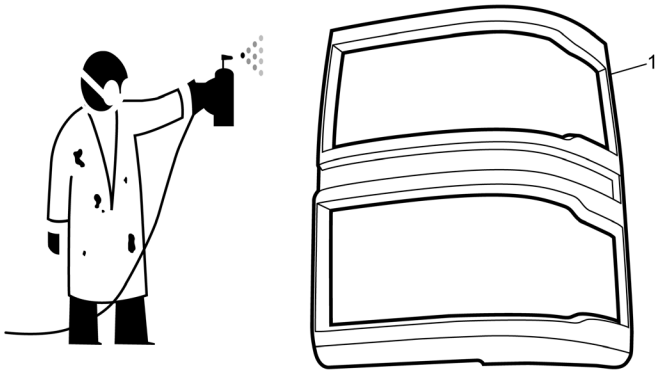
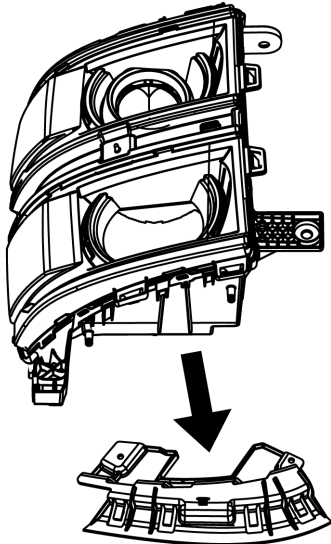


Front Headlamp Painted Bezels for 2015 Light Duty Pick Ups.

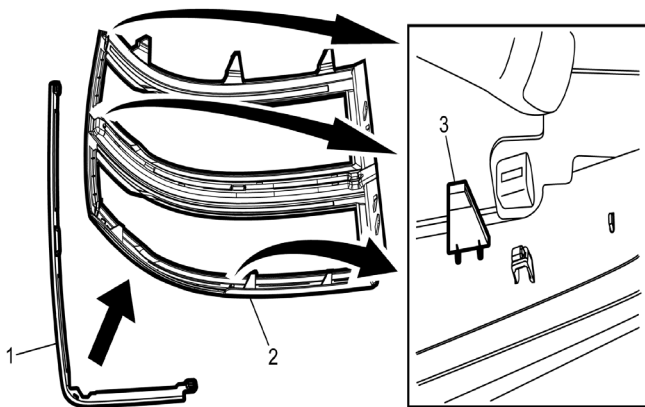
Note: This procedure is for Light Duty Pick Ups only.



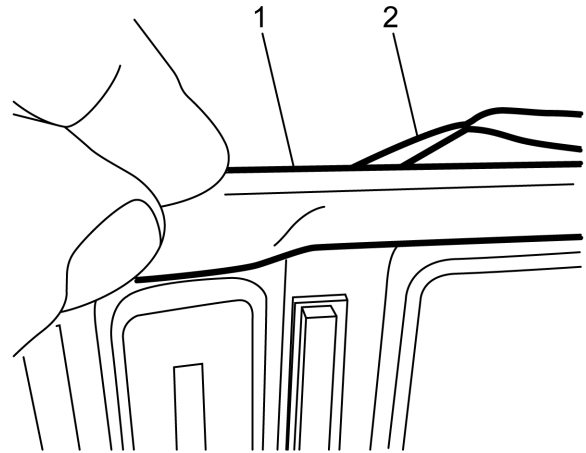
1. Prep and refinish the bezel assembly (1).
2. Remove the headlamp assembly. Refer to Vehicle Service Manual.



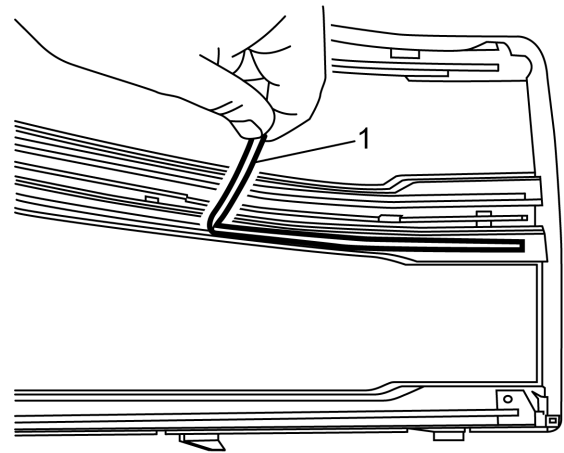
3. Remove bracket from headlamp assembly.



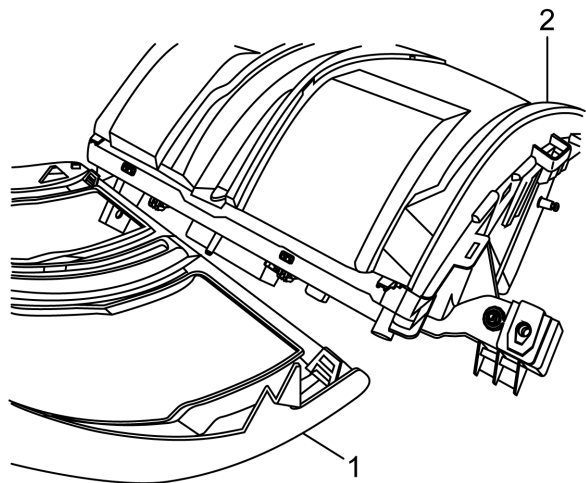
4. Align seal assembly (1) to bezel assembly (2) with pins (3).



5. Position seal (1) and peel backing (2) away.



6. Remove the backing strips (1).



7. Position bezel (1) on lamp (2).

Headlamp Kit

IR 08DE14

PART NO.

19330859

SHEET

1

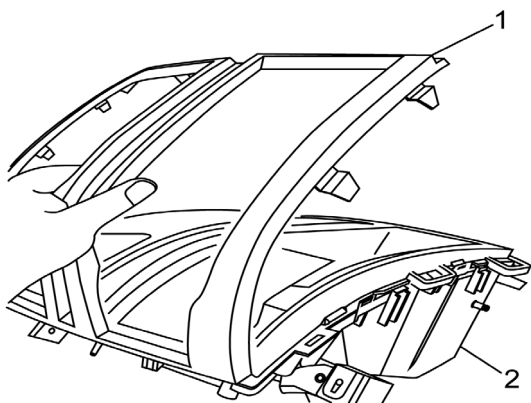
OF

6

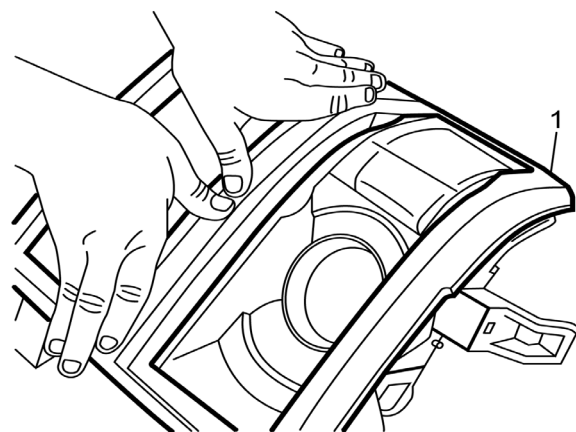
ALL INFORMATION WITHIN ABOVE BORDER TO BE PRINTED EXACTLY AS SHOWN ON 8.5 x 11 WHITE 16 POUND NON-BOND RECYCLABLE PAPER. PRINT ON BOTH SIDES, EXCLUDING TEMPLATES. TO BE UNITIZED IN ACCORDANCE WITH GM SPECIFICATIONS.

DATE	REVISION	AUTH	DR
08DE14	Initial Release - Randall Prusaitis	2250263	

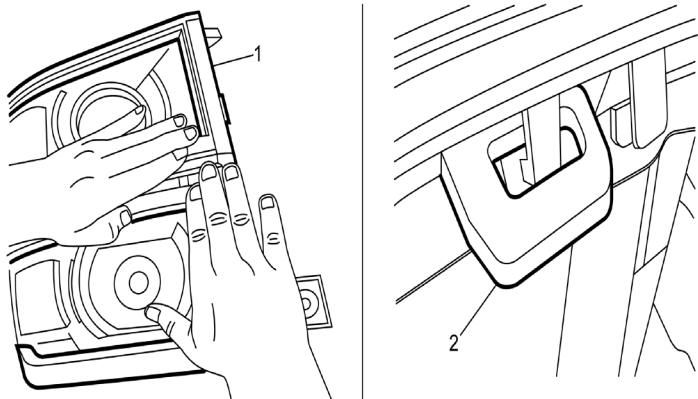
TITLE	INSTALLATION INSTRUCTIONS		
	Headlamp Kit		
PART NO.	19330859	SHEET	1 OF 6



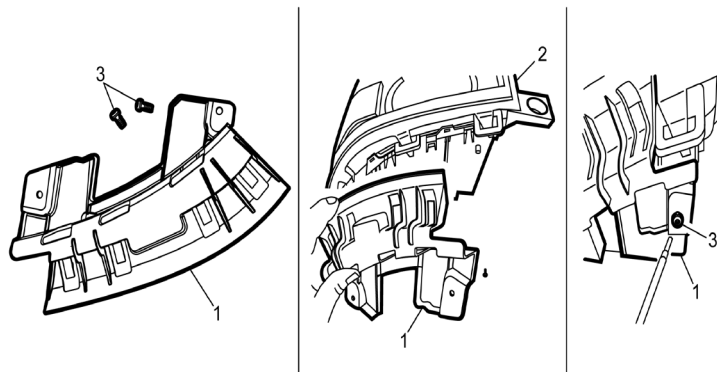
8. Rotate bezel (1) onto lamp (2).



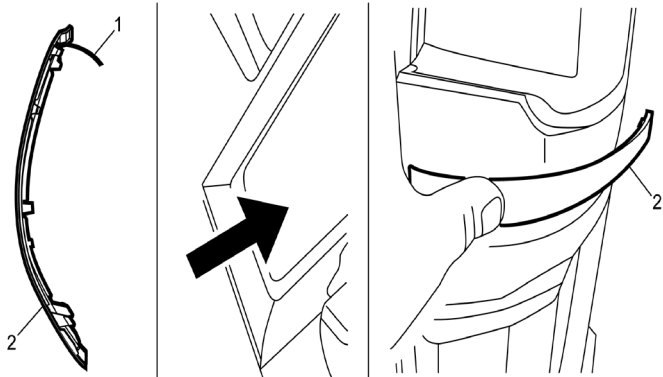
11. Press insert firmly to secure tape.



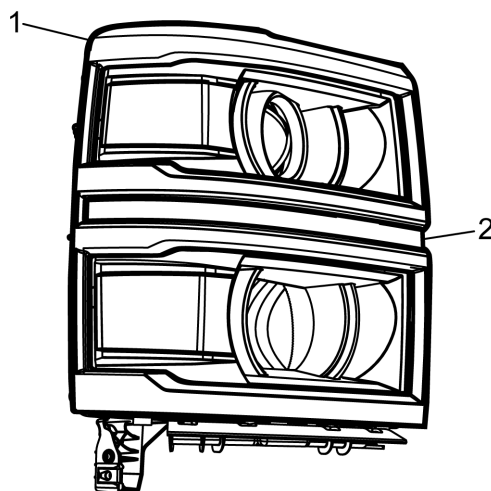
9. Press bezel (1) firmly to secure tape and lock tabs (2).



12. Re-install bracket (1) to lamp assembly (2) with the screws (3).



10. Remove tape (1) and position insert assembly (2).



13. Bezel (1) and insert (2) complete.

14. Reinstall headlamp assembly and aim headlamps. Refer to Vehicle Service Manual.

Headlamp Kit

IR 08DE14

PART NO.

19330859

SHEET **2** OF **6**

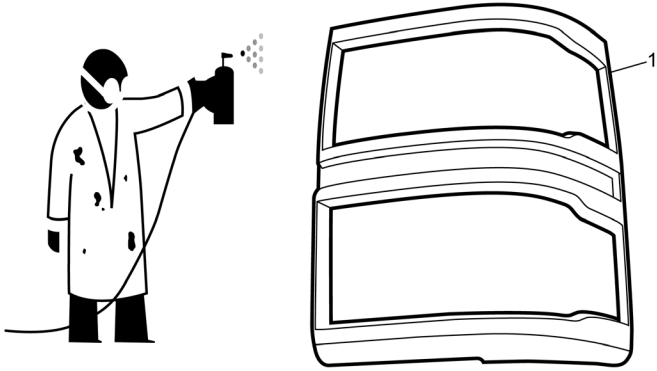
ALL INFORMATION WITHIN ABOVE BORDER TO BE PRINTED EXACTLY AS SHOWN ON 8.5 x 11 WHITE 16 POUND NON-BOND RECYCLABLE PAPER. PRINT ON BOTH SIDES, EXCLUDING TEMPLATES. TO BE UNITIZED IN ACCORDANCE WITH GM SPECIFICATIONS.

DATE	REVISION	AUTH	DR
08DE14	Initial Release - Randall Prusaitis	2250263	

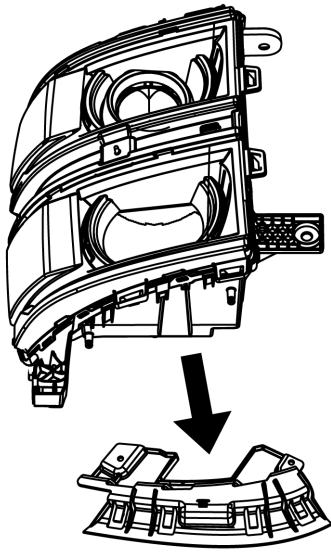
TITLE	INSTALLATION INSTRUCTIONS		
	Headlamp Kit		
PART NO.	19330859	SHEET	2 OF 6

Encadrements peints de phare avant pour camionnettes légères 2015

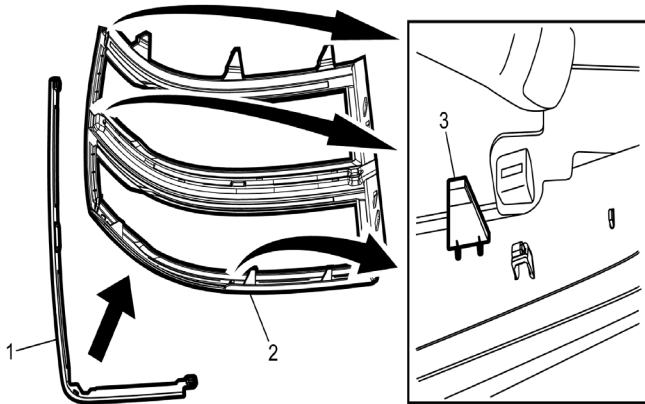
Remarque : Cette procédure concerne uniquement les camionnettes légères.



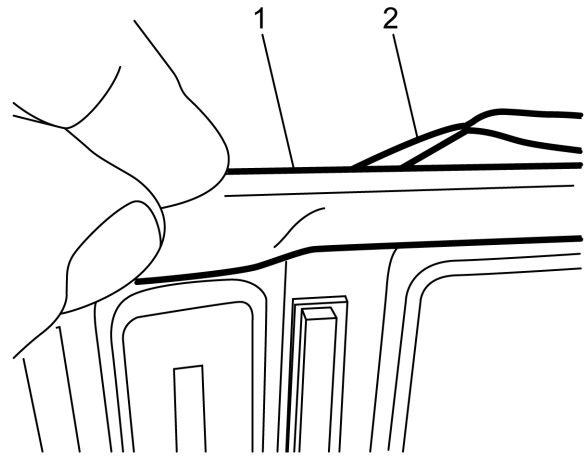
1. Préparer et revernir l'ensemble encadrement (1).
2. Déposer l'ensemble phare. Se référer au manuel d'entretien du véhicule.



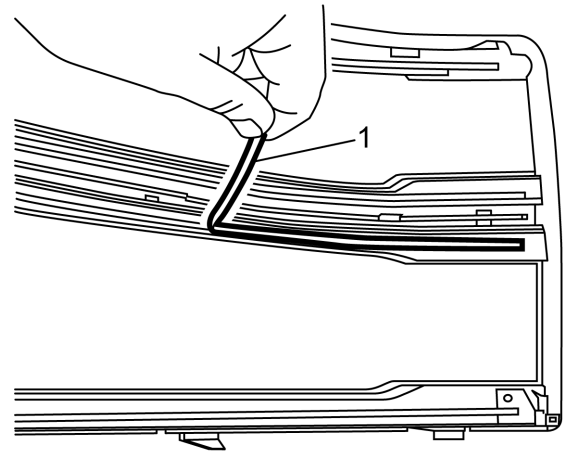
3. Déposer le support de l'ensemble phare.



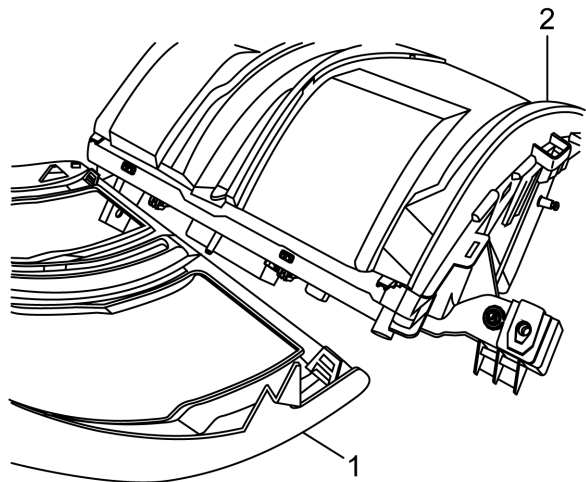
4. Aligner l'ensemble joint d'étanchéité (1) avec l'ensemble encadrement (2) au moyen des axes (3).



5. Placer le joint d'étanchéité (1) et retirer la pellicule protection (2).



6. Retirer les bandes de protections (1).



7. Placer l'encadrement (1) sur la lampe (2).

Headlamp Kit

IR 08DE14

PART NO.

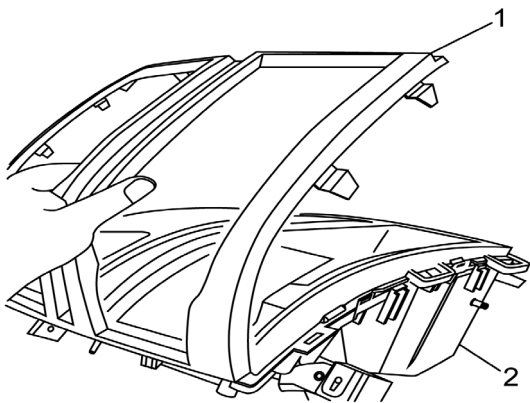
19330859

SHEET **3** OF **6**

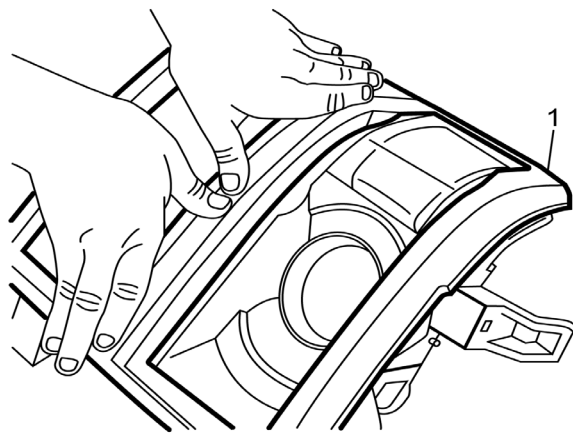
ALL INFORMATION WITHIN ABOVE BORDER TO BE PRINTED EXACTLY AS SHOWN ON 8.5 x 11 WHITE 16 POUND NON-BOND RECYCLABLE PAPER. PRINT ON BOTH SIDES, EXCLUDING TEMPLATES. TO BE UNITIZED IN ACCORDANCE WITH GM SPECIFICATIONS.

DATE	REVISION	AUTH	DR
08DE14	Initial Release - Randall Prusaitis	2250263	

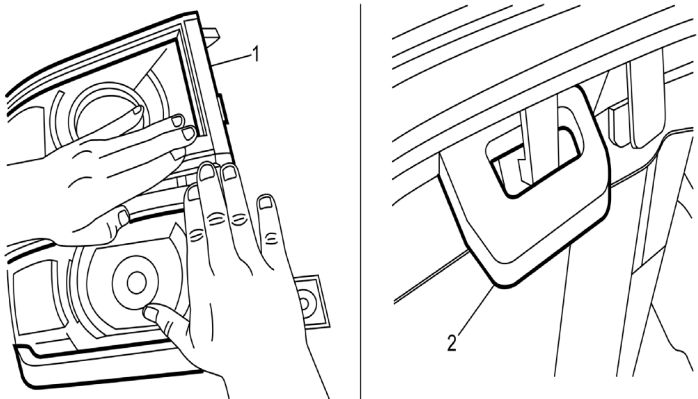
TITLE	INSTALLATION INSTRUCTIONS		
Headlamp Kit			
PART NO.	19330859	SHEET	3 OF 6



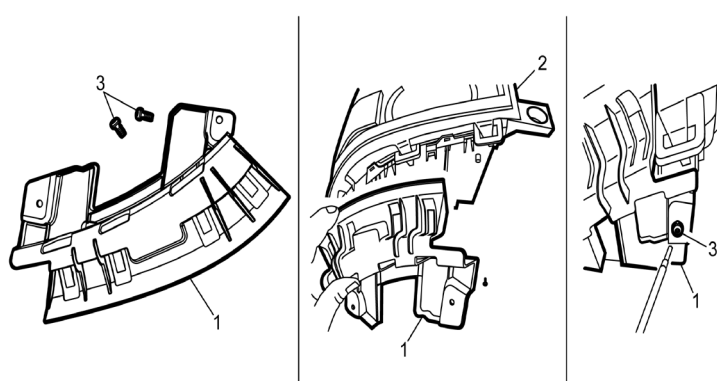
8. Faire tourner l'encadrement (1) sur la lampe (2).



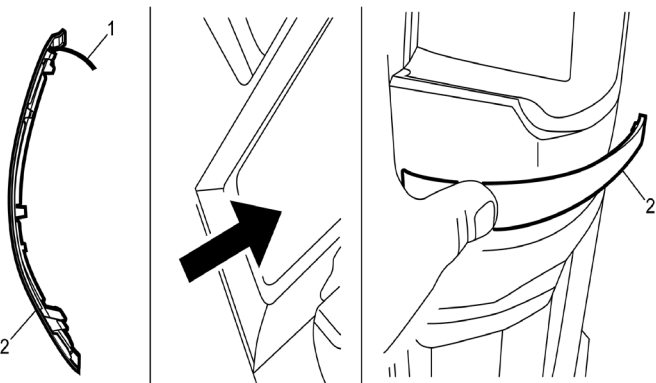
11. Presser fermement la pièce encastrée pour assurer l'adhérence du ruban adhésif.



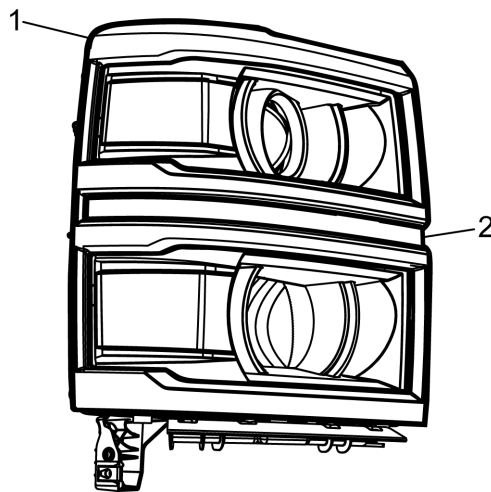
9. Presser fermement l'encadrement (1) pour assurer l'adhérence du ruban adhésif et pour engager les languettes (2).



12. Reposer le support (1) sur l'ensemble phare (2) avec les vis (3).



10. Retirer le ruban adhésif (1) et placer l'ensemble pièce encastrée (2).



13. Encadrement (1) et pièce encastrée (2) en place.

14. Reposer l'ensemble phare et orienter les phares. Se référer au manuel d'entretien du véhicule.

Headlamp Kit

IR 08DE14

PART NO.

19330859

SHEET

4

OF

6

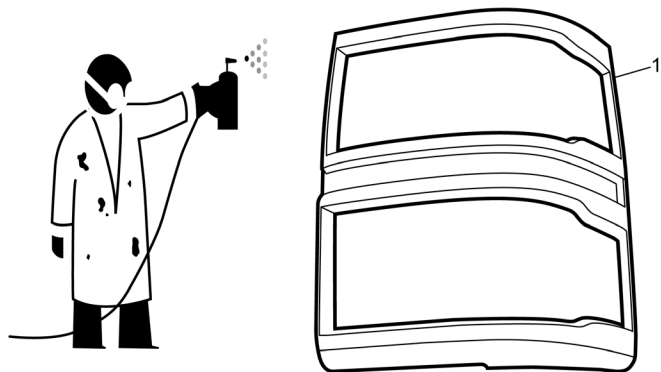
ALL INFORMATION WITHIN ABOVE BORDER TO BE PRINTED EXACTLY AS SHOWN ON 8.5 x 11 WHITE 16 POUND NON-BOND RECYCLABLE PAPER. PRINT ON BOTH SIDES, EXCLUDING TEMPLATES. TO BE UNITIZED IN ACCORDANCE WITH GM SPECIFICATIONS.

DATE	REVISION	AUTH	DR
08DE14	Initial Release - Randall Prusaitis	2250263	

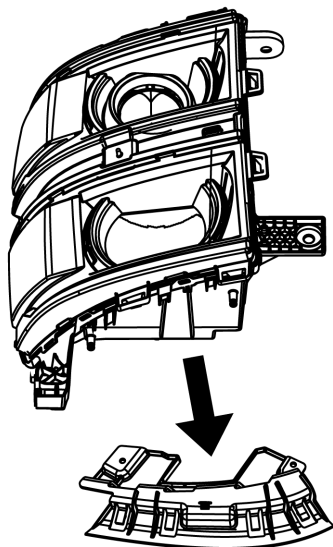
TITLE	INSTALLATION INSTRUCTIONS		
Headlamp Kit			
PART NO.	19330859	SHEET	4 OF 6

Biseles pintados de faro delantero para Pickups de servicio ligero 2015

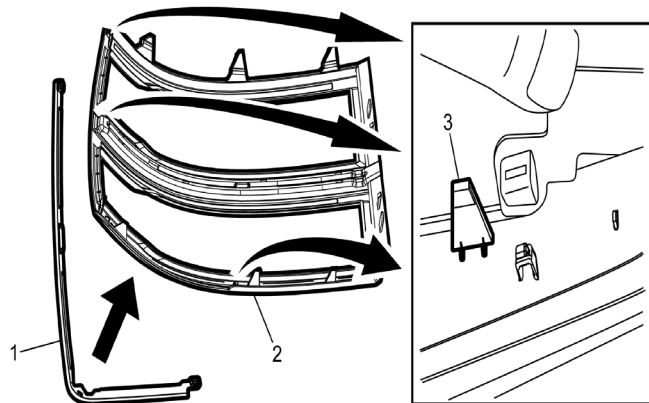
Nota: Este procedimiento es sólo para Pickups de servicio ligero.



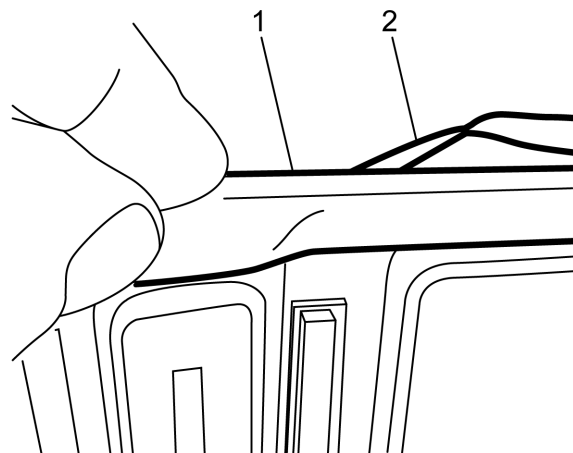
1. Prepare y vuelva a acabar el ensamblaje del bisel (1).
2. Retire el ensamblaje del faro. Consulte el manual de servicio del vehículo



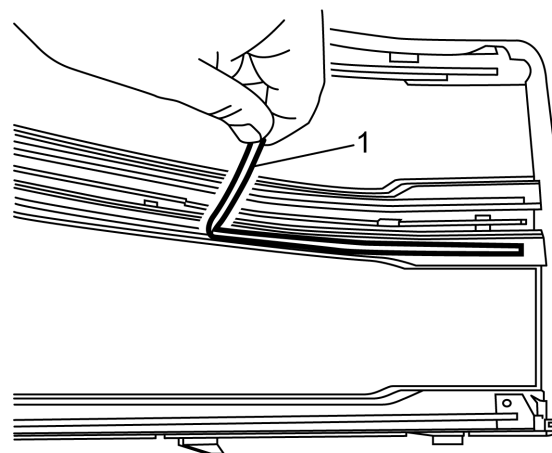
3. Retire el soporte del ensamblaje del faro.



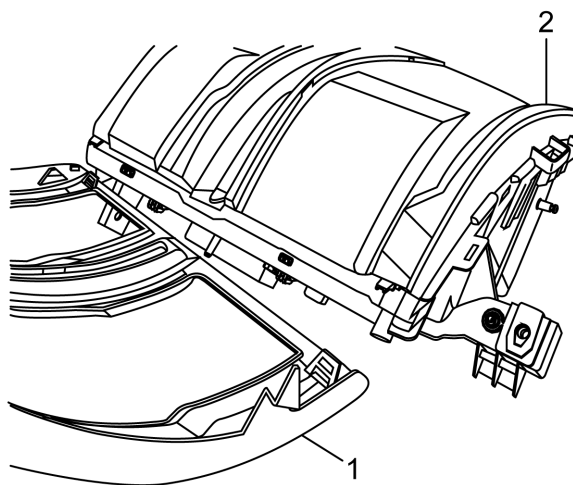
4. Alinee el ensamblaje del sello (1) al ensamblaje del bisel (2) con pasadores (3).



5. Coloque el sello (1) y desprenda el respaldo (2).



6. Retire las cintas de respaldo (1).



7. Coloque el bisel (1) sobre la luz (2).

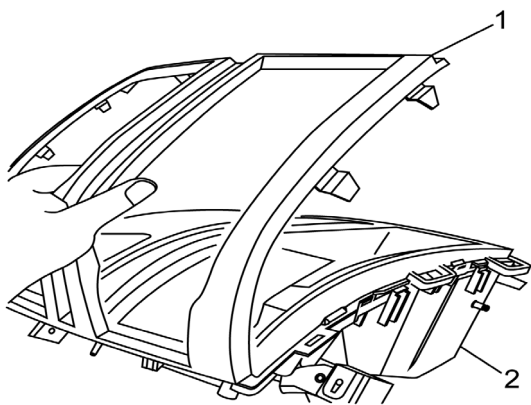
Headlamp Kit

IR 08DE14 PART NO. **19330859** SHEET **5** OF **6**

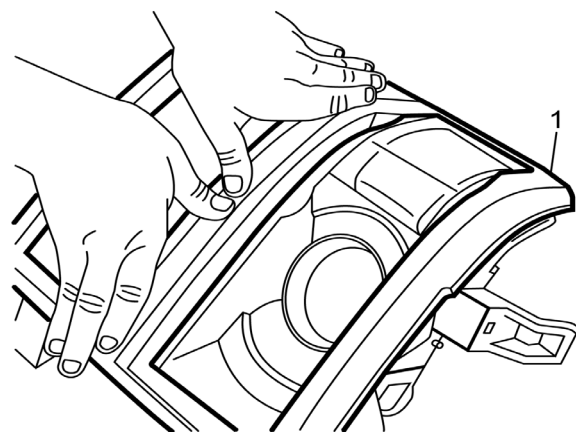
ALL INFORMATION WITHIN ABOVE BORDER TO BE PRINTED EXACTLY AS SHOWN ON 8.5 x 11 WHITE 16 POUND NON-BOND RECYCLABLE PAPER. PRINT ON BOTH SIDES, EXCLUDING TEMPLATES. TO BE UNITIZED IN ACCORDANCE WITH GM SPECIFICATIONS.

DATE	REVISION	AUTH	DR
08DE14	Initial Release - Randall Prusaitis	2250263	

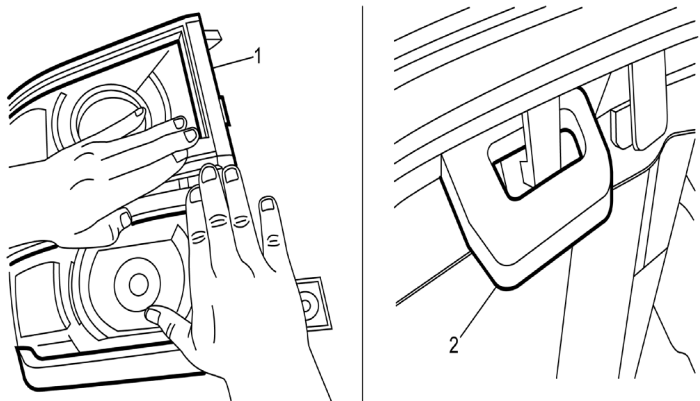
TITLE	INSTALLATION INSTRUCTIONS		
Headlamp Kit			
PART NO.	19330859	SHEET	5 OF 6



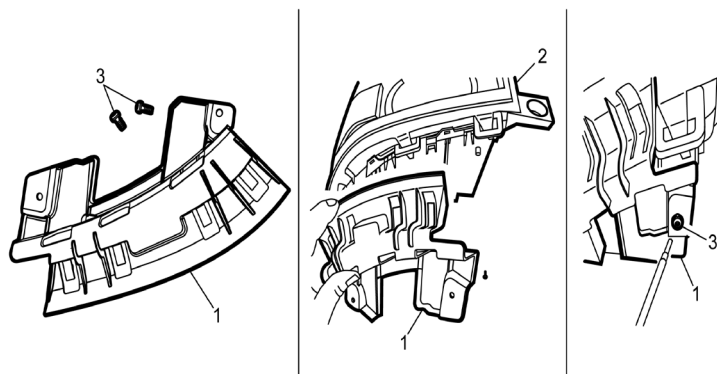
8. Gire el bisel (1) sobre la luz (2).



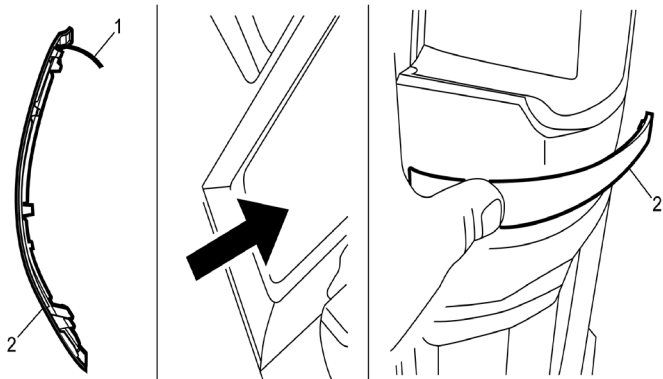
11. Inserte a presión firmemente para asegurar la cinta.



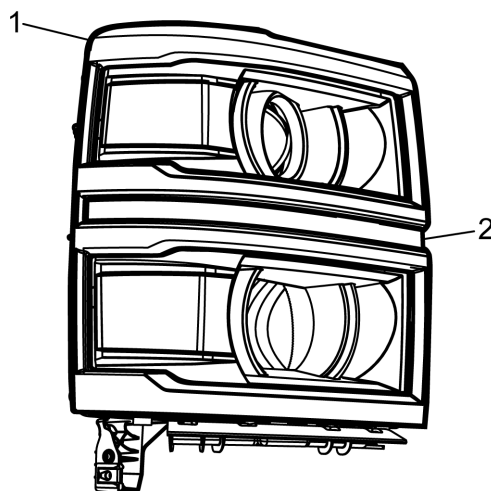
9. Presione el bisel (1) firmemente para asegurar la cinta y lengüetas de bloqueo (2).



12. Vuelva a instalar el soporte (1) al ensamble de la luz (2) con los tornillos (3).



10. Retire la cinta (1) y coloque el ensamble de inserto (2).



13. Bisel (1) e inserto (2) completos.

14. Vuelva a instalar el ensamble del faro y apunte los faros. Consulte el manual de servicio del vehículo

Headlamp Kit

IR 08DE14

PART NO.

19330859

SHEET

6

OF

6

ALL INFORMATION WITHIN ABOVE BORDER TO BE PRINTED EXACTLY AS SHOWN ON 8.5 x 11 WHITE 16 POUND NON-BOND RECYCLABLE PAPER. PRINT ON BOTH SIDES, EXCLUDING TEMPLATES. TO BE UNITIZED IN ACCORDANCE WITH GM SPECIFICATIONS.

DATE	REVISION	AUTH	DR
08DE14	Initial Release - Randall Prusaitis	2250263	

TITLE	INSTALLATION INSTRUCTIONS		
	Headlamp Kit		
PART NO.	19330859	SHEET	6 OF 6