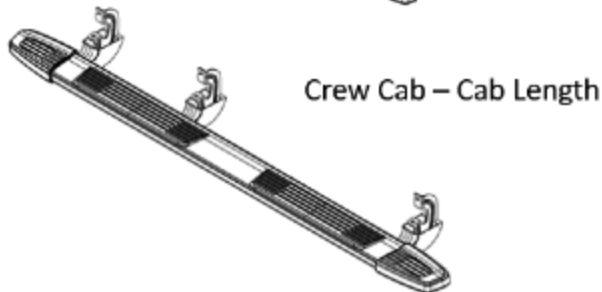
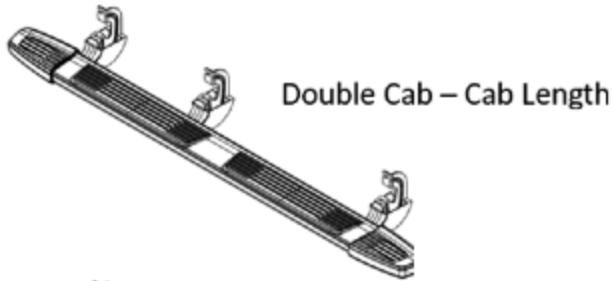


Assist Step Kit Installation (Tubular Oval Instruction ID: 84066569)

Installation Instructions Part Number

84066569



© 2026 General Motors. All rights reserved.



Kit Contents

Item	Description	Qty: LD & HD Regular Cab Cab Length	Qty: LD & HD Double Cab Cab Length	Qty: LD Double Cab Wheel to Wheel	Qty: LD & HD Crew Cab Cab Length	Qty: LD Crew Cab Wheel to Wheel

Item	Description	Qty: LD & HD Regular Cab Cab Length	Qty: LD & HD Double Cab Cab Length	Qty: LD Double Cab Wheel to Wheel	Qty: LD & HD Crew Cab Cab Length	Qty: LD Crew Cab Wheel to Wheel
1	Step Assembly Driver Side	1	1	1	1	1
2	Step Assembly Passenger Side	1	1	1	1	1
3	M8 Bolt	8	12	16	12	16
4	Instruction Sheet	1	1	1	1	1

Torque Table

8mm Hardware torque to 25N•m (18 lb ft)

Tools Required

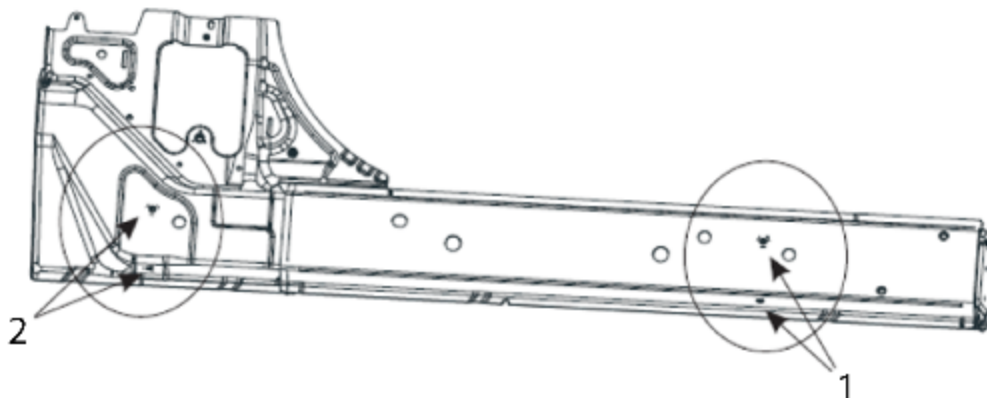
- Torque Wrench
- 13mm Socket
- 3/8" drive Ratchet
- 3" 3/8" drive extension

Note: Read entire instruction sheet thoroughly before starting.

Note: Determine left hand and right hand tubular assist steps.

Caution: Use the correct fastener in the correct location. Replacement fasteners must be the correct part number for that application. Fasteners requiring replacement or fasteners requiring the use of thread locking compound or sealant are identified in the service procedure. Do not use paints, lubricants, or corrosion inhibitors on fasteners or fastener joint surfaces unless specified. These coatings affect fastener torque and joint clamping force and may damage the fastener. Use the correct tightening sequence and specifications when installing fasteners in order to avoid damage to parts and systems.

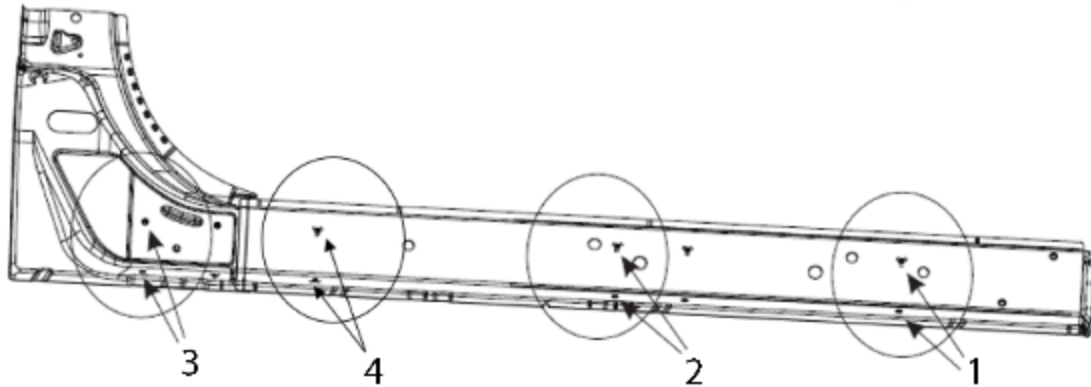
Bracket Positions (Left Hand Side Shown, Right Hand Side Opposite)



1. Regular Cab:

Note: Remove plugs for weld nut access at positions indicated.

- 1.1. Location one (1).
- 1.2. Location two (2).

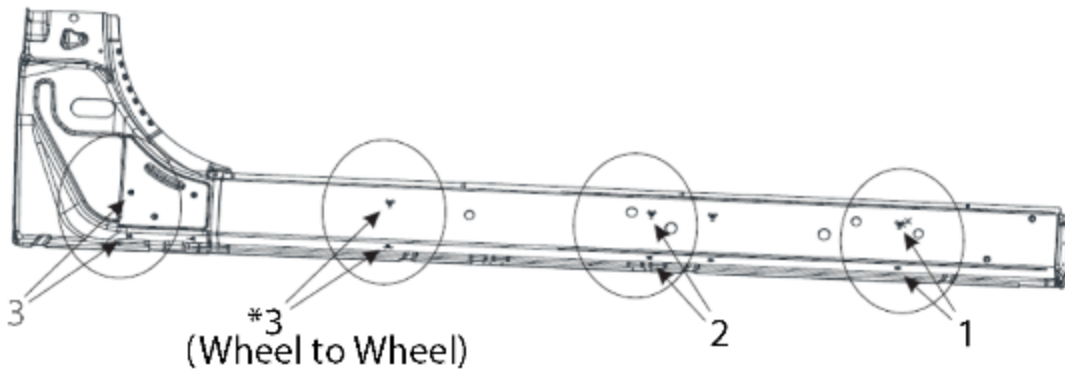


2. Extended Cab:

Note: Remove plugs for weld nut access at positions indicated.

- 2.1. Location one (1).
- 2.2. Location two (2).
- 2.3. Location three (3).
- 2.4. Location four (4). (**Wheel to Wheel**)

© 2026 General Motors. All rights reserved.

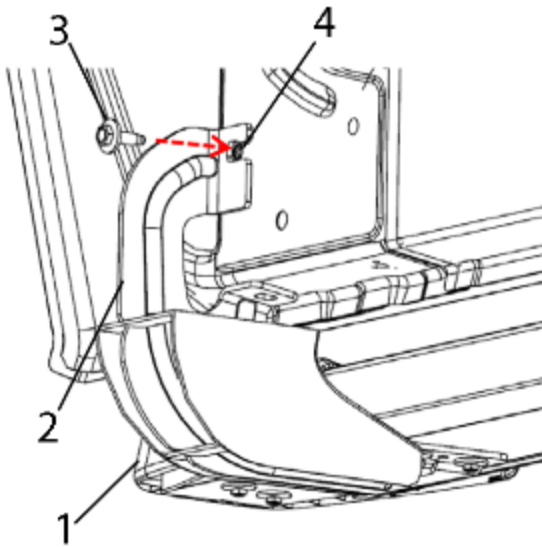


3. Crew Cab:

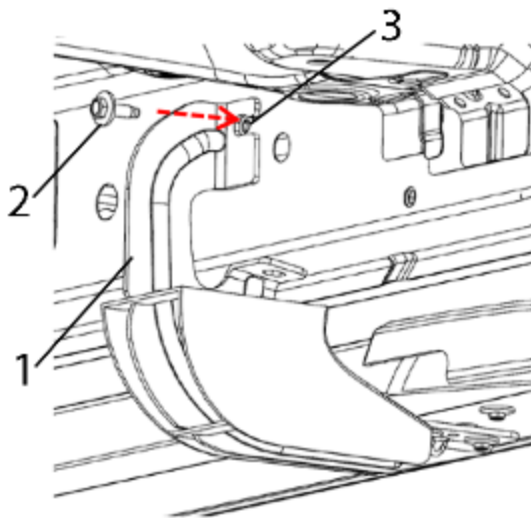
Note: Remove plugs for weld nut access at positions indicated.

- 3.1. Location one (1).
- 3.2. Location two (2).
- 3.3. Location three (3*). (***Wheel to Wheel**)
- 3.4. Location three (3).

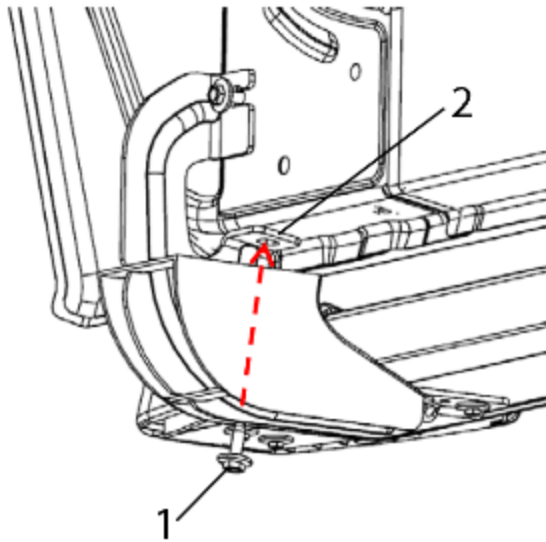
Procedure



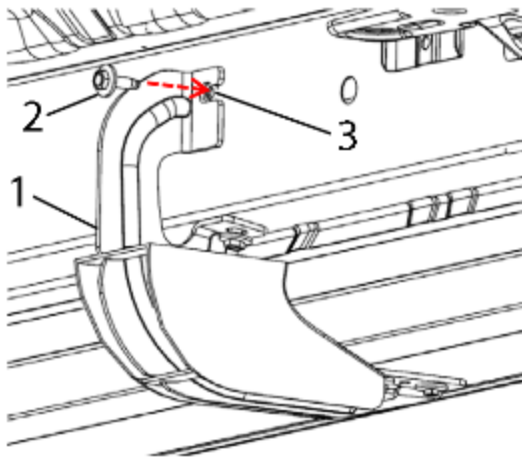
1. Position the left hand side assist step (1) to the rocker inner panel (configurations and hole locations shown in Bracket Positions Images) and secure by hanging the rear most bracket (2) with an M8 bolt (3) loosely installed into the rear weld nut (4).



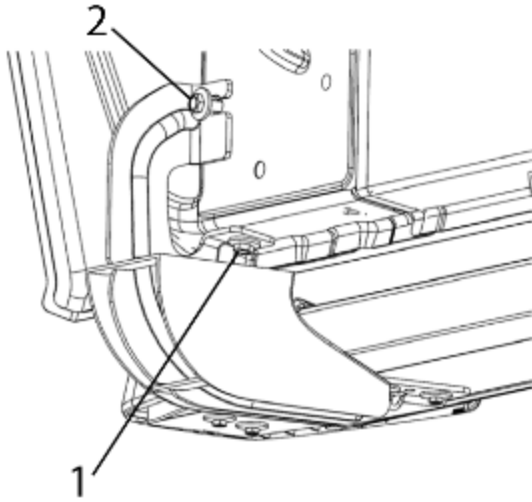
2. Position the front most bracket (1) to the weld nut (3) in the rocker inner panel and loosely secure with an M8 bolt (2).



3. From underneath, loosely insert M8 bolts (1) through bracket (2), rocker panel and into lower weld nuts.



4. Loosely insert the remaining M8 bolts (2) through bracket (1) and into weld nut (3) in upper rocker panel positions.



5. Tighten the M8 bolts (1) in lower positions to 25 N-m (18 lb ft).
6. Repeat previous step for the upper positions (2). Tighten bolts to 25 N-m (18 lb ft).
7. Repeat all previous steps for RH side tubular assist step assembly.
8. Verify correct torque on all hardware: