

## Folding Top Package Installation (Instruction ID: 85130342)

### Installation Instructions Part Number

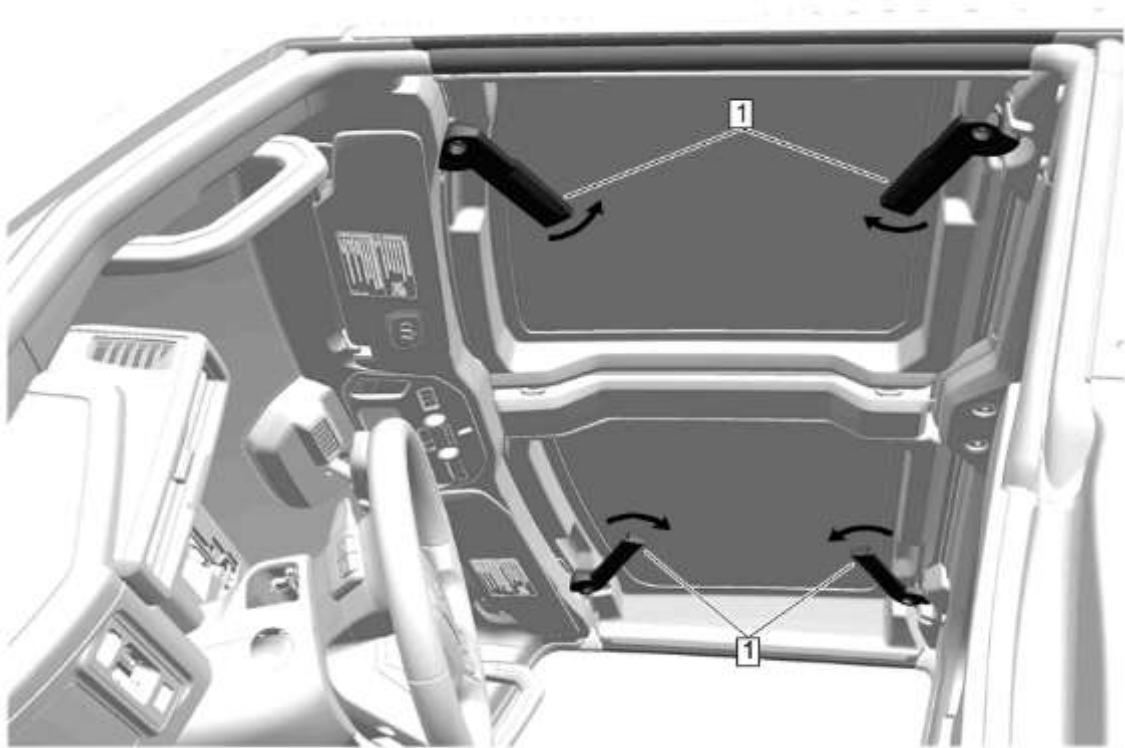
85130342

#### Kit Contents

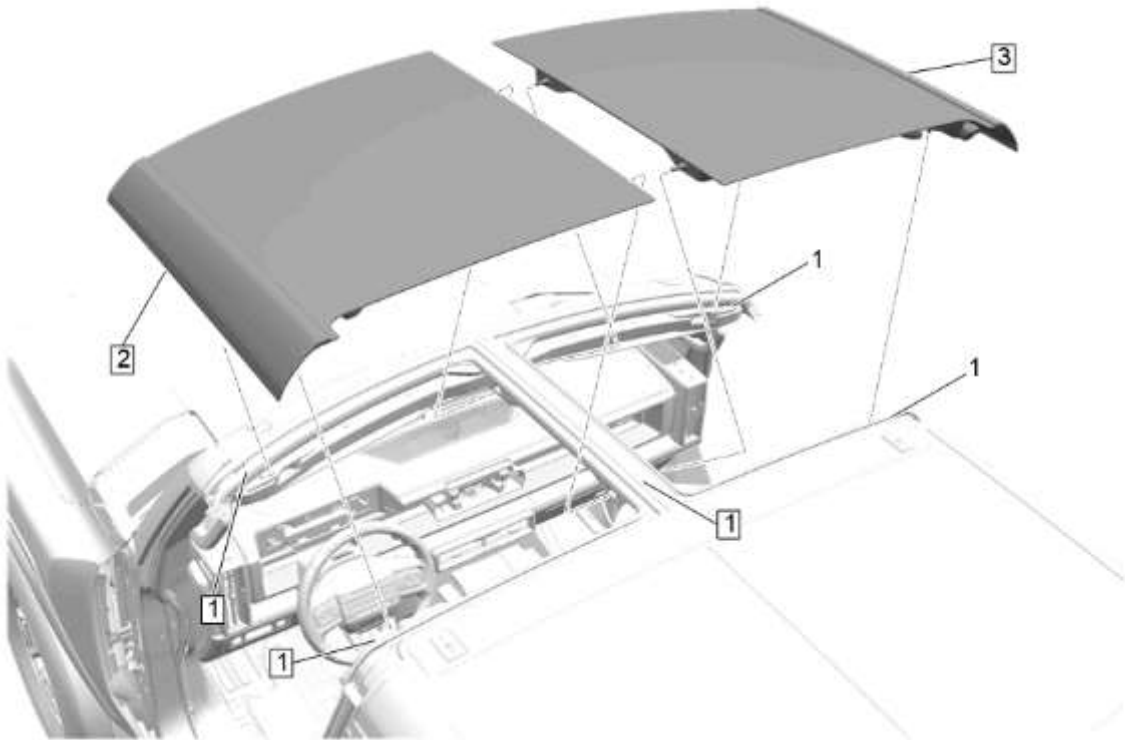
Qty	Description
1	Folding Top Assembly
2	Folding Top Front Screw 28mm
4	Rear Compression Bracket Screw 23mm
2	Rear Compression Bracket
1	Front Top Center Seal
1	Front Top Panel Support Removal Tool <b>Note:</b> Make sure this tool is given to customer.
1	Installation Instructions

© 2025 General Motors. All rights reserved.

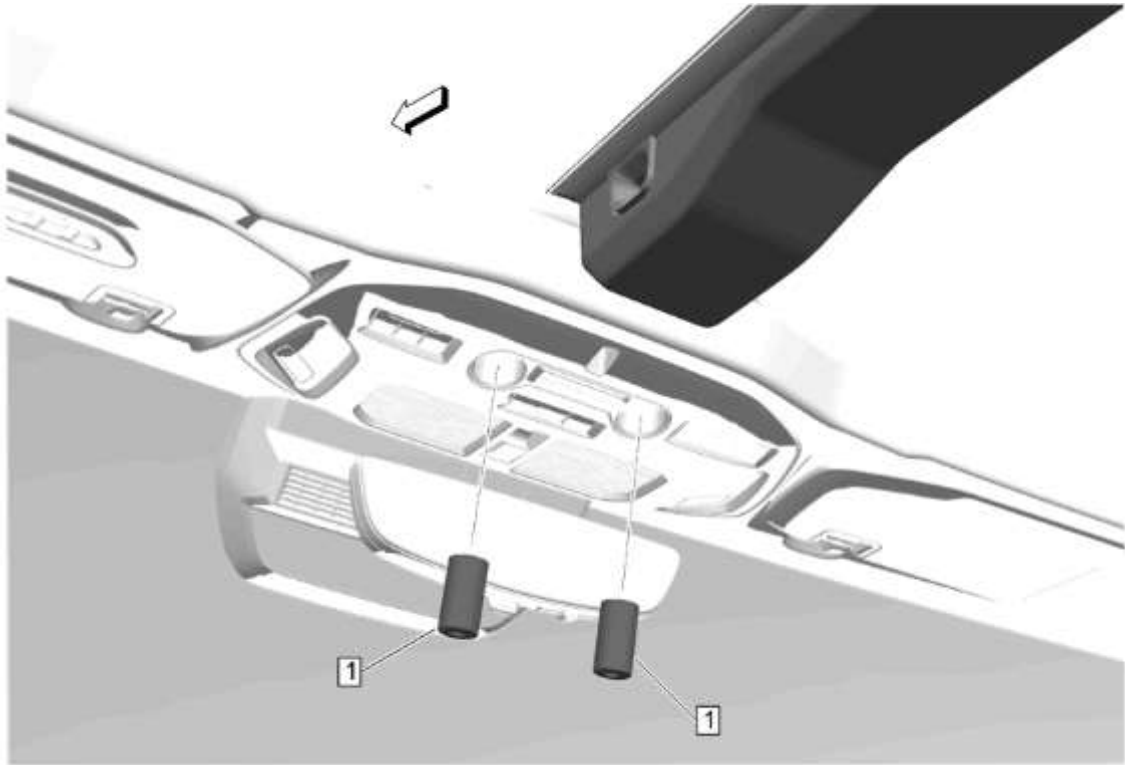
### Procedure



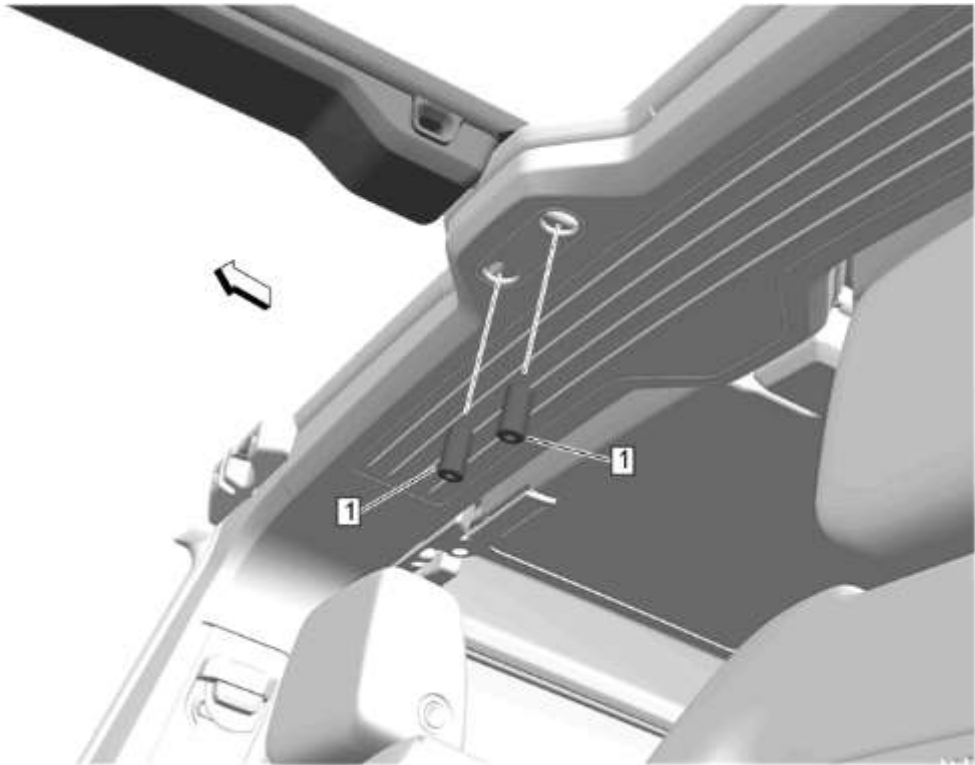
1. Disengage the latches (1) for the front top panels.



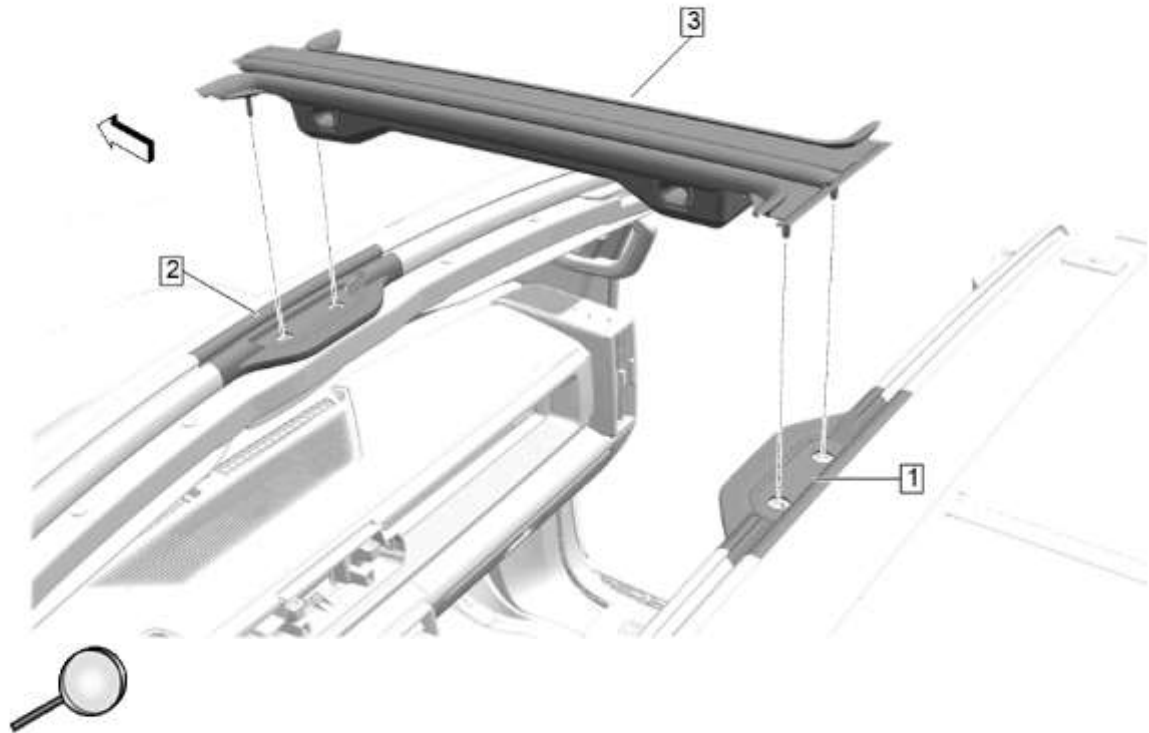
2. Carefully lift up and remove the front top panels (2), (3) from the panel mount areas (1) and place panels in the front hood bags in eTrunk..



3. Remove and retain the front nuts (1) from the front top panel support using removal tool provided in glovebox.

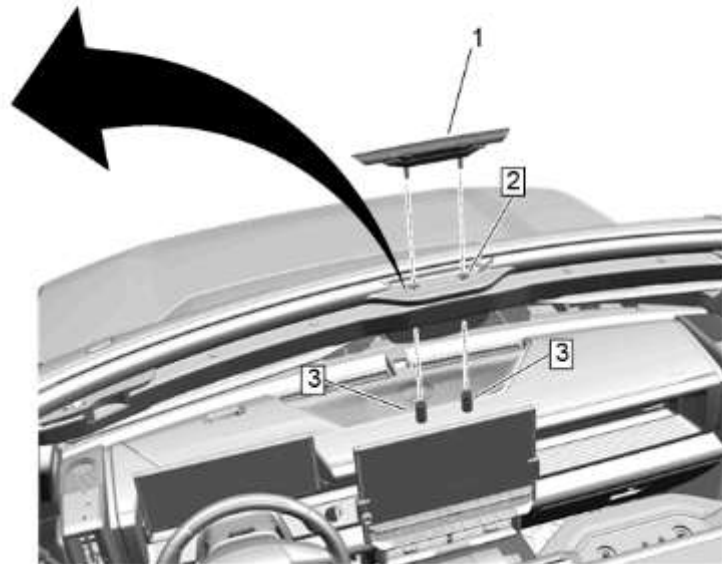
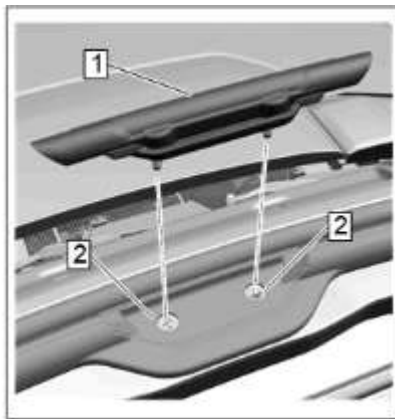


4. Remove and retain the rear nuts (1) from the front top panel support using removal tool provided in glovebox.



© 2025 General Motors. All rights reserved.

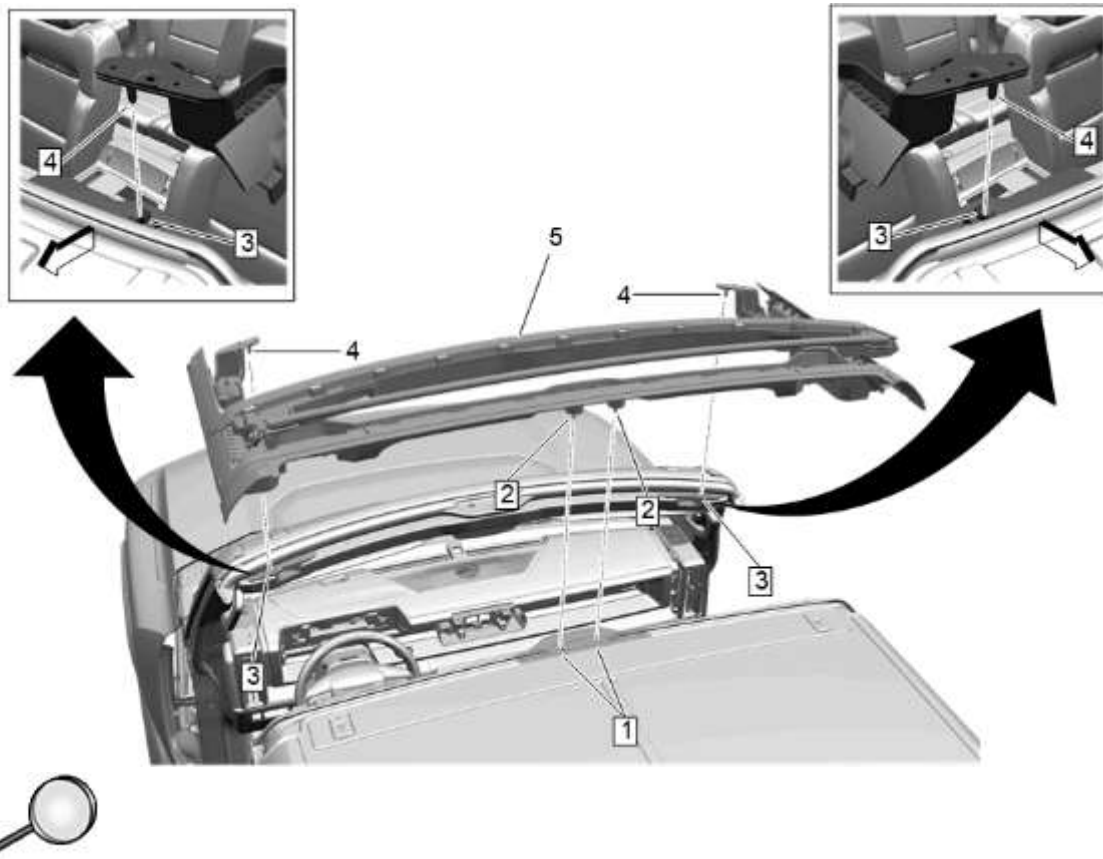
5. Carefully lift up and remove the front top panel support (3) from the mounting areas (1), (2).



6. Install the front center seal (1) by aligning the threaded studs to the holes (2) in the upper windshield structure area.

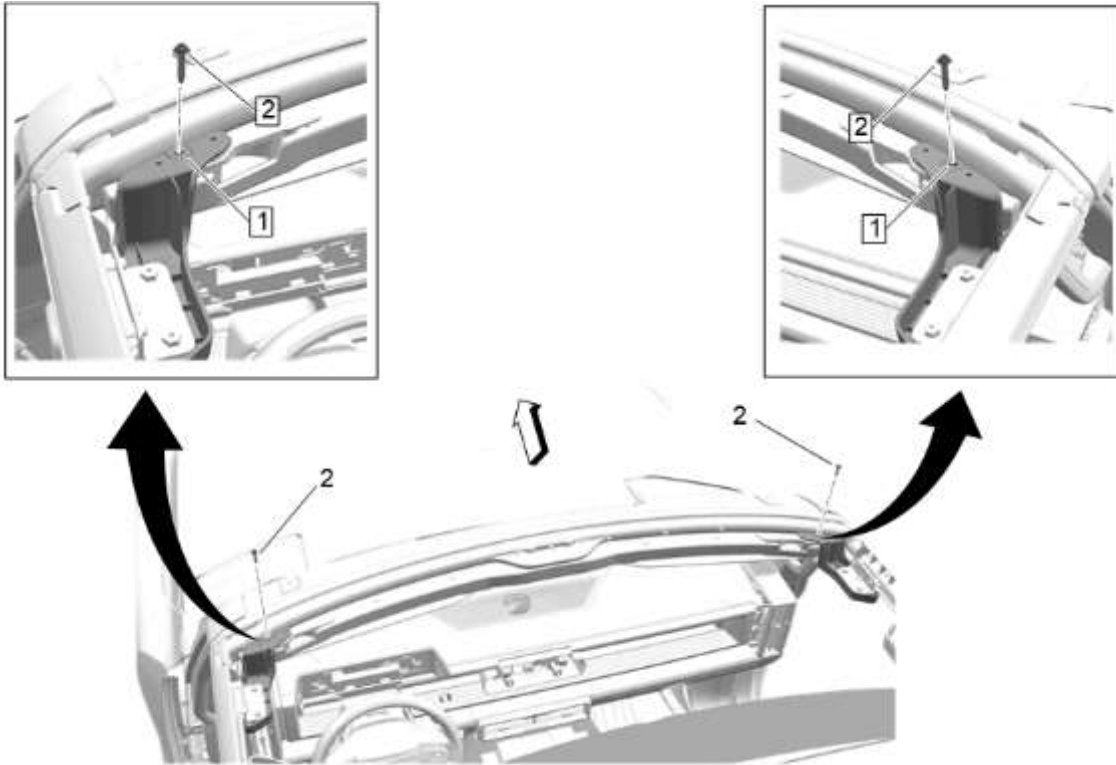
**Caution:** Use the correct fastener in the correct location. Replacement fasteners must be the correct part number for that application. Fasteners requiring replacement or fasteners requiring the use of thread locking compound or sealant are identified in the service procedure. Do not use paints, lubricants, or corrosion inhibitors on fasteners or fastener joint surfaces unless specified. These coatings affect fastener torque and joint clamping force and may damage the fastener. Use the correct tightening sequence and specifications when installing fasteners in order to avoid damage to parts and systems.

7. Install the previously retained front nuts (3) to the threaded studs on the front center seal (1). Tighten the nuts to 6 N.m (55 lb in).

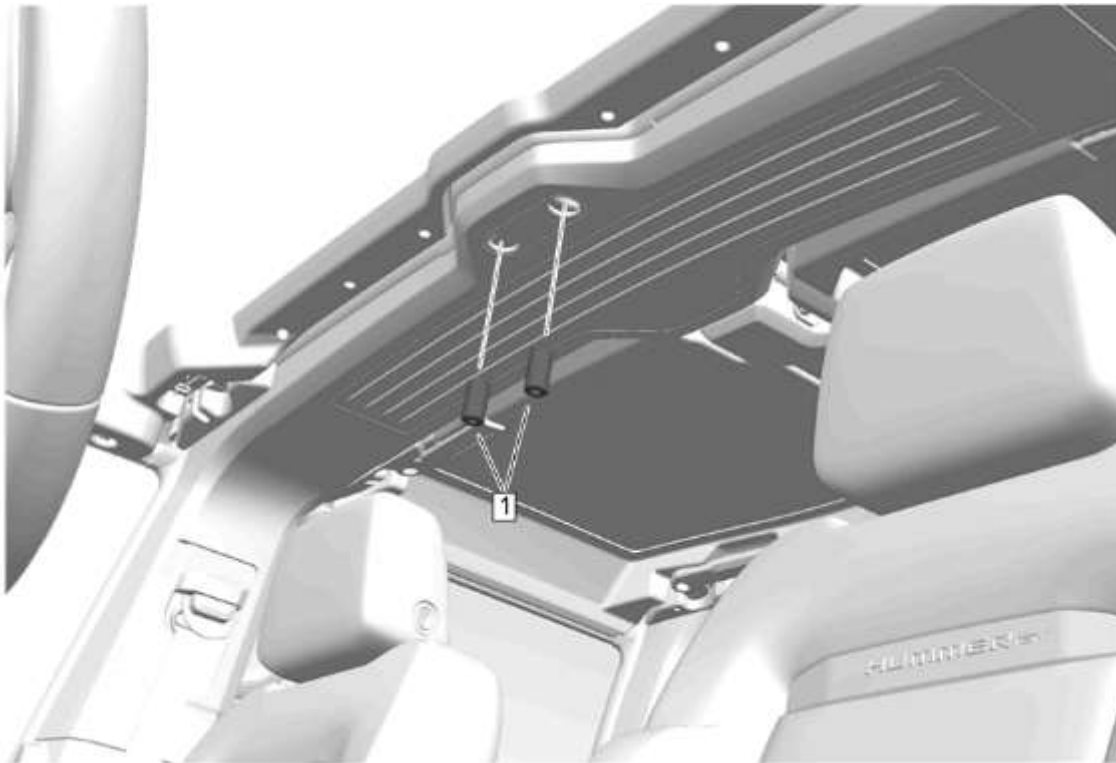


**Note:** It is recommended to install the folding top assembly with the aid of an assistant.

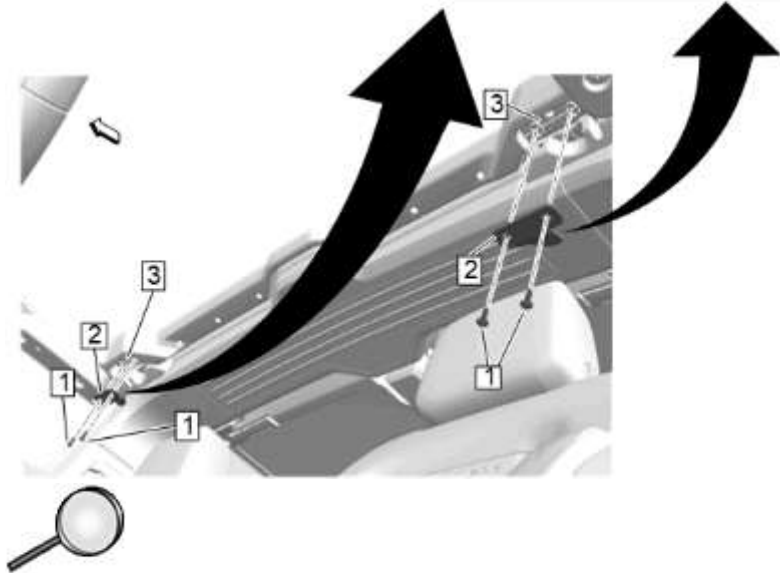
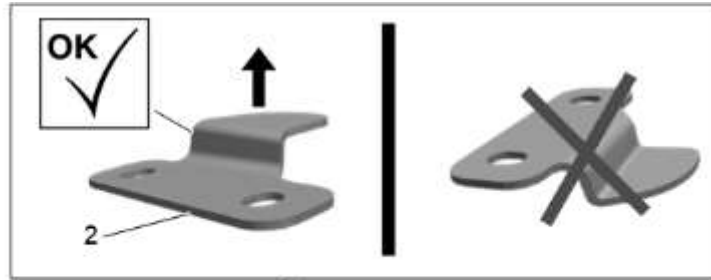
8. In the open position and with the aid of an assistant, place folding top assembly (5) on top of the vehicle and align front guide pins (4) to the front receiver holes (3) and rear studs (2) to the rear holes (1).



9. Install the 28mm screws (2) to the folding top brackets (1). Tighten the screws to 6 N.m (55 lb in).



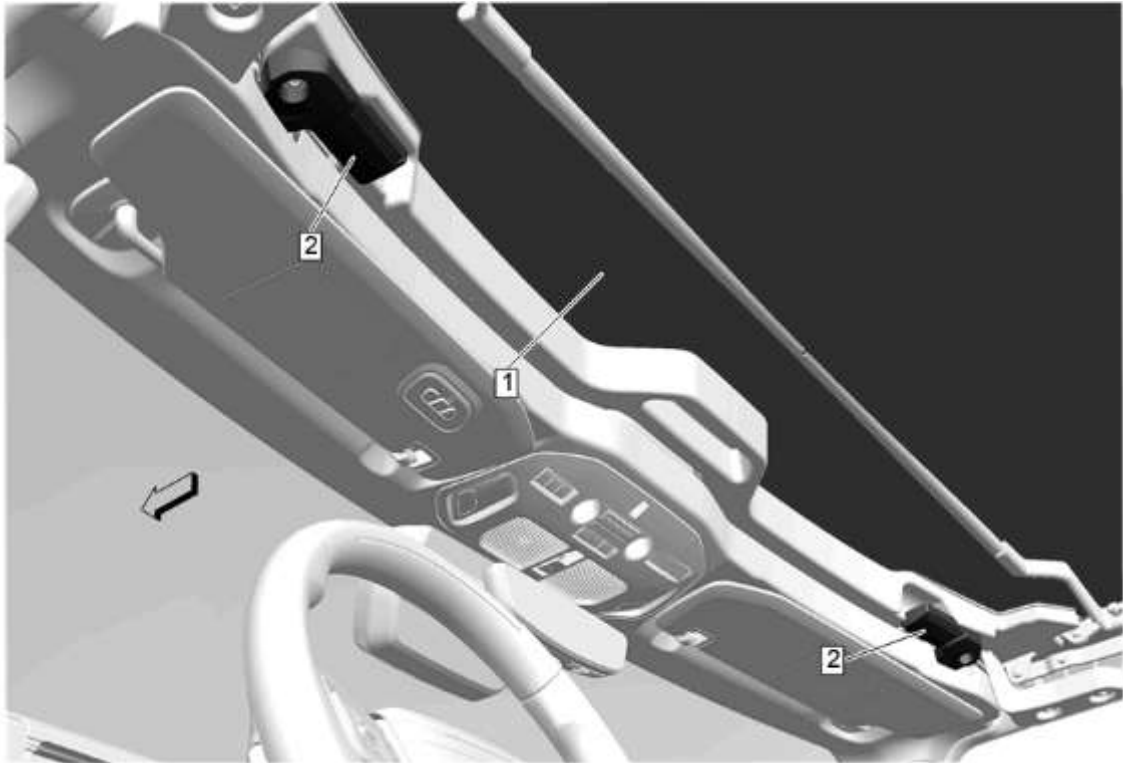
10. Install the previously retained nuts (1) to the rear center of folding top. Tighten the nuts to 6 N.m (55 lb in).



© 2025 General Motors. All rights reserved.

**Note:** Make sure compression brackets (2) are installed in the correct orientation.

11. From inside the vehicle, install the compression brackets (2) and 23mm screws (1) to the folding top assembly (3). Tighten the screws to 4 N.m (35 lb in).



12. Close the folding top (1) and confirm that both latches (2) are tight and secured to the front receivers.



**Note:** If the kit is equipped with velcro straps, it is recommended to secure the top with the straps (1) when driving over 60MPH with the top in open position.