

Body Accessory Trim Package Installation

[Installation Instructions Part Number](#)

23169794

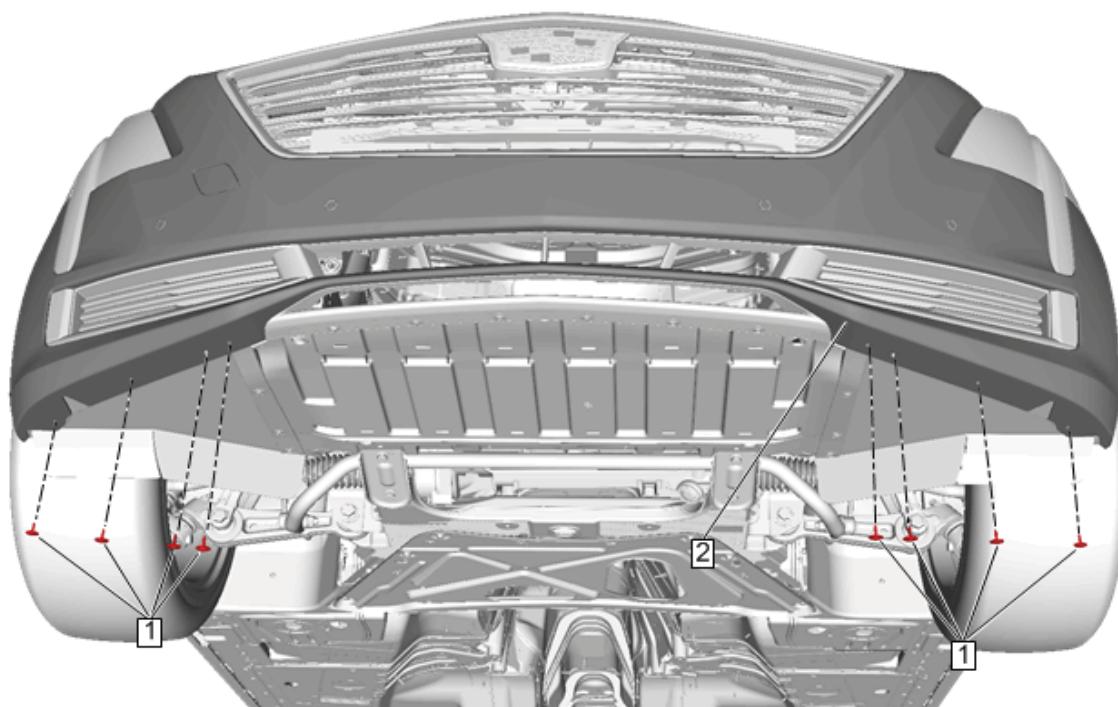
[Tools Required](#)

- Power Drill
- Safety Glasses
- 5mm Drill Bit
- 8mm Drill Bit

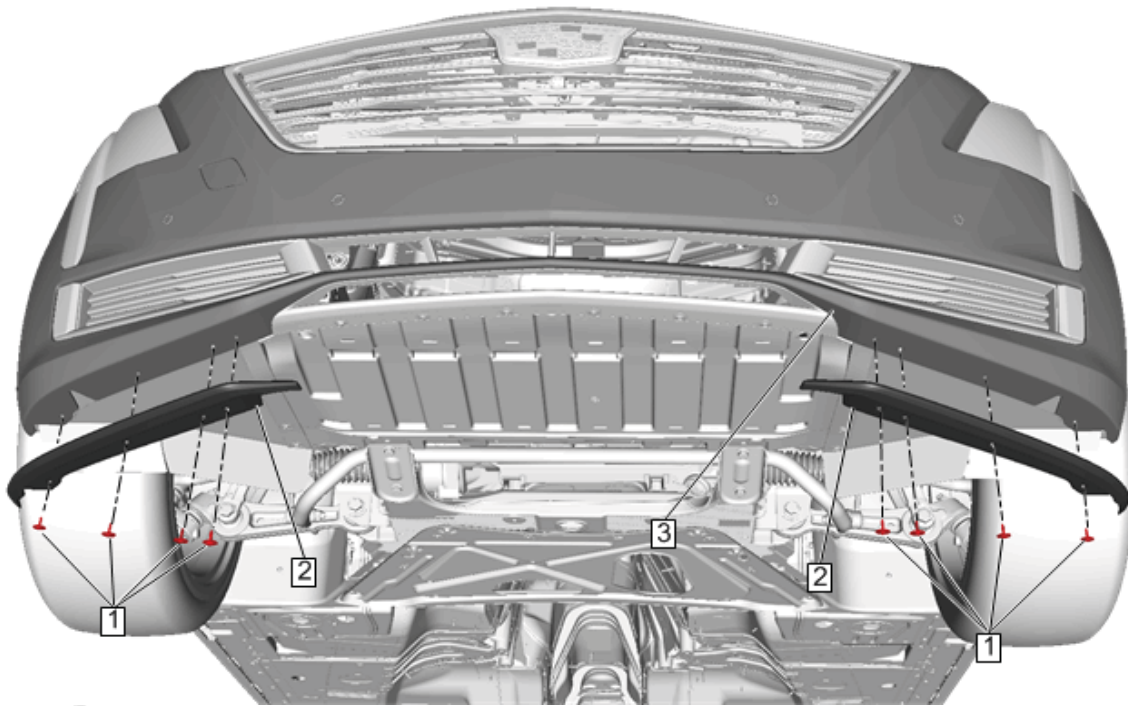
Note: Carefully read and understand instructions and components completely before beginning installation.

[Procedure](#)

Front Extensions



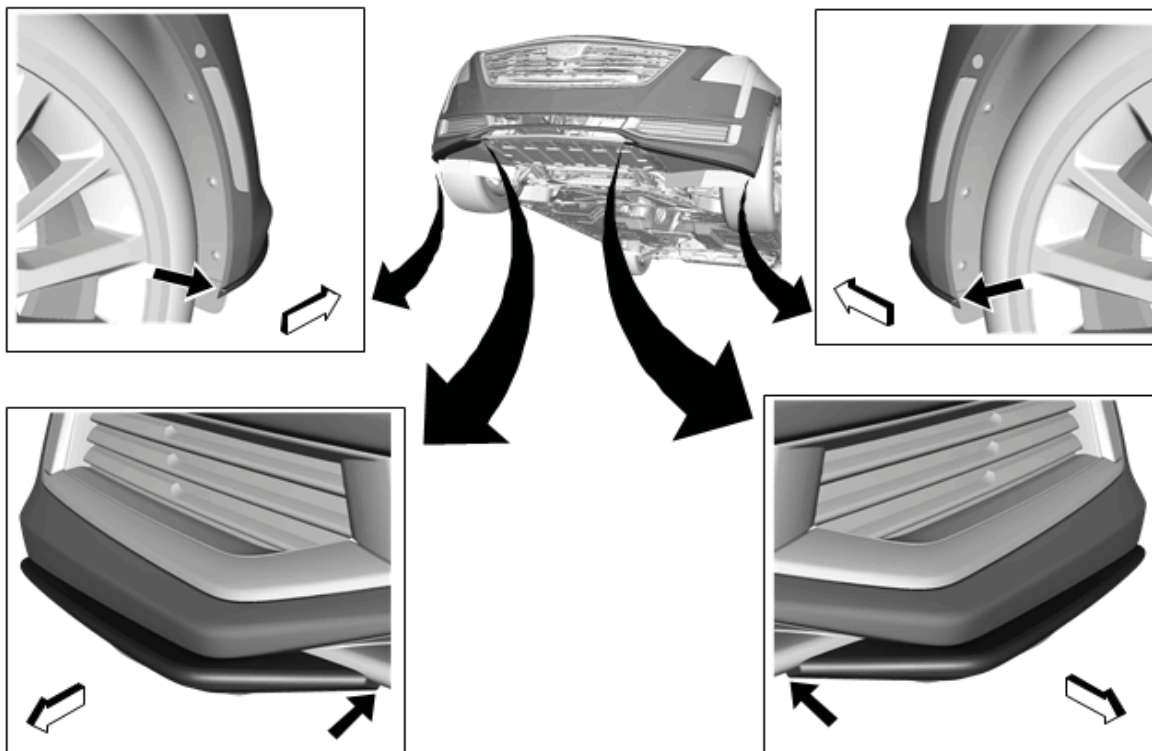
1. Raise and suitably support the vehicle. Refer to Vehicle Service Manual.
2. Remove and discard the screws (1) under the LH and RH corners of the front fascia (2).



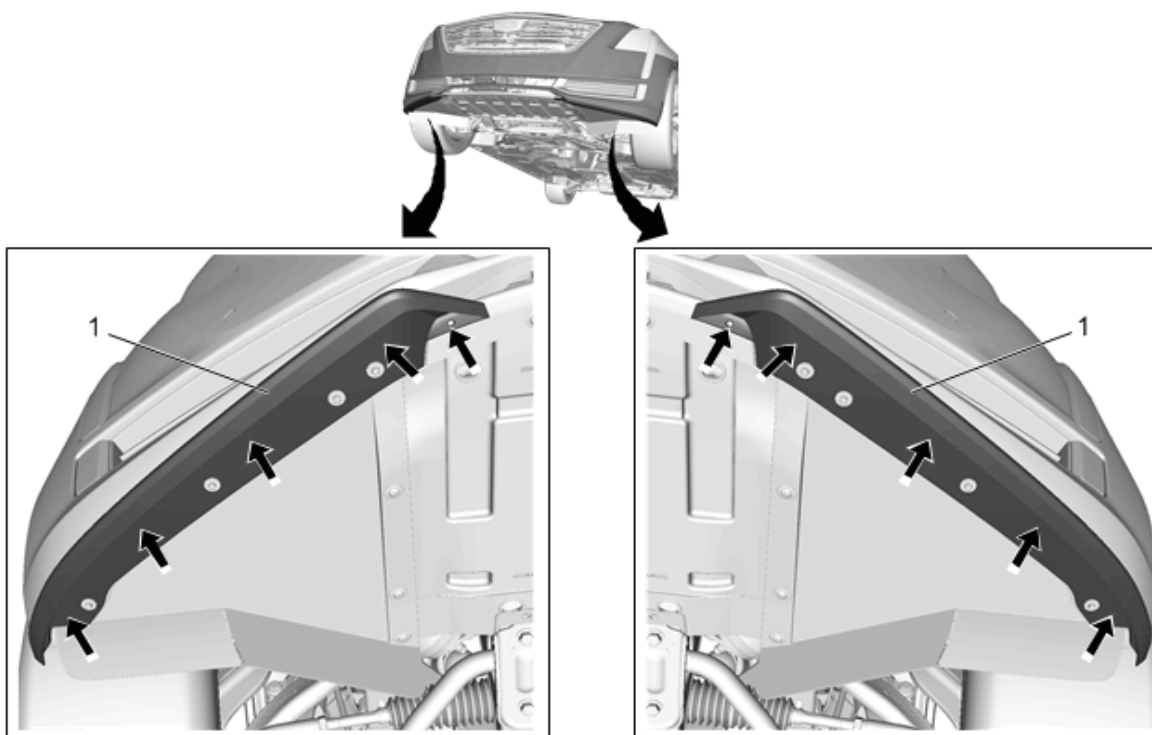
3. Clean the lower corners of the front fascia (1).

Caution: Use the correct fastener in the correct location. Replacement fasteners must be the correct part number for that application. Fasteners requiring replacement or fasteners requiring the use of thread locking compound or sealant are identified in the service procedure. Do not use paints, lubricants, or corrosion inhibitors on fasteners or fastener joint surfaces unless specified. These coatings affect fastener torque and joint clamping force and may damage the fastener. Use the correct tightening sequence and specifications when installing fasteners in order to avoid damage to parts and systems.

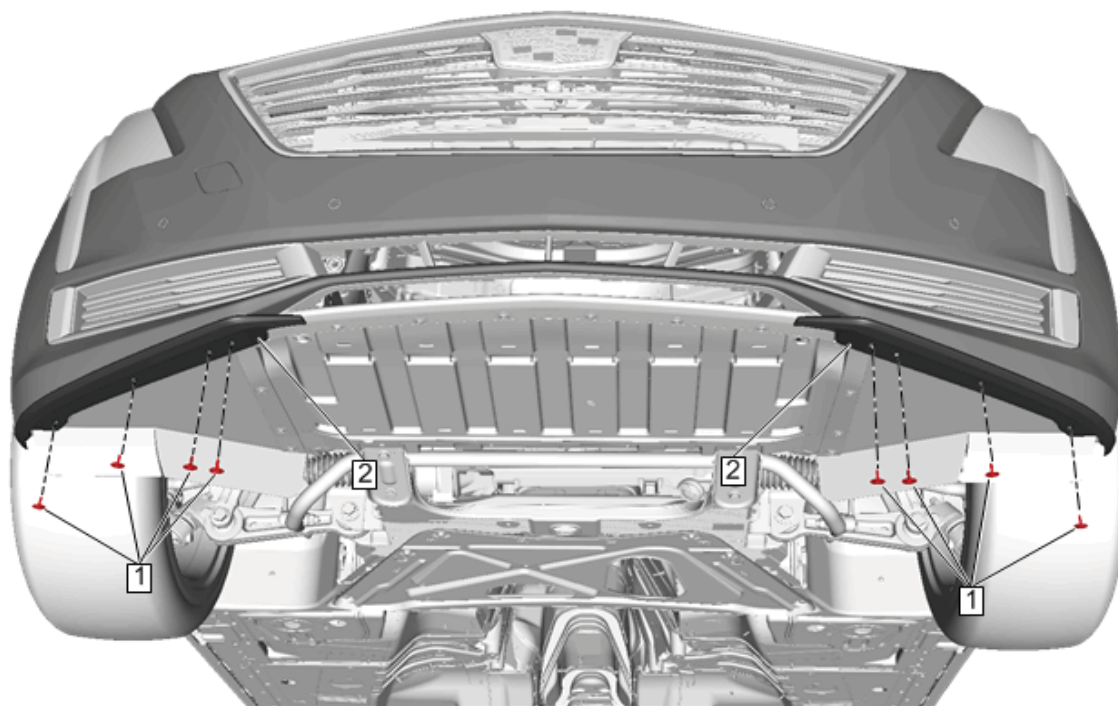
4. Loosely attach the front extension (2) in place with the provided screws (1).
5. Making sure the front extension is properly aligned, tighten the screws, starting with the most inboard and moving outboard.



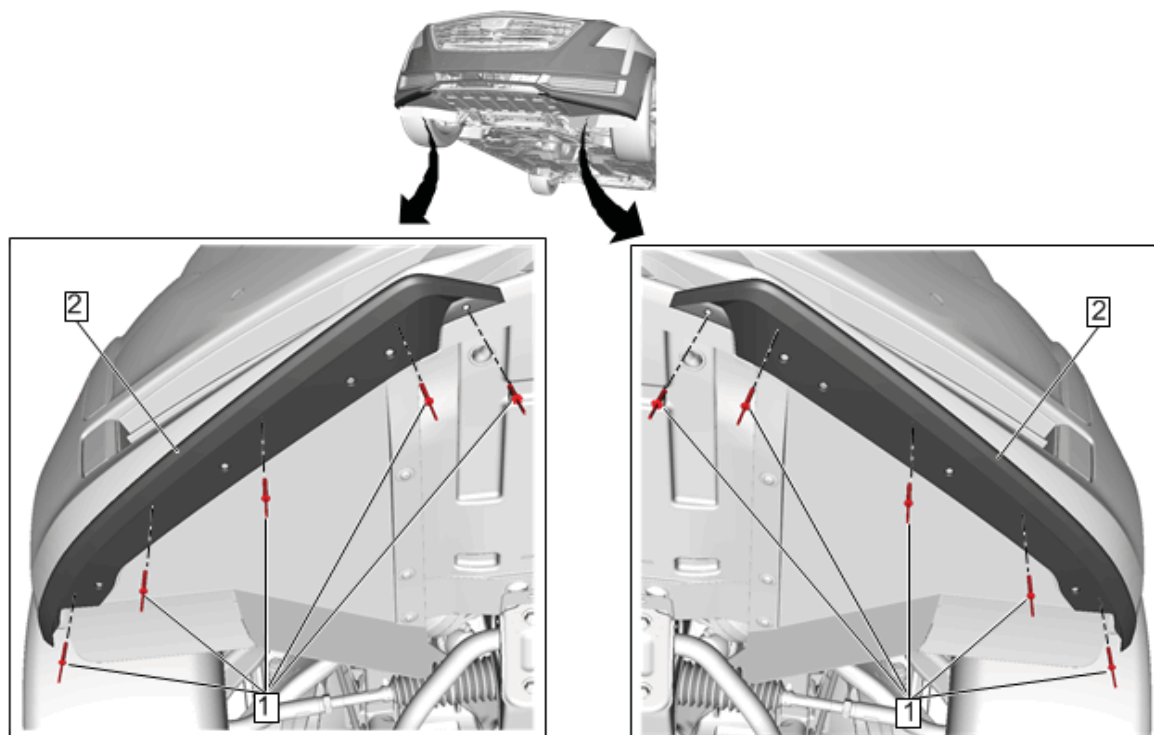
6. Check for proper alignment of the front extension. Adjust and tighten screws as needed.



7. Drill five holes in the designated locations using a 5mm drill bit through the front extension (1) into the front fascia.



8. Temporarily remove the screws (1) holding the front extension (2).



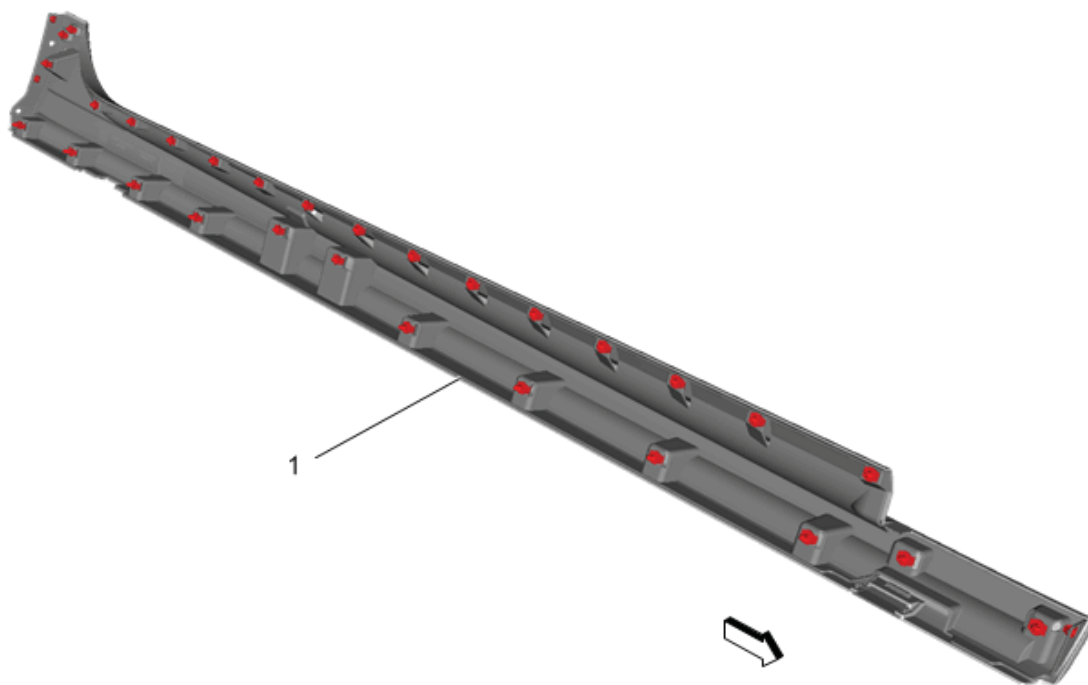
9. Making sure the front extension (2) is properly aligned, attach the front extension with five rivets (1), starting with the most inboard and moving outward.

Note: Press up on the under body closeout panel to keep the rivet from going through this panel.

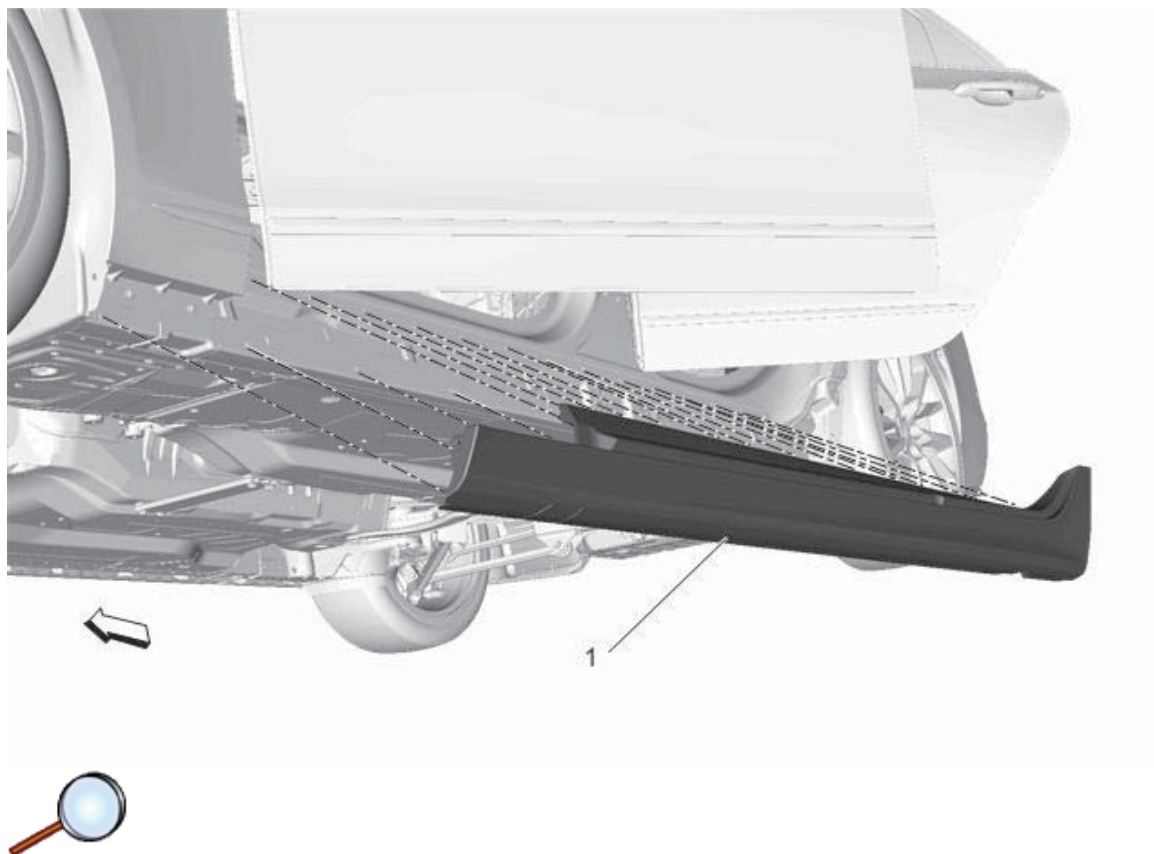
10. Reinstall the screws to the front extension.

11. Check for proper alignment of the front extension. Adjust and tighten the screws as needed.

Accessory Rocker Moldings (direct replacement)



1. Remove the production rocker moldings. Refer to Vehicle Service Manual.
2. Inspect the attachment holes for deformations. Repair as needed.
3. Inspect the accessory rocker moldings (1) to make sure each clip is properly positioned on the backside of the part.



Note: The following steps are best performed with the aid of an assistant.

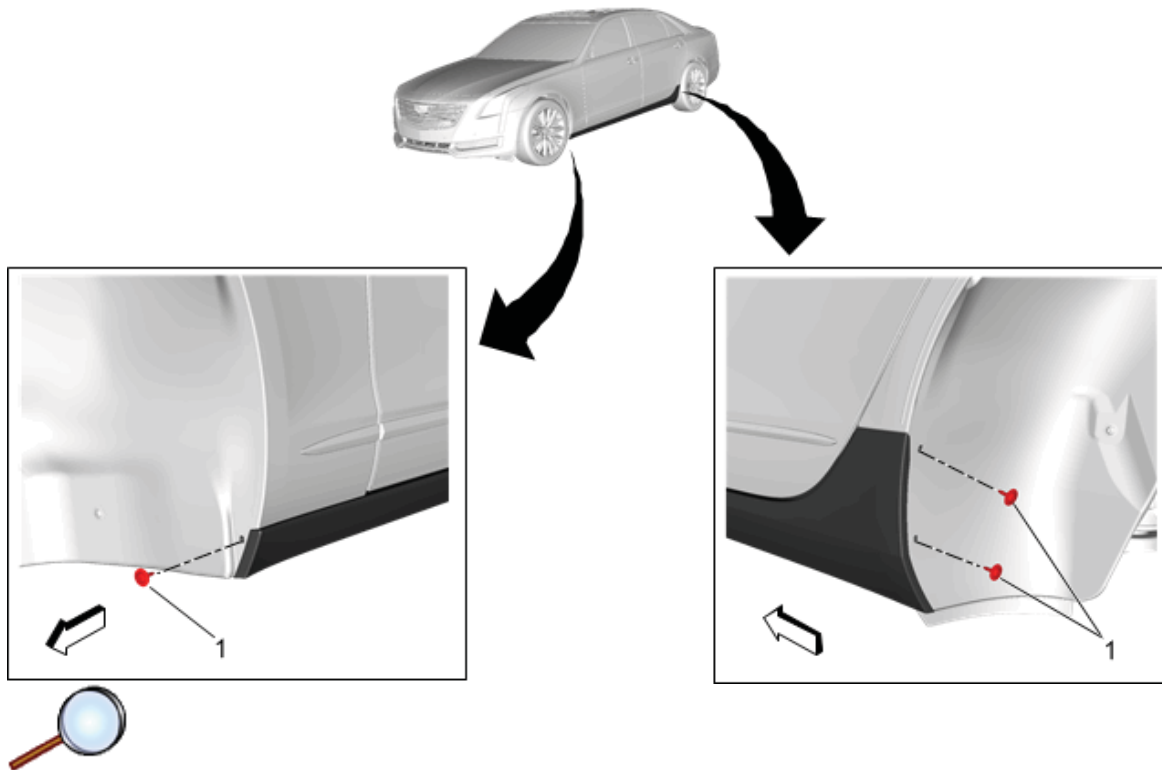
4. With the front and rear doors open, maneuver the accessory rocker molding (1) into position making sure each clip is ready to enter the corresponding hole in the sheet metal.

Note: Take care not to scratch the paint on the accessory rocker molding as it moves past the door or the vehicle lift.

5. Working from one end to the other, firmly press the accessory rocker molding (1) into the body to fasten the clips into their respective holes. Usually a 'click' sound can be heard as the clips engage.

Note: Make sure that the nuts at the rear of the rocker molding do not catch on the body.

6. Inspect the accessory rocker molding to ensure it is attached correctly to the vehicle.

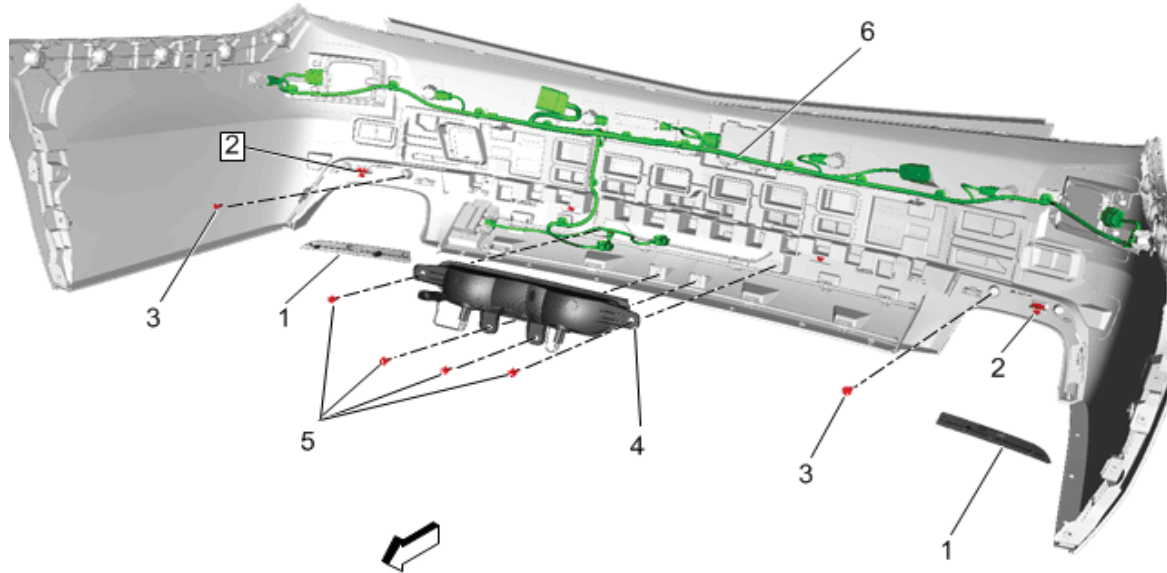


7. Reattach front and rear wheel liners to the accessory rocker moldings with the screws (1).
8. Repeat steps for the other side.

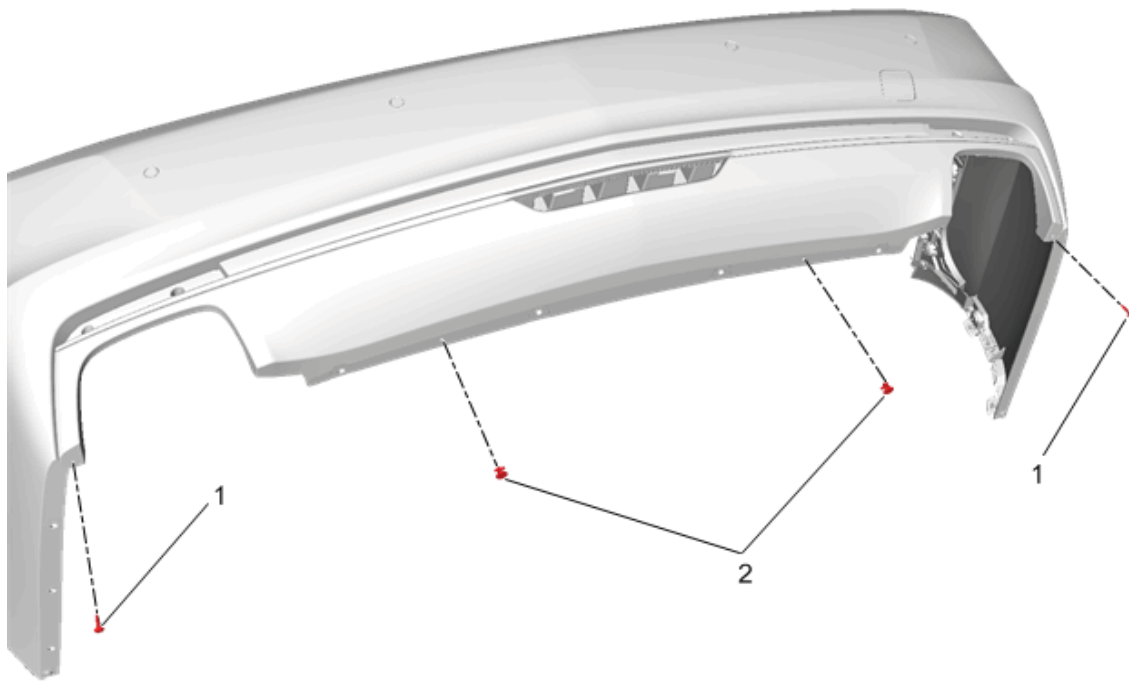
Rear valance Rear Extensions

Note: If the vehicle is already equipped with a gloss black rear valance that matches the accessory valance, it is not necessary to replace this part. You may then proceed to install the rear extensions without removing the rear fascia.

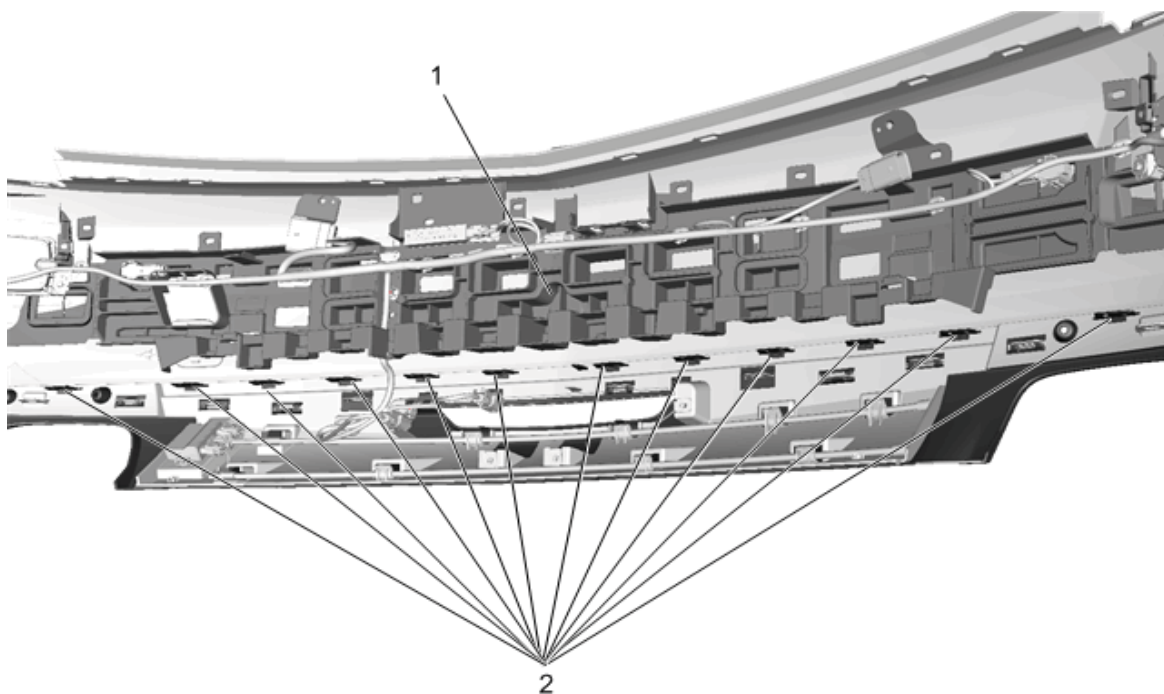
Accessory valance



1. Remove the rear fascia. Refer to Vehicle Service Manual.
2. Place the fascia face down on a clean, protected work surface to avoid scuffing and scratching.
3. Remove and retain the screws (3) and reflectors (1).
4. Unclip the backup lamp harness (6). Remove and retain the backup lamp screws (5) and the backup lamp (4).
5. Remove and retain the shoe clips (2) on the rear chrome trim.

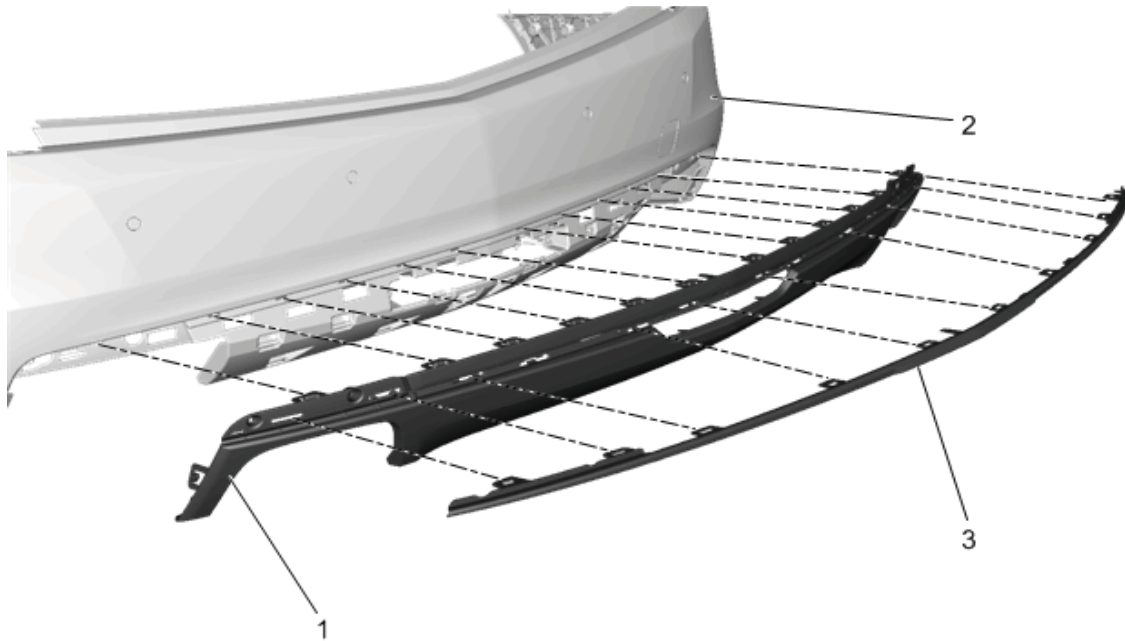


6. Carefully remove the rivets (2) from the rear valance.
7. Remove the screws (1) from the rear valance.



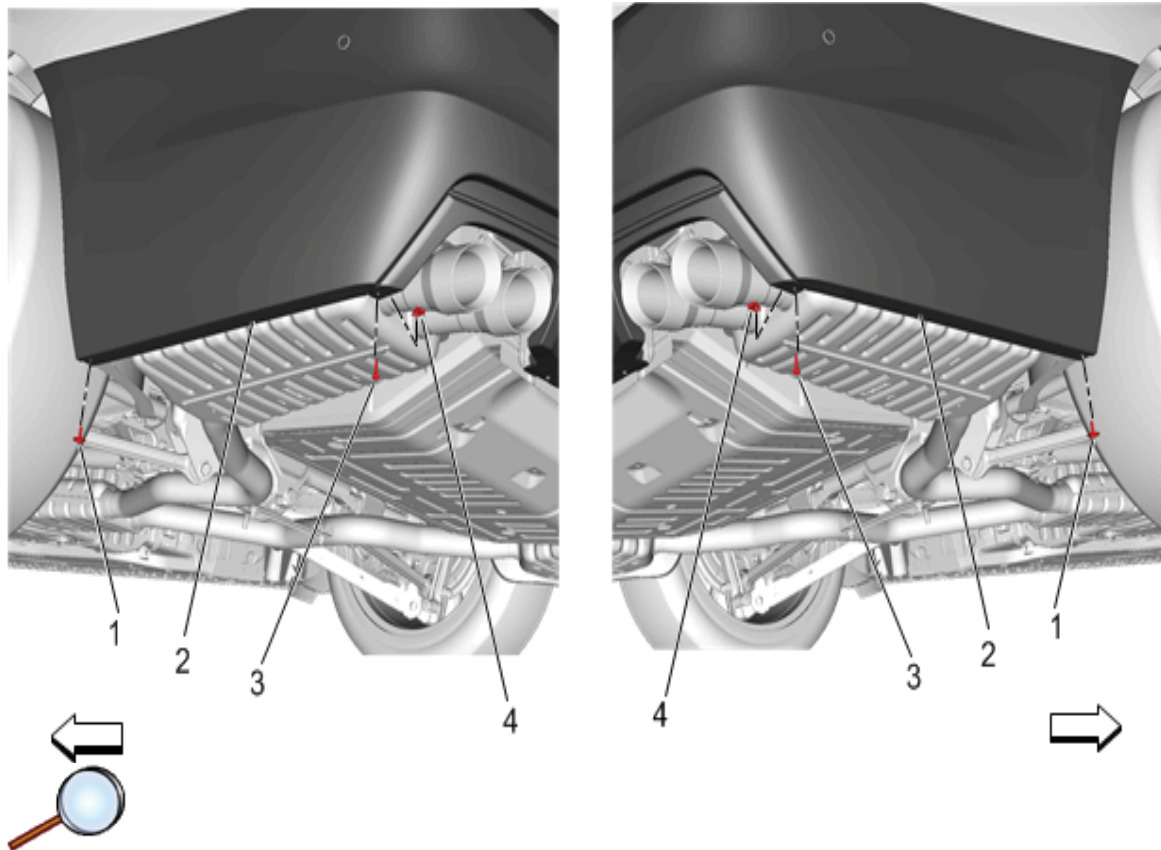
8. Carefully lift the rear energy absorber (1) to access and disengage the tabs (2) of the rear lower valance.

Note: The rear energy absorber does not detach from the rear fascia.



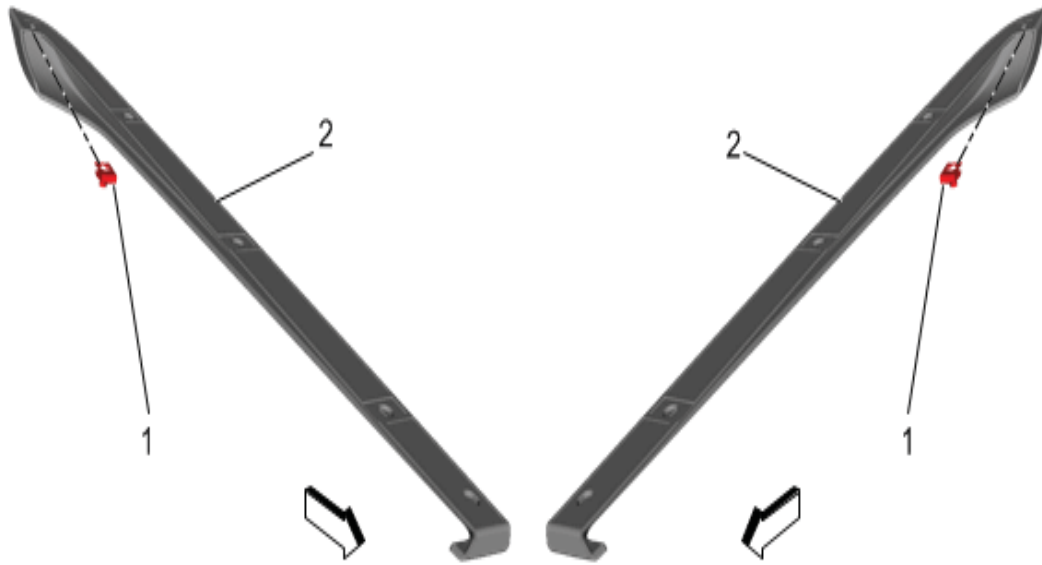
9. Remove the lower valance (1) from the rear fascia (2), take care not to break any tabs.
10. Remove the chrome trim (3) from the lower valance.
11. Install the chrome trim (3) to the accessory valance.
12. Install the accessory valance to the rear fascia, following steps 3-8 in reverse order. use the newly supplied rivets.

Rear Extensions

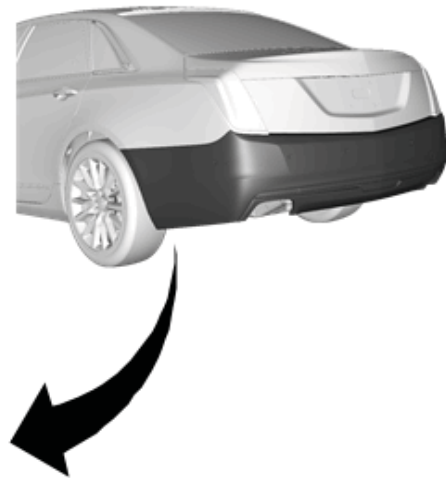
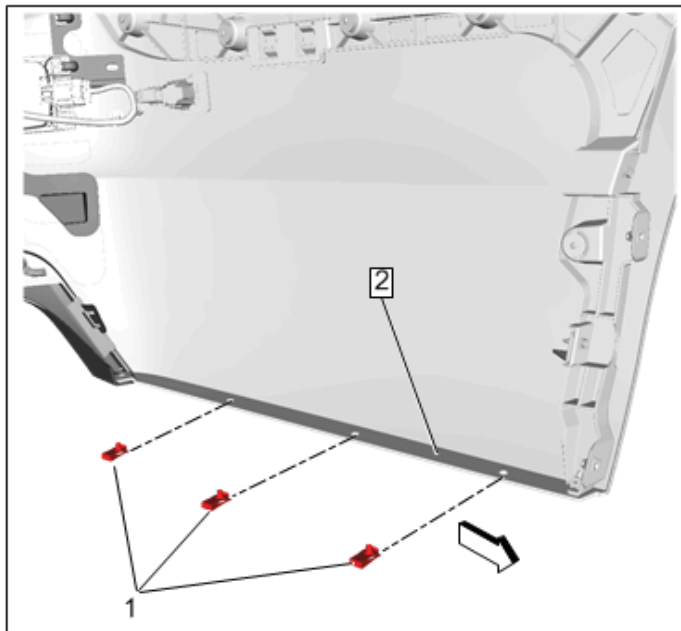


Note: If the accessory valance does not need to be installed, the rear fascia does not need to be removed to install the rear extensions.

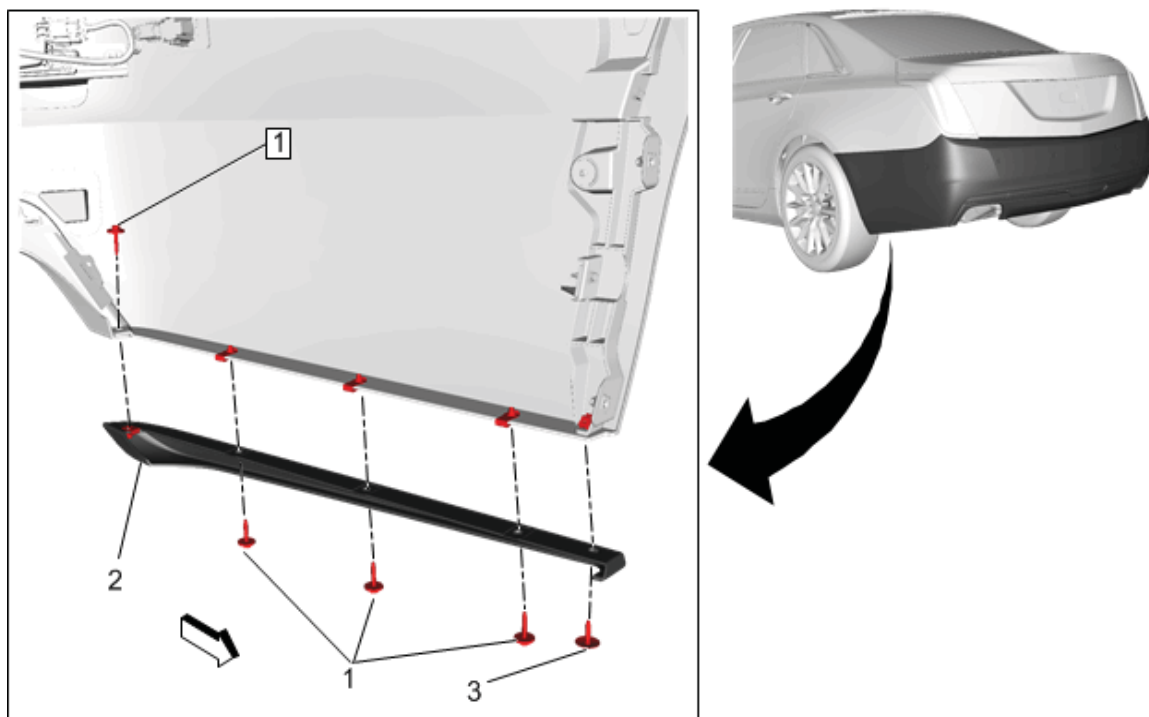
1. Remove and discard the screws (1) at the front corners of the rear fascia nearest to the wheels.
2. Remove and retain the screws (3) and clips (4) at the rear corners of the rear fascia (2).



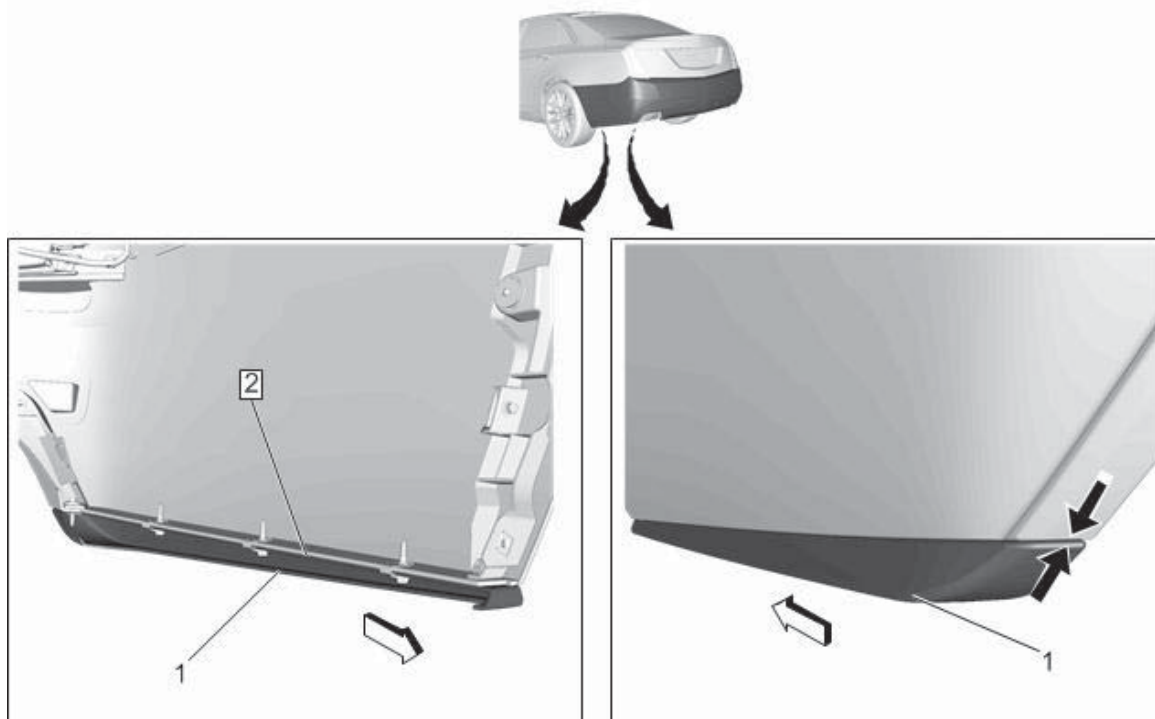
3. Install the previously removed clips (1) to the rear extensions (2).



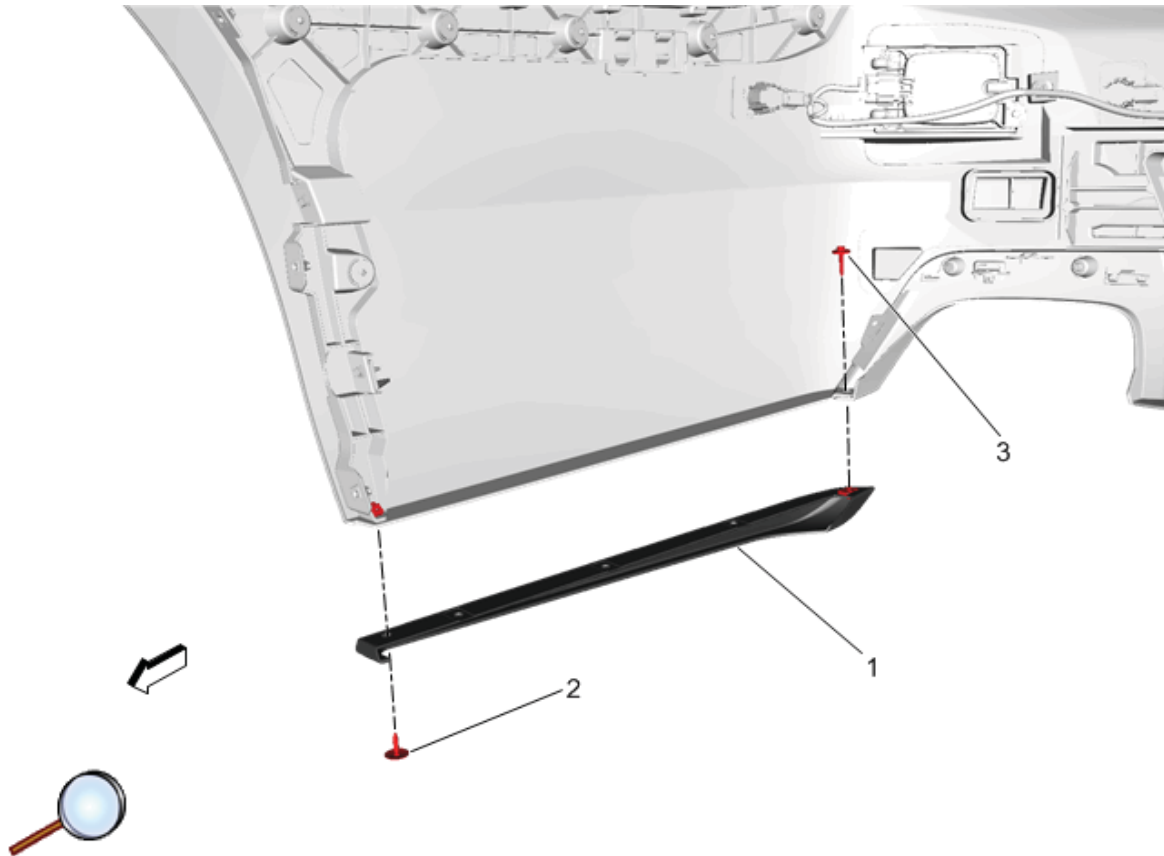
4. **Driver Side Rear Extension:** Attach the provided clips (1) onto the rear fascia (2) at the existing holes.



- 5. Loosely attach the left rear extension (2) with the provided screws (1).
- 6. Install the previously retained screw (3) to the front of the rear extension.

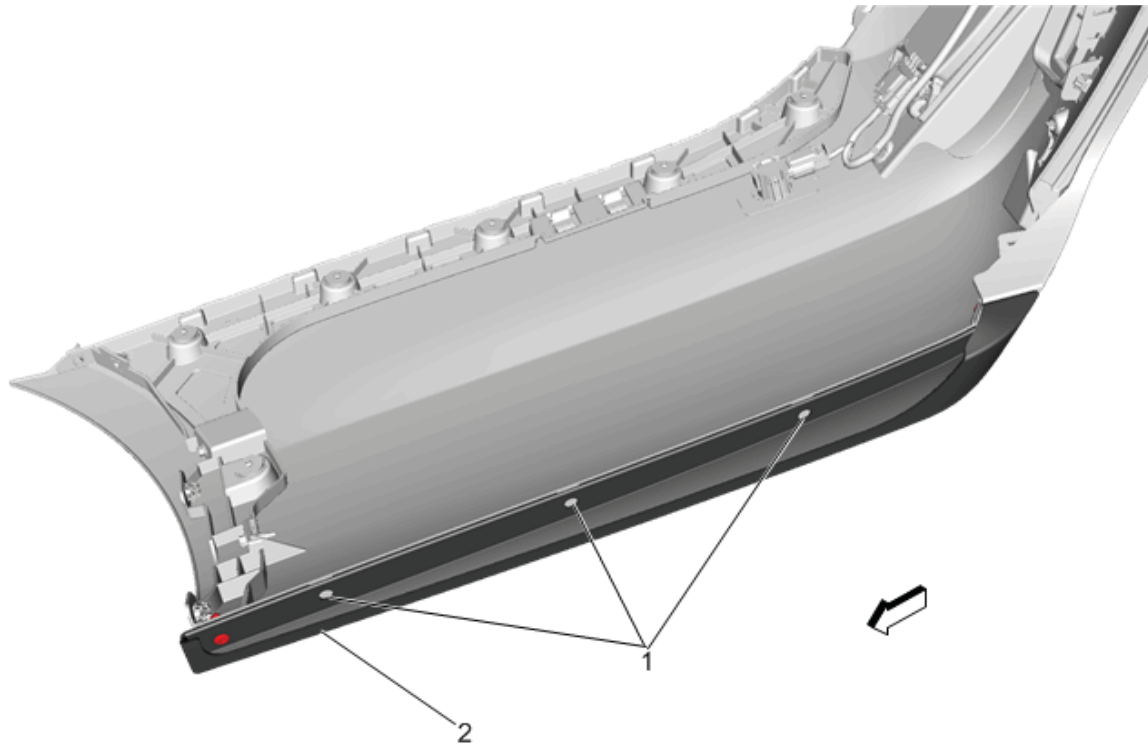


7. Making sure the that the rear extension (1) is properly aligned to the rear fascia and valance panel, tighten all screws. Tighten screws from back to front. The inner edge of the rear fascia (2) can be used as a guide.

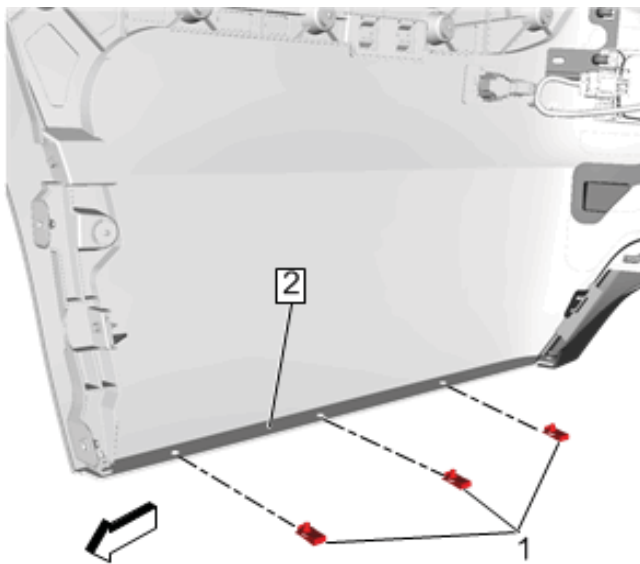


Note: To install the passenger side rear extension, holes will need to be drilled along the bottom of the rear fascia.

8. **Passenger Side Rear Extension:** Install the passenger side rear extension (1), similar to the driver side, using only the front (2) and rear (3) fasteners.



9. Using the rear extension (2) holes as a template, drill three 8mm holes (1) into the rear fascia.



10. Remove the rear extension. Install the clips (1) at the newly drilled holes in the rear fascia. Install the passenger side rear extension in similar manner as on the driver side.
11. Inspect the rear extensions for proper fit and alignment. Adjust as needed.