

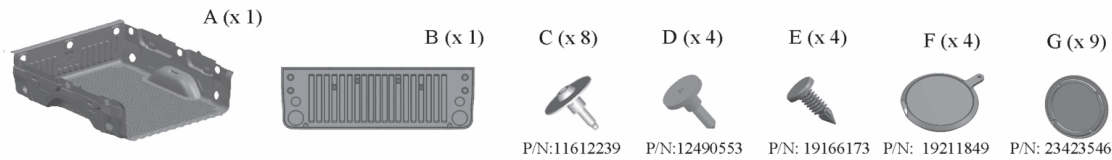
Pickup Box Liner Package Installation

Installation Instructions Part Number

23221595

Note: Read this installation manual thoroughly, before starting the installation.

Kit Contents

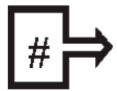


Tools Required



© 2018 General Motors. All rights reserved.

Key:



Look to step #

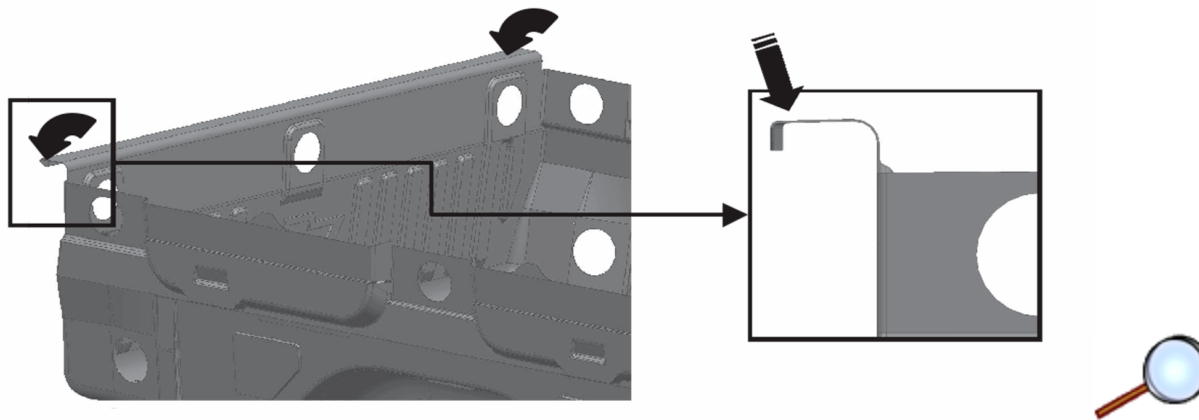


Caution

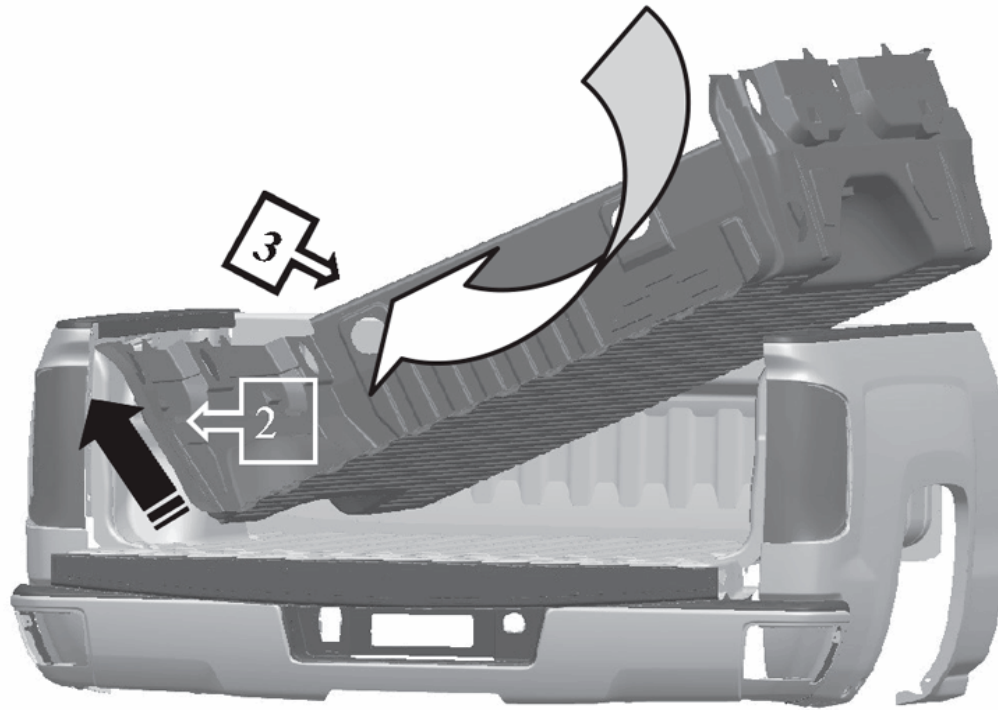


Caution: It is recommended that 2 people are used to install the bed liner. Make sure the truck box and bed liner are clean prior to installation. Do not allow the bed liner to contact the bed rail surfaces. Mask or cover the side rails at the top and inside surfaces to prevent scratches or damage during installation.

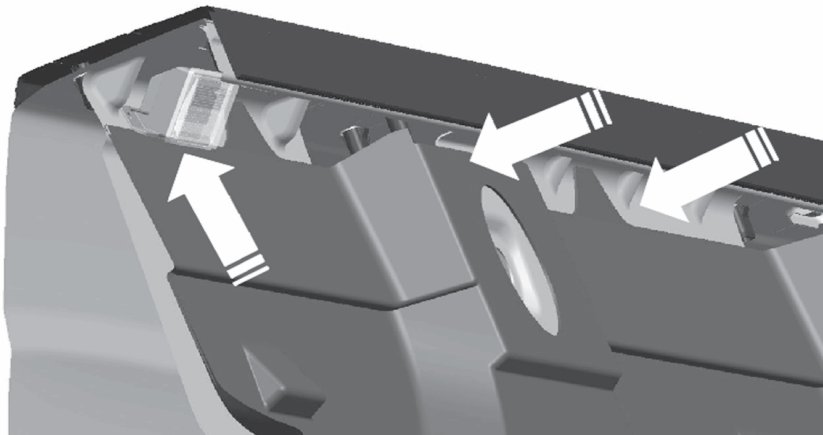
Procedure



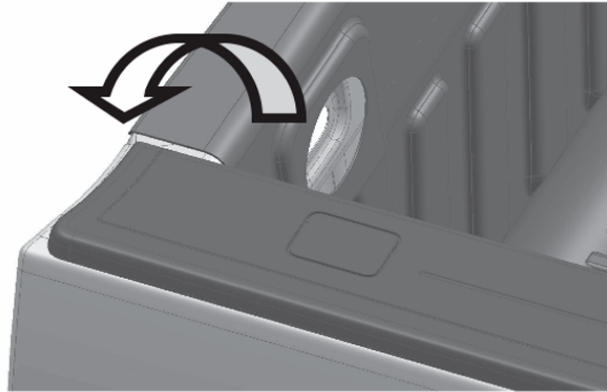
Recommendation: Flex bed liner front rail corners down before installation of bed liner.



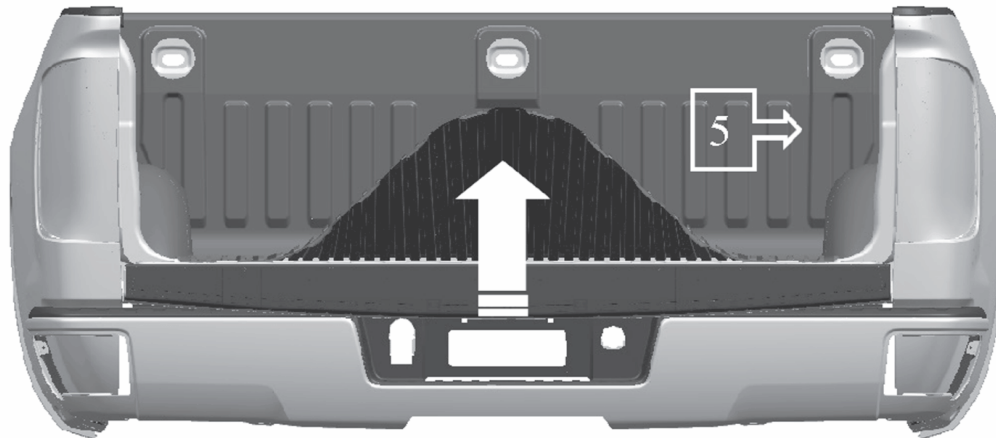
1. Place the bed liner (A) in the pickup box while holding one side in the air. Slide the second side under the pickup box rail while the first comes down to rest on the floor of the pickup box.



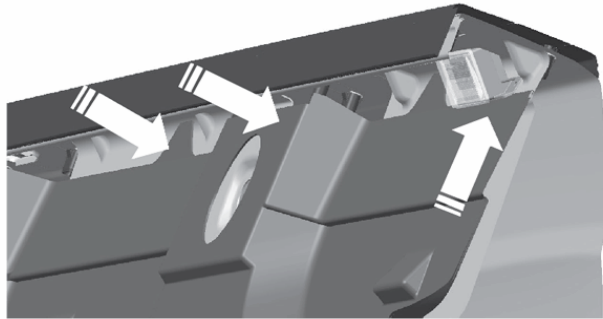
2. Slide the tabs behind rail and cargo lamp (if equipped).



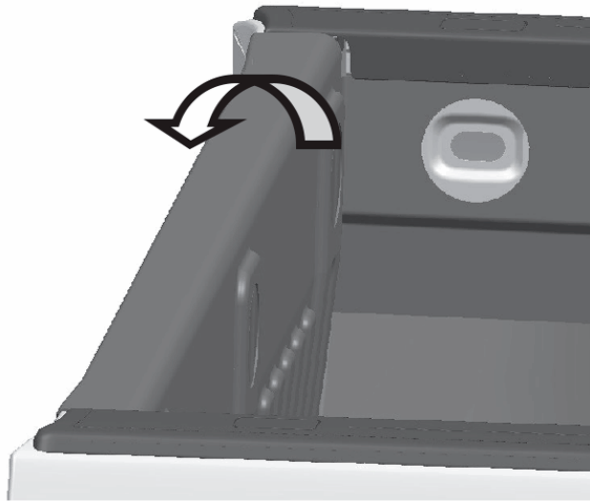
3. Make sure the front rail of bed liner is over front rail of pickup box.



4. Lift up on the center of the bed liner to slide the remaining sidewall in place.



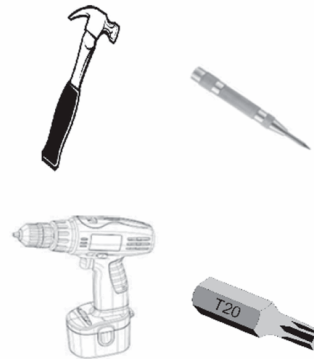
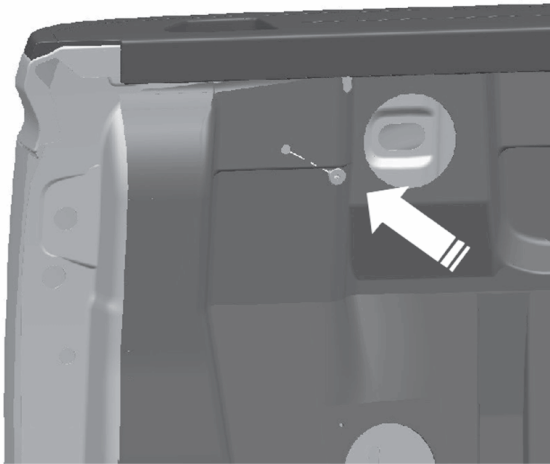
5. Slide tabs behind rail and cargo lamp (if equipped) as the bed liner floor is released.



6. Push front bed liner rail over the front pickup box rail.

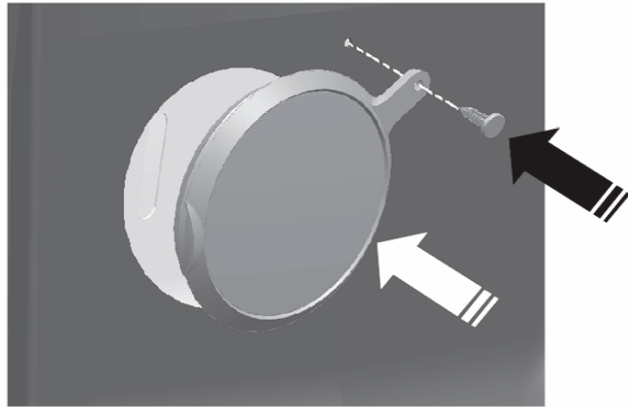


7. Center the middle hole in the bed liner on the center of the cap plug in the pickup box.



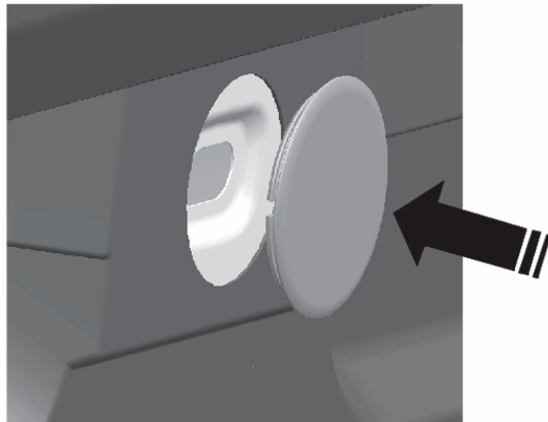
8. Hold the bed liner side firmly against the pickup box. Mark center of hole using a center punch. Center screw (D) on the punch mark and fasten the screws to the pickup box wall. Repeat steps 8 and 9 for opposite side.

Note: DO NOT OVER TIGHTEN BECAUSE THE SCREW THREADS CAN BE STRIPPED EASILY.

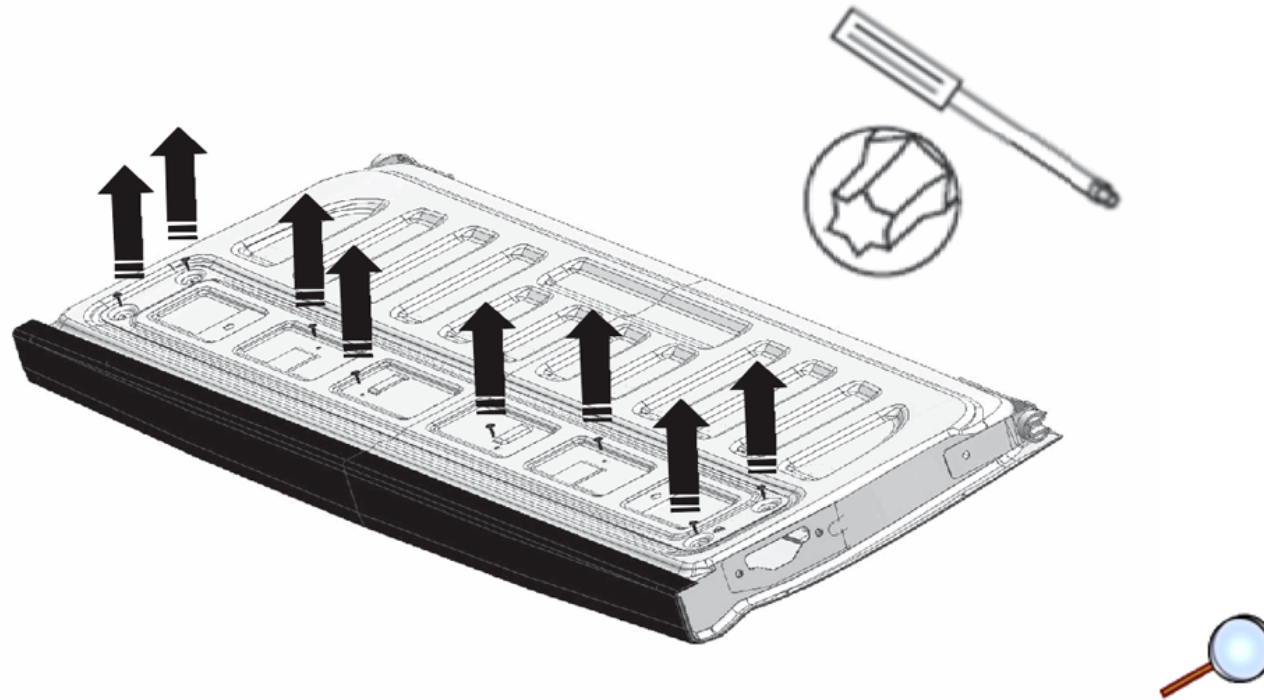


9. Install the lower tie-down covers (F) into the 4" (102 mm) holes. Install fastener (E) through the tether on cover (F) into the bed liner.

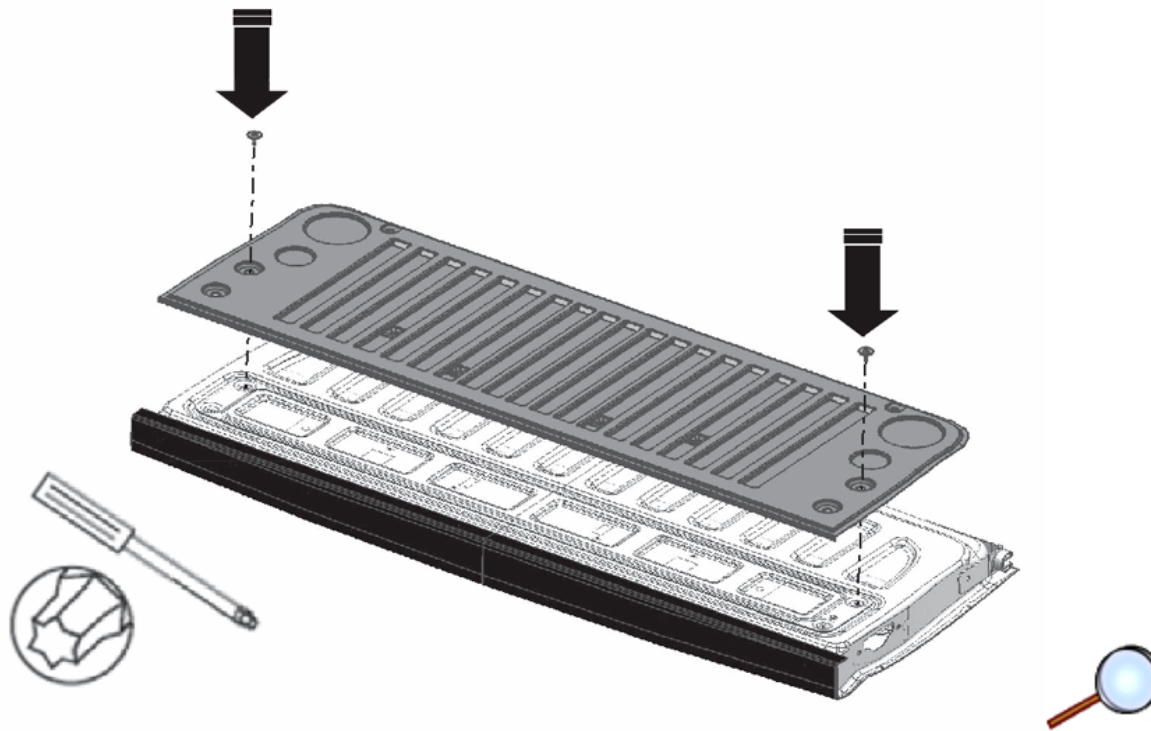
Note: Only use finger tabs when removing lower covers. Using the tether can damage the plugs.



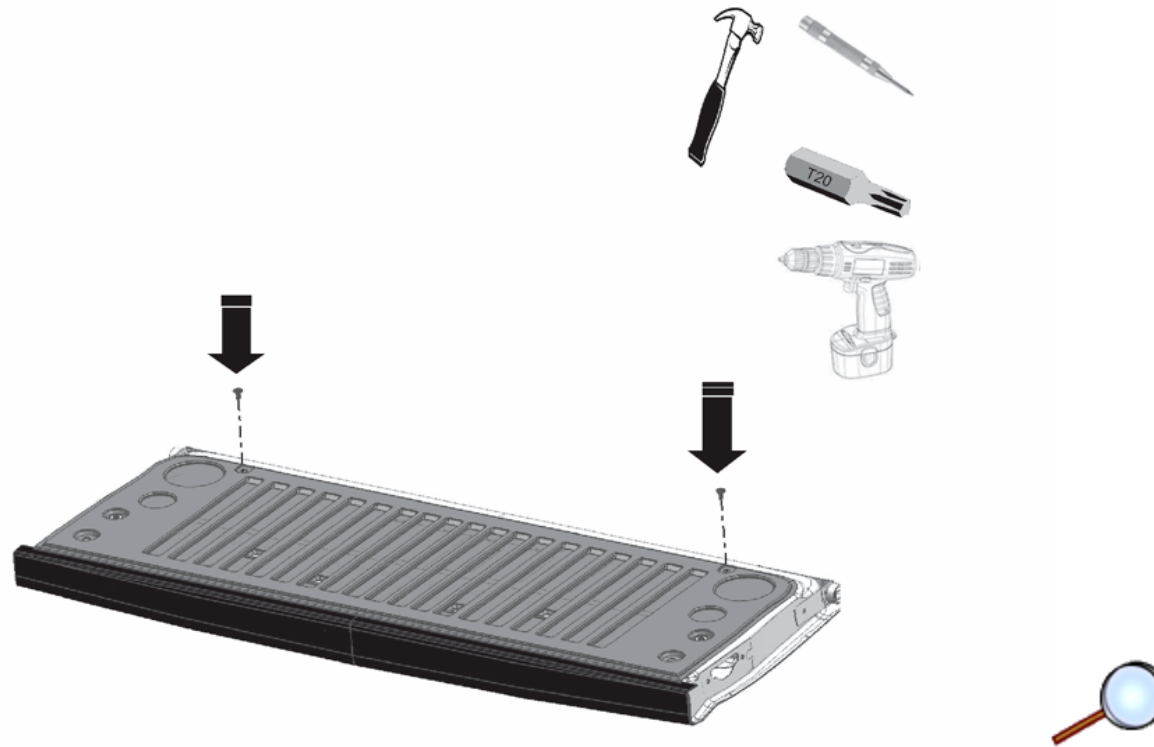
10. Install upper tie-down covers (G) into the 3 1/2" (89 mm) holes wherever a tie-down is not present.



11. Remove the 8 existing tail gate screws and discard.

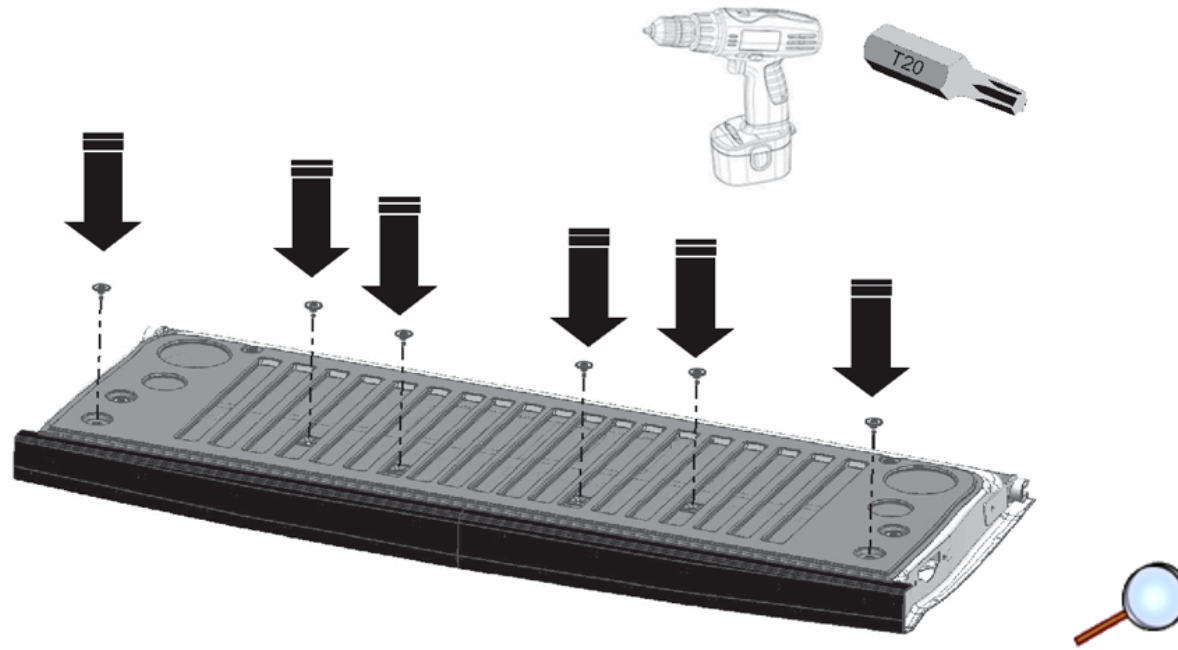


12. Align the tail gate cover over the tail gate using the screw holes. Install 2 screws (C) hand tight in location shown.



13. Mark the center of both lower slots with a center punch. Install screws (D) using the punch mark as a guide.

Note: DO NOT OVER TIGHTEN BECAUSE THE SCREW THREADS CAN BE STRIPPED EASILY.



14. Install the six remaining screws (C) in the remaining screw locations.