

Front Fender Mud Guard Package Installation

Installation Instructions Part Number

23266300

Note: Please read instructions thoroughly before starting.

Note: Installation time 30 minutes.

Front Fender Splash Guard Kit Contents

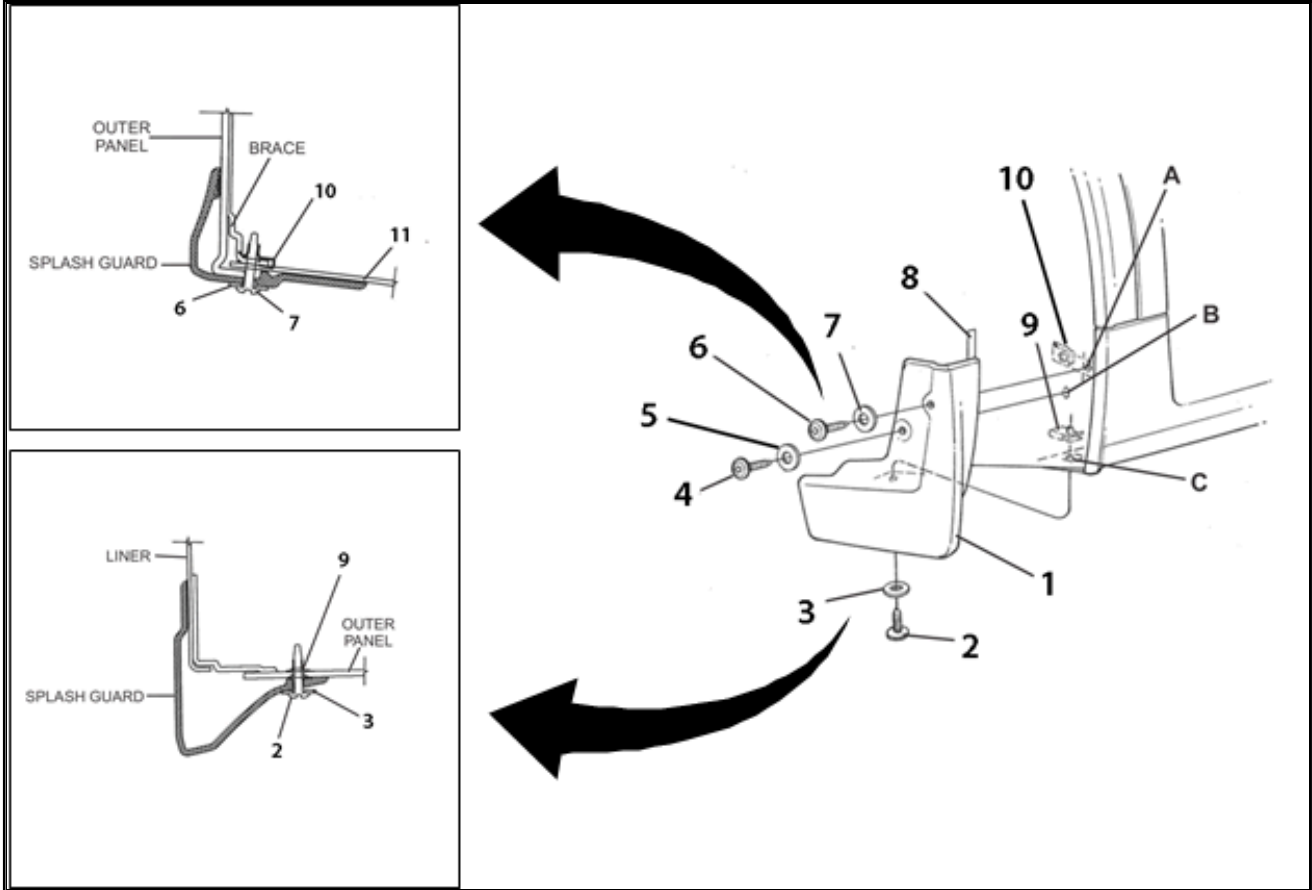
Qty	Description
1	Left Splash Guard
1	Right Splash Guard
6	M4.2 Screw
4	M4.2 U-Nut
6	Washer
1	Installation Instructions

Tools Required

- Drill
- 3/16 (5mm) Drill Bit
- T15 TORX Driver
- Clean Cloth/Rag
- Isopropyl Alcohol

Installation Procedure

1. Clean and degrease body panel where front fender mud flaps are to be located.
2. Using isopropyl alcohol, clean area to be taped.
3. Parts and vehicle temperature must be between 61°F & 86°F (16°C & 31°C).



4. Remove existing torx head screw (4) location **B**, discard screw.
5. Mount splash guard (1) and install supplied screw (4) and washer (5) in location **B** while holding part up and into front panel and tighten.
6. While holding splash guard firmly against front panel using part as a template, drill 3/16" (5mm) holes in locations **A** and **C**.
7. Remove supplied screw (4) and washer (5) location **B** then splashguard (1). Pull liner (11) out at location **A** and install supplied M4.2 U-Nut (10) over plastic panel brace drilled hole with turned up edge facing inside of panel.
Note: INSTALL SUPPLIED U-NUT WITH TURNED UP EDGE ON INSIDE OF PANEL.
8. Install supplied M4.2 U-Nut (9) over drilled hole location **C** with turned up edge facing inside of panel.
Note: INSTALL SUPPLIED U-NUT WITH TURNED UP EDGE ON INSIDE OF PANEL.
9. Ensure tape liner (8) is facing outward then mount splash guard and reinstall supplied screw (4) and washer (5) in location **B** while holding part up and into front panel.
Note: WHEN TIGHTENING SCREW MAKE SURE WASHER IS CENTERED.
Note: MAX TORQUE ON M4.2 SCREW IS 3.0 N.M.
10. While holding splash guard up into panel install supplied M4.2 screw (6), (2) and washer (7), (3) in locations **A** and **C** and tighten.
Note: MAX TORQUE ON M4.2 SCREW IS 3.0 N.M.
11. Push splash guard forward and pull tape liner (8) off, while holding splash guard firmly against front panel apply 20 - 30 pounds of pressure along tape length to ensure contact.
12. Repeat procedure for other side.
13. Guards can be cleaned with any commercially available cleaner.