

Rear Mud Guard Package Installation

Installation Instructions Part Number

23454429

Note: Please read instructions thoroughly before starting.

Note: Installation time: 30 minutes.

Rear Mud Flap Kit Contents

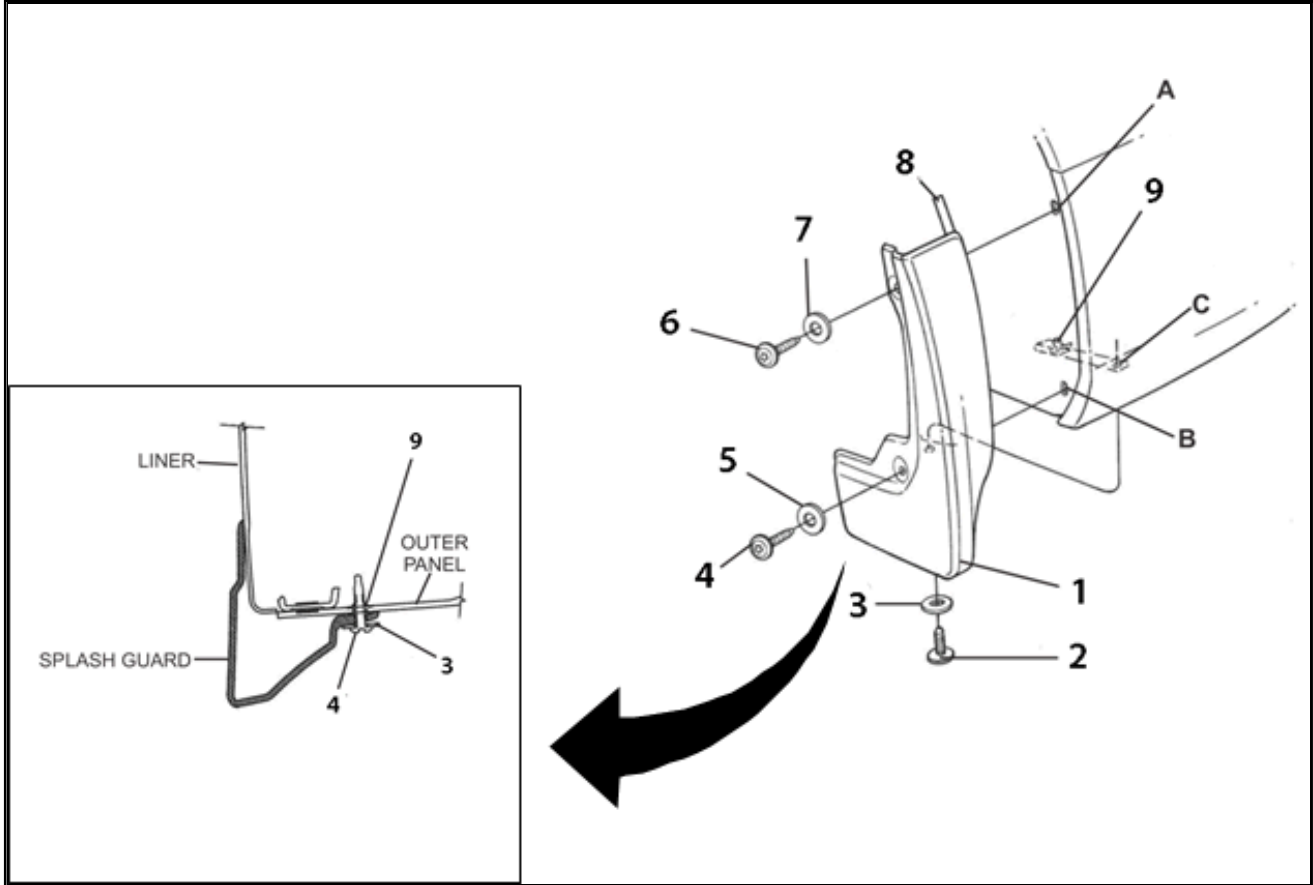
Qty	Description
1	Left Hand Splash Guard
1	Right Hand Splash Guard
6	M4.2 Screw
6	Washer
2	M4.2 U-Nut
1	Installation Instructions

Tools Required

- 3/16 (5mm) Drill Bit/Drill
- T15 Torx Screwdriver
- Clean Cloth/Rag
- Isopropyl Alcohol

Installation Procedure

1. Clean and degrease body panel where splash guards are to be located.
2. Using isopropyl alcohol, clean area to be taped.
3. Parts and vehicle temperature must be between 61°F and 86°F (16°C and 31°C).



4. Remove existing torx head screws (4), (6), locations **A** and **B**, discard screws.
5. Ensure tape liner (8) is facing outward then mount splash guard (1) and install supplied screws (4), (6) and washers (5), (7) in locations **A** and **B**, while holding part up and into rear panel and tighten.
 - Note:** WHEN TIGHTENING SCREW MAKE SURE WASHER IS CENTERED.
 - Note:** MAX TORQUE ON M4.2 SCREW IS 3.0NM.
6. While holding splash guard firmly against rear panel using part as a template, drill 3/16" (5mm) hole in location **C**.
7. Pull splash guard out slightly at location **C** and install supplied M4.2 U-Nut (9) over panel edge drilled hole, with turned up edge on inside of panel.
 - Note:** INSTALL SUPPLIED U-NUT WITH TURNED UP EDGE ON INSIDE OF PANEL.
8. While holding splash guard up and into panel install supplied screw (2) and washer (3) in location **C** and tighten.
 - Note:** WHEN TIGHTENING SCREW MAKE SURE WASHER IS CENTERED.
 - Note:** MAX TORQUE ON M4.2 SCREW IS 3.0NM.
9. Push splash guard forward and pull tape liner (8) off, while holding splash guard firmly against rear panel apply 20 - 30 pounds of pressure along tape length to ensure contact.
10. Repeat procedure for other side.
11. Guards can be cleaned with any commercially available cleaner.