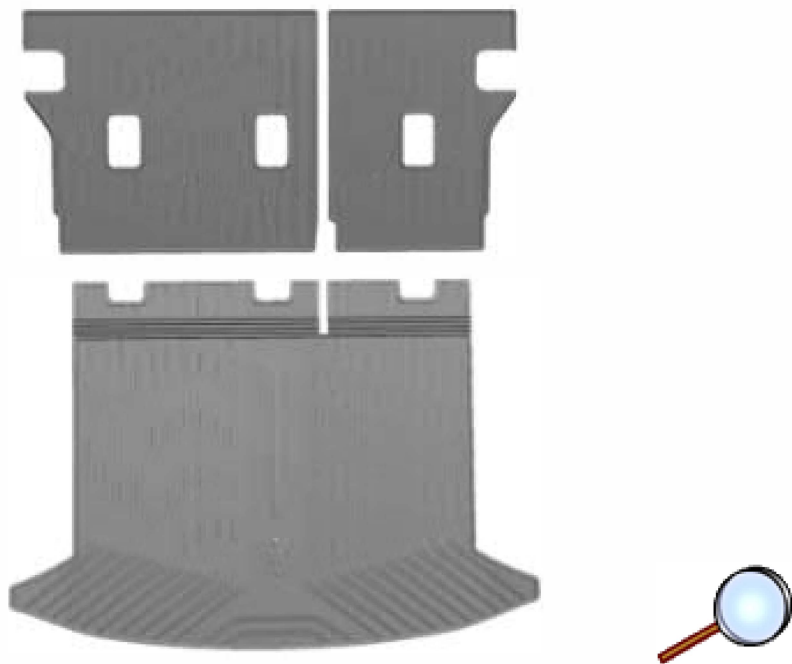


Rear Compartment Floor Stowage Compartment Package Installation

[Installation Instructions Part Number](#)

26390558

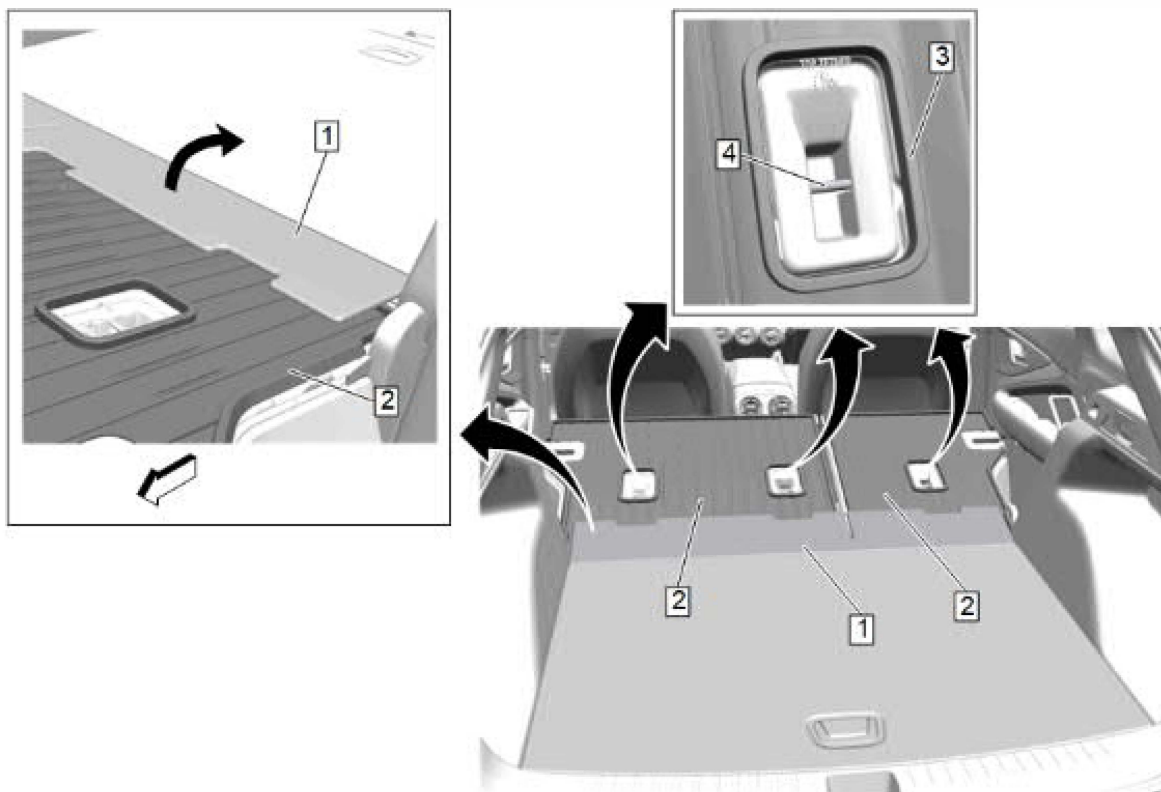


Kit Contents

Qty	Description
1	Rear Seat Back Cargo Tray
1	Rear Compartment Cargo Floor Tray
1	Installation Instructions

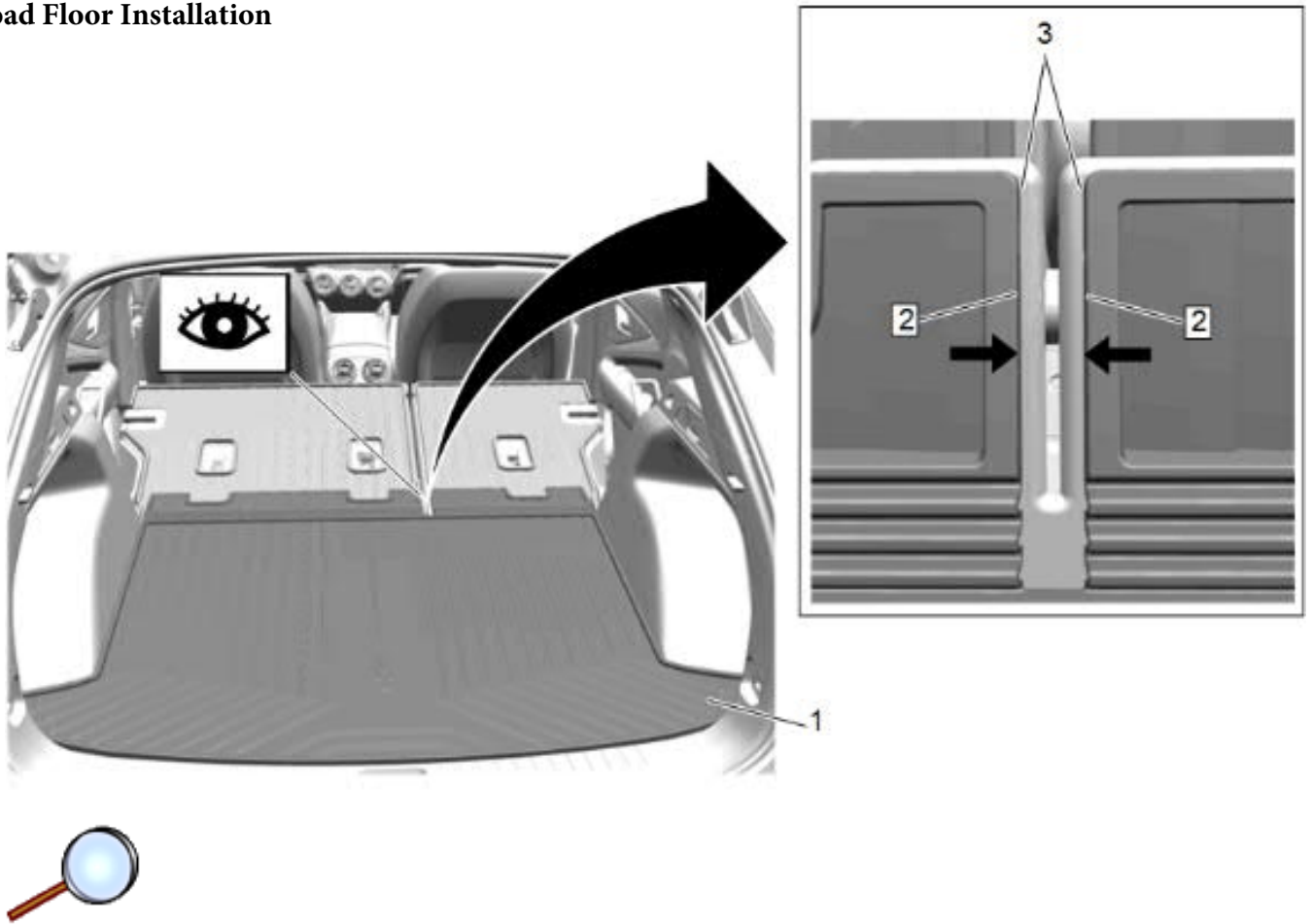
Procedure

Seat Back Installation

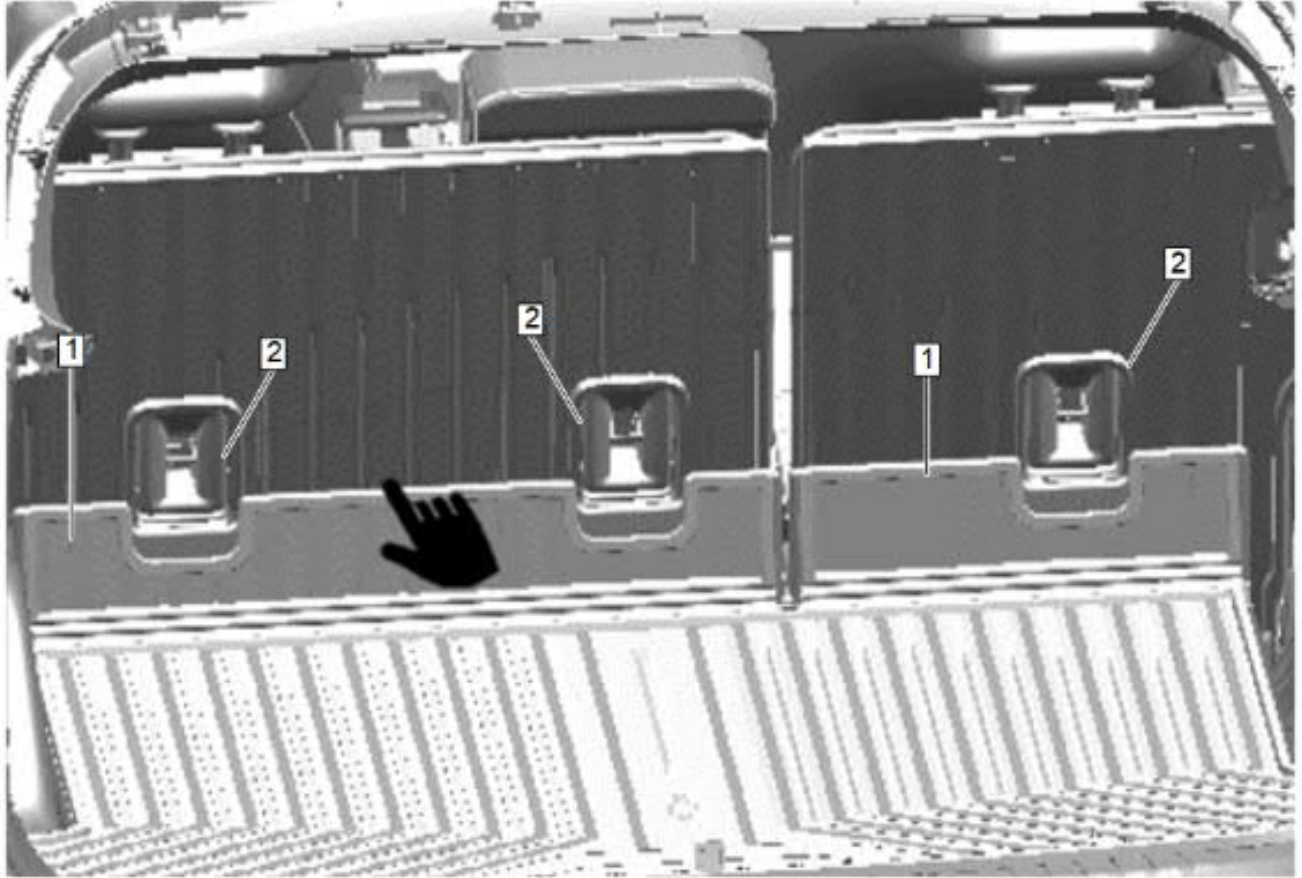


1. Ensure the rear seats are in the down position.
2. Pull up on rear seat back flipper panel (1) and position seat back cargo trays (2) under flipper panel (1).
3. Install the seat back cargo trays (2) aligning the tether openings (3) to the seat tether anchors (4), and tether logo as shown.
4. Apply firm pressure at each hook & loop pad location to secure cargo trays to the seat back.

Load Floor Installation



1. Install the rear cargo floor tray (1) aligning edge with the cargo sill plate.
2. Align upper flipper portion (2) of rear cargo floor tray to flipper panel (3) making sure each side is positioned evenly in opening.
3. Apply firm pressure at each hook & loop pad location to secure to the load floor.



4. Rotate the seat back to the upper position.
5. Flip the flipping panel (1) to clear the child tether bezel (2) area by hand.