

# Rear Mud Guard Package Installation

## Installation Instructions Part Number

26393124

Please read instructions thoroughly before starting.

### Kit Contents

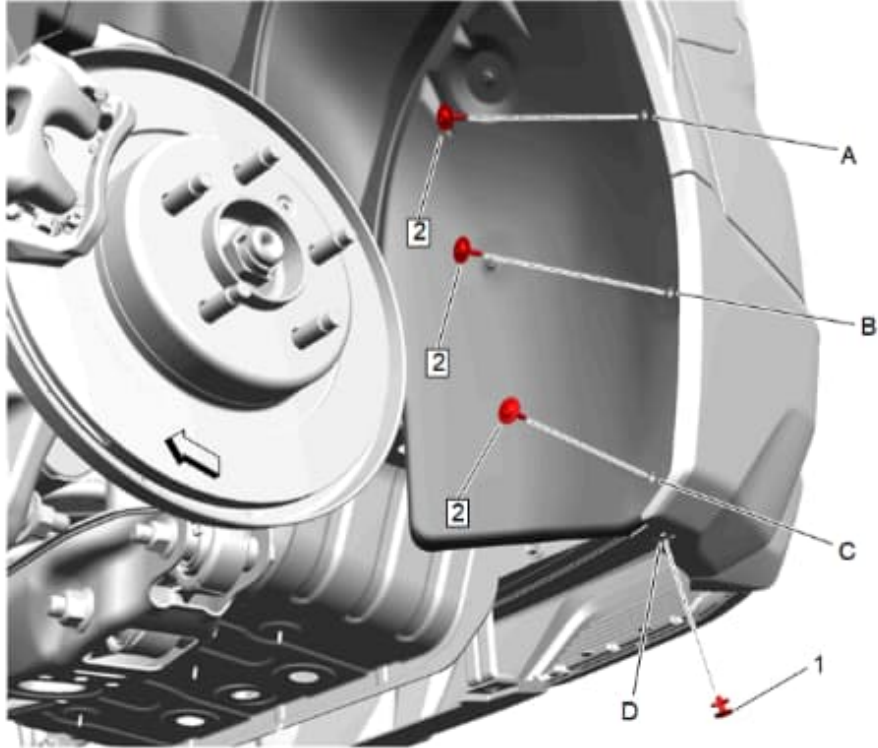
Qty	Description
1	Left Hand Splash Guard
1	Right Hand Splash Guard
2	Long Screw
6	Short Screw
2	Washer
2	U-nut
1	Instruction Sheet

## Special Tools

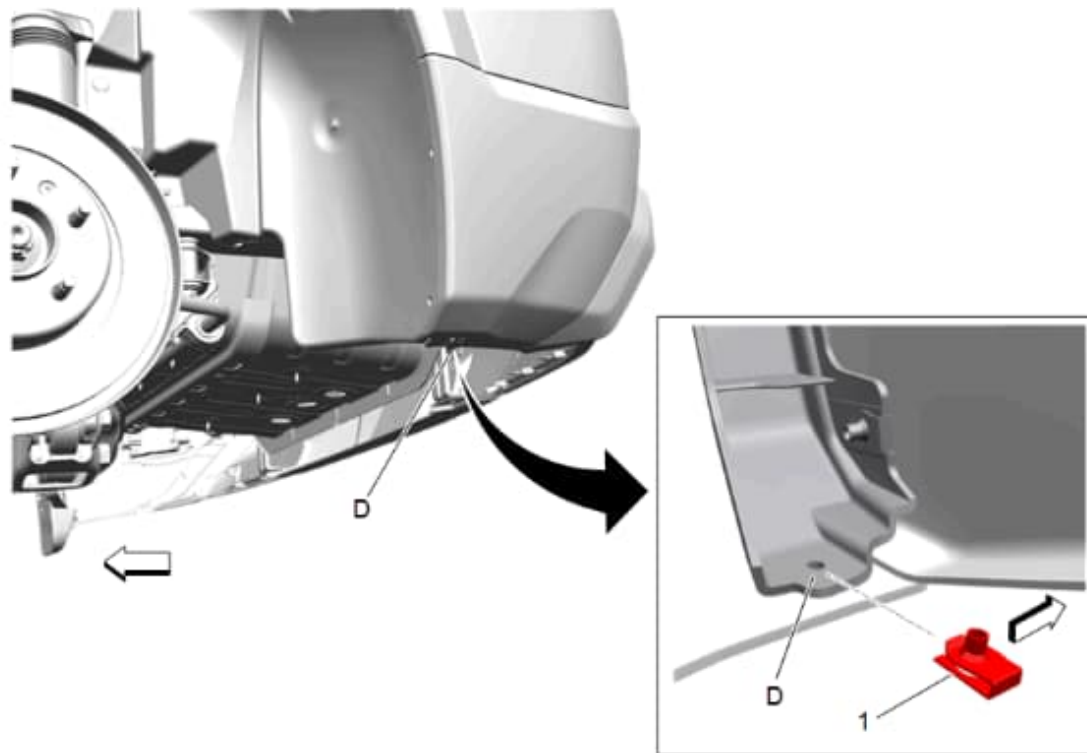
- T15 Torx Screwdriver
- Awl
- Clip Puller
- Clean Cloth/Rag

## Procedure

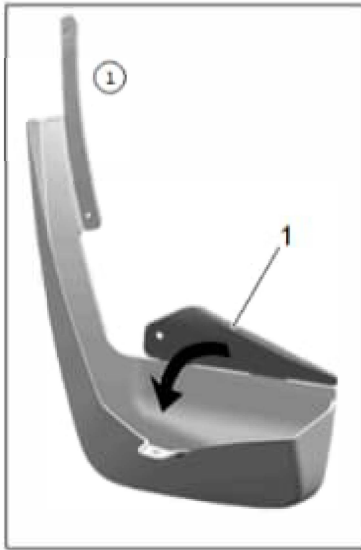
1. Remove the rear wheel and tire assembly. Refer to [Tire and Wheel Removal and Installation](#) in Vehicle Service Manual.
2. Clean and degrease body panel where splash guards are to be located.



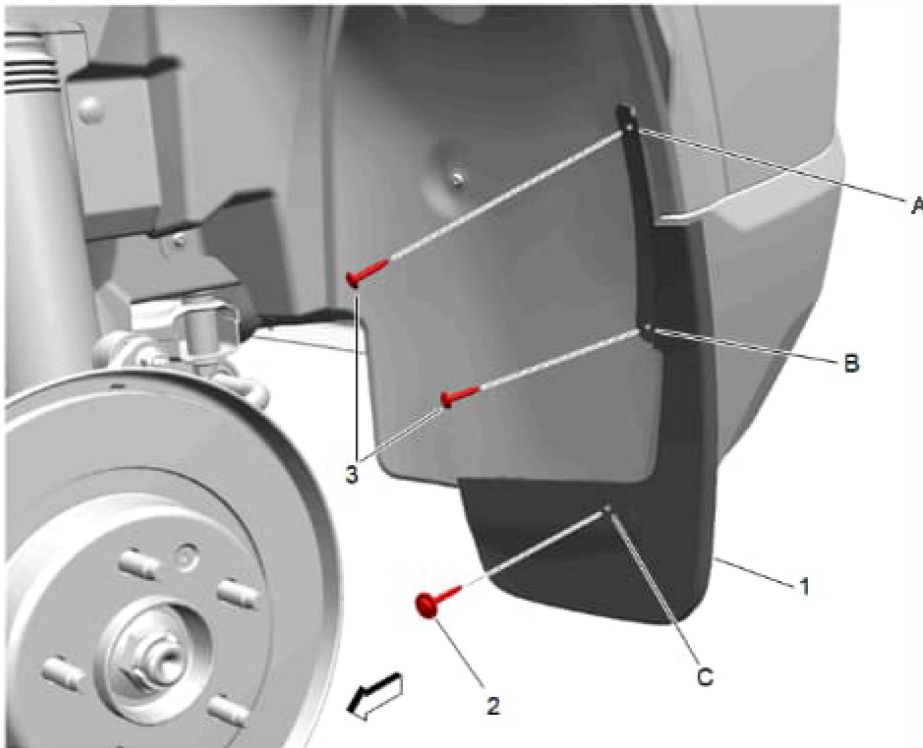
3. Remove existing screws (2) at locations **(A)**, **(B)** and **(C)** and discard screws. Retain the U-nut.
4. Remove push pin (1) from location **(D)**.



5. Reposition rear wheel liner and place U-nut (1) at location **(D)**.



6. . Make sure foldable hinge (1) is fully folded into place.

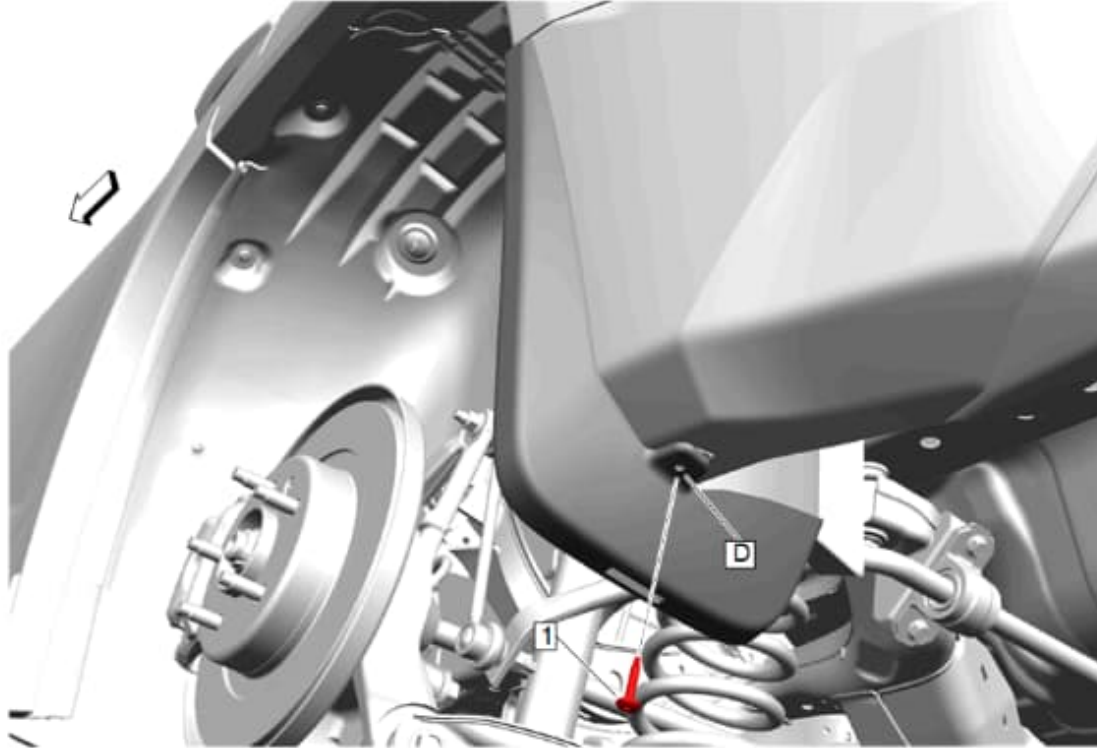


**Caution:** Use the correct fastener in the correct location. Replacement fasteners must be the correct part number for that application. Fasteners requiring replacement or fasteners requiring the use of thread locking compound or sealant are identified in the service procedure. Do not use paints, lubricants, or corrosion inhibitors on fasteners or fastener joint surfaces unless specified. These coatings affect fastener torque and joint clamping force and may damage the fastener. Use the correct tightening sequence and specifications when installing fasteners in order to avoid damage to parts and systems.

7. Place splash guard (1) to vehicle and install short screws (3) at locations **(A) and (B)** and install long screw (2) with washer at location **(C)**.

**Tighten**

Tighten screws to 3.0 N.m (2.0 lb ft).



8. Reach around the rear bumper fascia, hold the U-nut and Install short screw (1) at location **(D)**.
9. Install the rear wheel and tire assembly. Refer to [Tire and Wheel Removal and Installation](#) in Vehicle Service Manual.
10. Repeat procedure for other side.
11. Guards can be cleaned with any commercially available cleaner.