

Rear Mud Guard Package Installation

[Installation Instructions Part Number](#)

26436870

Please read instructions thoroughly before starting.

Kit Contents

Qty	Description
1	Left Hand Splash Guard
1	Right Hand Splash Guard
2	Long Screw
6	Short Screw
2	Spacer
6	U-nut
1	Instruction Sheet

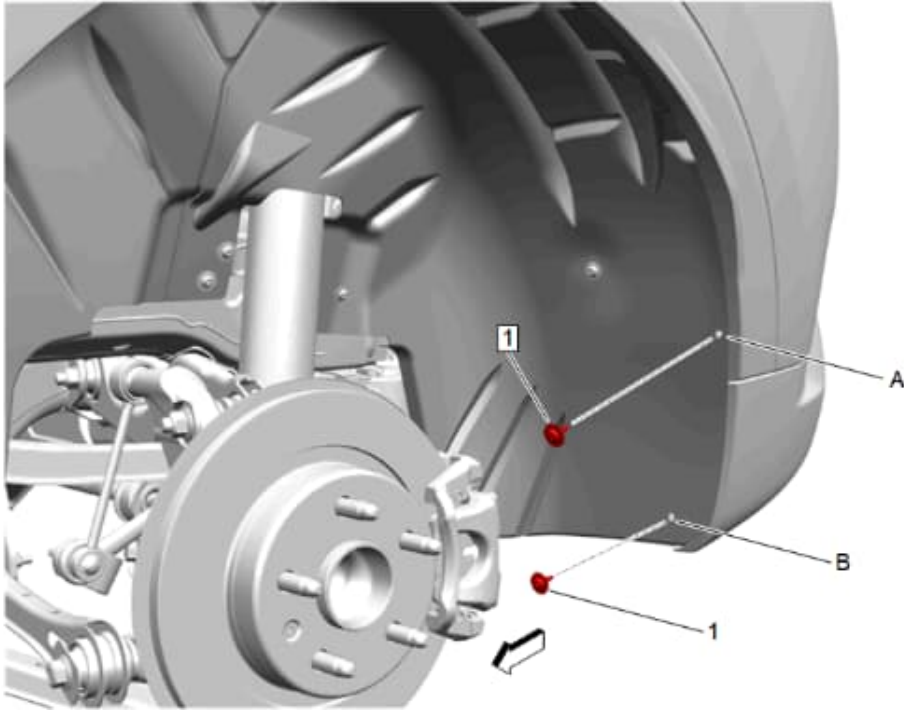
© 2025 General Motors. All rights reserved.

[Special Tools](#)

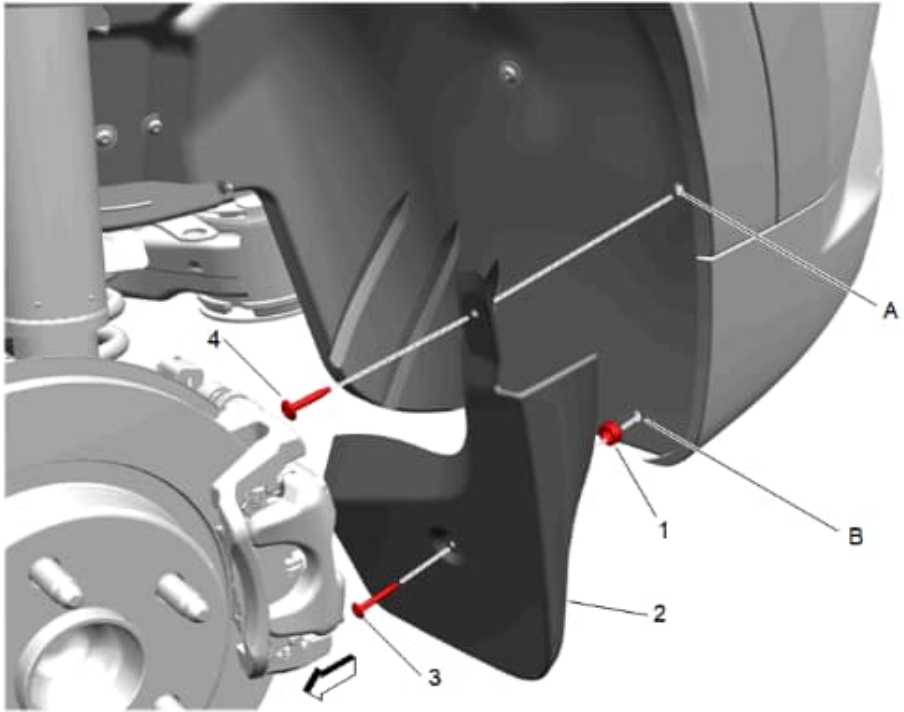
- T15 Torx Screwdriver
- Awl
- 5mm (13/64") Drill Bit/Drill
- Clean Cloth/Rag

[Procedure](#)

1. Remove the rear wheel and tire assembly. Refer to [Tire and Wheel Removal and Installation](#) in Vehicle Service Manual.
2. Clean and degrease body panel where splash guards are to be located.



3. Remove existing screws (1) at locations **(A)** and **(B)** and discard screws. Retain the U-nut.

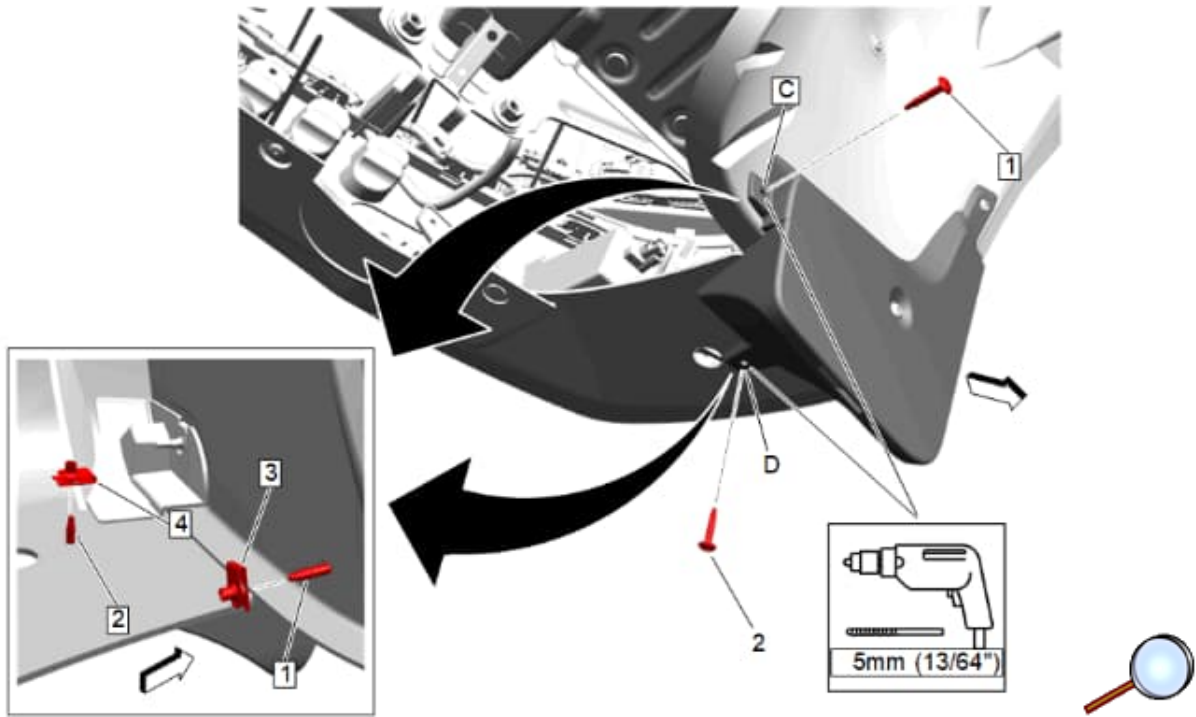


Caution: Use the correct fastener in the correct location. Replacement fasteners must be the correct part number for that application. Fasteners requiring replacement or fasteners requiring the use of thread locking compound or sealant are identified in the service procedure. Do not use paints, lubricants, or corrosion inhibitors on fasteners or fastener joint surfaces unless specified. These coatings affect fastener torque and joint clamping force and may damage the fastener. Use the correct tightening sequence and specifications when installing fasteners in order to avoid damage to parts and systems.

4. Place splash guard (2) to vehicle and install spacer (1) between splash guard (2) and wheel liner at location **(B)** and install long screw (3). Install short screw (4) at location **(A)**.

Tighten

Tighten screws to 3.0 N.m (2.0 lb ft).



Caution: Always check size and position of all holes before drilling. Failing to do so may cause damage to the vehicle, misalignment of components or the inability to install the accessory.

5. Using a 5mm (13/64) drill bit, drill holes at locations **(C)** and **(D)**.

6. Reach around the rear bumper fascia, place and hold the U-nut (3) and install short screw (1) at location **(C)**.

Tighten

Tighten screw to 3.0 N.m (2.0 lb ft).

7. Reach around the rear bumper fascia, place and hold the U-nut (4) and install short screw (2) at location **(D)**.

Tighten

Tighten screw to 3.0 N.m (2.0 lb ft).

8. Install the rear wheel and tire assembly. Refer to [Tire and Wheel Removal and Installation](#) in Vehicle Service Manual.

9. Repeat procedure for other side.

10. Guards can be cleaned with any commercially available cleaner.