

Front Grille Emblem Package Installation (Instruction ID : 26456222)

Installation Instructions Part Number

26456222

Kit Contents

QTY	Description
1	Illuminated Emblem Assembly G
1	Illuminated Emblem Assembly M
1	Illuminated Emblem Assembly C
1	Harness Assembly
1	Harness Attachment Package <ul style="list-style-type: none"> • 2 Round HT clips(RC) • 3 Elliptical HT clips(EC) • 6 Cable ties(CT)

© 2026 General Motors. All rights reserved.

Tools Required

Safety GEAR

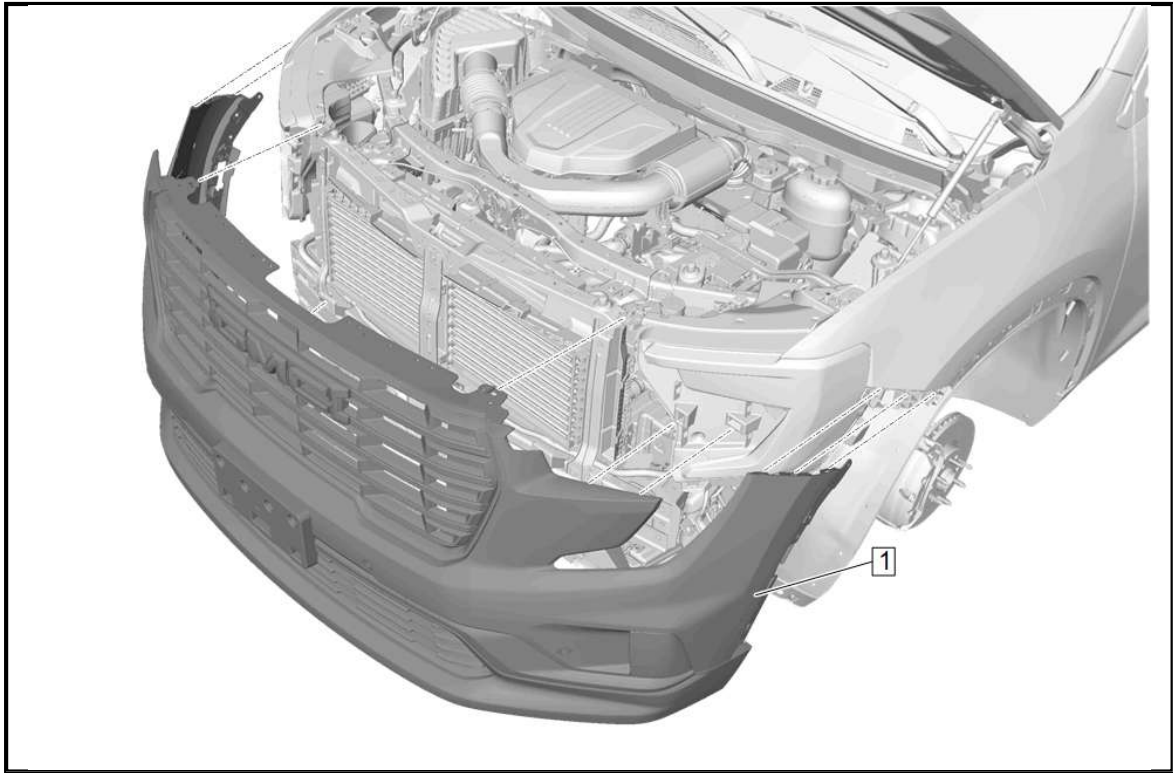
Driver

Socket

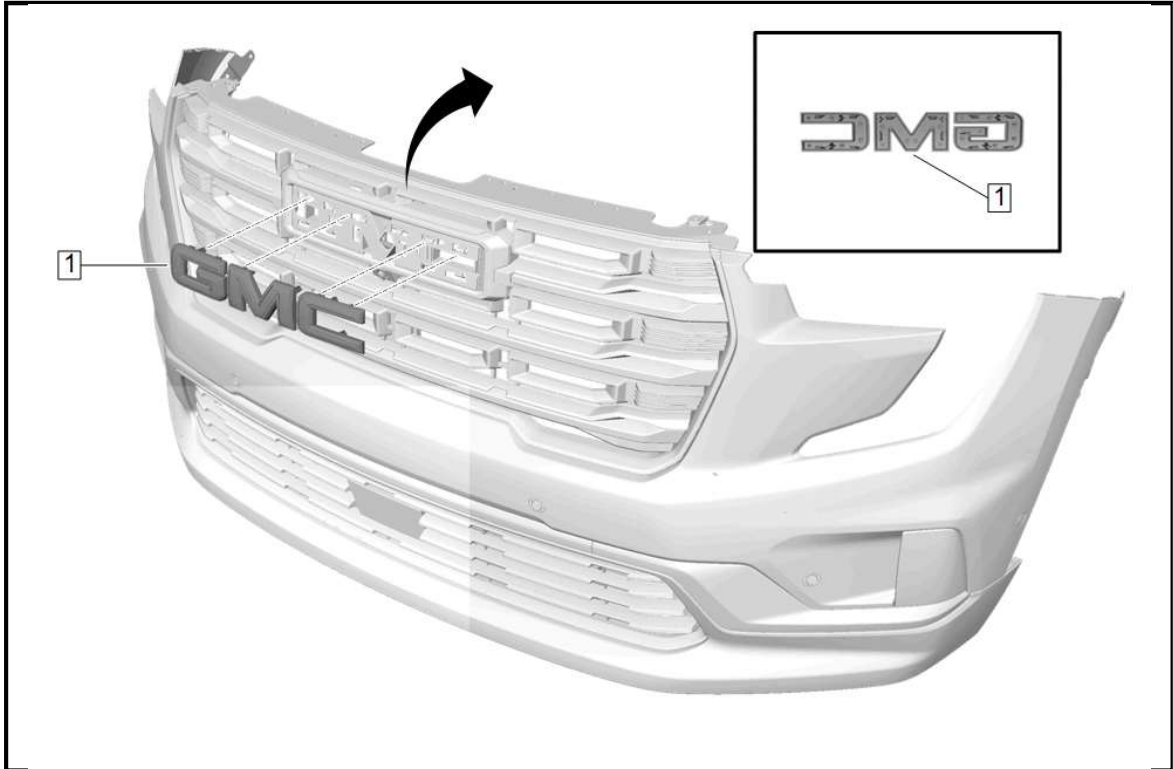
Trim Removal Tool

Procedure

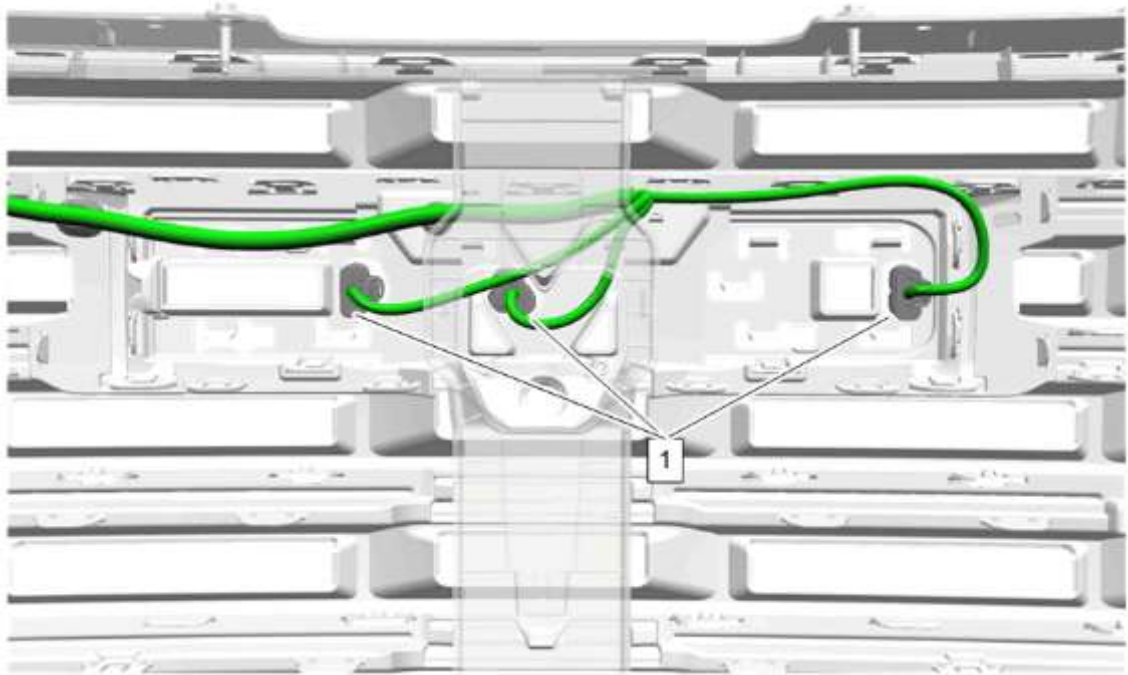
1. Disconnect the battery negative cable. [Battery Negative Cable Disconnection and Connection](#)



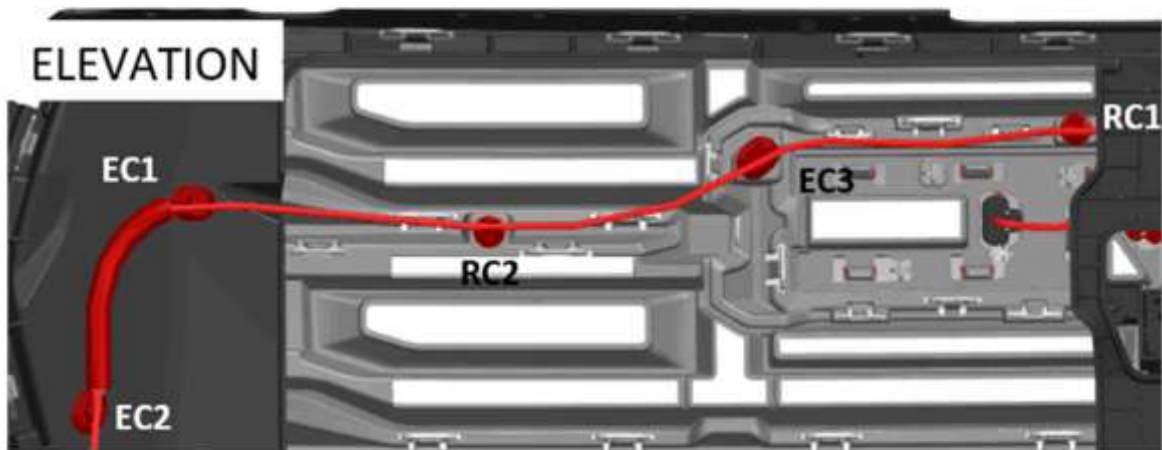
2. Front Bumper Fascia (1) » Remove — [Front Bumper Fascia Removal and Installation](#)
3. Using a suitable plastic trim tool, release the retaining tab.



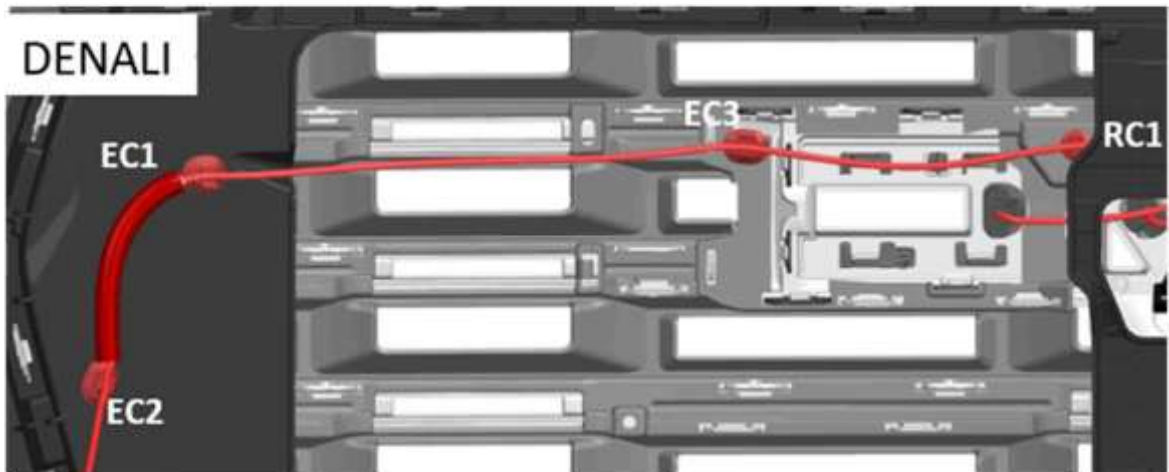
4. Front Grille Emblem/Nameplate (1) » Remove



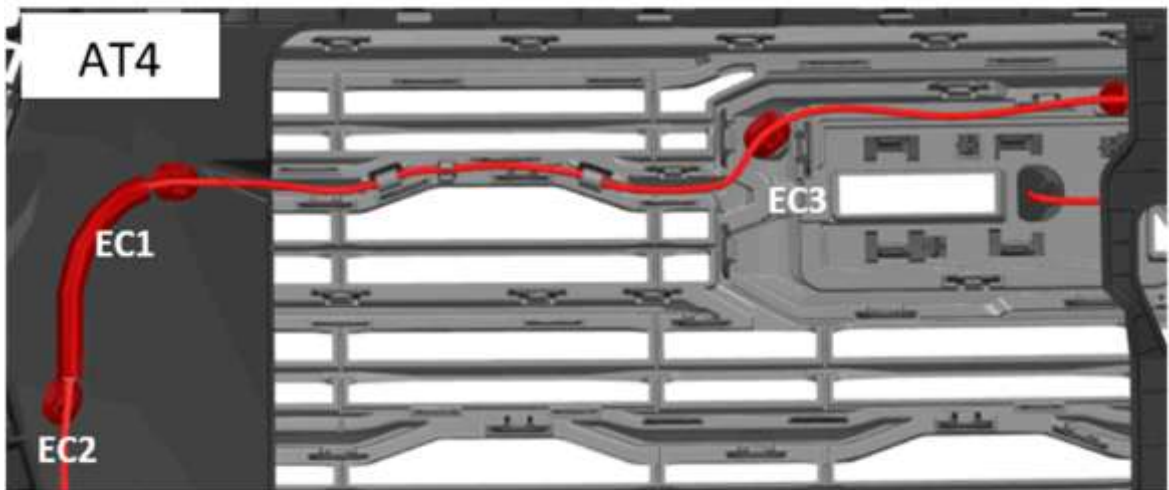
5. Position the Front Grille Illuminated Emblem Connectors(1). [3x]



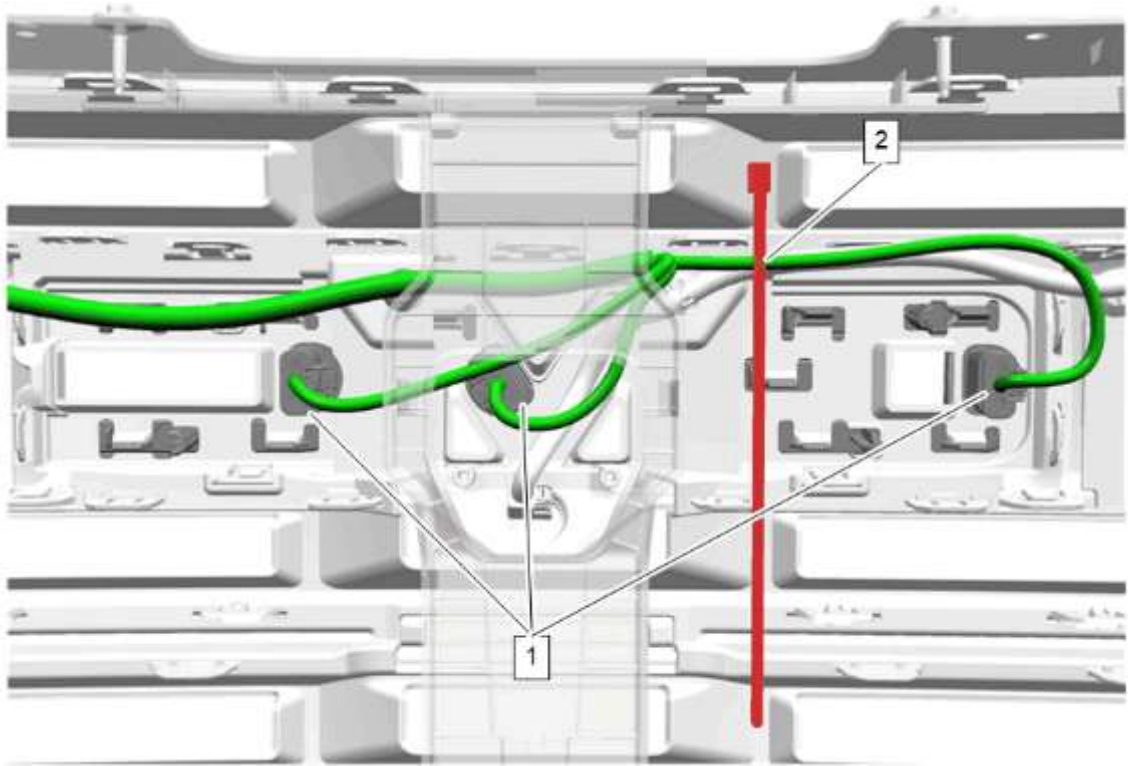
6. For ELEVATION : Bundle the harness with round HT CLIP(RC2)and elliptical HT CLIP(EC3) and then insert the HT CLIPS into the holes of grille.



7. For DENALI: Make the harness between EC1 and EC3 as straight as possible and then bundle an elliptical HT CLIP to the harness at location EC3. Then insert it into the hole on the grille.

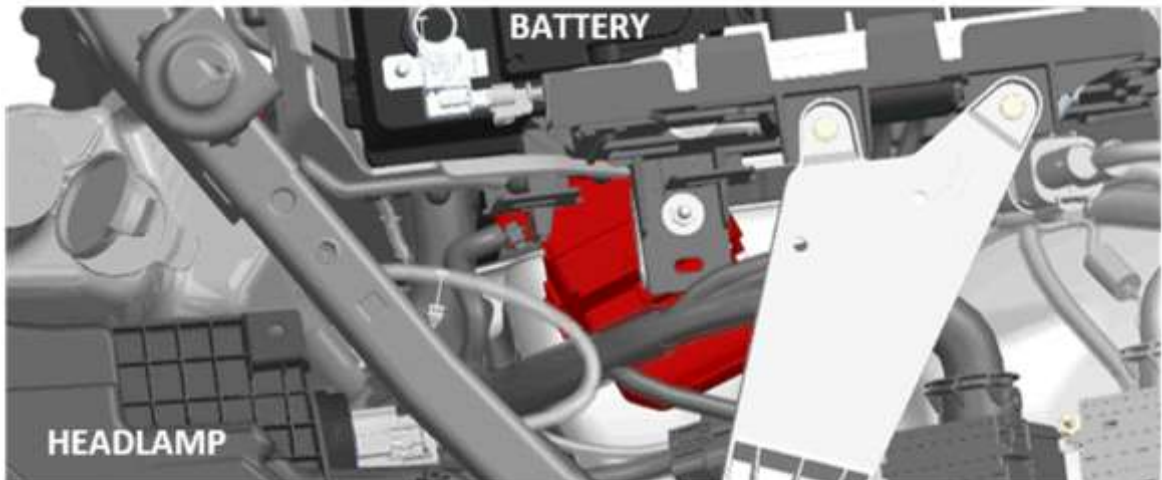


8. For AT4: Make the harness between EC1 and EC3 go through the feature on the back of the grille as below pic shows. Bundle the elliptical HT CLIP onto the emblem harness and then insert it into the hole on the grille.

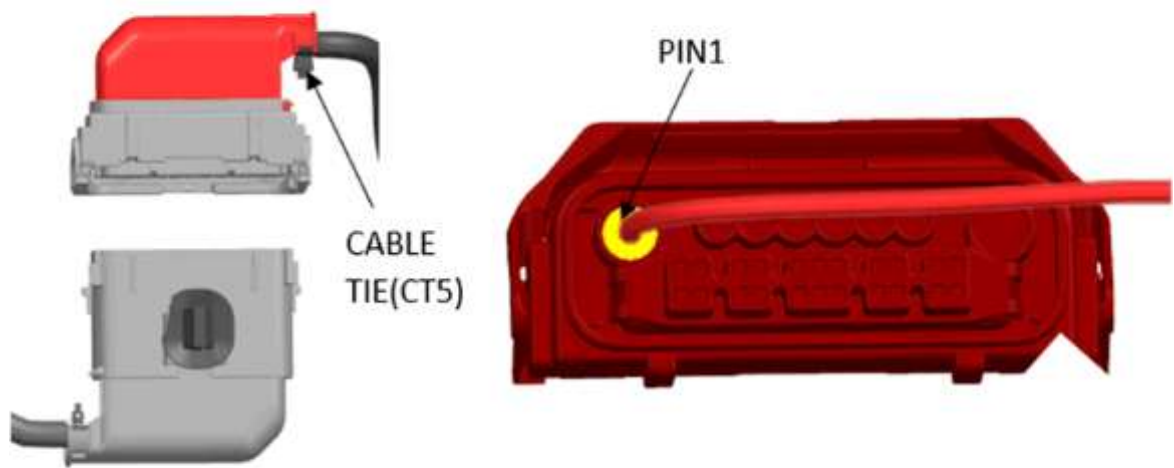


9. Front Grille Illuminated Emblem (1) » Install

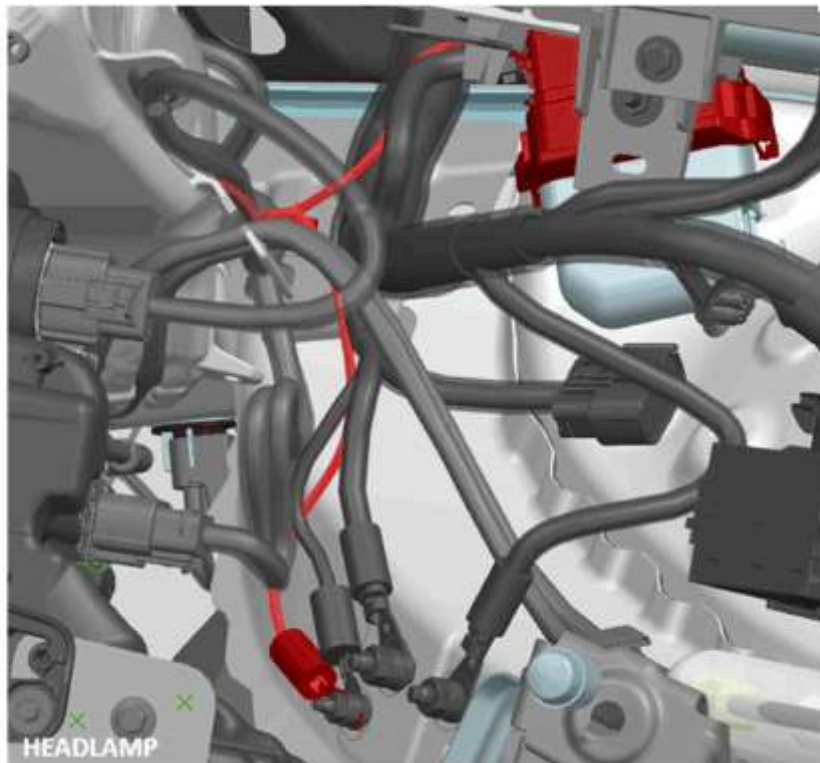
10. Use the included cable tie to secure the wiring harness as shown(2). Trim excess off cable tie.



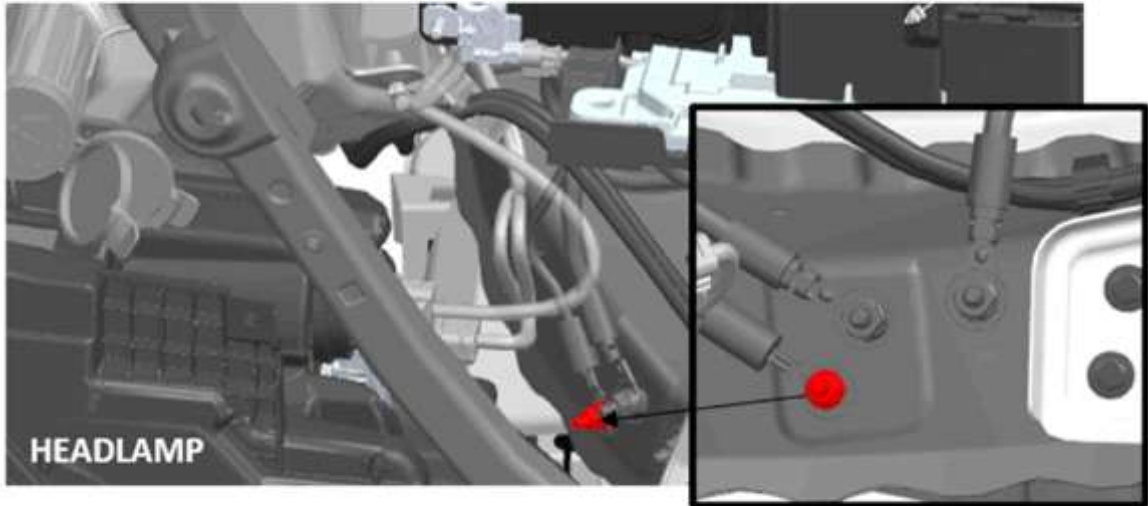
11. Find the vehicle inline connector closed to the battery bracket as below. Use removal tool to pull it out of the panel.



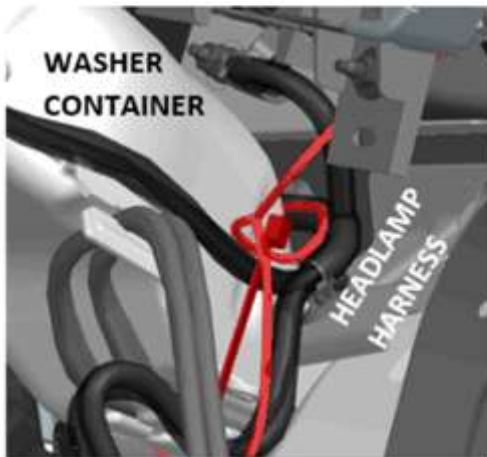
12. Disconnect X103 engine harness connector from the body harness connector Refer to [Inline Harness Connector End Views](#) in Vehicle Service Manual for connector disconnection.
13. Remove the dress cover.
14. Insert the connector terminal into the vehicle connector on Pin cave 1.
15. Connect inline connector.



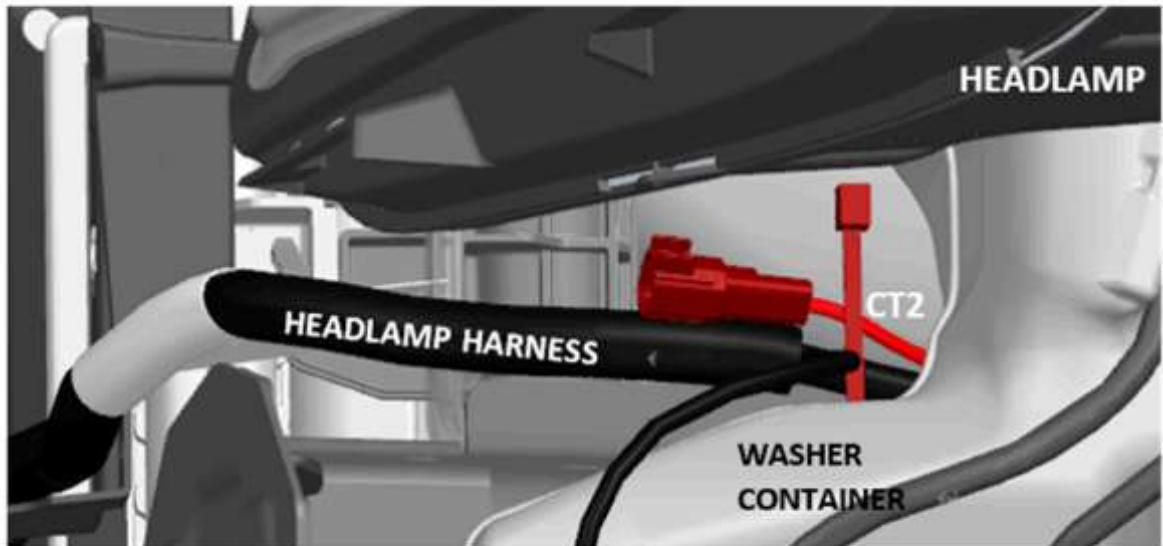
16. Route the emblem harness.



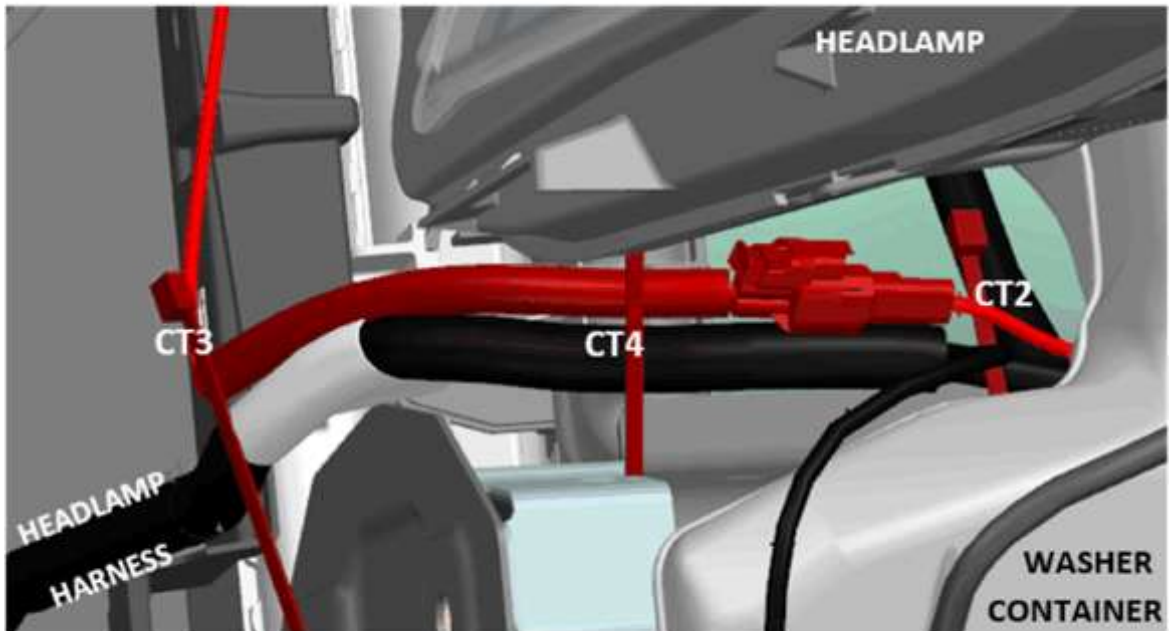
17. Remove the bolt and attach the ground ring terminal to the existing ground terminal. Reinstall bolt and tighten to **9 N•m (80 lb in)**.



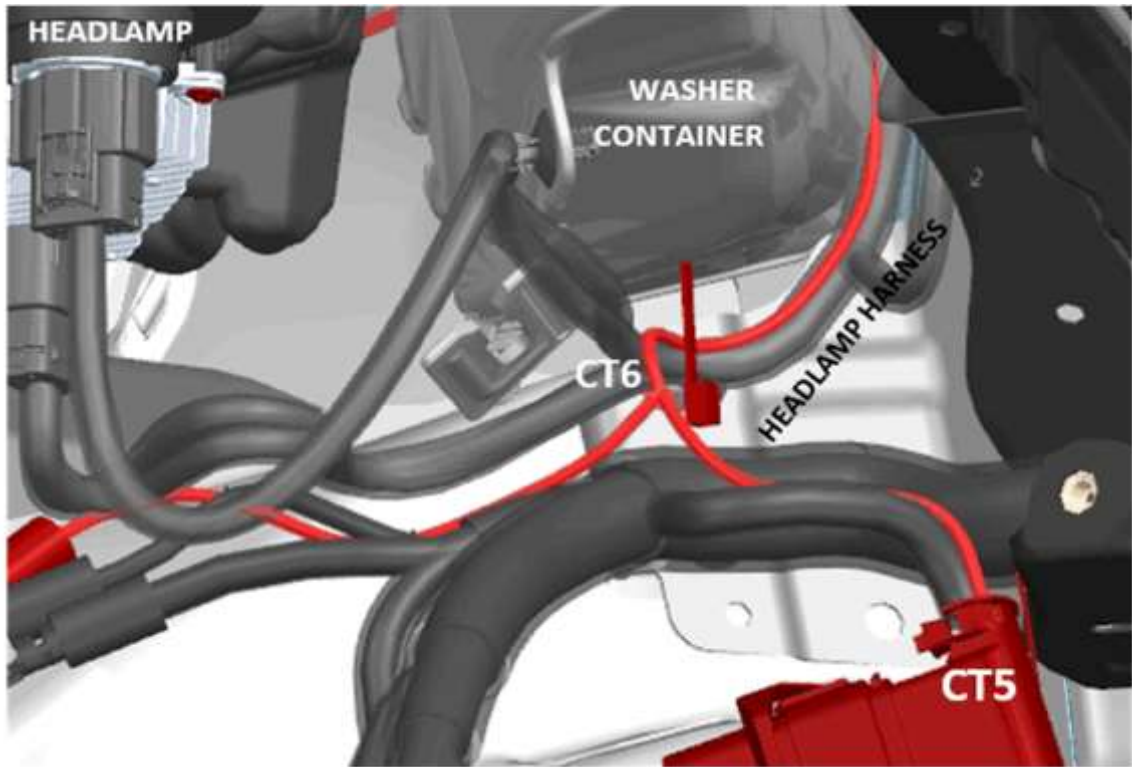
18. Make the main harness on vehicle side go through the space besides the washer container.
19. Use the included cable tie to secure the wiring harness Trim excess off cable tie.



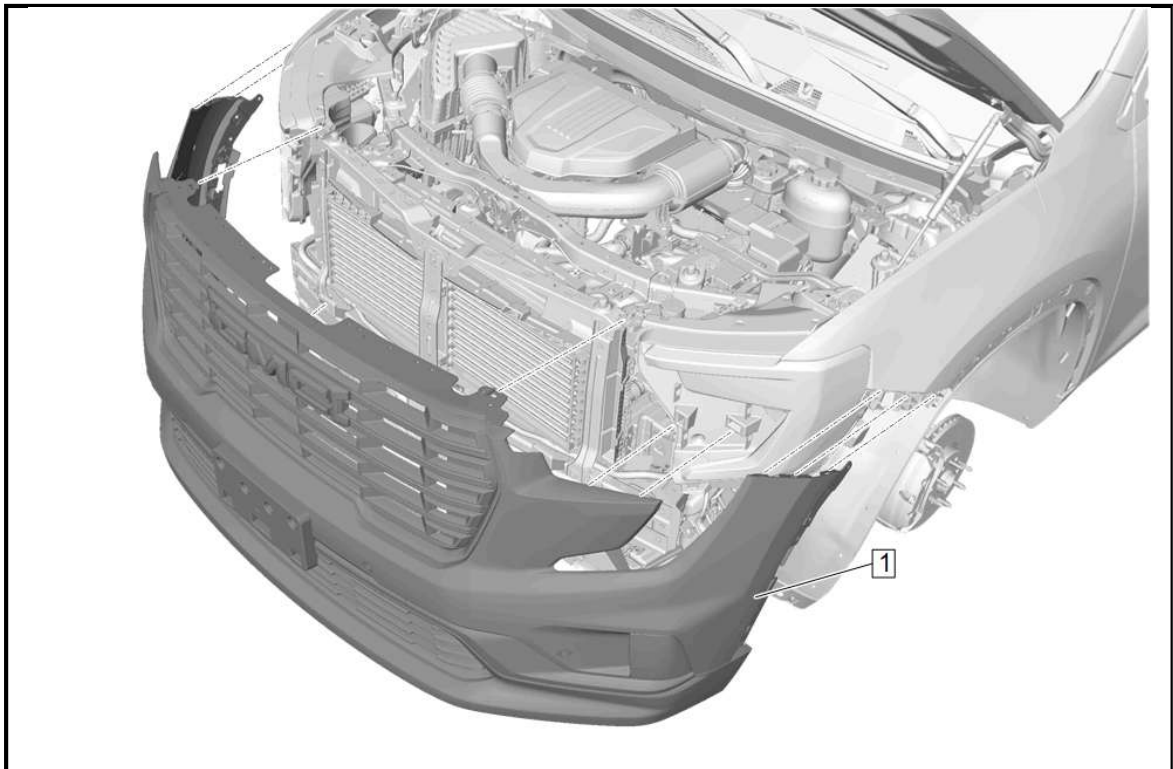
20. The emblem harness to headlamp harness at location CT2.
21. Use the included cable tie to secure the wiring harness Trim excess off cable tie.



22. Connect the inline connector of the emblem harness.
23. Use the included cable tie to secure the wiring harness(location CT3 and CT4)Trim excess off cable tie.



24. Use the included cable tie to secure the wiring harness(location CT5 and CT6)Trim excess off cable tie.



25. Front Bumper Fascia (1) » Install — [Front Bumper Fascia Removal and Installation](#)
26. Connect the battery negative cable. [Battery Negative Cable Disconnection and Connection](#)