

# Rear Mud Flap Package Installation

## Installation Instructions Part Number

26496130

Please read instructions thoroughly before starting.

### Kit Contents

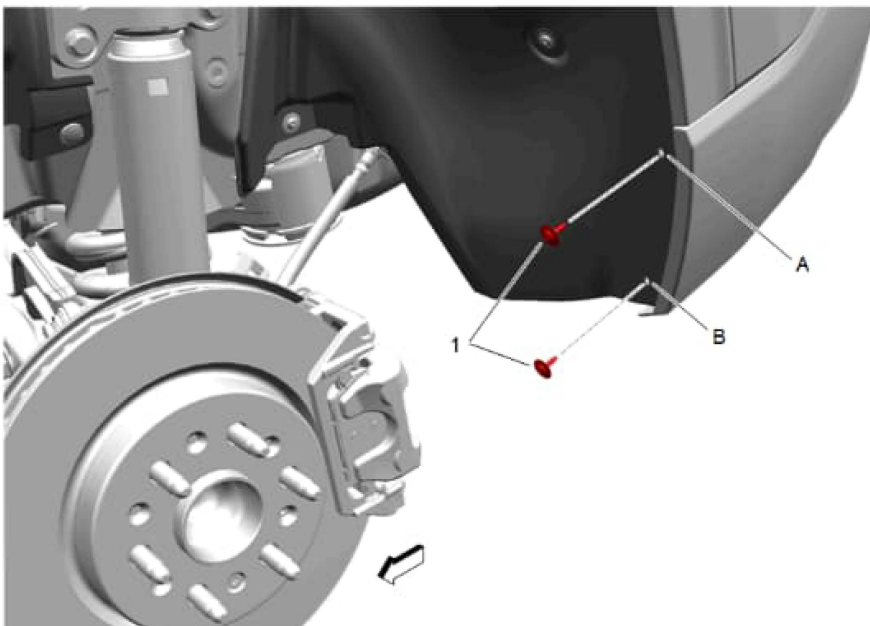
Qty	Description
1	Left Hand Splash Guard
1	Right Hand Splash Guard
1	Left Hand Bracket
1	Right Hand Bracket
2	Long Screw
2	Short Screw
2	Rivet
4	U-Nut
1	Instruction Sheet

### Tools Required

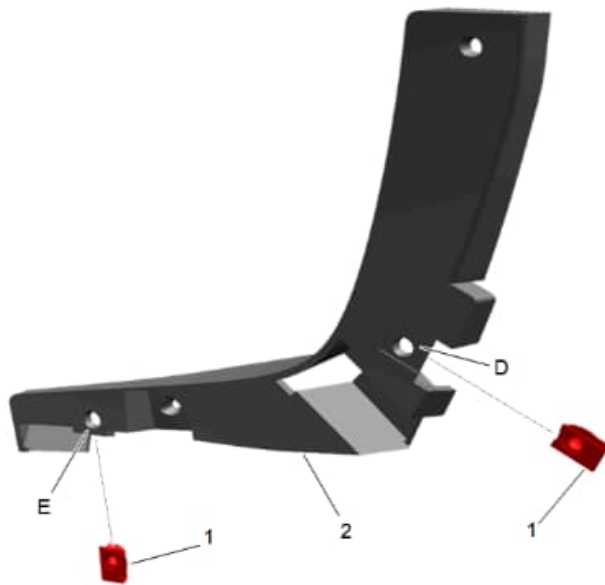
- T15 Torx Screwdriver
- 5mm (13/64") Drill Bit/Drill
- Rivet Gun
- Awl
- Clean Cloth/Rag
- Isopropyl Alcohol

### Procedure

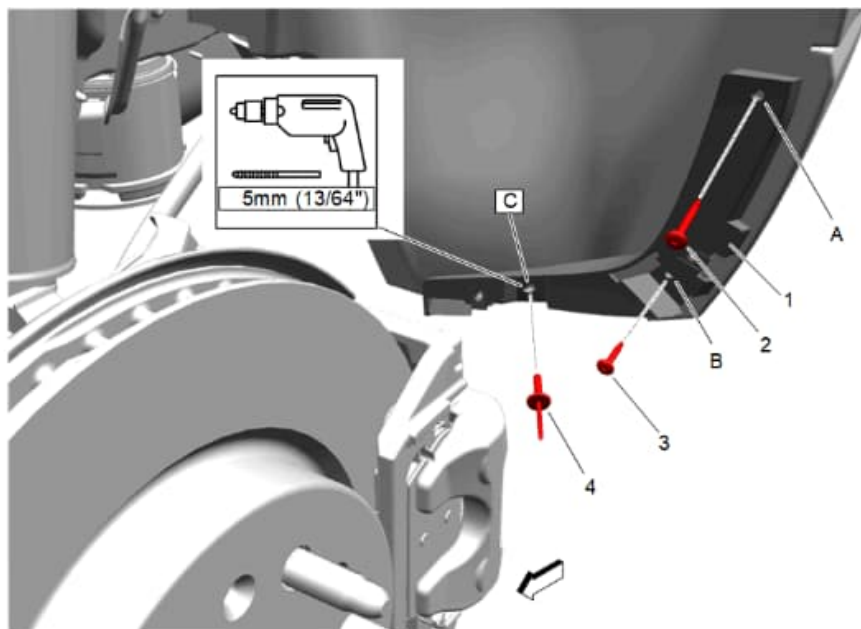
1. Remove the rear wheel and tire assembly. Refer to [Tire and Wheel Removal and Installation](#) in Vehicle Service Manual.
2. Clean and degrease body panel where splash guards are to be located.
3. Using isopropyl alcohol, clean area where tape will contact body panel.



4. Remove existing screws (1) at locations **(A)** and **(B)** and retain screws.



5. Install supplied U-nuts (1) onto the bracket (2) at locations **(D)** and **(E)**.



**Caution:** Use the correct fastener in the correct location. Replacement fasteners must be the correct part number for that application. Fasteners requiring replacement or fasteners requiring the use of thread locking compound or sealant are identified in the service procedure. Do not use paints, lubricants, or corrosion inhibitors on fasteners or fastener joint surfaces unless specified. These coatings affect fastener torque and joint clamping force and may damage the fastener. Use the correct tightening sequence and specifications when installing fasteners in order to avoid damage to parts and systems.

6. Install bracket (1) to the vehicle with supplied long screw (2) at location **(A)** and short screw (3) at location **(B)**.

**Tighten**

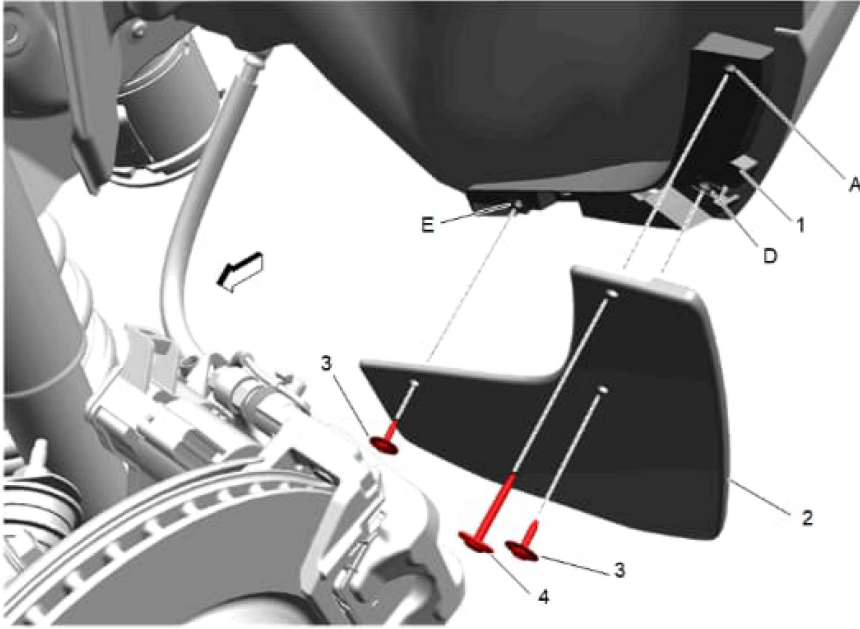
Tighten screws to 3.0 N.m (2.0 lb ft)

**Caution:** Always check size and position of all holes before drilling. Failing to do so may cause damage to the vehicle, misalignment of components or the inability to install the accessory.

7. While holding the bracket (1) firmly to the vehicle, carefully drill a 5mm (13/64") hole at location **(C)**.

8. Install supplied rivet (4) at location **(C)**.

9. Remove and retain long screw (2) from location **(A)**.



10. Install splash guard (2) to vehicle, making sure it is placed properly to bracket (1).
11. Install long screw (4) at location **(A)**, install previously retained screws (3) with washers at locations **(D)** & **(E)**.  
**Tighten**  
Tighten screws to 3.0 N.m (2.0 lb ft).
12. Install the rear wheel and tire assembly. Refer to [Tire and Wheel Removal and Installation](#) in Vehicle Service Manual.
13. Repeat procedure for other side.
14. Guards can be cleaned with any commercially available cleaner.

