

# Body Emblem Package Installation (Instruction ID: 26504545)

## Installation Instructions Part Number

26504545

### Kit Contents

Qty	Description
1	Emblem Assembly Bow Tie – Front Grille
1	Emblem Assembly Bow tie – Liftgate
1	Installation Instructions

### Tools Required

Suitable Plastic Flat-Bladed Tool

### Before you start

**Note:** For the nameplate to adhere best, the vehicle's mating surface (doors, rear compartment, etc.) should be free of damage (dents, scratches, creases, fractures, etc.).



**Caution:** Do not use heat gun/hair dryer or apply excessive heat to the emblem/nameplate as this may damage the paint and surrounding panel surfaces during removal.



**Caution:** Use a plastic, flat-bladed tool to prevent paint damage when removing an emblem/nameplate. Do not use fishing line to remove nameplate as this may worsen the tape residue cleaning process. Use Isopropyl Alcohol and Lint Free Cloth to remove tape residue. Heavy foam/adhesive residue remaining on the painted surface can be removed using 3M's Scotch-Brite™ Molding Adhesive and Stripe Removal 4-inch Foam Disc. DO NOT use hard Stripe off wheel.

**Caution:** Only install nameplates as a direct replacement of the existing vehicle content.

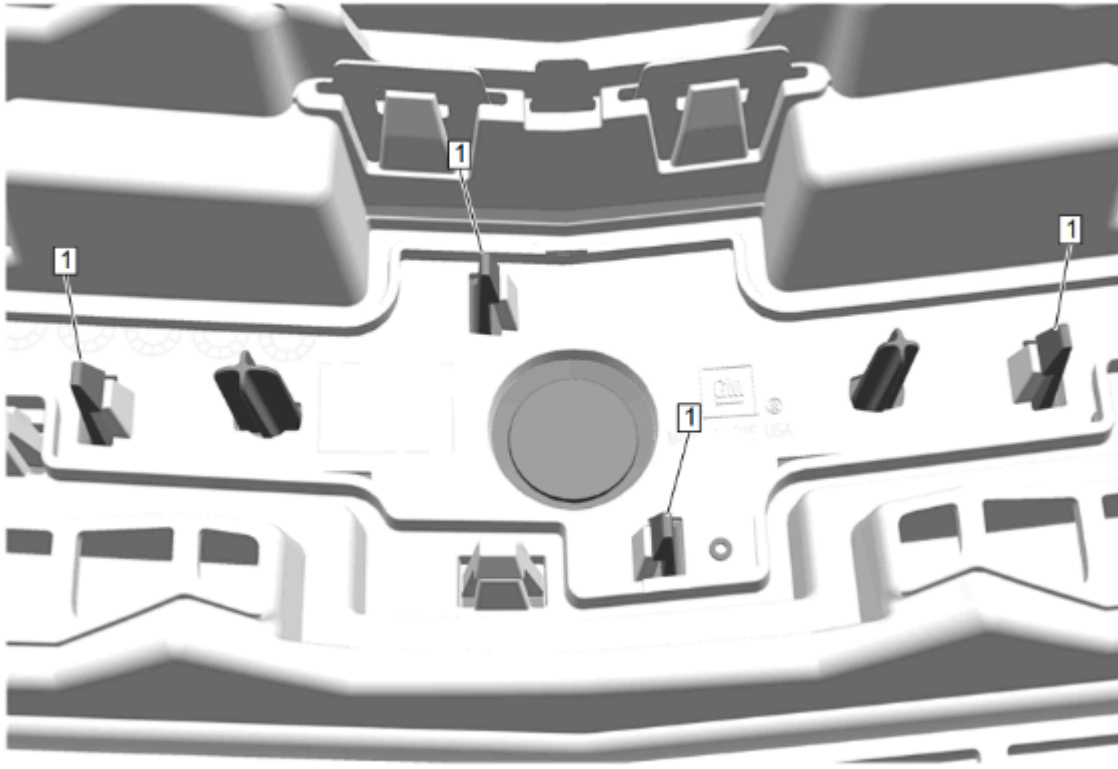
1. The part and surface should be 21°C (70°F) prior to installation. The vehicle should remain 21°C (70°F) for one hour after assembly to allow adhesive to develop sufficient bond strength.
2. Use a plastic flat-bladed tool to remove the nameplate.
3. Wash the vehicle mating surfaces (Body Side Panel) with a non-petroleum based cleaning product. If a stronger cleaner is required to remove any contaminants, use 3M® general purpose Adhesive Cleaner (P/N 08984). Then, thoroughly dry with a soft clean cloth.
4. Wipe the area with isopropyl alcohol where the nameplate will be installed. Wipe surface dry with a clean lint-free towel.

## Procedure

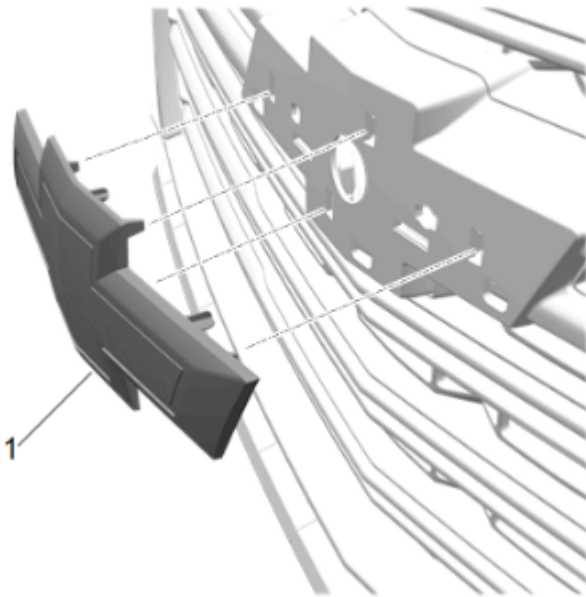
1. **Front Bow Tie Emblem Replacement.** Read all instructions before performing procedure.
2. Turn off the vehicle.
3. Open the hood.

**Note:** Upon removing the front bumper fascia, complete removal of the front wheelhouse liner is not required. Remove only the front section of wheelhouse liner and pull back wheelhouse liner to access front bumper fascia retainers.

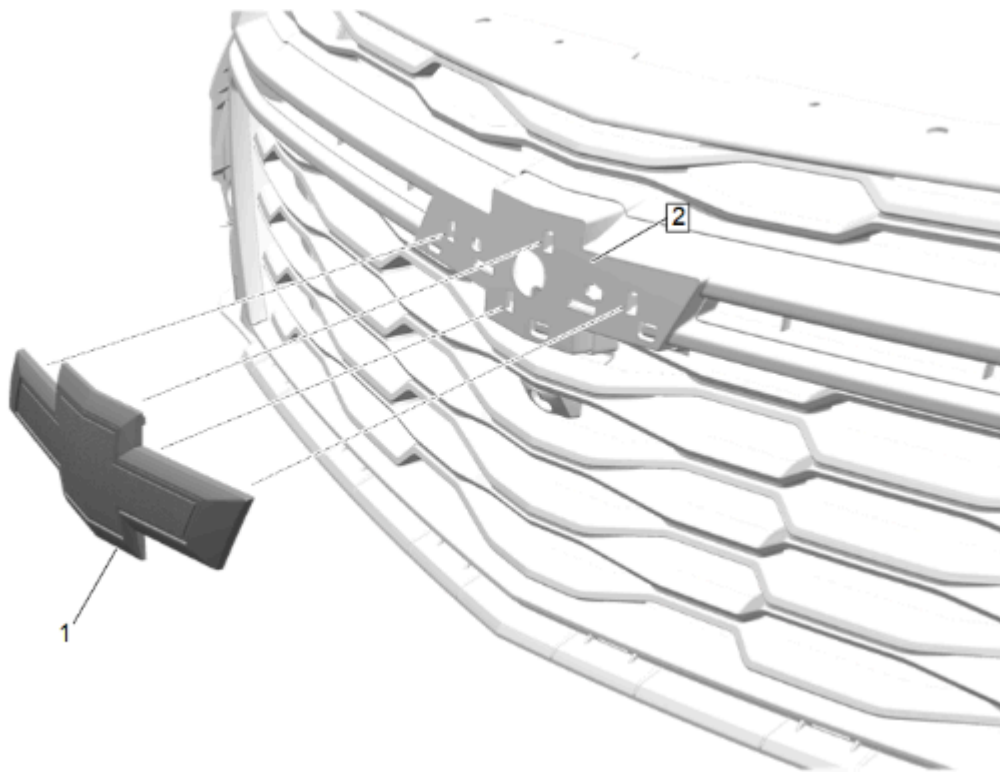
4. Remove the front bumper fascia. Refer to [Front Bumper Fascia Replacement](#) in Vehicle Service Manual.



5. Using a suitable plastic flat-bladed tool, release the locking tabs (1) on the back of the front grille emblem.

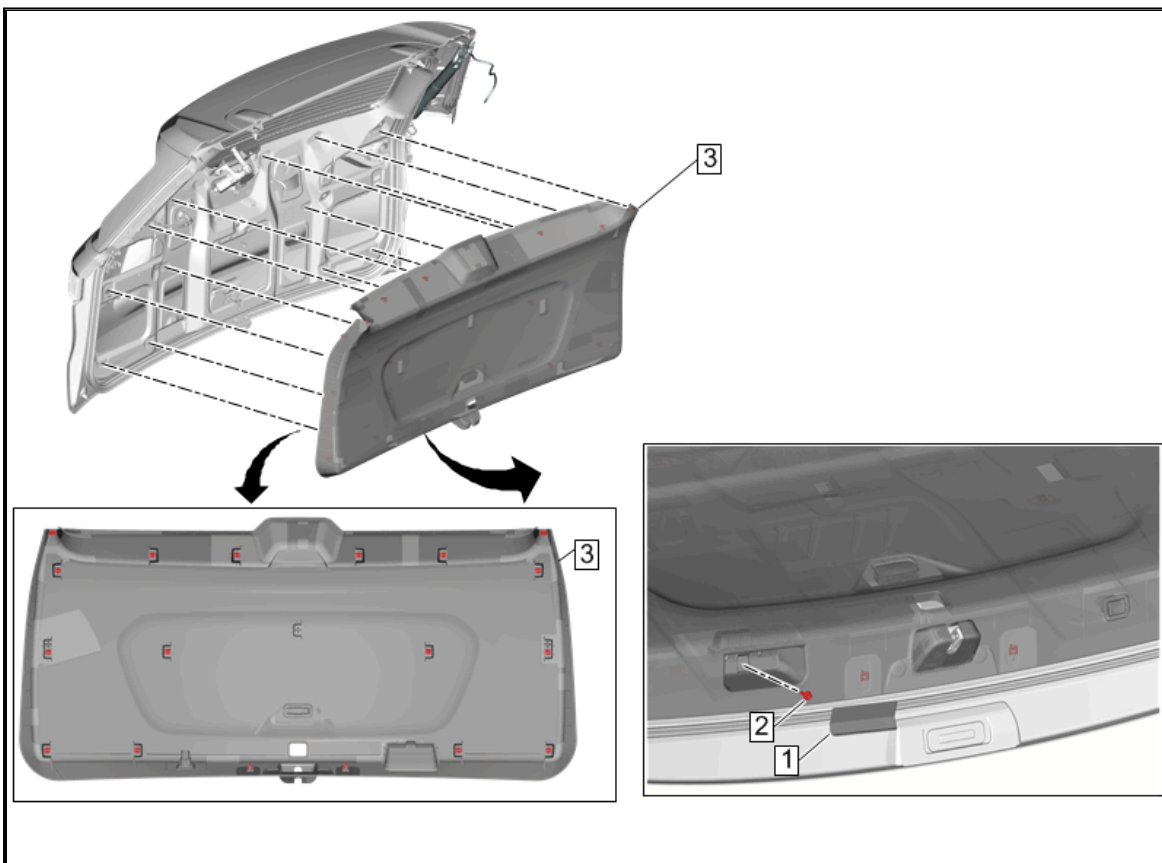


6. Remove the front grille emblem (1) from the front grille.



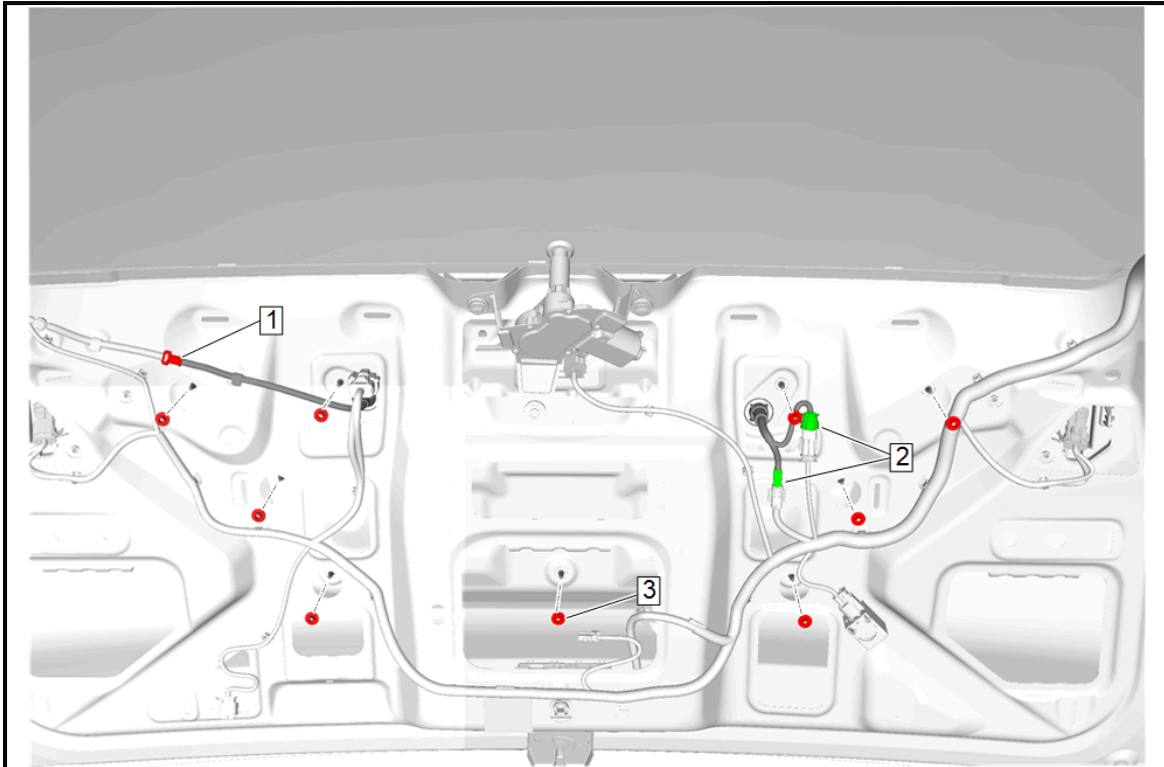
7. Install new front grille emblem (1) to front grille (2) making sure all retaining tabs are engaged.
8. Reinstall the front bumper fascia. Refer to [Front Bumper Fascia Replacement](#) in Vehicle Service Manual.
9. Check headlamp/foglamp functions.

### Rear Bow Tie Emblem Replacement



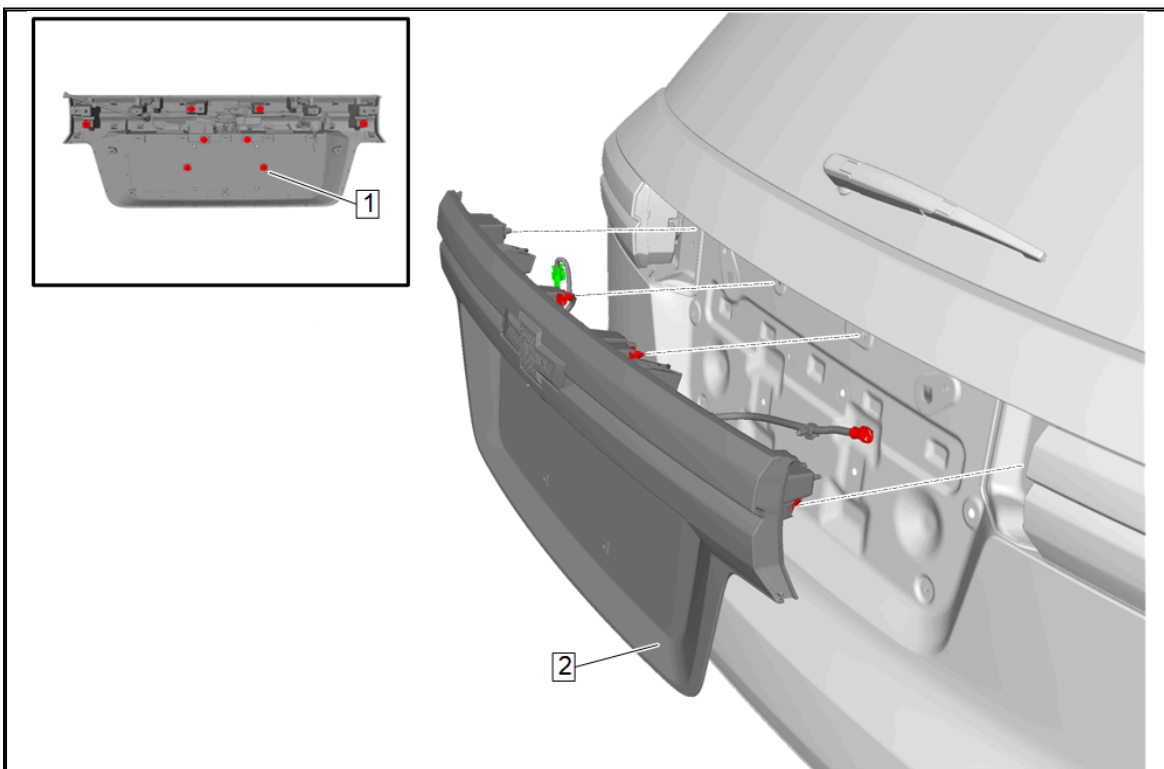
1. Liftgate Inside Pull Handle Cover (1) » Remove
2. Liftgate Lower Trim Finish Panel Bolt (2) » Remove

3. Liftgate Lower Trim Finish Panel (3) » Remove
4. Disconnect the electrical connector.



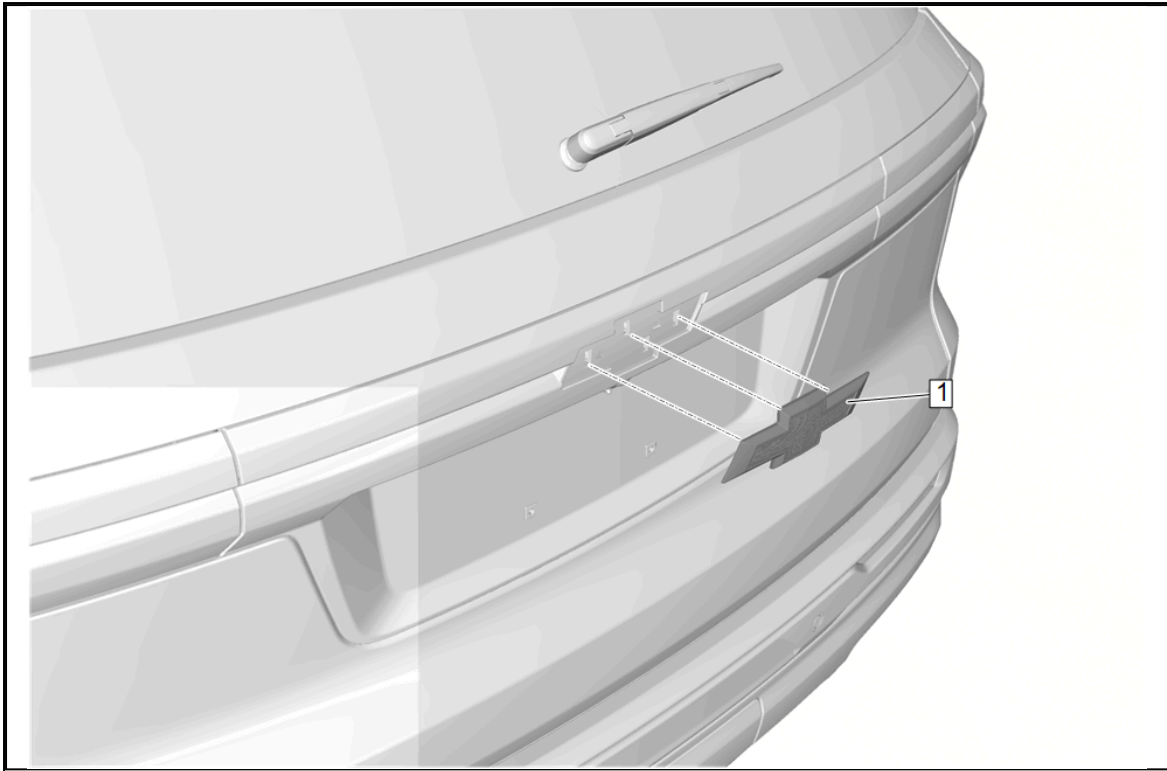
© 2025 General Motors. All rights reserved.

5. Release the water hose grommet at the liftgate.
6. Disconnect the rear washer hose. (1)
7. Disconnect the electrical connectors and release the wiring harness retainers as necessary. (2)
8. Release the wiring harness from the liftgate.
9. Rear Closure Center Applique Nut (3) » Remove [9x]

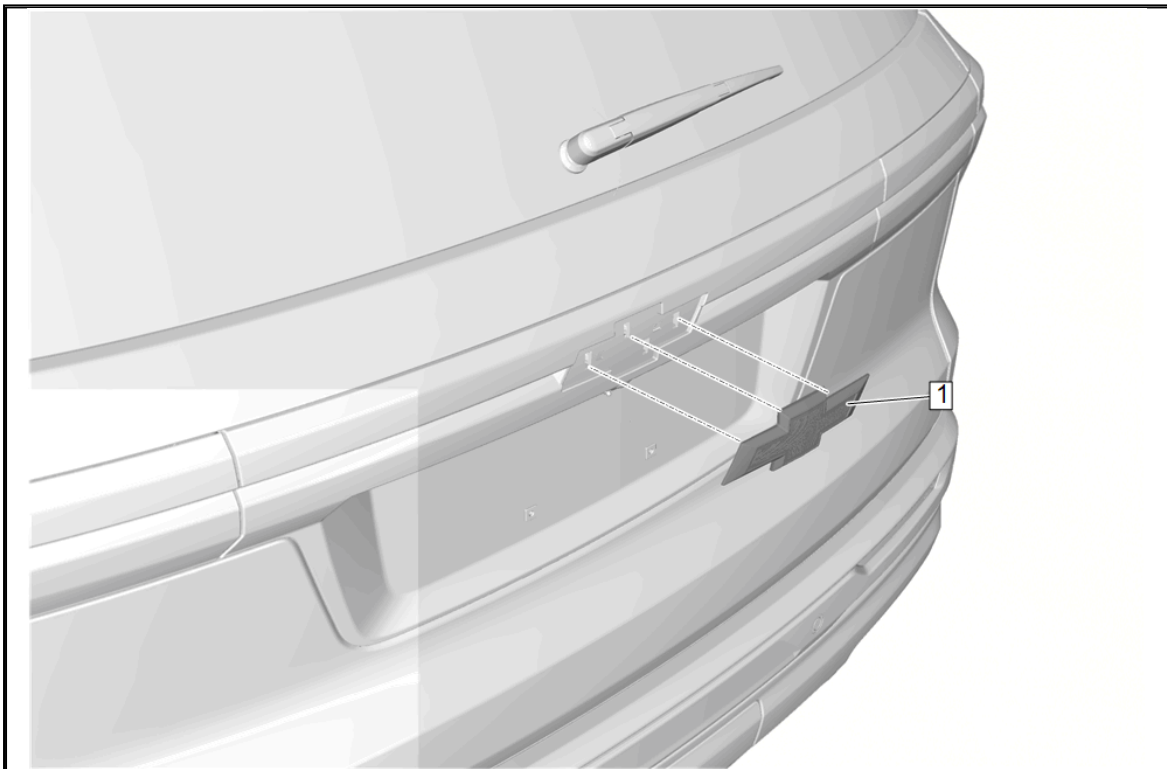


10. Rear Closure Center Applique Clip (1) » Remove [8x]

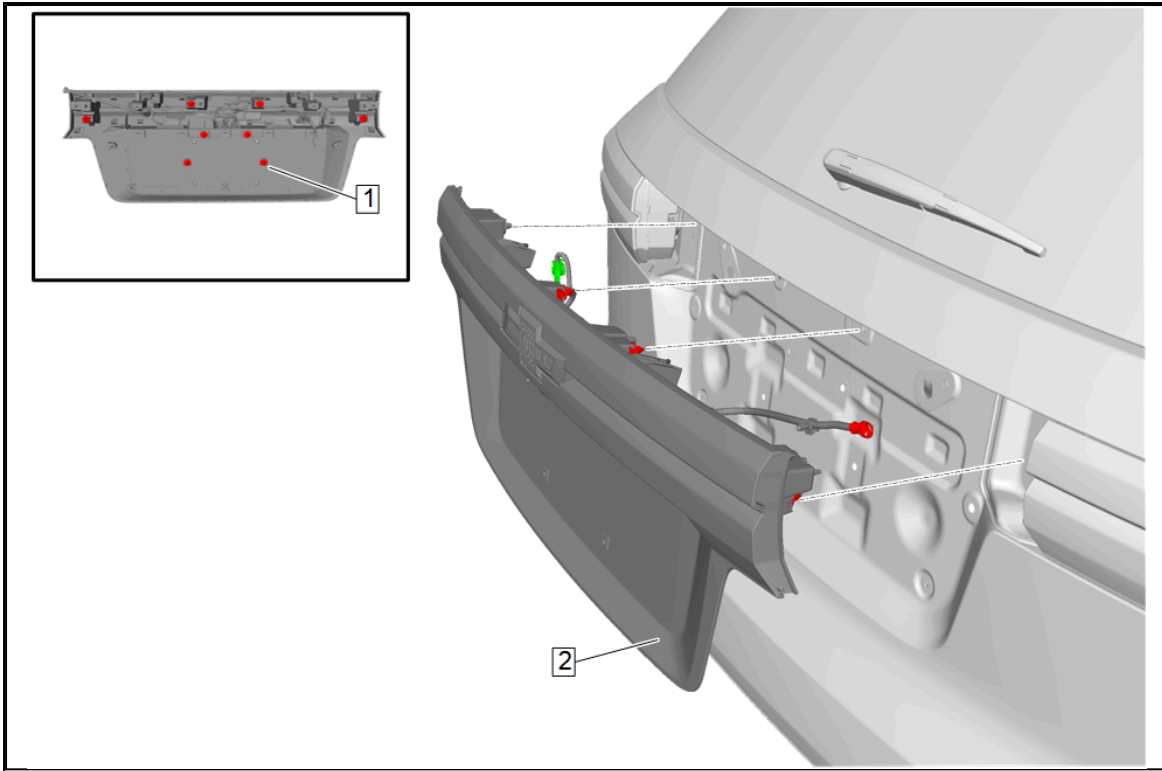
11. Rear Closure Center with License Plate Lamp Applique (2) » Remove



12. Liftgate Emblem/Nameplate (1) » Remove

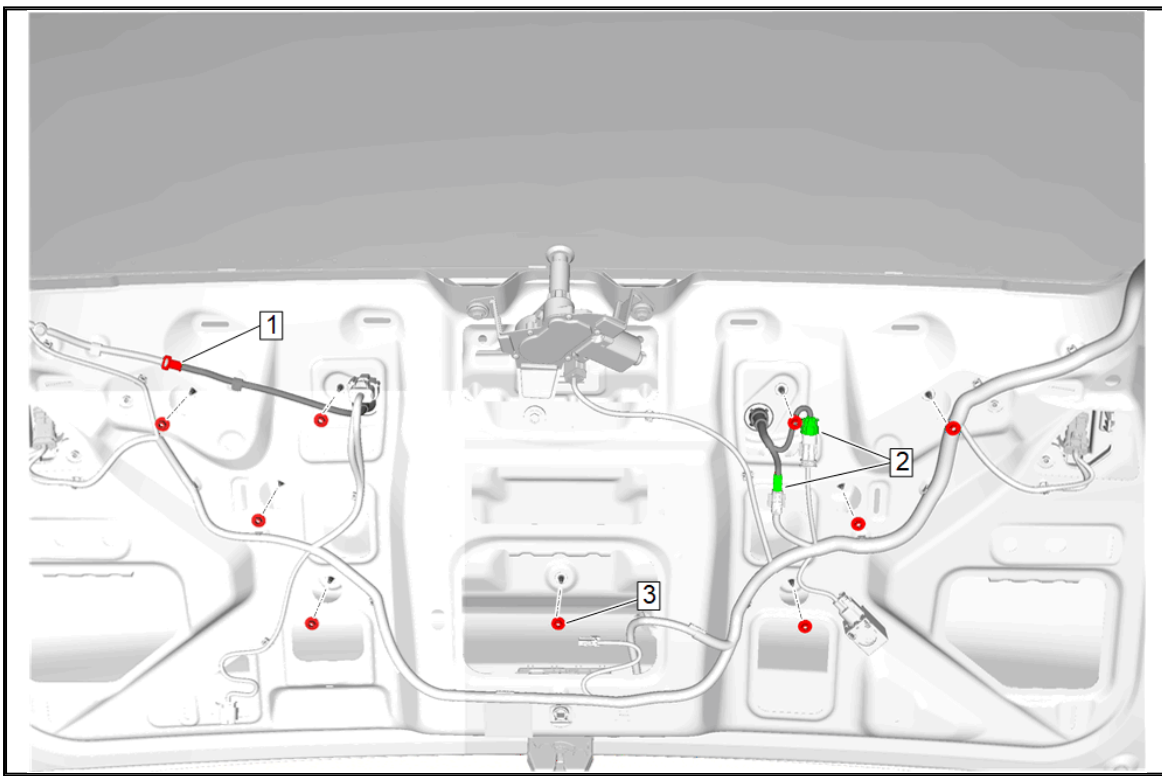


13. Liftgate Emblem/Nameplate (1) » Install



© 2025 General Motors. All rights reserved.

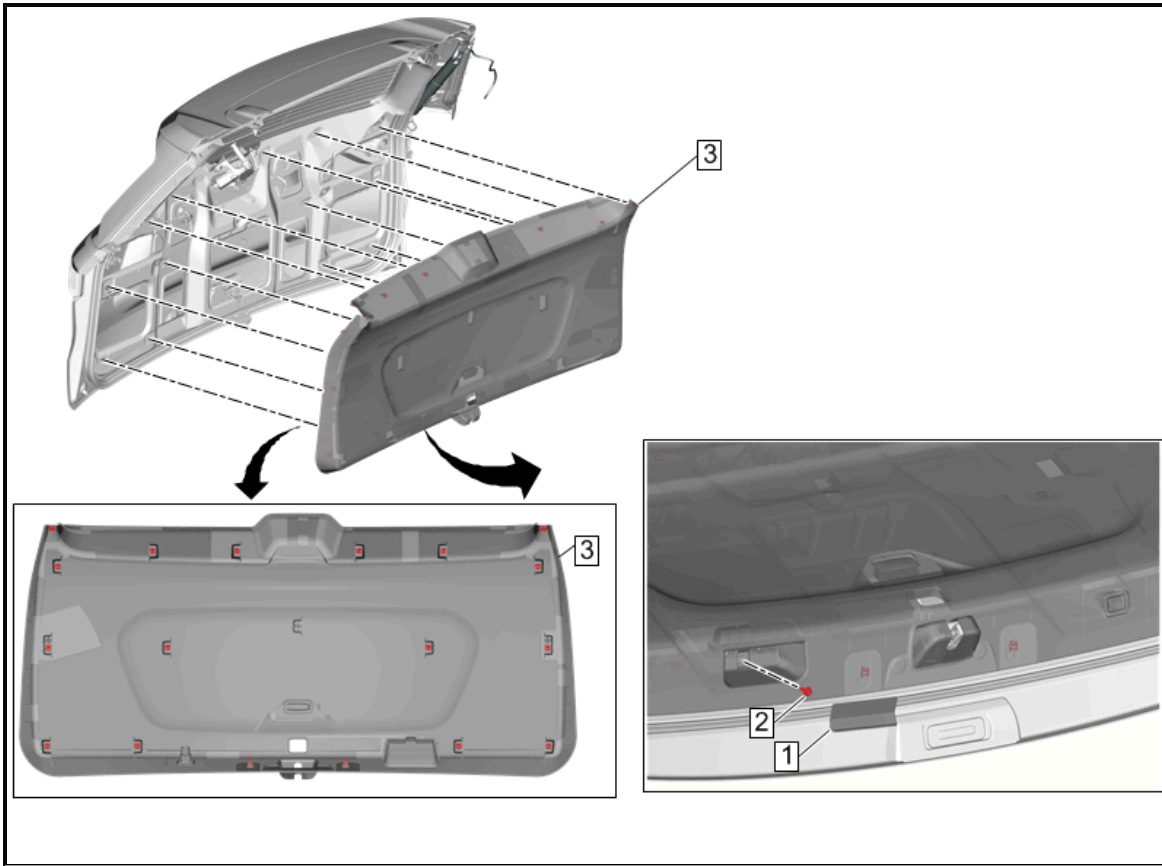
14. Rear Closure Center with License Plate Lamp Applique (2) » Install



**Caution:** Use the correct fastener in the correct location. Replacement fasteners must be the correct part number for that application. Fasteners requiring replacement or fasteners requiring the use of thread locking compound or sealant are identified in the service procedure. Do not use paints, lubricants, or corrosion inhibitors on fasteners or fastener joint surfaces unless specified. These coatings affect fastener torque and joint clamping force and may damage the fastener. Use the correct tightening sequence and specifications when installing fasteners in order to avoid damage to parts and systems.

- 15. Rear Closure Center Appliance Nut (3) » Install and tighten to 4.7 N.m (42 lb in) [9x] —
- 16. Install the wiring harness from the liftgate.
- 17. Connect the electrical connectors and install the wiring harness retainers as necessary. (2)

18. Connect the rear washer hose. (1)
19. Install the washer hose grommet to the liftgate.



20. Connect the electrical connector.
21. Liftgate Lower Trim Finish Panel (3) » Install
22. Liftgate Lower Trim Finish Panel Bolt (2) » Install and tighten to 2.5 N.m (22 lb in) —
23. Liftgate Inside Pull Handle Cover (1) » Install