

# Trailer Hitch Platform Package Installation (Instruction ID: 26504757)

## Installation Instructions Part Number

26504757

## Hitch Capacity

**Trailer Weight Rating:** 1500 lb. (Specific to this vehicle)

**Tongue Weight:** 10-15% of trailer weight up to 250 lb.

Use as weight carrying only.

**Warning:** Although this hitch is designed to safely tow its rated load, we recommend that you consult your vehicle owner's manual for possible manufacturer's recommendations or limitation. Be sure your trailer has safety chains and that each chain will hold the trailer's maximum gross weight.

## Kit Contents

Qty	Description
1	Platform Assembly – Trailer Hitch
1	Wiring Harness
6	M12 Bolts
2	Reinforcement Plates
1	Installation Instructions

## Tools Required

Torque wrench

9/32, 7mm, 10mm, 15mm and 18mm sockets

T15 and T20 driver

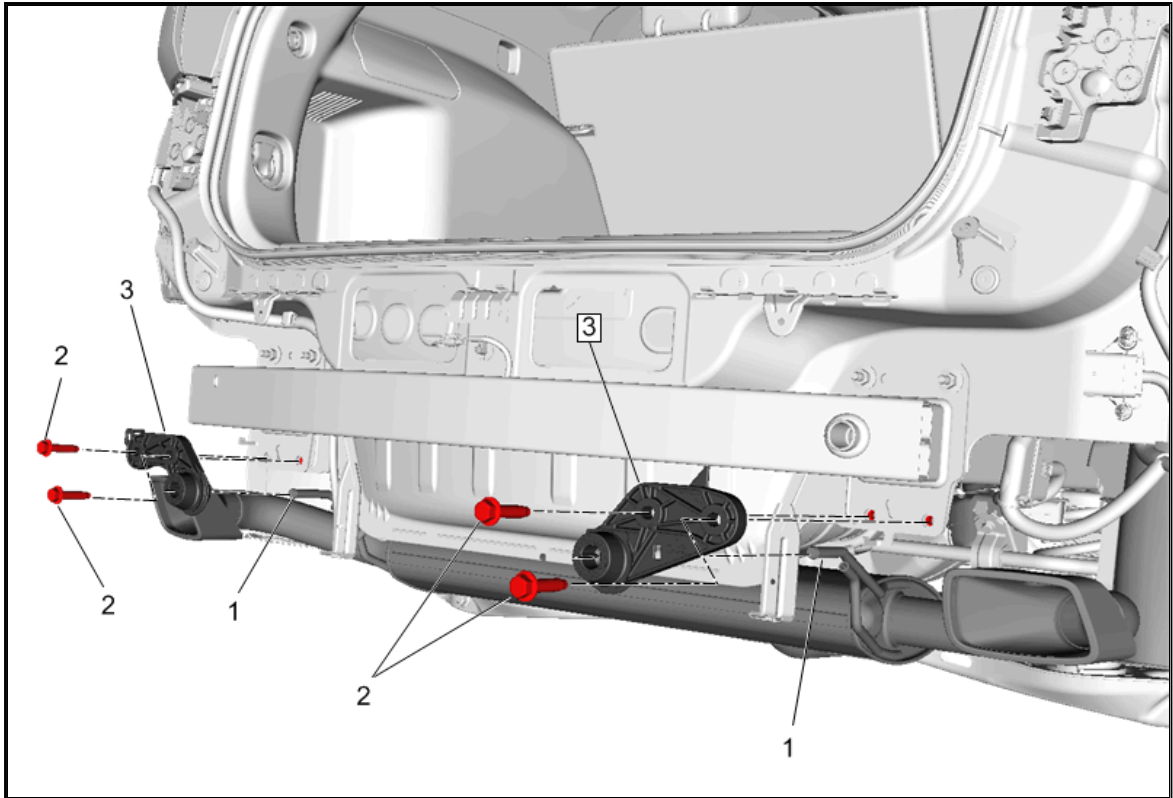
## Procedure

### Warning:

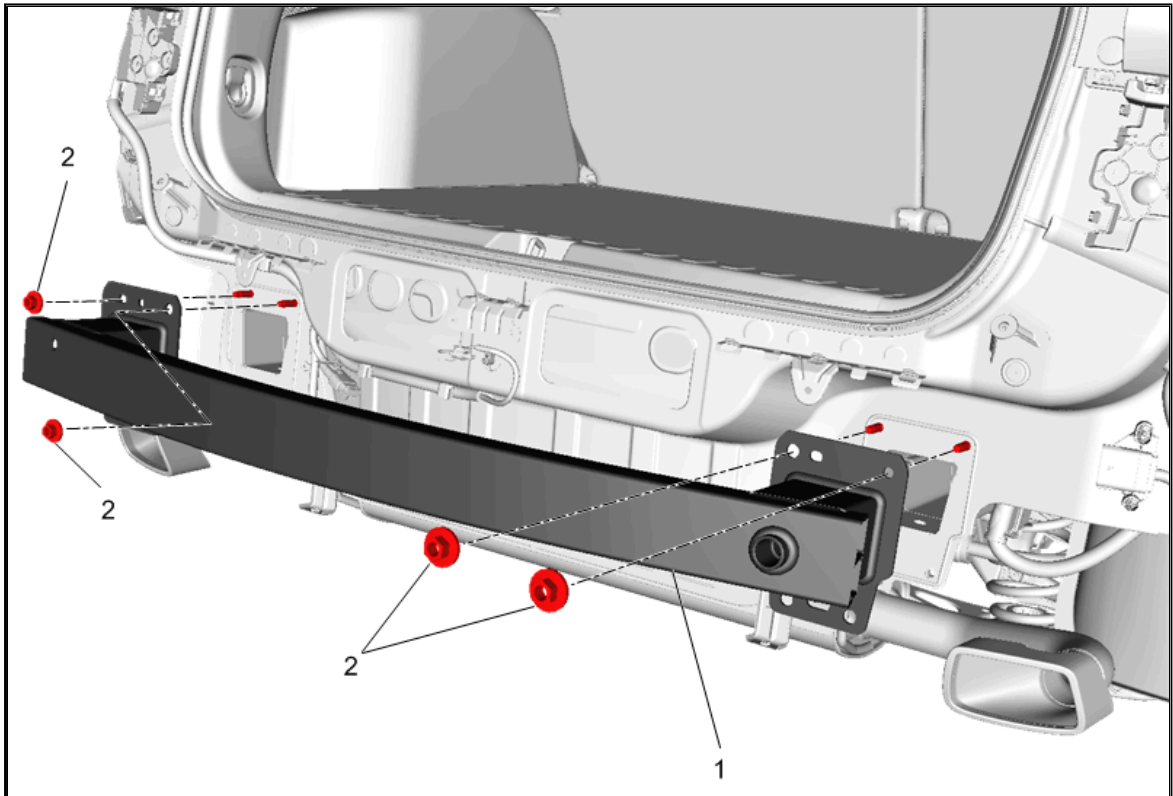
- Wear Safety glasses in order to avoid eye damage.
- In order to avoid being burned, do not service the vehicle while the exhaust system is still hot. Service the vehicle when the exhaust system is cool.

**Note:** This accessory will require programming via SPS after installation.

1. Prior to hitch platform install, remove the rear bumper fascia and install the rear bumper fascia trailer hitch access hole cover. Refer to Instruction ID: 23416955 for Equinox or Instruction ID: 84048218 for Terrain [Rear Bumper Fascia Trailer Hitch Access Hole Cover Package Installation](#) in Accessory Installation Manual.

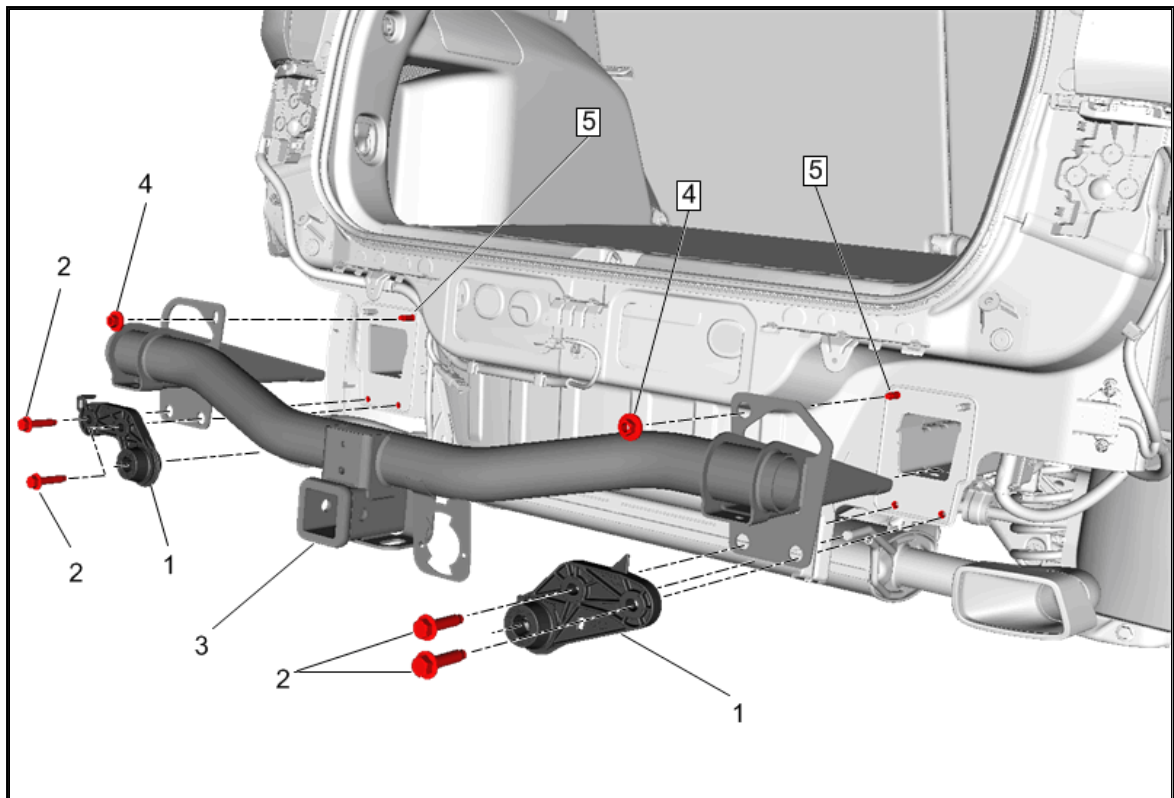


2. Remove and retain the bolts (2) securing the rear exhaust hangers (3) to the rear impact bar.
3. Remove the rear exhaust hangers from the muffler assembly (1).



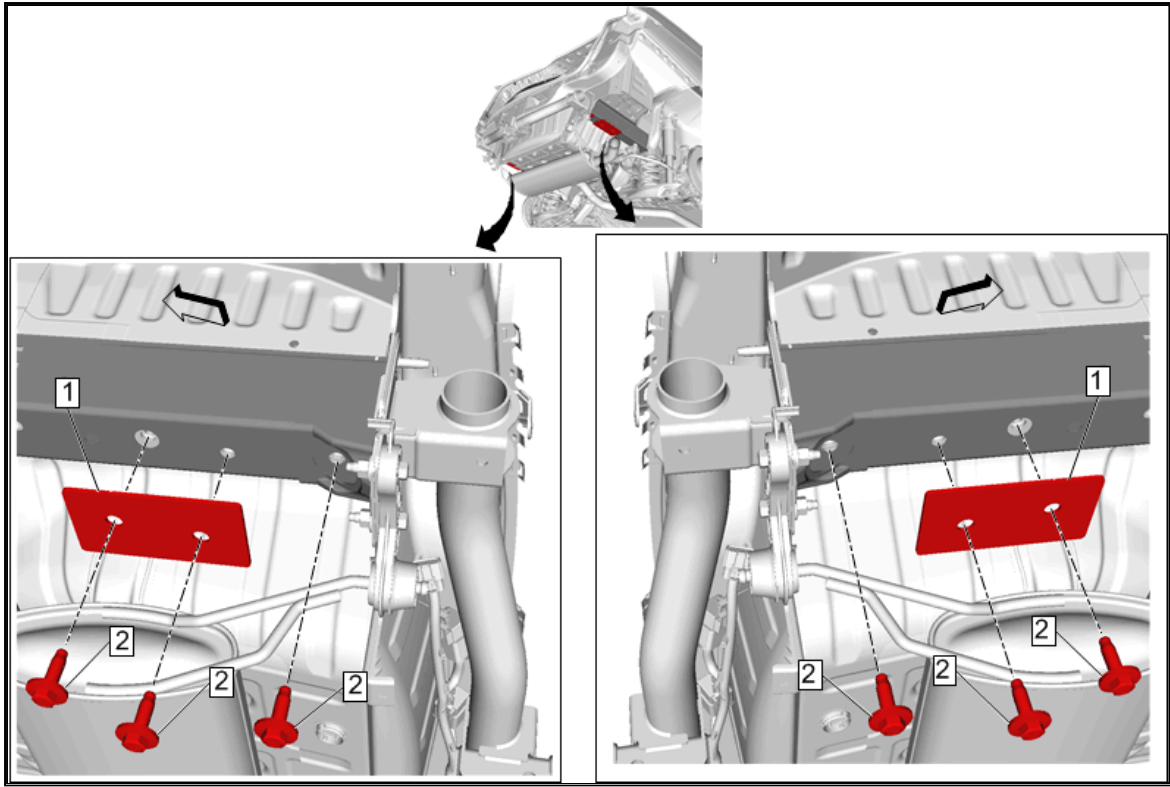
4. Remove and retain the nuts (2) securing the rear fascia impact bar.

5. Remove the rear fascia impact bar (1) from vehicle.



**Caution:** Use the correct fastener in the correct location. Replacement fasteners must be the correct part number for that application. Fasteners requiring replacement or fasteners requiring the use of thread locking compound or sealant are identified in the service procedure. Do not use paints, lubricants, or corrosion inhibitors on fasteners or fastener joint surfaces unless specified. These coatings affect fastener torque and joint clamping force and may damage the fastener. Use the correct tightening sequence and specifications when installing fasteners in order to avoid damage to parts and systems.

6. With the aid of an assistant, insert the platform assembly – trailer hitch (3) into the body rails. Secure with previously retained nuts (4) to the studs (5).  
**Tighten**  
Tighten the nuts to 58 N.m (43 lb ft).
7. Install the rear exhaust hangers (1) to the platform assembly – trailer hitch and install the previously retained bolts (2).  
**Tighten**  
Tighten the bolts to 58 N.m (43 lb ft).



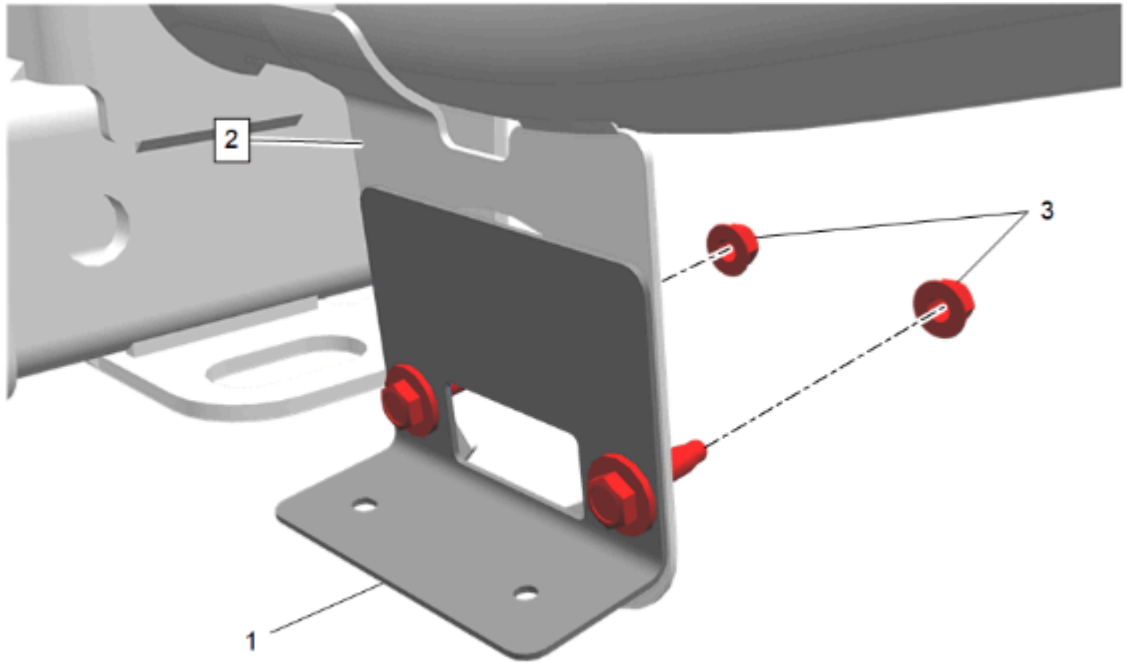
8. Install the reinforcement plates (1) to the under side and secure the platform assembly – trailer hitch with the supplied M12 bolts (2) with 18 mm socket.

**Note:** Some frame rails will only have provisions for 2 bolts on each side. Which will allow for the maximum tow limit of 1500 lbs. Drilling of the hole for the 3rd bolt is not needed. For Diesel applications only 2 bolts have clearance to the Emission Reduction Fluid Tank. The middle bolt is not used.

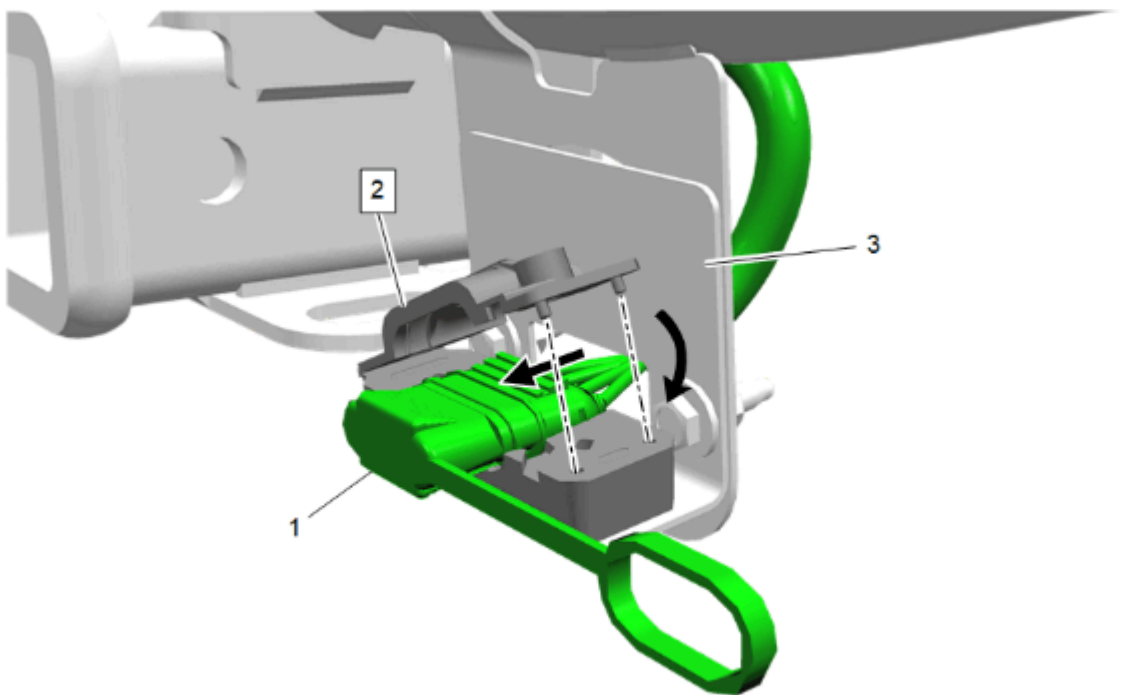
**Tighten**

Tighten the 18 mm bolts to 100 N.m (74 lb ft).

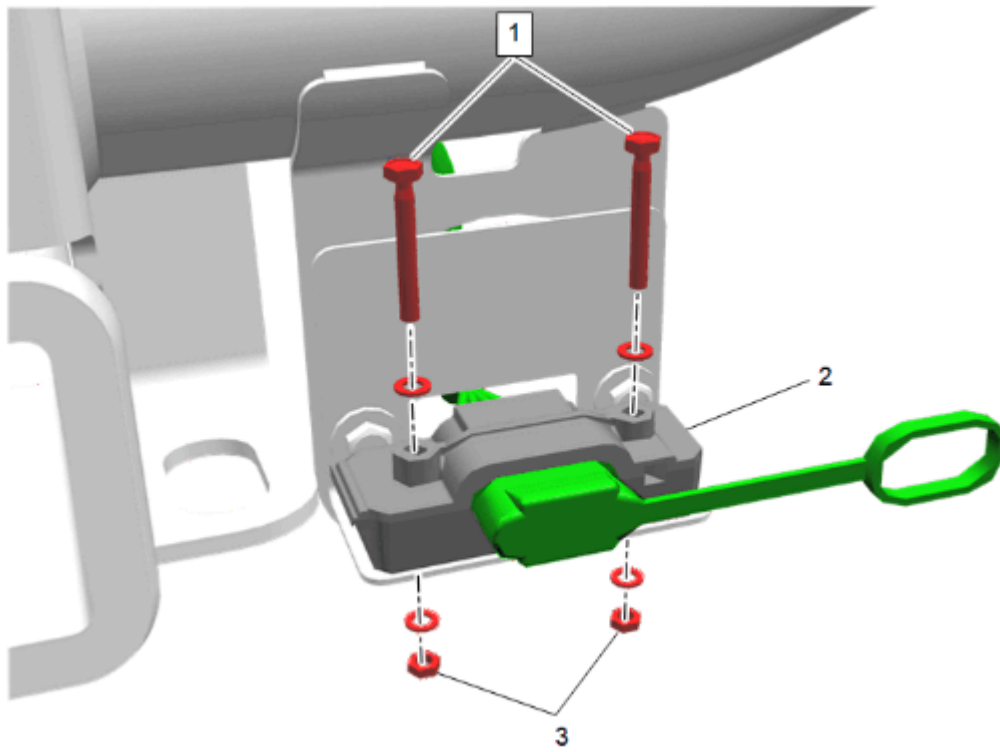
9. **Install trailer wiring harness to platform assembly – trailer hitch by following steps below.**



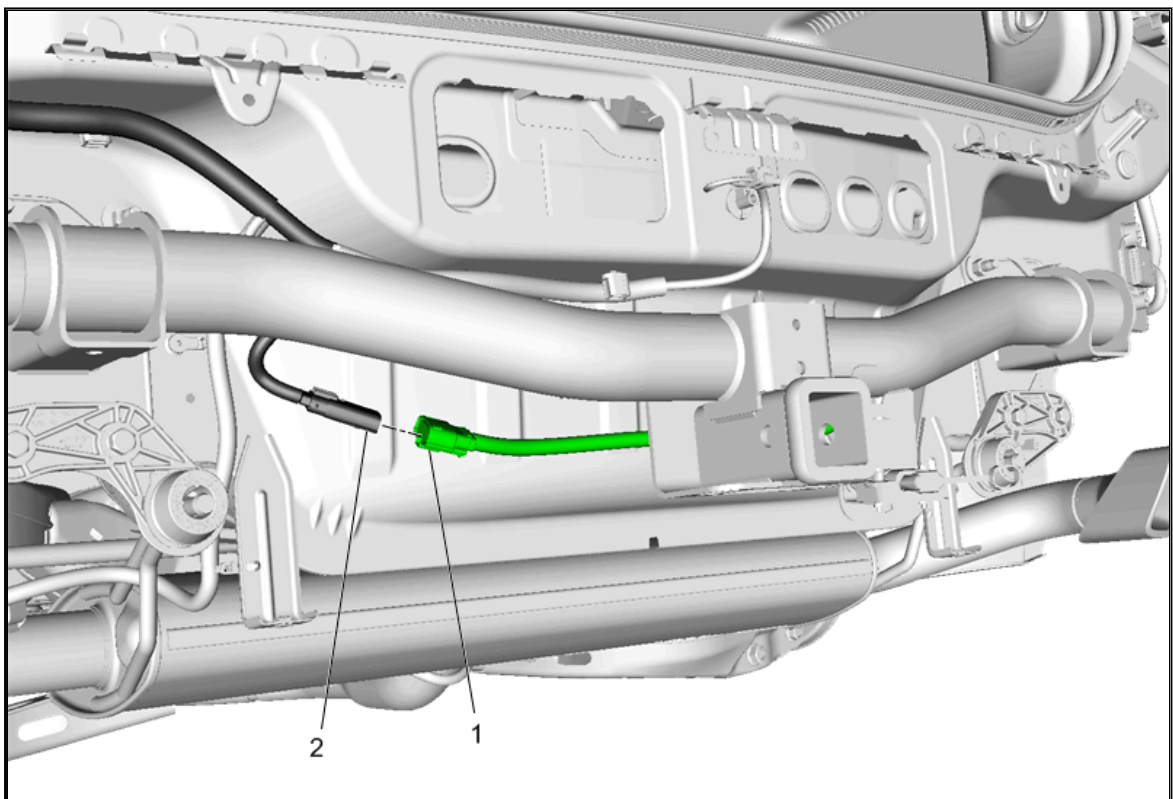
10. Place the "L" bracket (1) against the hitch plate (2) and attach the two M6 torque prevailing nuts (3) with a 10 mm wrenches using **5 N·m (44 lb in)** of torque.



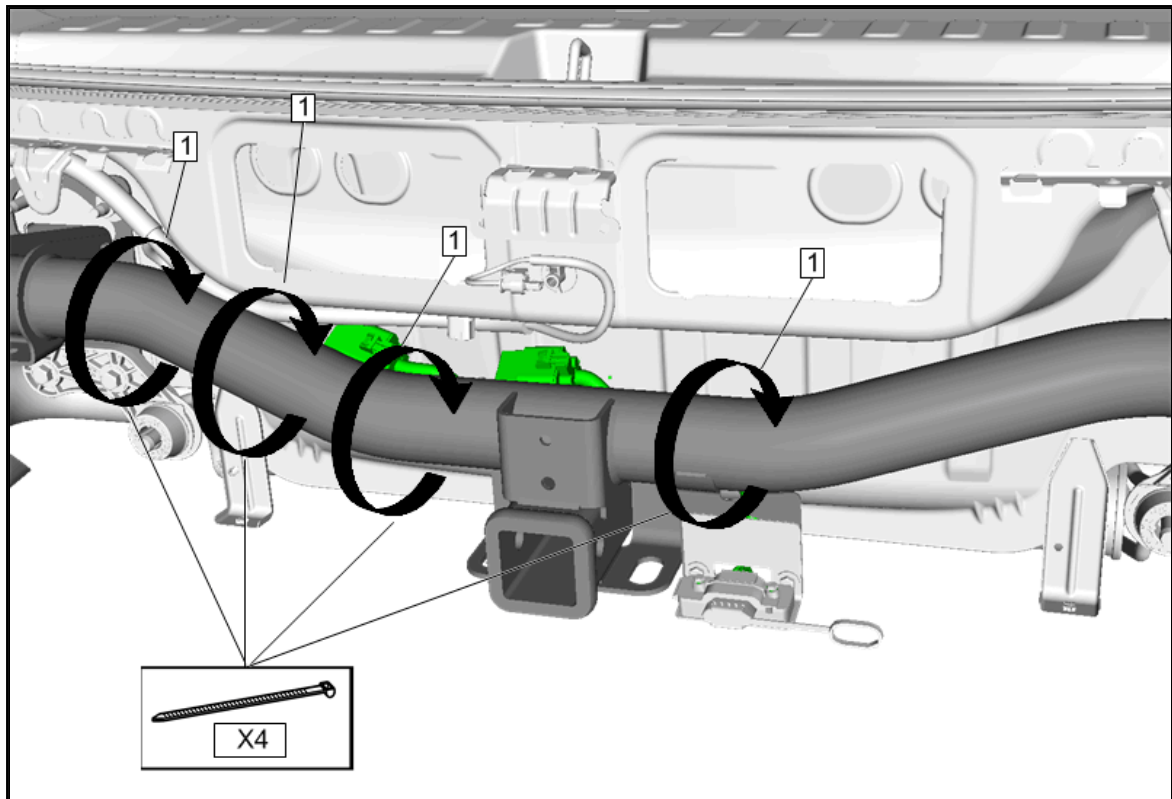
11. Put the connector (1) through "L" bracket opening (3).  
12. Put the clam shell bracket (2) around the connector, carefully positioning the tether.



13. Assemble the M4 fasteners (1) and plastic bracket/connector (2) to the "L" bracket. Install and tighten the two M4 nuts (3) with 7 mm wrenches using **0.7 N·m (6 lb in)** of torque.



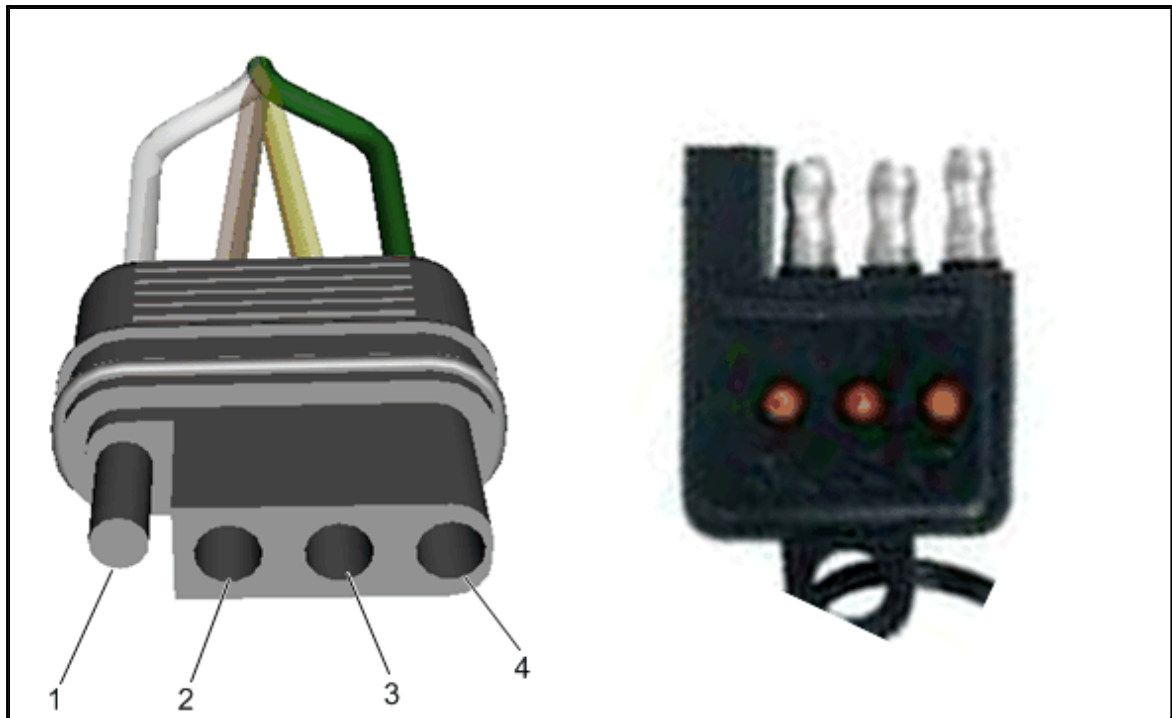
14. Remove body harness cap and connect trailer harness (1) to body harness (2).



15. Use tie straps (1) to attach harness to front face of hitch tube. Ensure there is enough slack on wires going through opening in metal 'L' bracket to prevent rubbing against metal edge. Strap harness/relays so relays don't rattle against body sheet metal.
16. Continue with the re-installation of the rear bumper fascia once the rear bumper fascia trailer hitch access hole cover has been installed. Refer to Instruction ID: 23416955 for Equinox or Instruction ID: 84048218 for Terrain [Rear Bumper Fascia Trailer Hitch Access Hole Cover Package Installation](#) in Accessory Installation Manual.
17. Reprogram the Lighting Control Module (model year 2025 vehicles only). Refer to [K219 Lighting Control Module: Programming and Setup](#) in Vehicle Service Manual.

**Note:** If programming is attempted BEFORE contacting TCSC, SPS will not deliver the correct accessory calibration to the vehicle. The user may also receive a message advising they are attempting to program with the "same calibration" – a warning that the vehicle has not received the required accessory calibration.

**Note:** This change requires an update. For assistance, contact Techline Customer Support Center (TCSC) using the Dealer Case Management (DCM) portal in GlobalConnect. Once the case is created, or if additional support is needed, contact Techline Customer Support Center (TCSC) at 1-800-828-6860 (English) or 1-800-503-3222 (French). U.S. Dealers will require a DCM case number for phone support to have the appropriate calibration applied to the VIN. The vehicle VIN and Authorization Code (included in the accessory packaging) must be provided to TCSC to obtain the accessory calibration.



#### 18. Checkout Procedure

- **Option 1** is to check connector circuit function by using a readily available test connector w/LED's as shown. Actuate vehicle tail lamps, left turn signals, right turn signals.
- **Option 2** is to use test light or volt meter.
  - Ground (WHITE wire) is (1) above.
  - Tail lamps (BROWN wire) is (2) above.
  - Left turn signal (YELLOW wire) is (3) above.
  - Right turn signal (GREEN wire) is (4) above.

#### 19. Confirm function of rear tail lamps.