

Body Emblem Package Installation (Denali Instruction ID 26539706)

Installation Instructions Part Number

26539706

Kit Contents

Qty	Description
1	Emblem (Applique) - "DENALI"
1	Emblem (Lift Gate) - "AWD"
1	Emblem (Lift Gate) - "ACADIA"
2	Emblem (Side Doors) - "DENALI"
1	Installation Instructions

© 2026 General Motors. All rights reserved.

Note: Emblem quantity will vary based on the vehicle configuration purchased.

Tools Required

Masking Tape

Plastic Flat-Bladed Tool

Before you start

Note: For the nameplate to adhere best, the vehicle's mating surface (doors, rear compartment, etc.) should be free of damage (dents, scratches, creases, fractures, etc.).



Caution: Do not use heat gun/hair dryer or apply excessive heat to the emblem/nameplate as this may damage the paint and surrounding panel surfaces during removal.



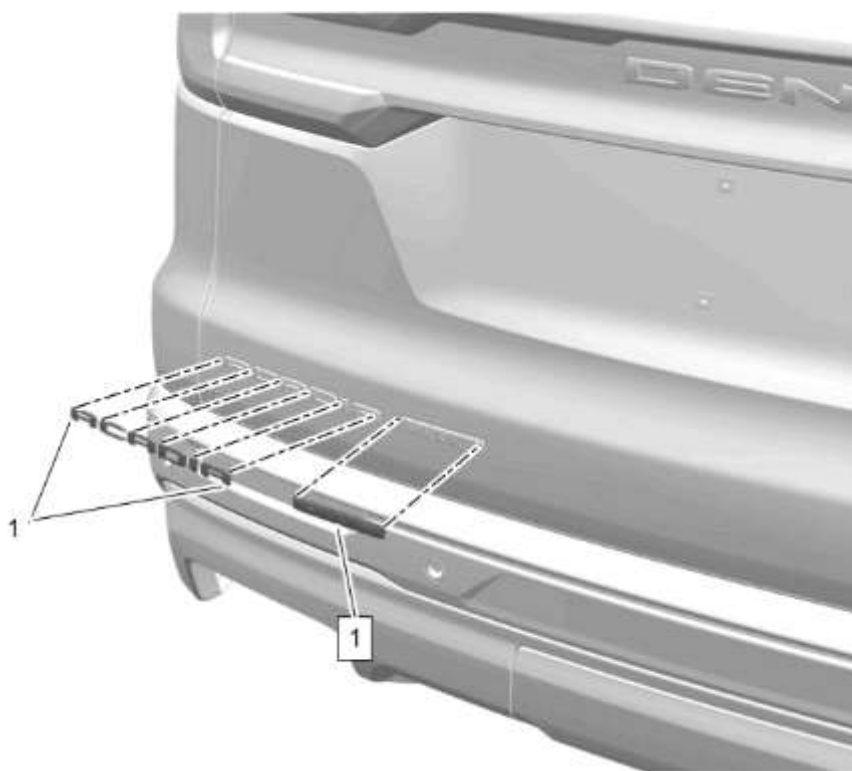
Caution: Use a plastic, flat-bladed tool to prevent paint damage when removing an emblem/nameplate. Do not use fishing line to remove nameplate as this may worsen the tape residue cleaning process. DO NOT use hard Stripe off wheel.

Caution: Only install nameplates as a direct replacement of the existing vehicle content.

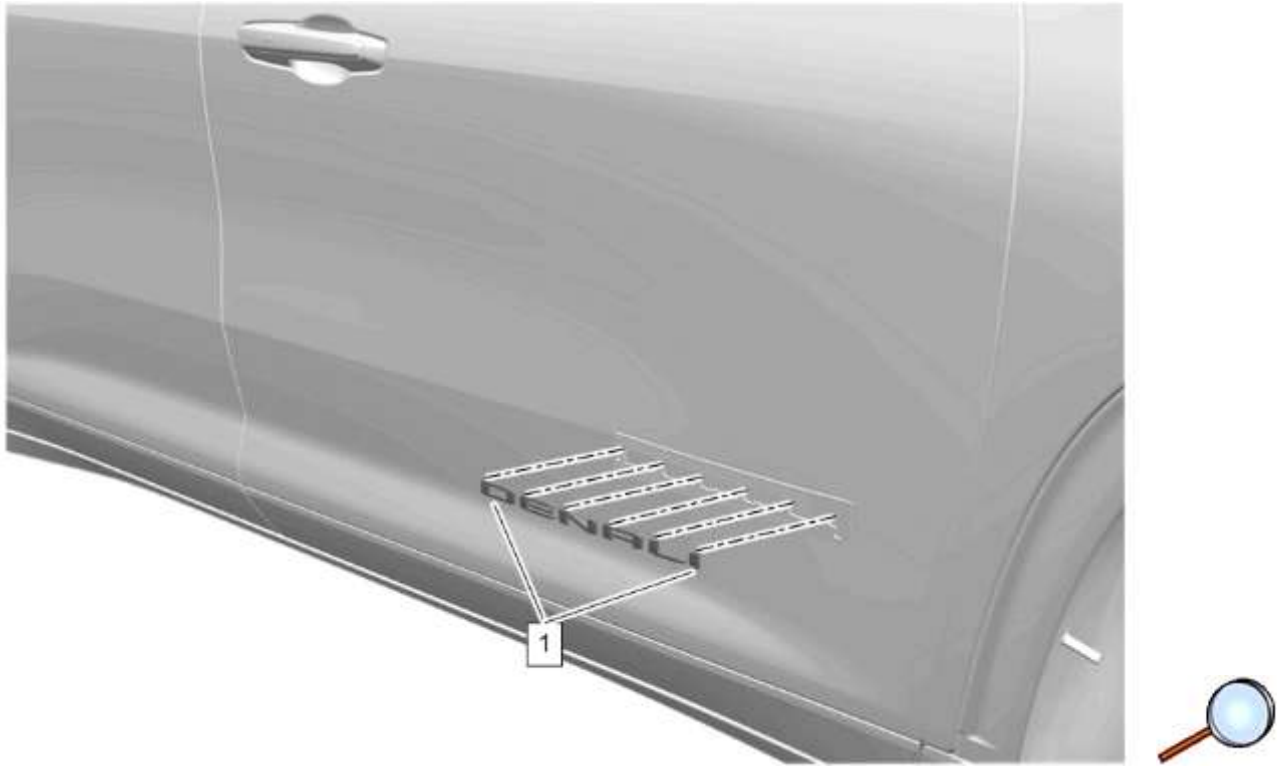
1. The part and surface should be 21°C (70°F) prior to installation. The vehicle should remain 21°C (70°F) for one hour after assembly to allow adhesive to develop sufficient bond strength.
2. Wash the vehicle mating surfaces with a non-petroleum based cleaning product. Then, thoroughly dry with a soft clean cloth.

© 2026 General Motors. All rights reserved.

Lift gate Emblem (ACADIA, AWD)



Side Door Emblem (DENALI)



© 2026 General Motors. All rights reserved.

Procedure

1. Turn off vehicle.
2. If there is an existing emblem on the applique:
 - 2.1. Mark the position of each letter with masking tape prior to removal.

Caution: DO NOT use any chemical solvents/alcohol to remove adhesive on Liftgate Applique.

Caution: DO NOT use heat gun to remove emblems from any plastic part (applique) or around any plastic part. Applying heat to emblem may damage the finish of the surrounding plastic part (applique) resulting in replacing the plastic parts (applique).

Caution: Use a plastic, flat-bladed tool to prevent paint damage when removing an emblem/name plate.
 - 2.2. Carefully use a plastic flat-bladed tool to remove the rear emblems (1) from the surface. Once the emblems are removed use the flat-bladed tool and fingers to pull the remaining adhesive from the surface.
 - 2.3. After all adhesive is removed, clean any remaining residue with mild soap and clean drinkable water. Wipe surface dry with a clean lint-free towel.
3. Installing the Name Plate.:
 - 3.1. The part surface should be 21°C (70°F) prior to installation. The vehicle should remain 21°C (70°F) for one hour after assembly to allow adhesive to develop sufficient bond strength.
 - 3.2. When removing protective liners from the adhesive tape, be careful not to touch tape with hands and do not allow tape to come in contact with dirt or any foreign matter prior to adhesion.
 - 3.3. Position new black emblems (1) carefully within reference marks and place on prepared surface of applique.
 - 3.4. Using the palm of the hand, apply strong pressure to all areas of the emblem to ensure full adhesion is achieved.
 - 3.5. Carefully remove any markings or tape used to locate the rear emblem. Clean the liftgate surface as needed.

Liftgate Denali Emblem Replacement

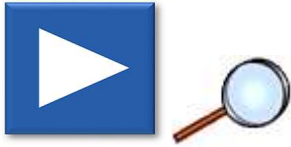
Caution: Do NOT use a heat gun to remove emblems/nameplates. Use a plastic, flat-bladed tool to prevent paint damage when removing an emblem/nameplate.

Note: Use caution during the steps to avoid marring or scratching the class "A" paint finish.

1. Turn off vehicle.
2. Temperature ranges required for removal of a emblem/nameplate are **16°C (60°F) – 43°C (110°F)** for the body, and the emblem/nameplate.

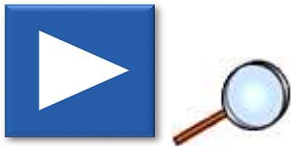
Note: Do NOT tilt the edge of the emblem/nameplate into the painted surface.

Click Image For Video



3. Horizontally from each side, slide a nylon fishing line behind the emblem/nameplate and carefully cut the adhesive until the emblem/nameplate is slightly elevated. Repeat on the opposite side until the emblem/nameplate is fully removed.
4. Light adhesive residue remaining on the paint surface can be removed using your fingers and finding the edge of the tape residue and pulling and stretching the tape or rubbing the remaining tape residue.

Click Image For Video



5. Adhesive residue remaining on the paint surface can be removed using a 50/50 mixture of soap and water. Spray the surface and wipe clean using a microfiber towel. Repeat the step as necessary to remove all the adhesive.
6. General surface contaminants, such as dirt, dust, fingerprints, moisture, oil, etc., can be removed with a dry cleaning cloth from 3M (Scotch Brite High Performance Cloth), or Contec (Thunderbolt Cloth).



7. The paint surface must be clean and dry before installation of a new emblem/nameplate (1).

8. When removing protective liners from the adhesive tape, be careful not to touch tape with hands and do not allow tape to come in contact with dirt or any foreign matter prior to adhesion.
9. Using the palm of the hand or an applicable roller with approximately 10 lbs of pressure, wet out the emblem/nameplate (1) to the liftgate to ensure full adhesion of the emblem/nameplate is made.