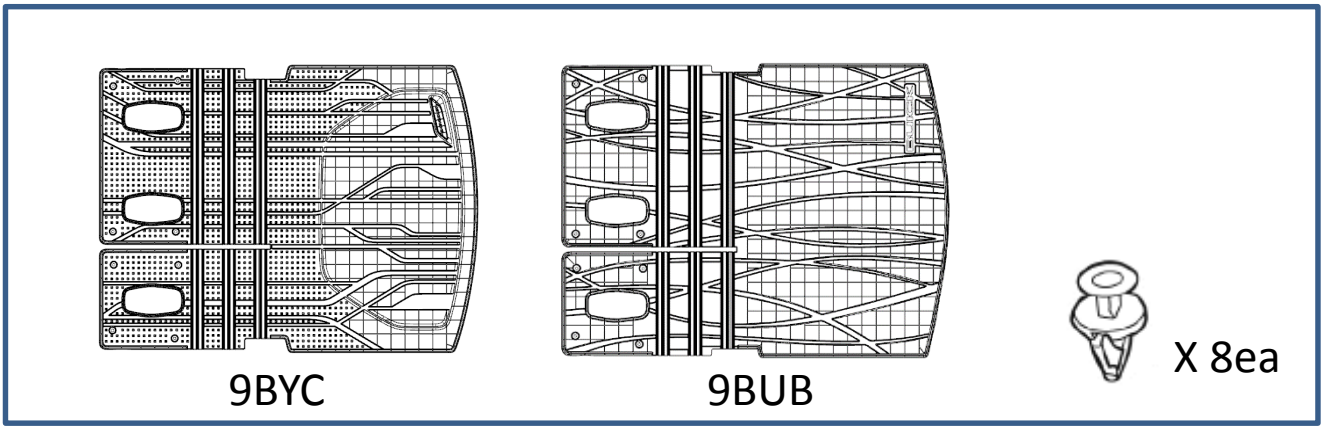
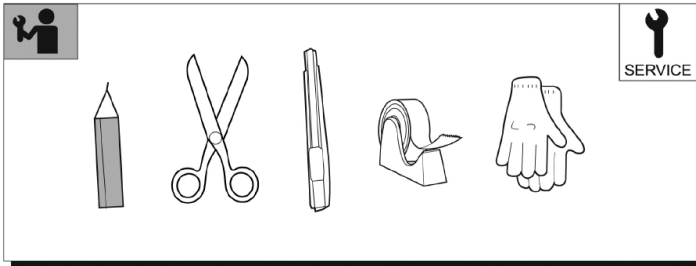


Kit Components

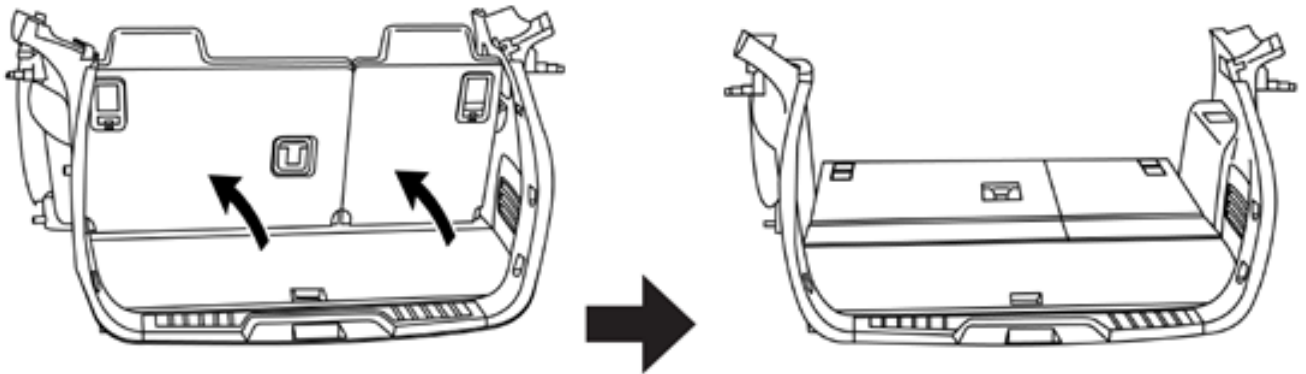


Tools Required

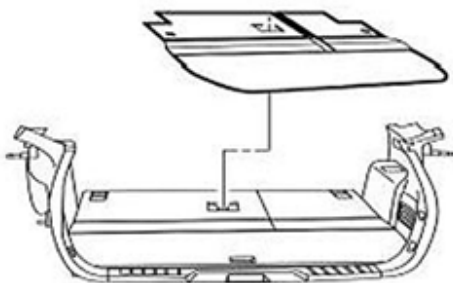


Rear Cargo Tray Installation

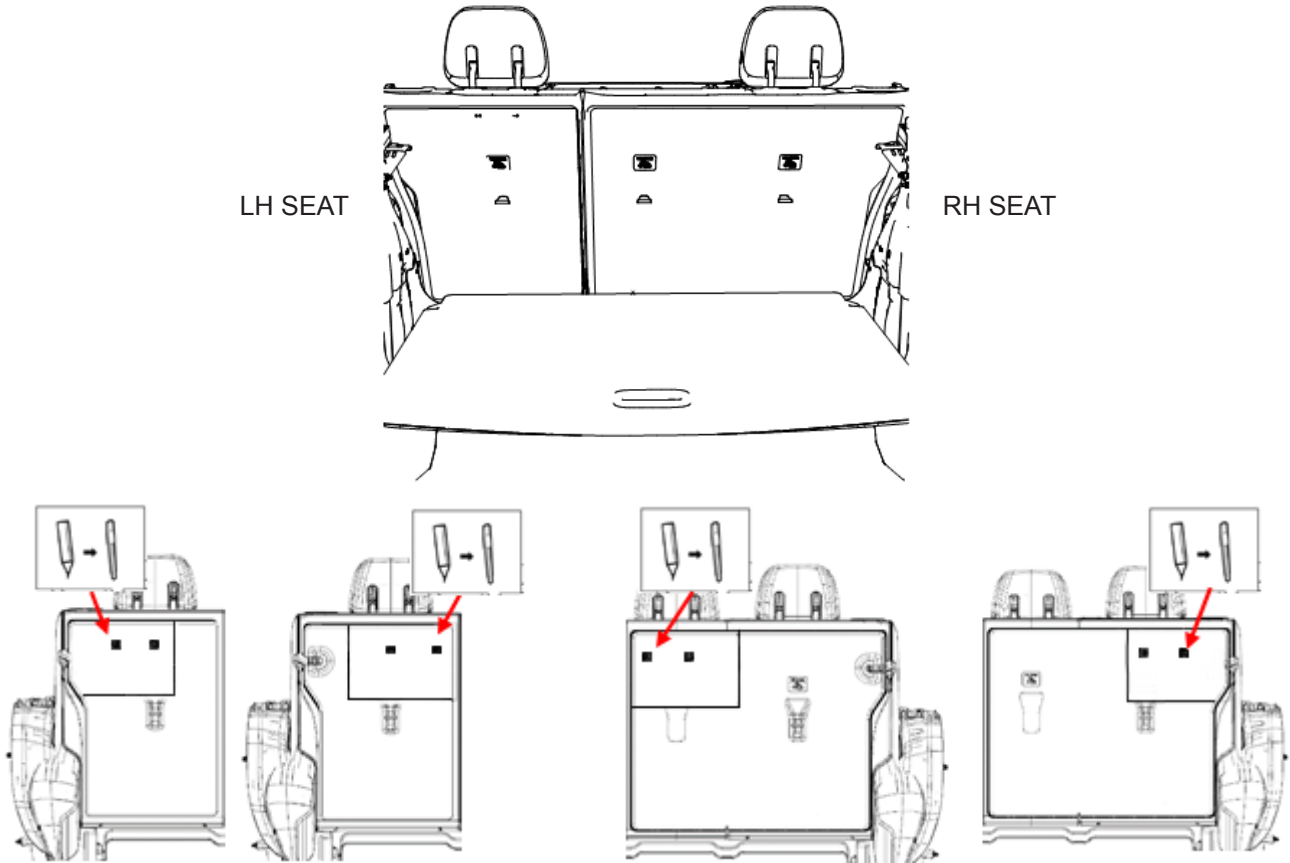
1. For ease of installation, fold rear seats down flat.



2. Position rear cargo tray into the vehicle. Use the seat features, tray openings, and the periphery of the rear cargo tray to help align part.

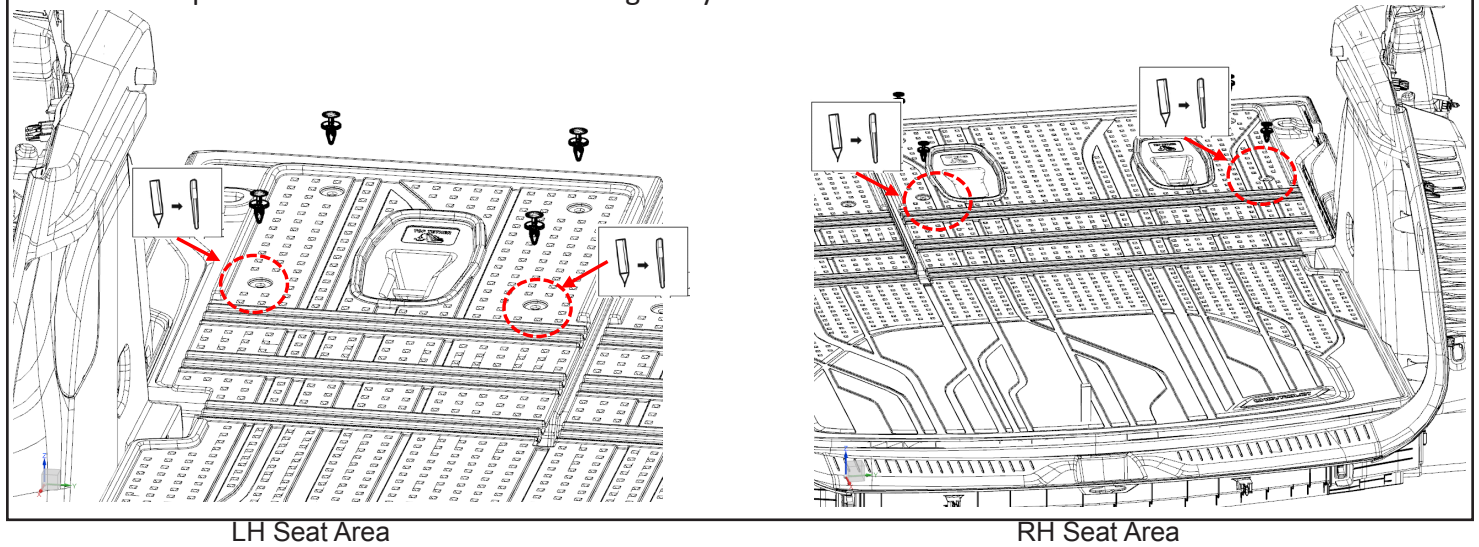


3. Using the included template, mark and cut 4 holes in the locations indicated by the arrows, as shown.



4. Mark and cut 4 lower holes in alignment to the 4 upper hole positions as shown.

5. Install the plastic fasteners to secure the cargo trays to the seat backs and load floor.





RH Seat Template

Print A4 (297X210)



LH Seat Template

Print A4 (297X210)

