

# Endgate Emblem Package Installation

## [Installation Instructions Part Number](#)

42617442

### Kit Contents

Qty	Description
1	Emblem Assembly Black Bow Tie – Front Grille
1	Emblem Assembly Black Bow tie – Liftgate
1	Installation Instructions

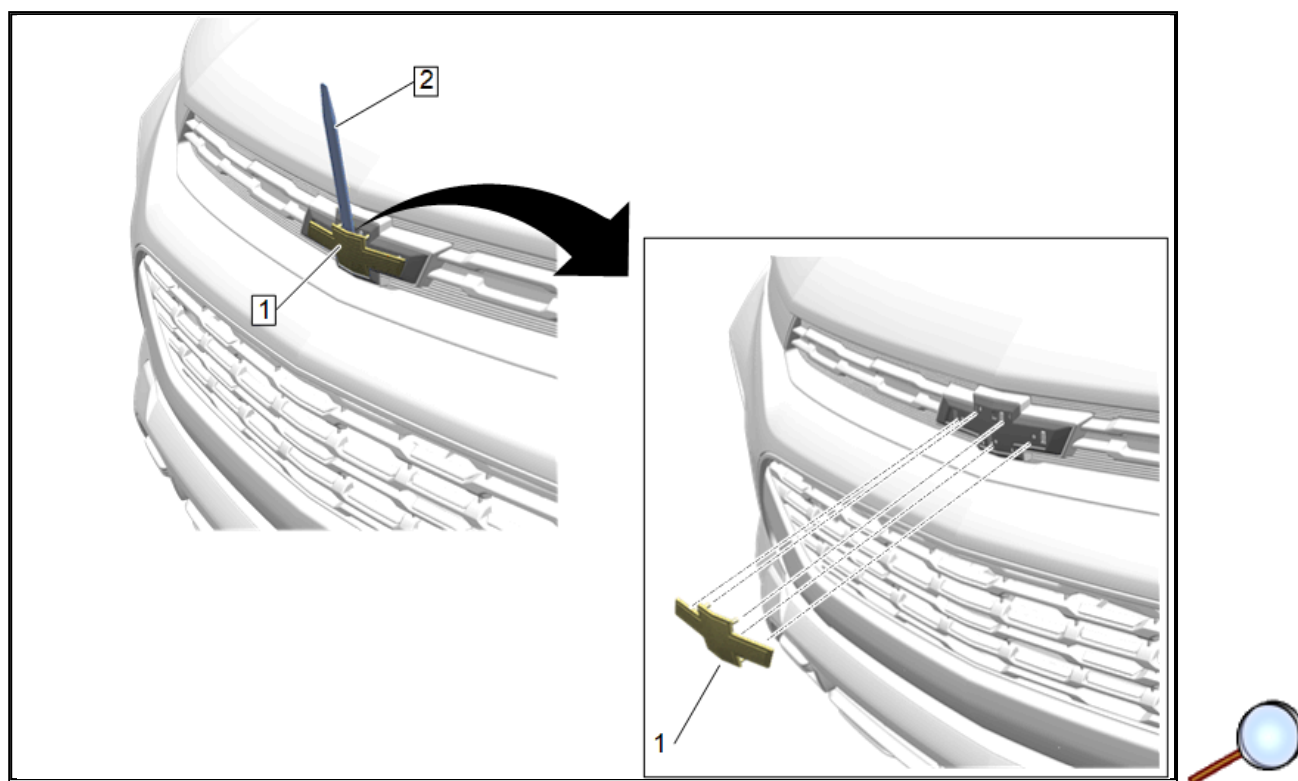
### Tools Required

Plastic Flat-Bladed Tool

### [Procedure](#)

#### Front Bow Tie Emblem Replacement

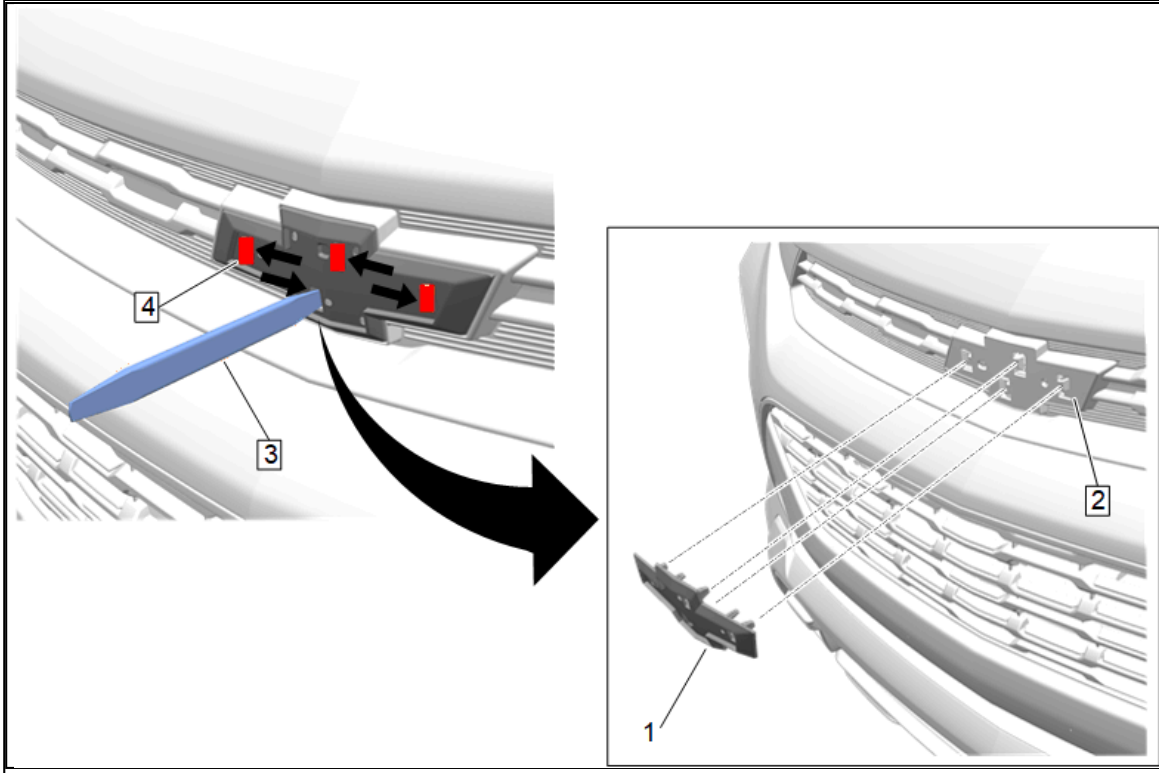
1. Read all instructions before performing procedure.
2. Inspect kit to verify all parts are included.
3. Turn off the vehicle.



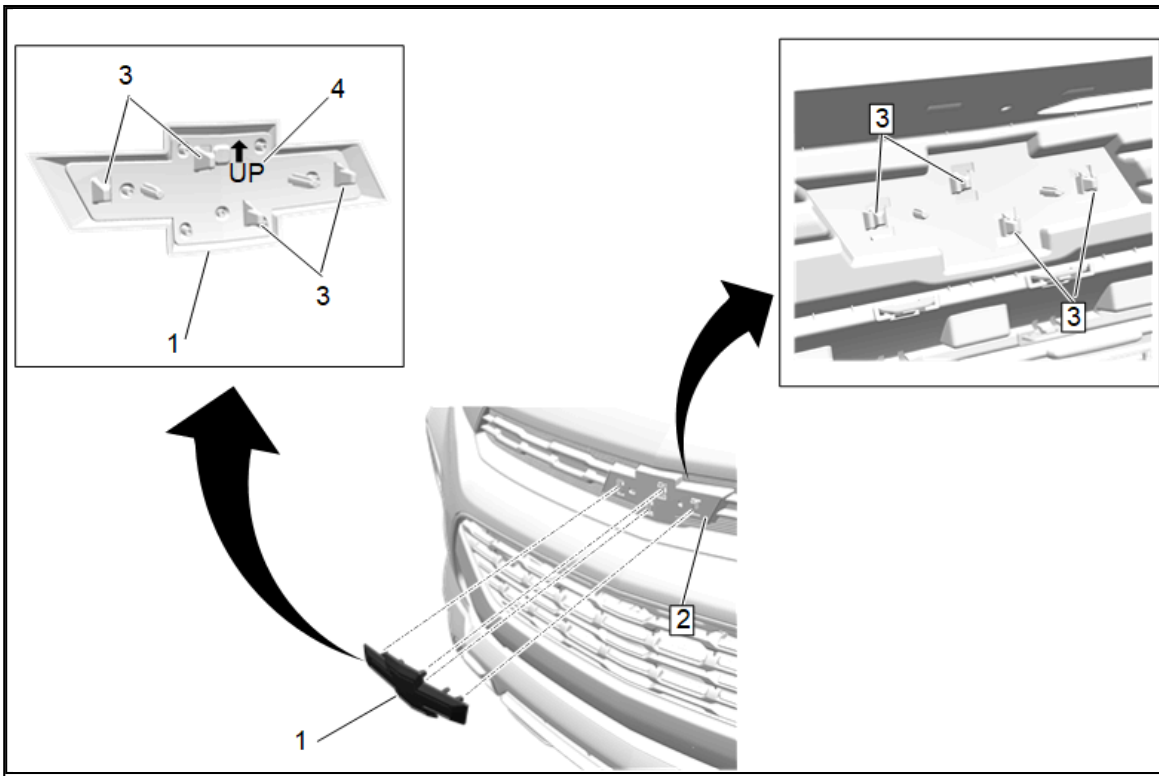
**Note:** Exterior temperature of vehicle should be between 21°C – 43°C (70°F – 110°F) prior to removing grille bowtie emblem and insert. Any temperatures below the recommended could result in broken retaining tabs on grille.

**Note:** Bowtie emblem insert will be damaged and not suitable for re-use.

4. Using a suitable plastic flat-bladed tool (2), carefully remove the bowtie emblem insert (1) from bowtie emblem housing.



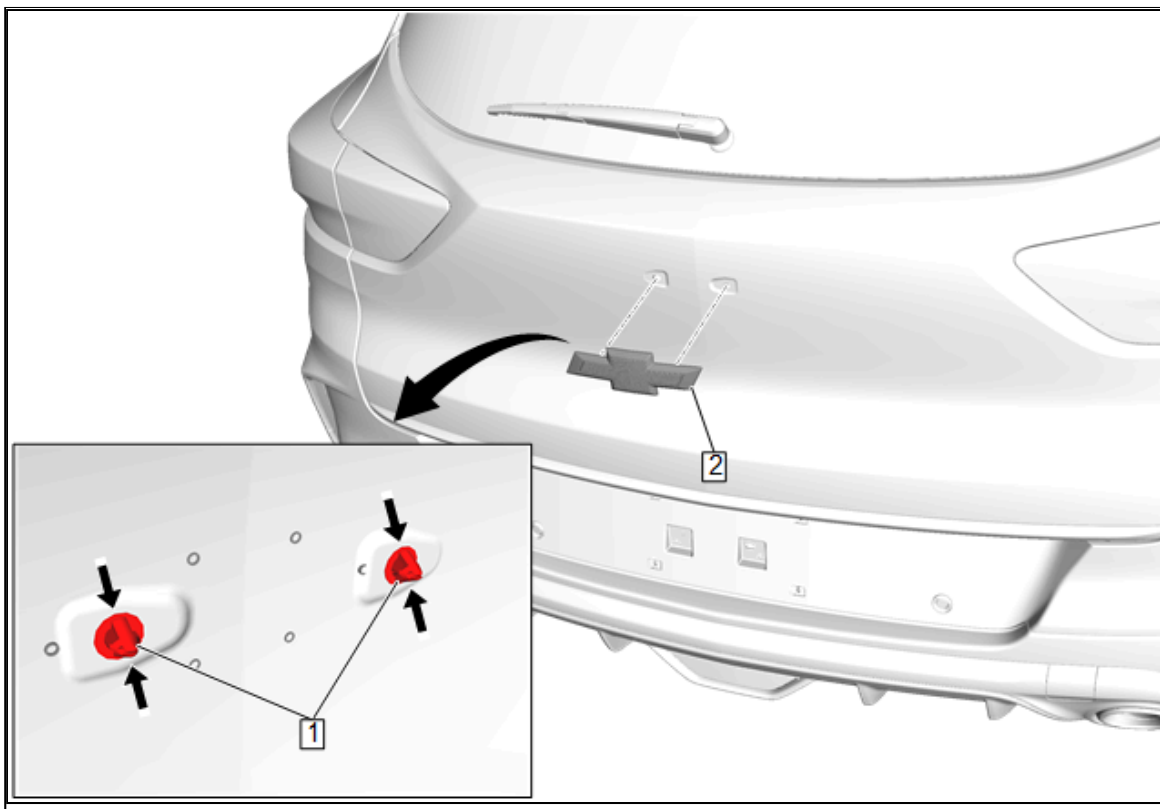
- Using a suitable plastic flat bladed tool (3), carefully release the retention clips in each slot (4) according to direction of arrow and remove bowtie emblem housing (1) from grille (2). Be careful to avoid damage to the retaining tabs in the grille (2), as this may result in loose fit of the new bowtie emblem.



- Accurately position the new bowtie emblem (1) to the front grille (2) using the molded "UP" symbol (4) and locating pins.
- Install the new bowtie emblem (1), applying enough evenly distributed pressure to engage the retention tabs (3).
- Verify that the bowtie emblem is fully seated and securely attached to the grille.

### Rear Bow Tie Emblem Replacement

- Remove the liftgate lower trim finish panel. Refer to [Liftgate Lower Trim Finish Panel Replacement](#) in Vehicle Service Manual.



**Caution:** Use a plastic, flat-bladed tool to prevent paint damage when removing an emblem/name plate.

2. Disengage the retainers (1) and remove the rear bow tie emblem (2) from liftgate.
3. The part surface should be 21°C (70°F) prior to installation. The vehicle should remain 21°C (70°F) for one hour after assembly to allow adhesive to develop sufficient bond strength.
4. Clean any remaining residue with included solvent wipe or with a 50/50 mixture by volume of isopropyl alcohol and clean drinkable water. Wipe surface dry with a clean lint free towel.
5. When removing protective liners from the adhesive tape, be careful not to touch tape with hands and do not allow tape to come in contact with dirt or any foreign matter prior to adhesion.
6. Position new black bow tie emblem (2) engaging the retainers (1).
7. Using the palm of the hand, wet out the emblem to ensure full adhesion is achieved.
8. Reinstall the liftgate lower trim finish panel. Refer to [Liftgate Lower Trim Finish Panel Replacement](#) in Vehicle Service Manual.