

# Trailer Hitch Package Installation (Instruction ID: 42728302)

**Table 1:** [Kit Contents](#)

**Table 2:** [Trailer Hitch Bezel Application](#)

## Installation Instructions Part Number

42728302

### Kit Contents

Qty	Description
1	Trailer Hitch Platform
1	Installation Instructions

**Note:** Trailer Harness is not part of kit and must be purchased separately.

**Note:** Trailer Hitch Bezel is not part of kit and must be purchased separately. Refer to Trailer Hitch Bezel Table below for correct kit application.

### Trailer Hitch Bezel Application

Vehicle	Trail Hitch Bezel Kit Part Number
Encore GX Base	42766479
Encore GX ST	42708798
Trailblazer LS/LT	42848886
Trailblazer Activ	42848888
Trailblazer RS	42848890

## Tools Required

- Torque wrench
- M4, M4.2, M10, M12, M19 sockets
- 4.2 torx bit
- Blade screwdriver
- 11/64" (4mm), 13/64" (5mm) drill bit
- Trim release tool
- Appropriate cutting tool
- Power drill
- Rivet Gun
- Corrosion Inhibitor- GM Super Lube 12346241 or equivalent
- Corrosion Inhibitor- GM Super Lube 12371287 or equivalent (Trailblazer ACTIV only)

## Installation Sequence

**Note:** Please review the entire procedure before trying to perform it.

## **Preliminary Procedure**

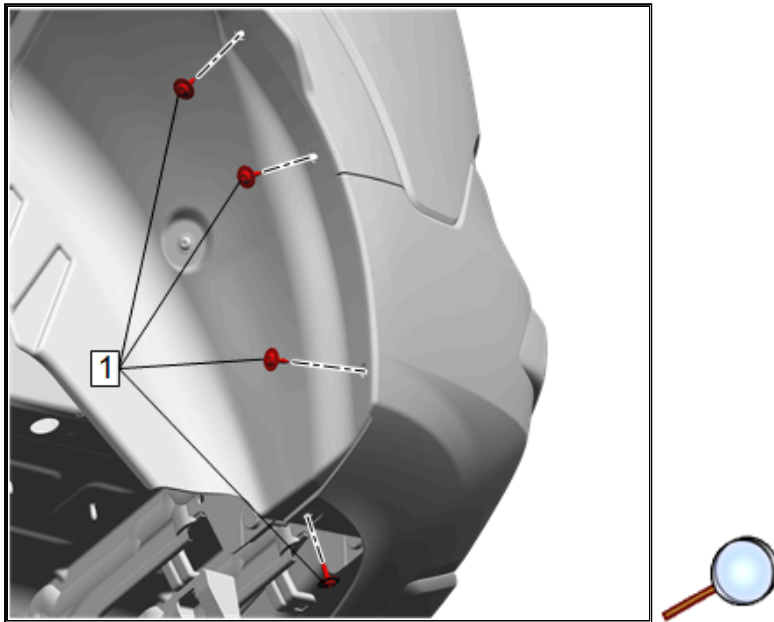
### **Warning:**

- Wear Safety glasses in order to avoid eye damage.
- In order to avoid being burned, do not service the vehicle while the exhaust system is still hot. Service the vehicle when the exhaust system is cool.

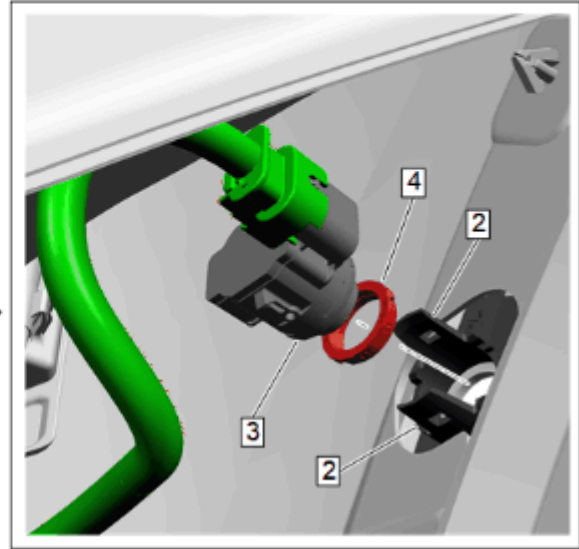
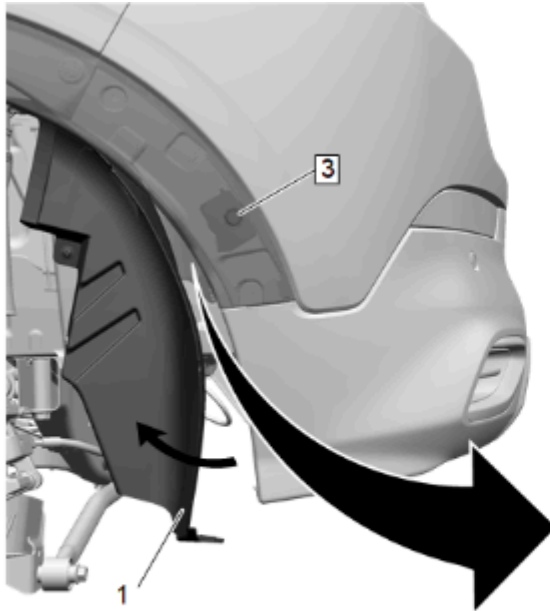
Raise and support the vehicle. [Lifting and Jacking the Vehicle](#)

Remove the rear tire and wheel assembly. [Tire and Wheel Removal and Installation](#)

## **Trailer Hitch Installation Procedure – Encore (Base and ST)**



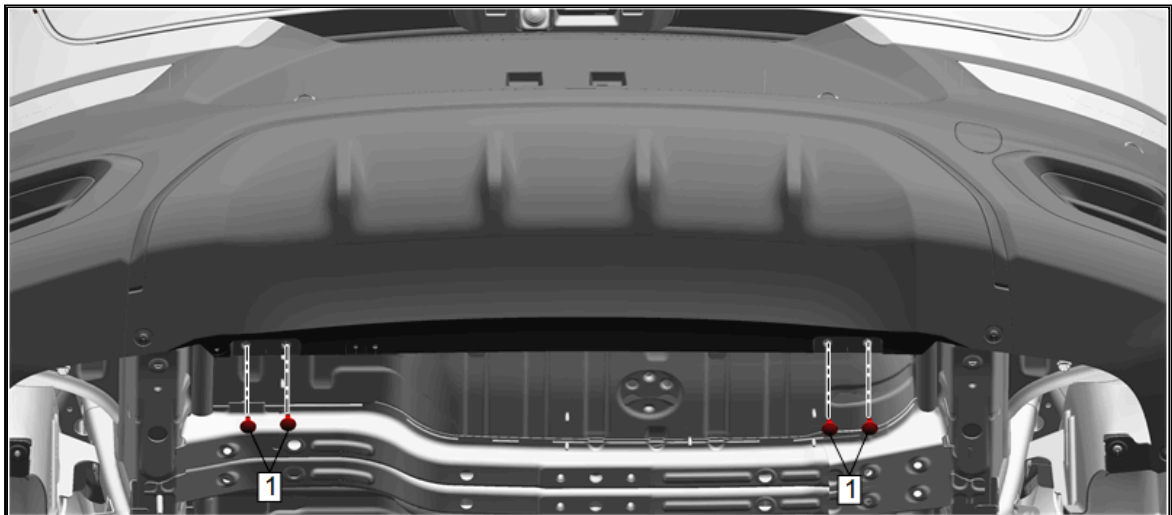
1. Remove the four screws (1) from the rear wheel house liner. Repeat for other side.



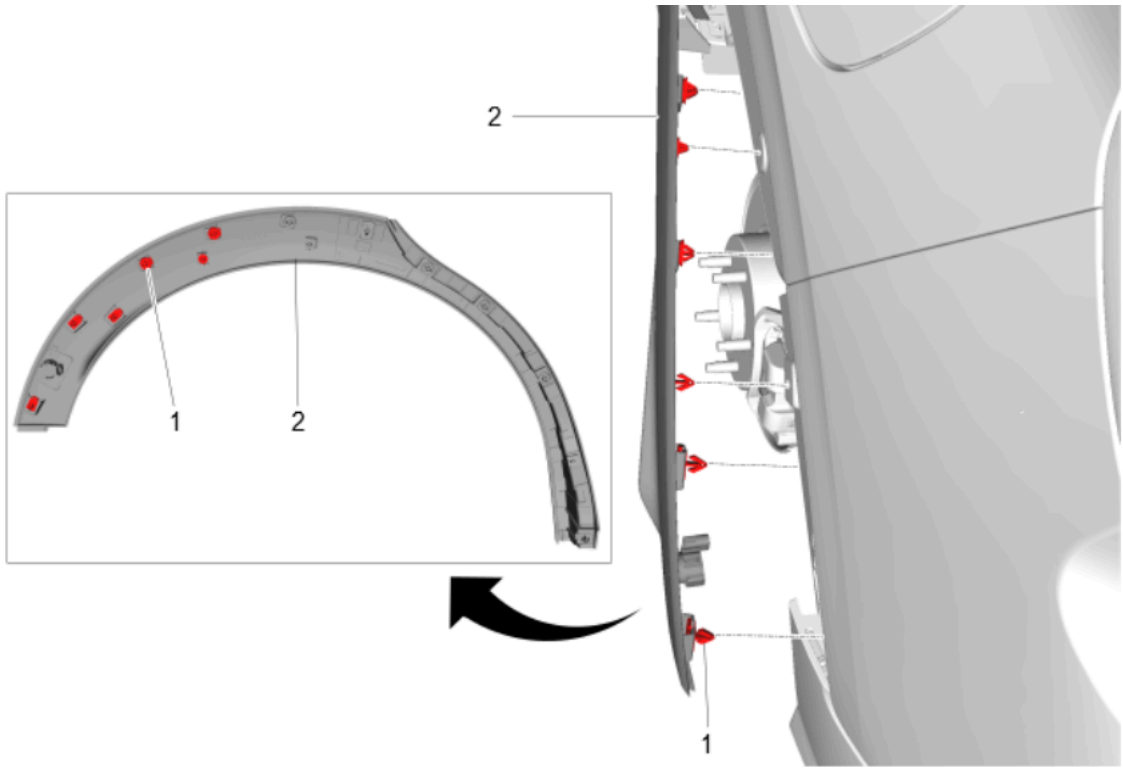
**Caution:** Be extremely careful not to break sensor fixation retention clips (2) when removing sensor. If the fixation retention clips break, the wheel opening molding will require replacement.

2. If equipped pull back wheel liner (1) and remove the APA sensor (3) from the backside of the wheel opening molding by carefully disengaging the sensor fixation retention clips (2).

**Note:** Upon reassembly, make sure sensor ring (4) fits flush between the hole and sensor and that sensor is installed to retention clips, otherwise park assist may malfunction.

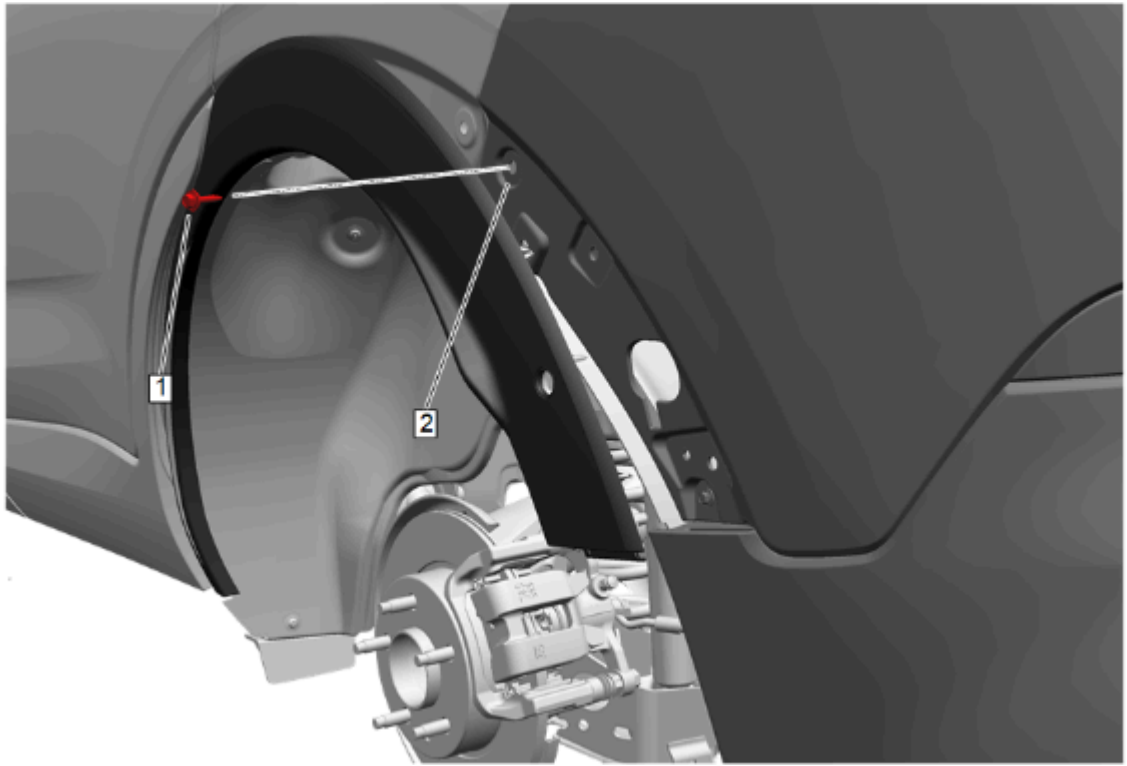


3. Remove the four push pins (1).



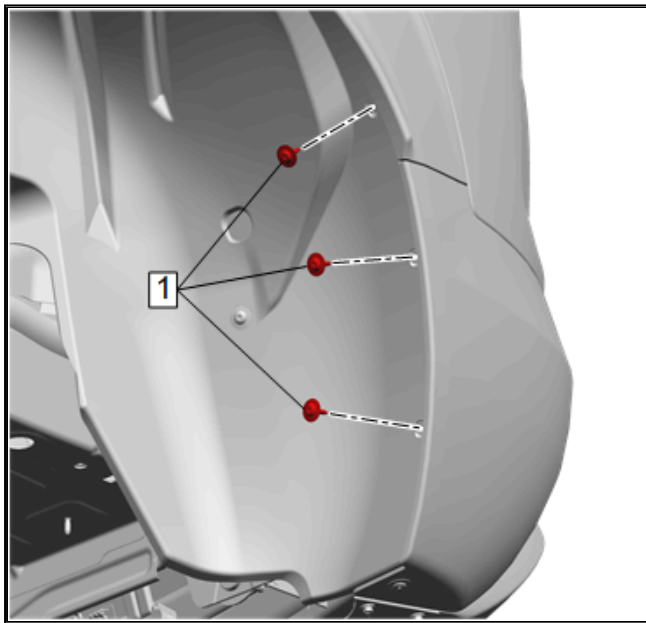
**Note:** Complete removal of rear wheel molding is not required. Only remove clips as noted to access bumper fascia fastener.

4. Apply two layers of masking tape around the top edge of the wheel opening molding to prevent paint damage.
5. Use a suitable flat-bladed plastic trim tool to release the six rear clips (1) from the rear wheel opening molding (2).
6. Remove any remaining adhesive residue with a 50/50 mixture by volume of isopropyl alcohol and clean drinkable water. Wipe the surface dry with a clean lint-free towel.
7. Repeat steps 4, 5 and 6 for other side.

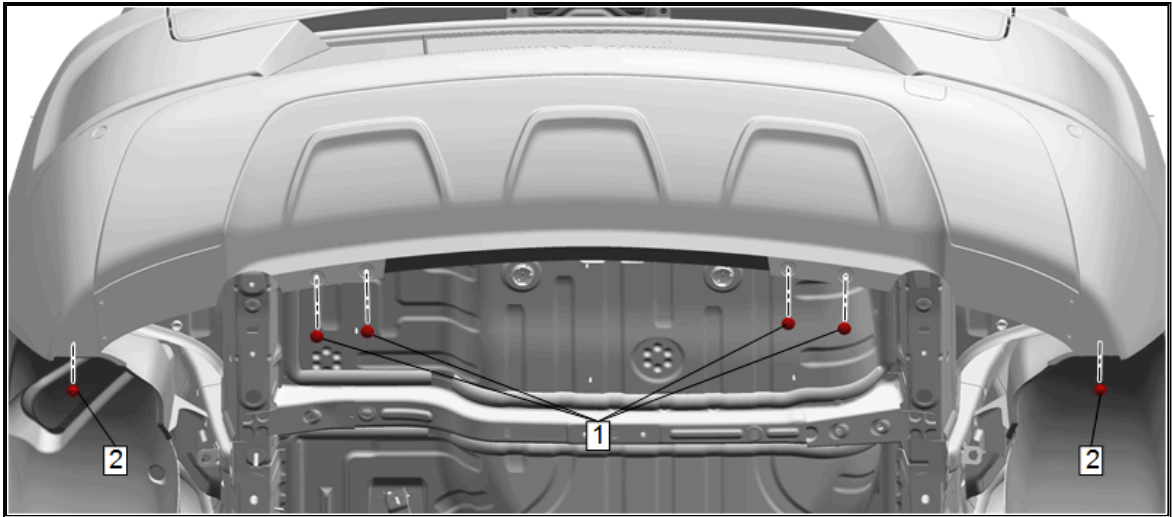


8. Remove the screw (1) from the rear fascia (2). Repeat for other side.

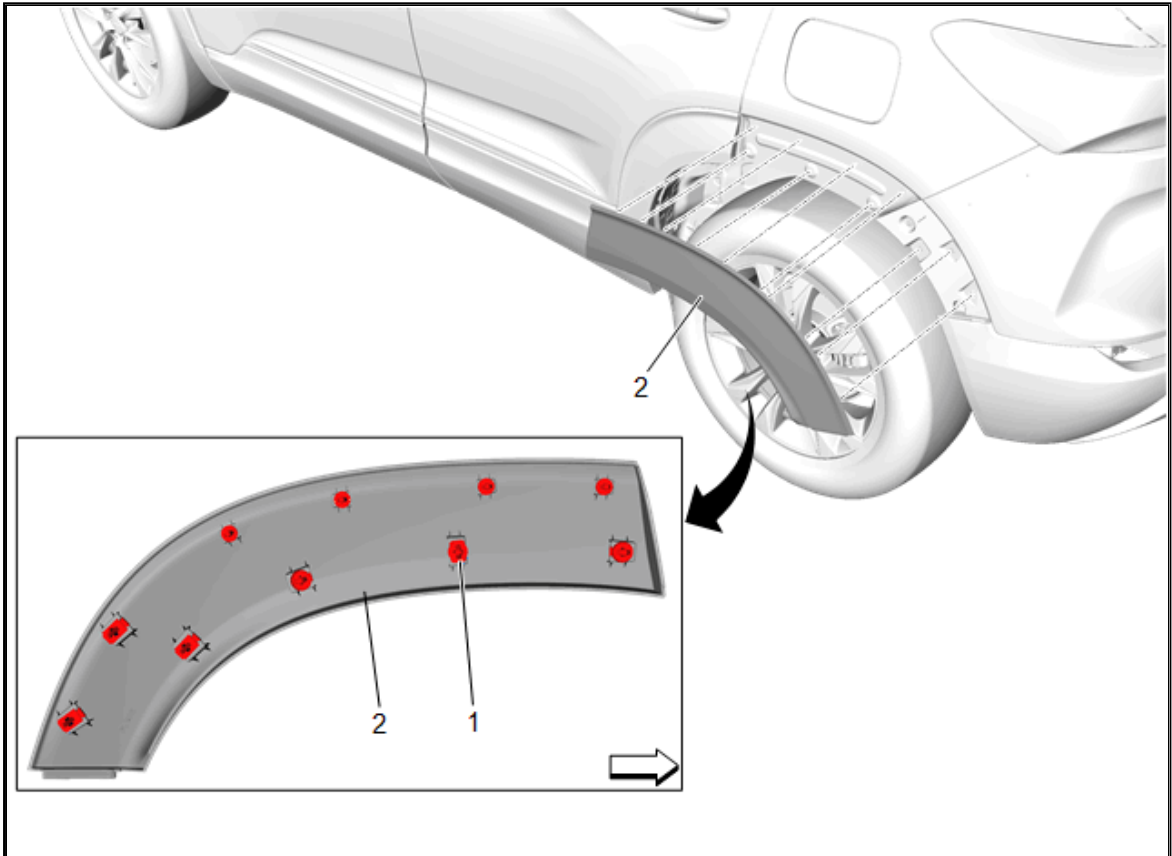
### [Trailer Hitch Installation Procedure – Trailblazer](#)



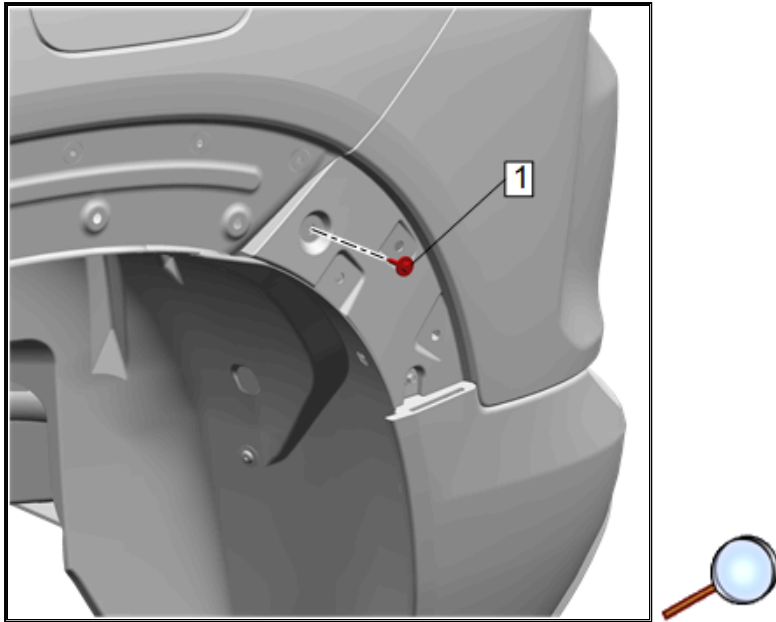
1. Remove the three screws (1) from the rear wheel house liner. Repeat for other side.



2. Remove the four push pins (1) and two screws (2) from fascia.

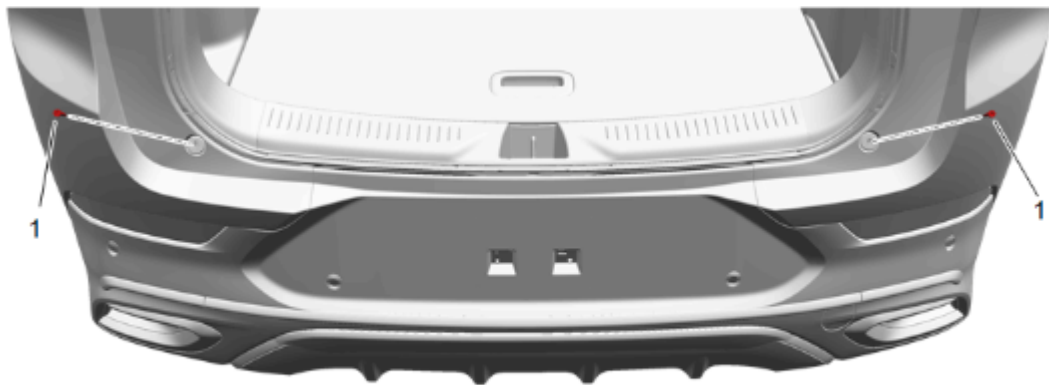


3. Apply two layers of masking tape around the top edge of the wheel opening molding to prevent paint damage.
4. Use a suitable flat-bladed plastic trim tool to release the rear wheel opening molding retainers (1) and remove rear wheel opening molding (2)..
5. Remove any remaining adhesive residue with a 50/50 mixture by volume of isopropyl alcohol and clean drinkable water. Wipe the surface dry with a clean lint-free towel.
6. Repeat steps 3, 4 and 5 for other side.

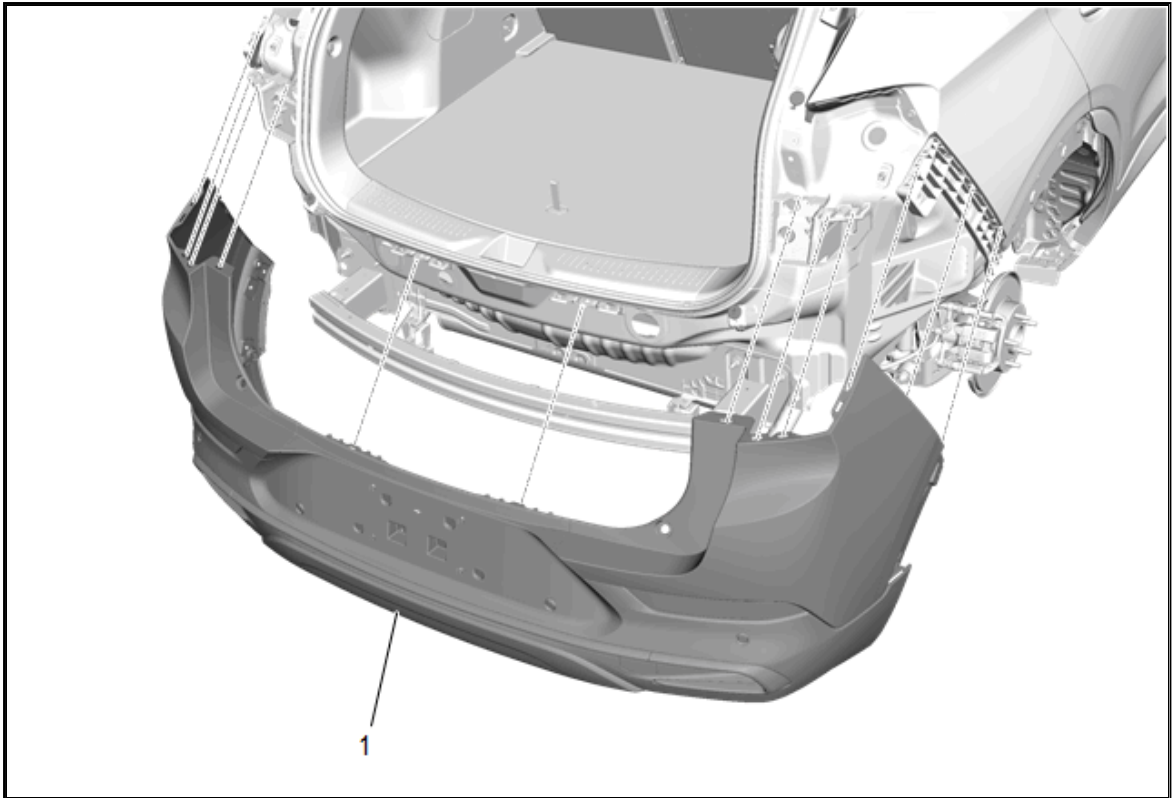


7. Remove the screw (1). Repeat for other side.

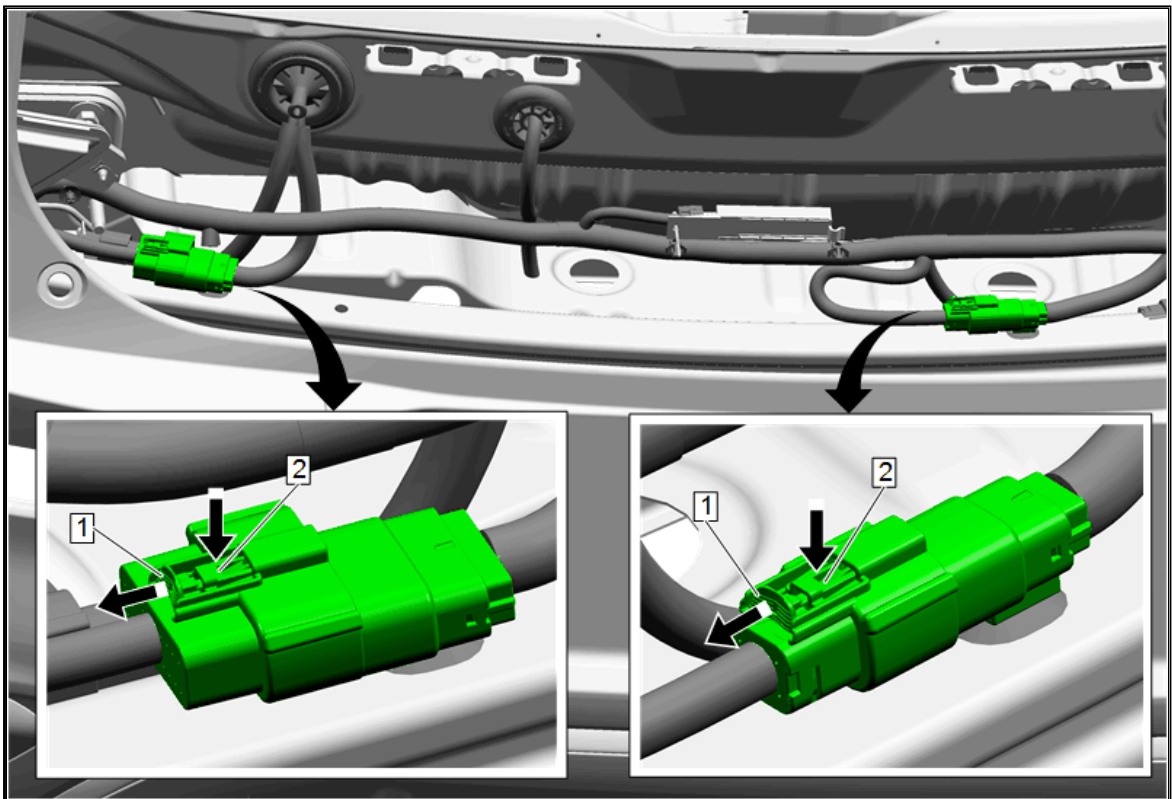
**Trailer Hitch Installation Procedure Continued – Encore and Trailblazer**



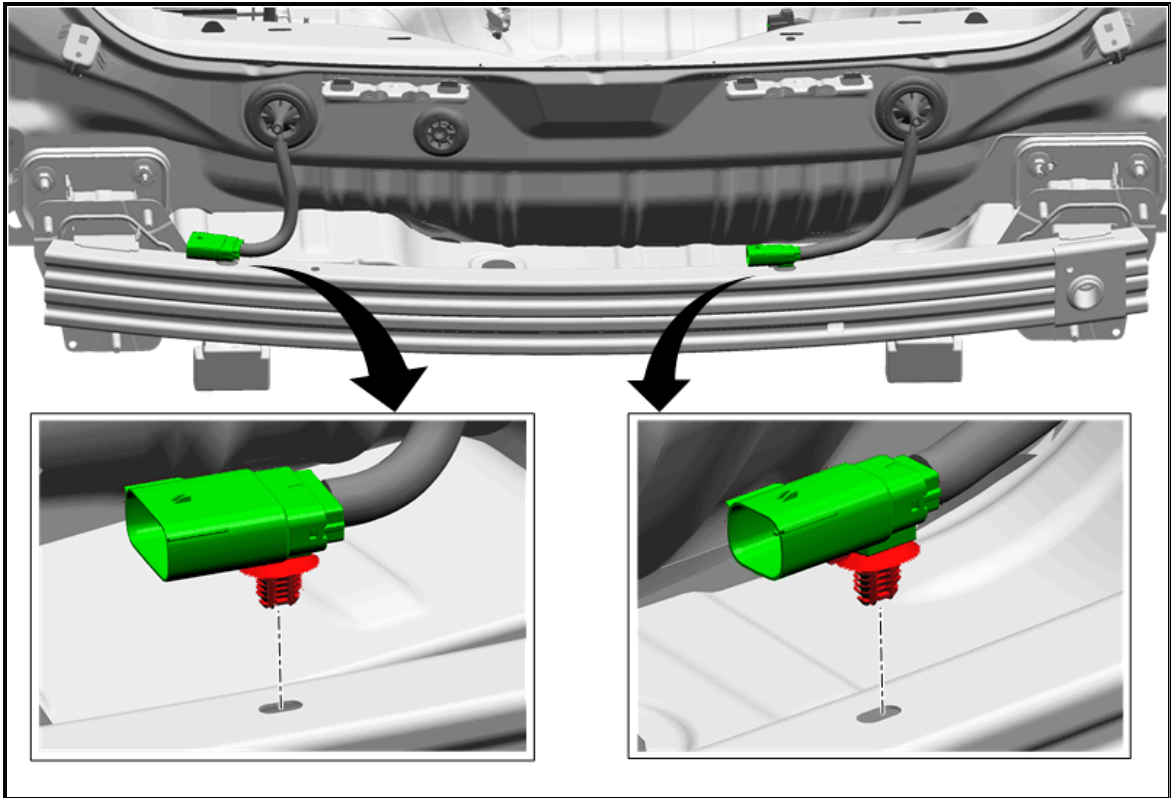
1. Remove fascia fasteners (1) on both sides.



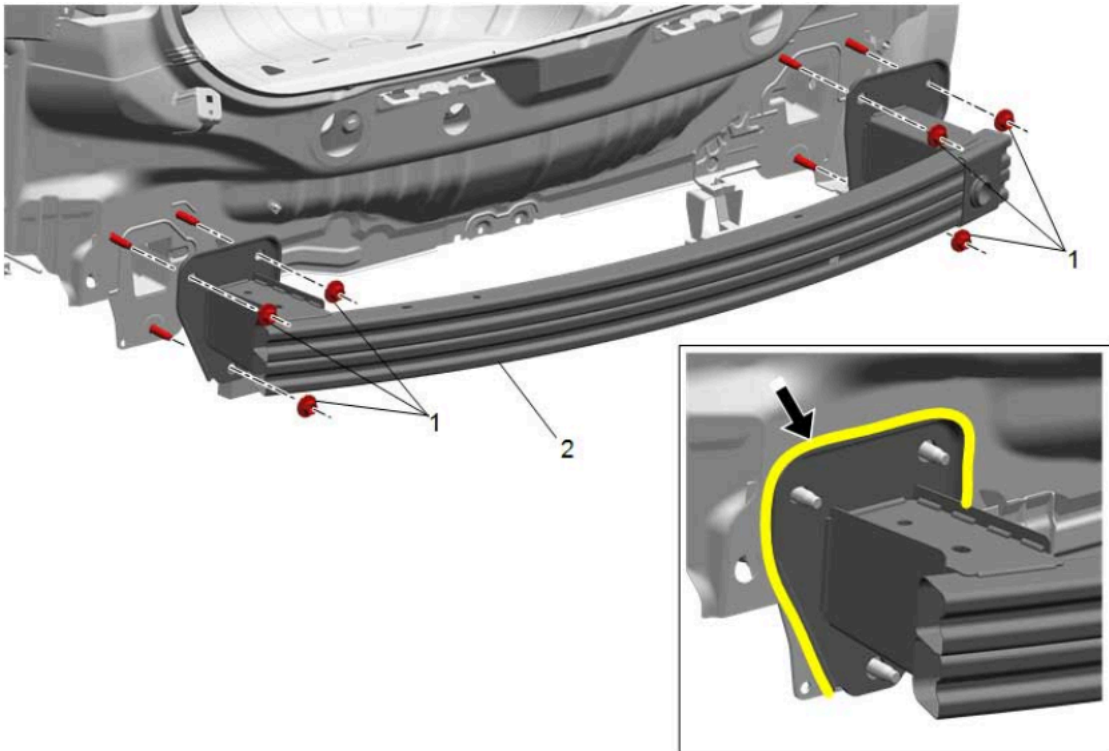
2. With the aid of an assistant pull out the sides of the fascia (1) to release it from the vehicle body.



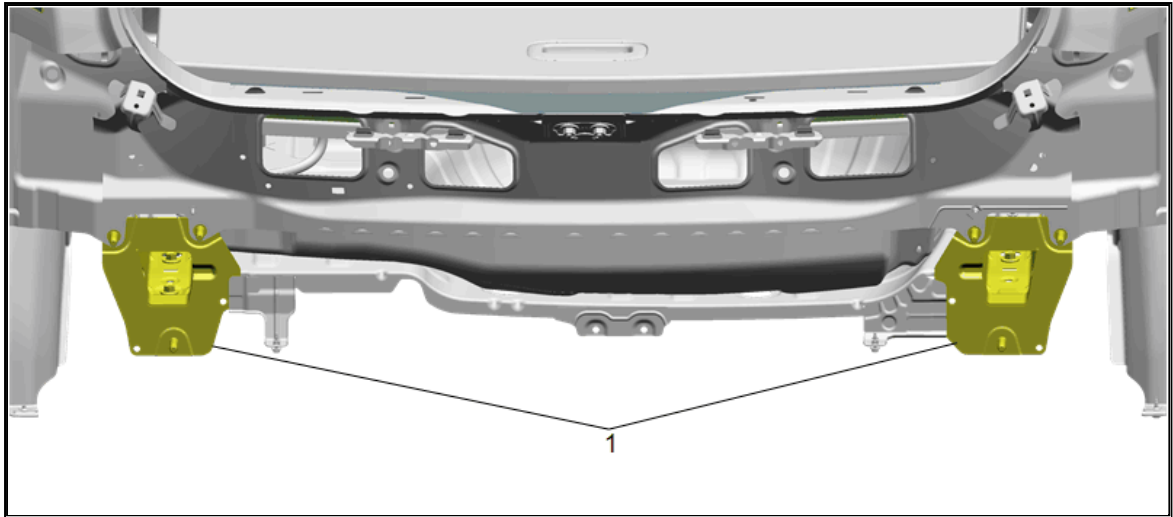
3. Detach the two inline connectors. Push back second lock (1) feature then push the hinge lock (2) and pull out the connector. With the aid of an assistant remove the fascia.



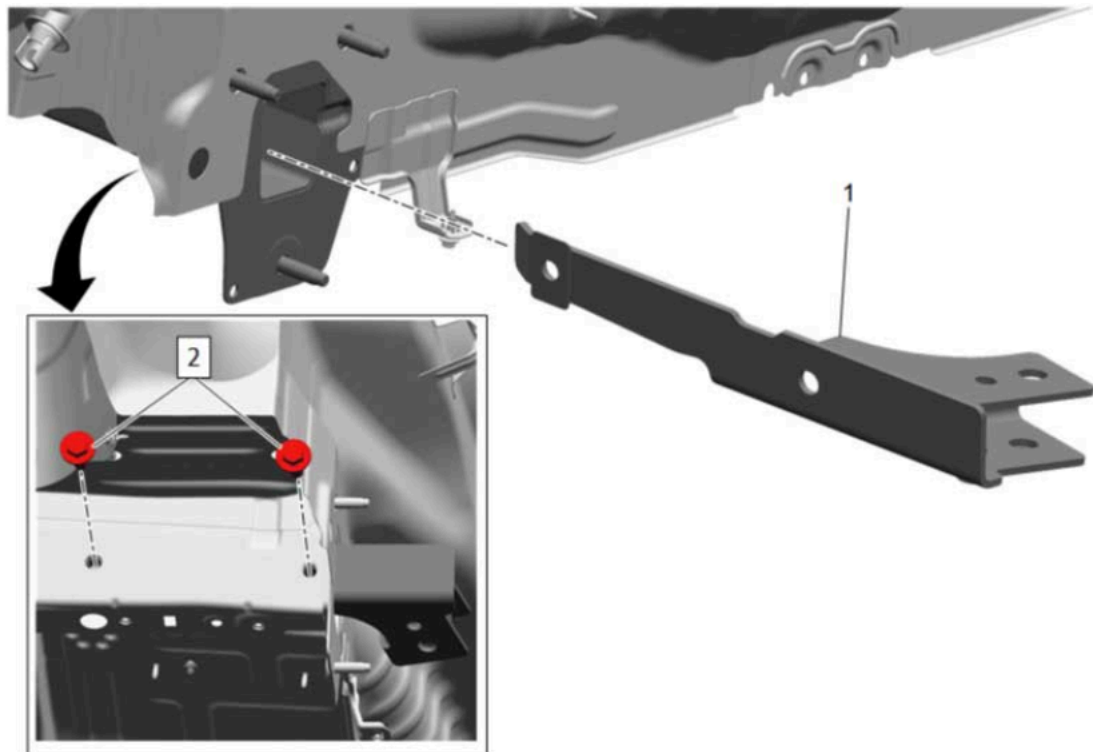
4. Detach the two connectors from the impact beam.



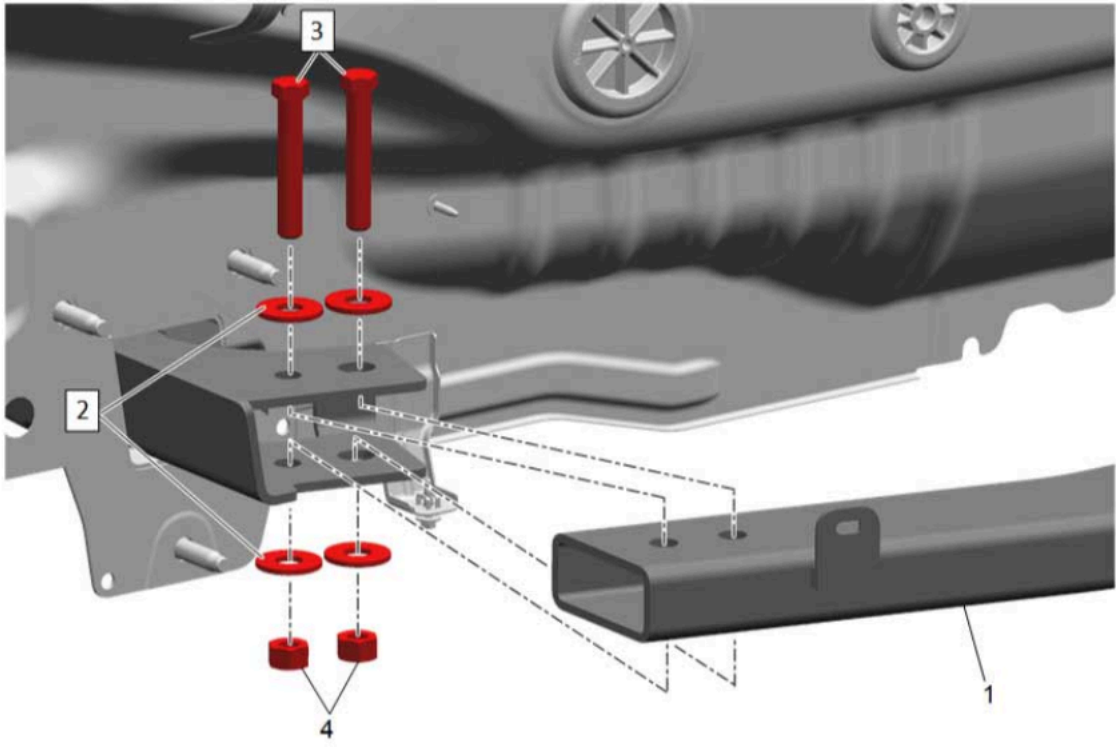
5. Cut sealer around impact beam and remove the six nuts (1) and the rear impact beam (2).



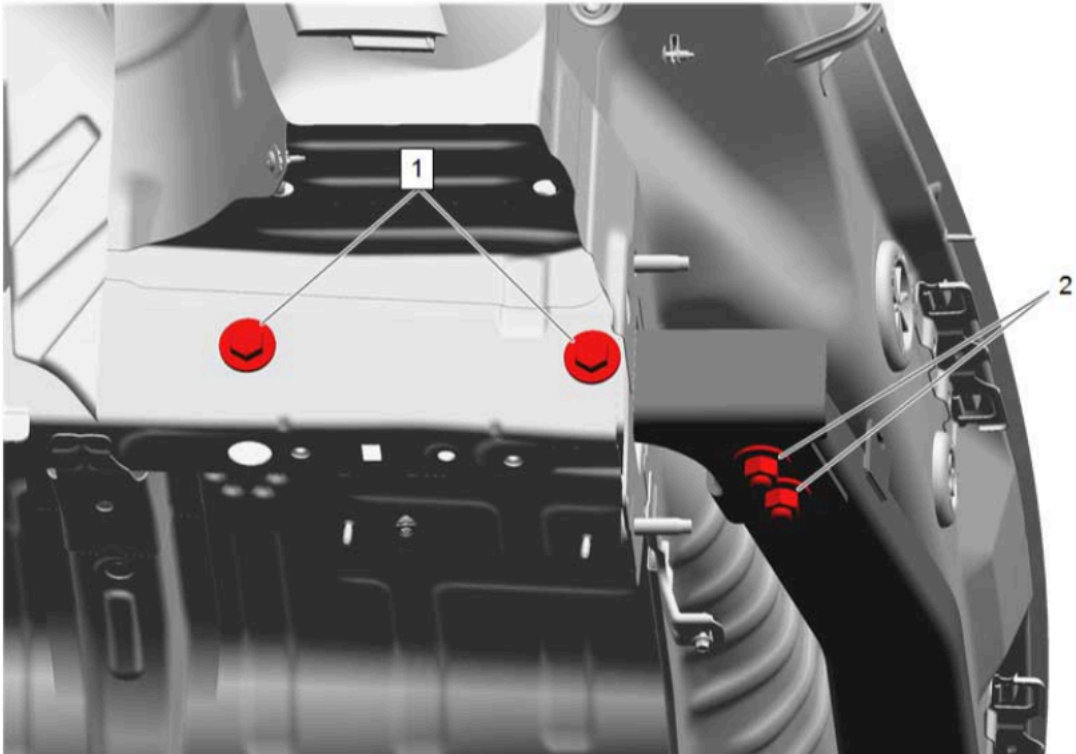
6. Apply GM Super Lube 12346241 or equivalent to yellow highlighted area (1) and any exposed bare metal surface.



7. Insert the side arms (1) into the chassis rails and install the shorter bolts with washers (2) and hand tighten only.



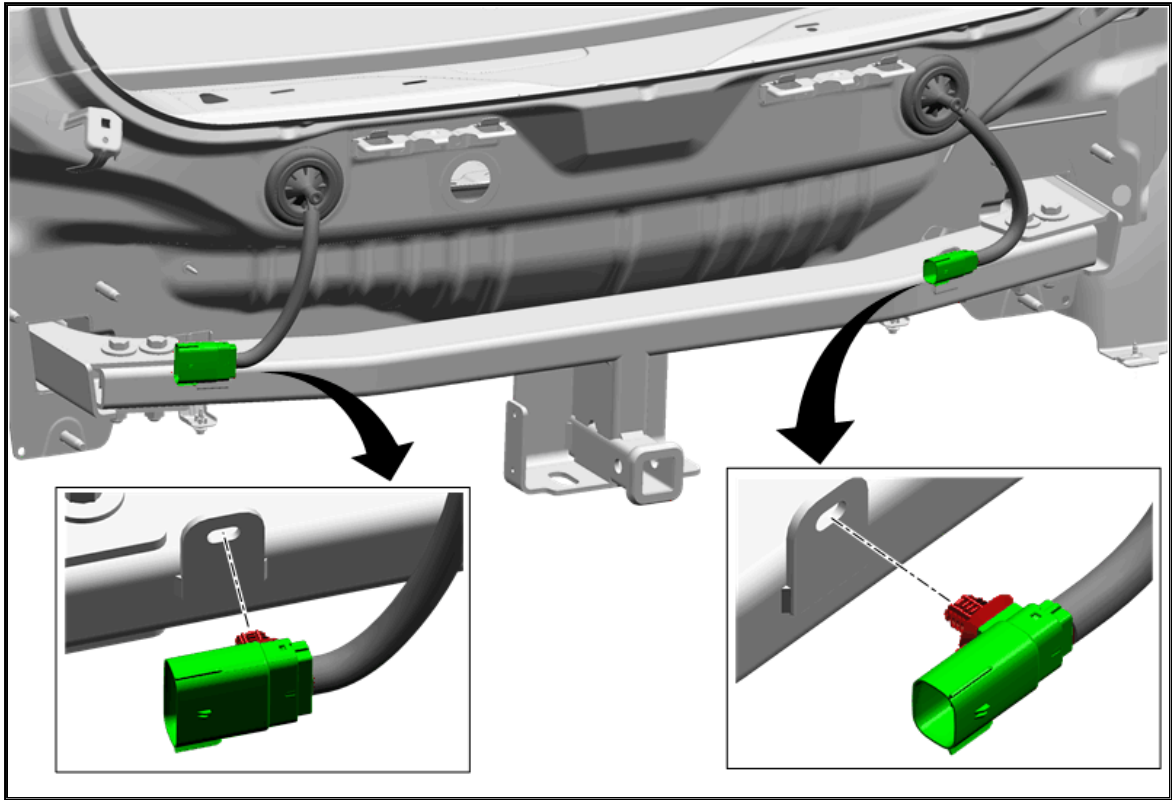
8. Attach the hitch main beam (1) with the shorter bolts (3), washers (2) and nuts (4) on both sides indicated in graphic, hand tighten only.



**Caution:** Use the correct fastener in the correct location. Replacement fasteners must be the correct part number for that application. Fasteners requiring replacement or fasteners requiring the use of thread locking compound or sealant are identified in the service procedure. Do not use paints, lubricants, or corrosion inhibitors on fasteners or fastener joint surfaces unless specified. These coatings affect

fastener torque and joint clamping force and may damage the fastener. Use the correct tightening sequence and specifications when installing fasteners in order to avoid damage to parts and systems.

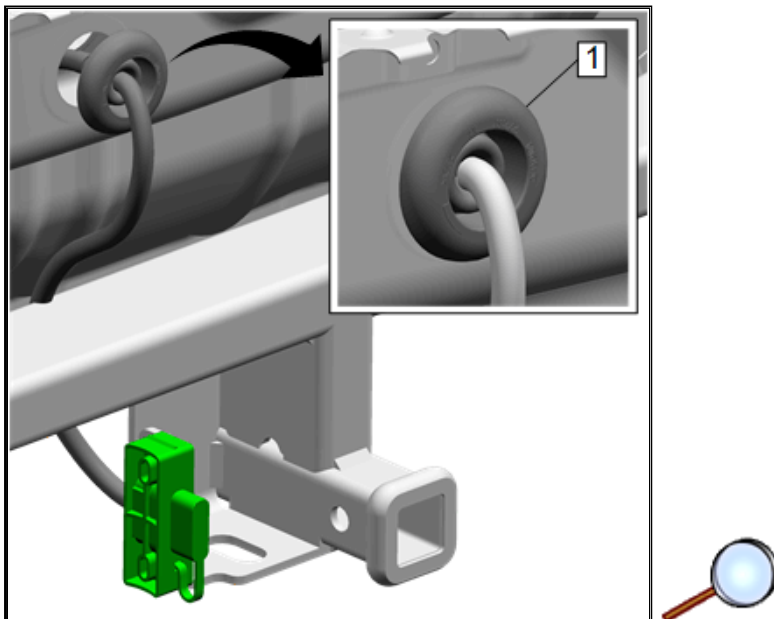
9. Tighten the side arm bolts (1) on each side of the chassis rail to 100N•m (74 lb ft).
10. Ensure center of hitch is centered to vehicle.
11. Tighten hitch beam bolts (2) on each of the side arms to 100N•m (74 lb ft).



© 2024 General Motors. All rights reserved.

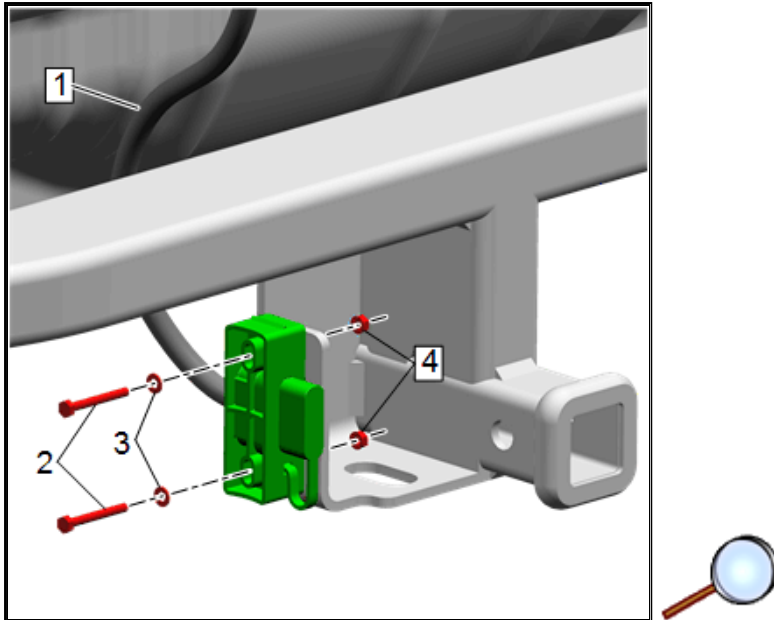


12. Attach the two connector clips on the hitch bracket.

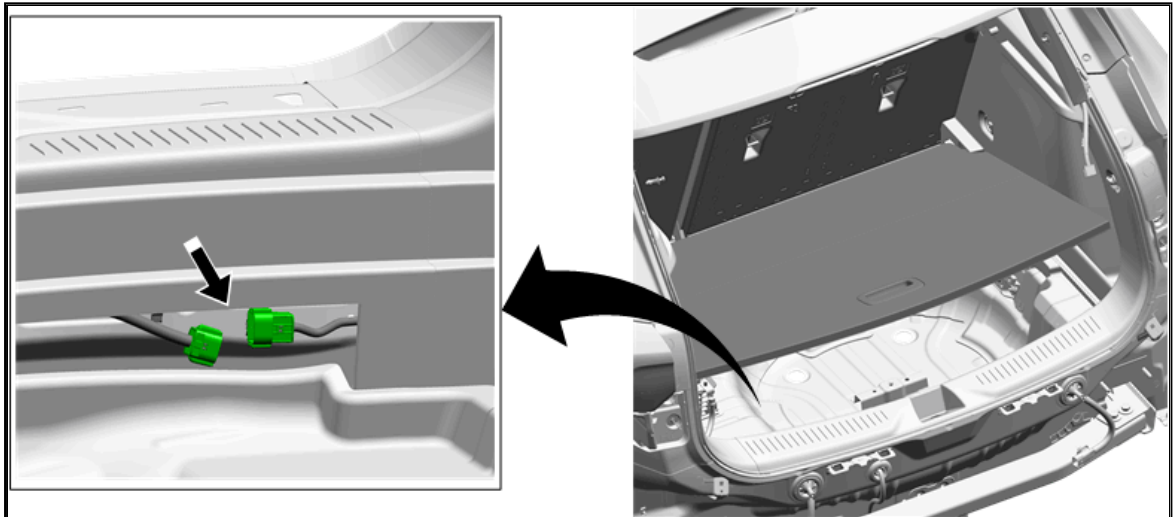


**Note:** Trailer Harness is not part of kit and must be purchased separately.

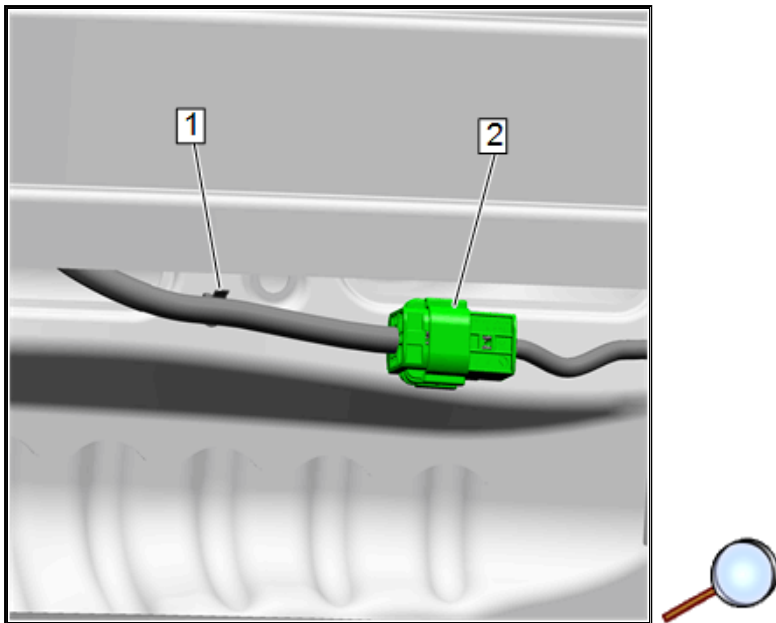
13. Prepare the trailer harness. Pass through the trailer inline connector and attach the grommet (1) on body hole.



14. Route the trailer connector branch (1) between the hitch and body side. Attach two Bolts (2) with washer (3) through the connector and hitch bracket. Attach and tighten the two nuts (4).



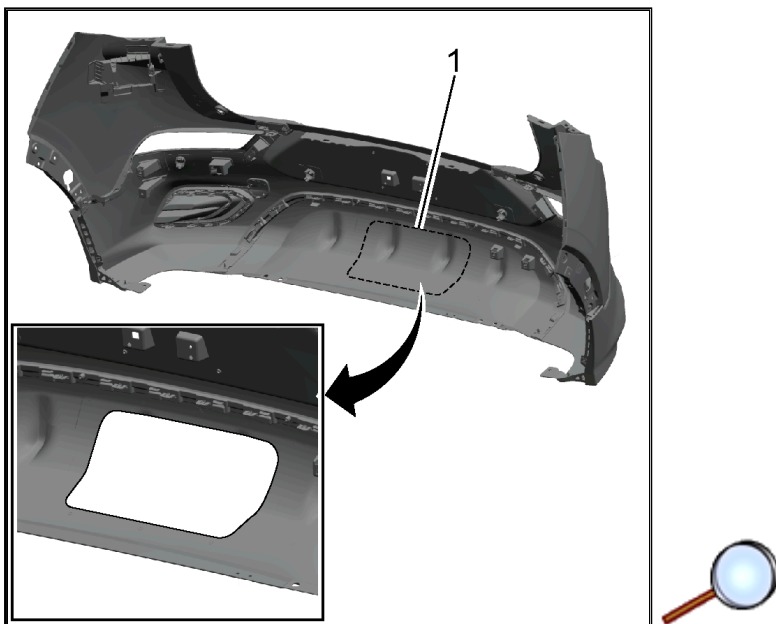
15. Remove the rear trunk floor cover to check the trailer inline bundle.



16. Pull out the trailer wiring branch from the body. Attach harness to clip (1) and attach inline connector (2).

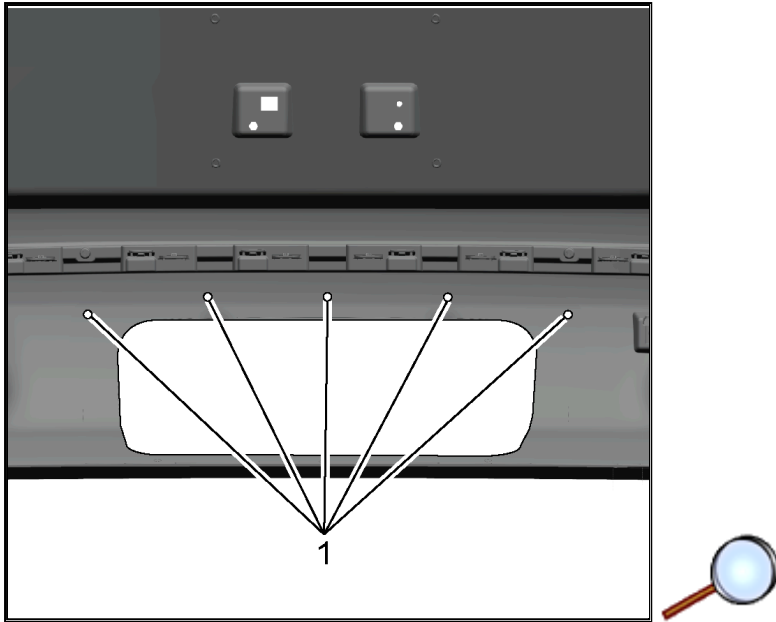
### **Trailer Hitch Bezel Installation Procedure – Encore**

**Note:** Trailer Hitch Bezel is not part of kit and must be purchased separately. Refer to Trailer Hitch Bezel Table at beginning of these instructions for correct kit application.



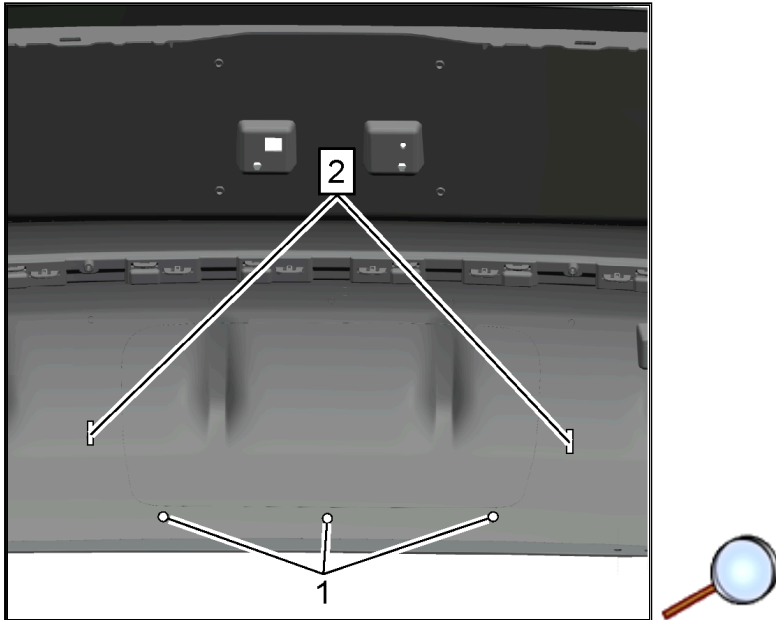
1. Using an appropriate cutting tool cut fascia based on scribed rectangular line (1).

**Note:** Bezel location is scribed on fascia for both cut line and where to drill, compare bezel to fascia before proceeding to ensure accuracy. Mark both cut line and drill hole location with a grease pencil before cutting the fascia, so that the bezel location is clearly visible.

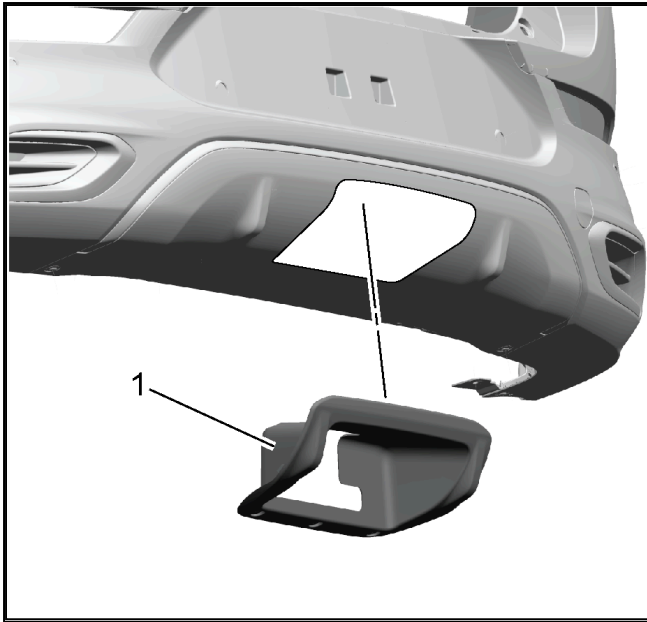


2. Using a  $11/64$ " (4mm) bit, drill five holes based on remarked points (1).

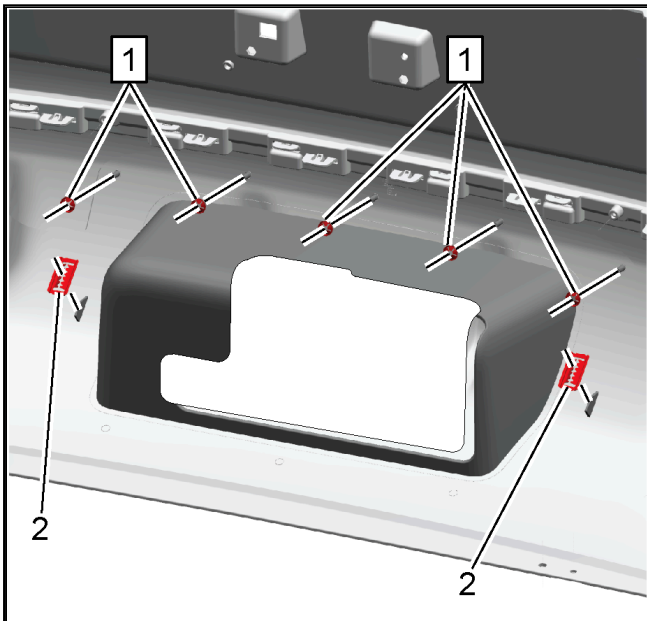
**Note:** ST shown, Base requires 6 holes drilled.



3. Using a  $13/64$ " (5mm) bit, drill three holes at scribed locations (1). Using an appropriate cutting tool, cut out rectangular shape scribed in fascia (2).

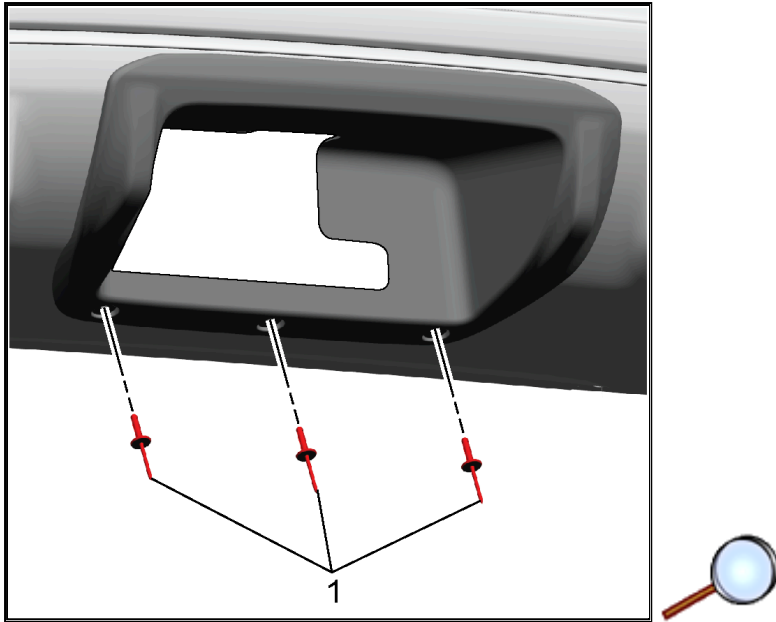


4. Install trailer hitch bezel (1).



5. Install five retainers (1) and two speed nuts (2).

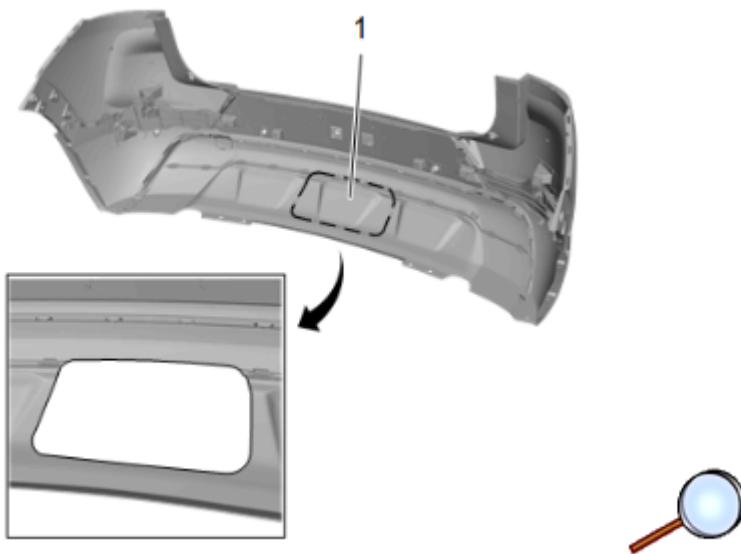
**Note:** ST shown, Base requires 6 retainers.



6. Using a rivet gun, install three rivets (1).

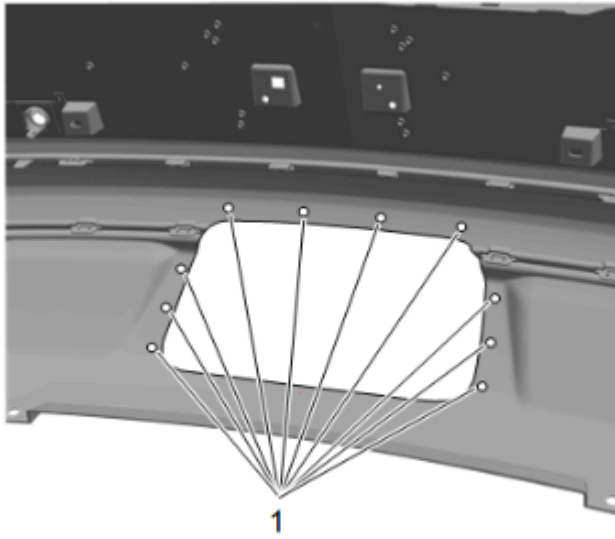
### **Trailer Hitch Bezel Installation Procedure – Trailblazer (LS/LT)**

**Note:** Trailer Hitch Bezel is not part of kit and must be purchased separately. Refer to Trailer Hitch Bezel Table at beginning of these instructions for correct kit application.

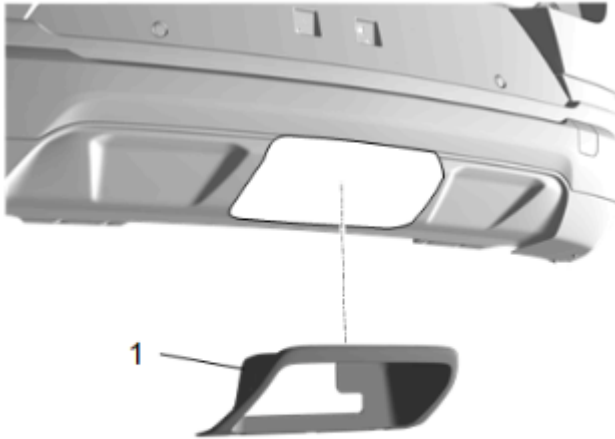


1. Using an appropriate cutting tool cut fascia based on scribed rectangular line (1).

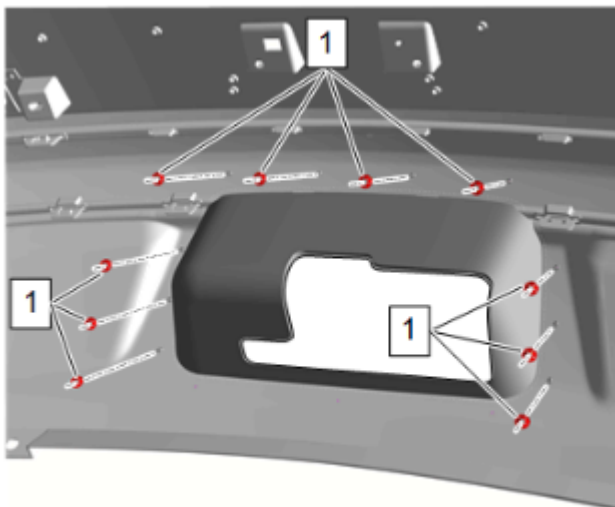
**Note:** Bezel location is scribed on fascia for both cut line and where to drill, compare bezel to fascia before proceeding to ensure accuracy. Mark both cut line and drill hole location with a grease pencil before cutting the fascia, so that the bezel location is clearly visible.



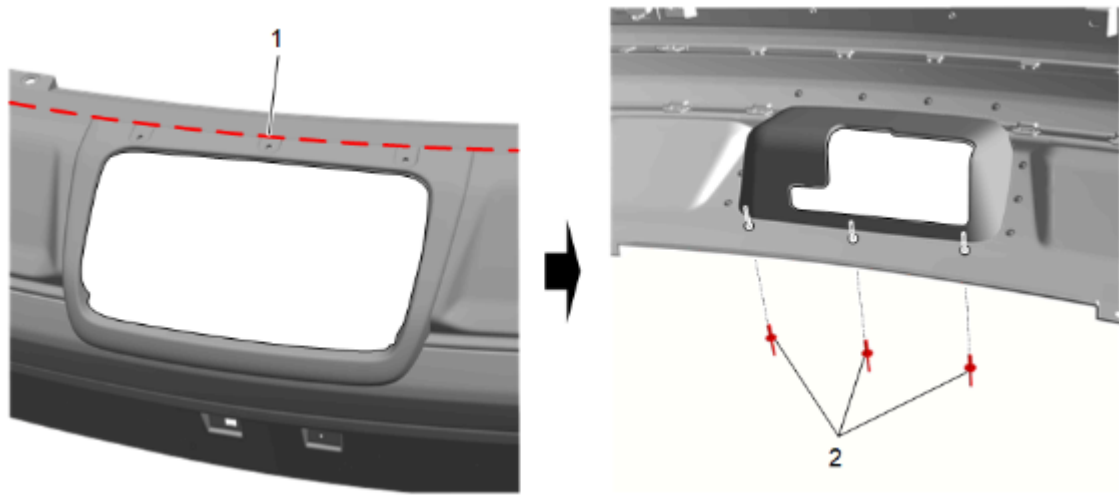
2. Using an 11/64" (4 mm) bit, drill holes at scribed locations (1).



3. Install the trailer hitch bezel (1) to the fascia while adjusting the gap. if necessary, cut the fascia additionally.



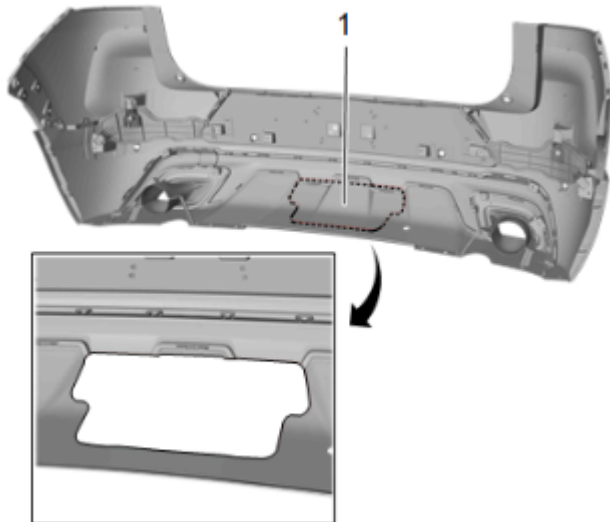
4. Install ten retainers (1).



5. Align the bezel to the outer parting line (1) on the fascia.
6. Using a 13/64" (5 mm) bit, drill three holes at scribed locations and then install rivets (2) with rivet gun.

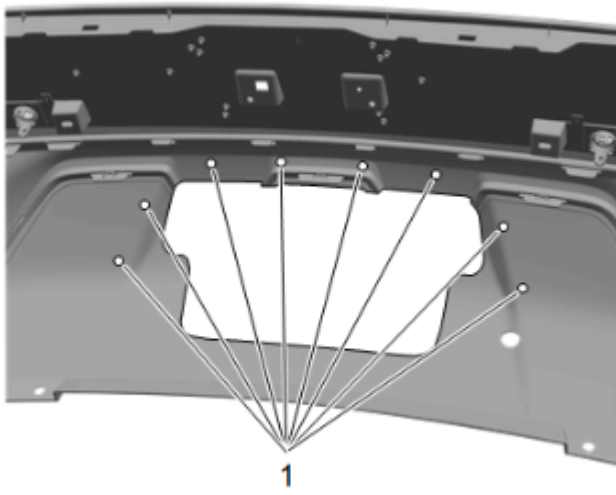
© 2024 General Motors. All rights reserved. **Trailer Hitch Bezel Installation Procedure – Trailblazer (ACTIV)**

**Note:** Trailer Hitch Bezel is not part of kit and must be purchased separately. Refer to Trailer Hitch Bezel Table at beginning of these instructions for correct kit application.

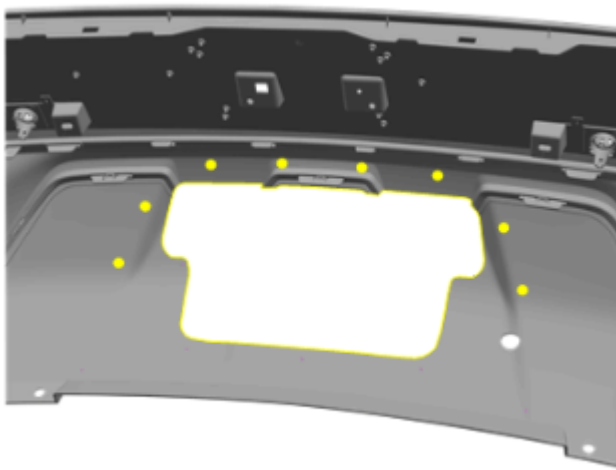


1. Using an appropriate cutting tool cut fascia based on scribed rectangular line (1).

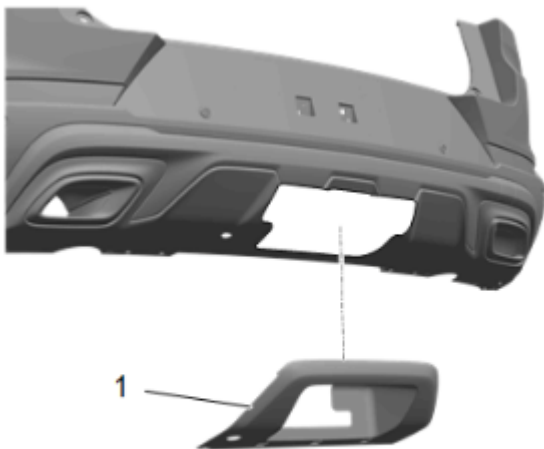
**Note:** Bezel location is scribed on fascia for both cut line and where to drill, compare bezel to fascia before proceeding to ensure accuracy. Mark both cut line and drill hole location with a grease pencil before cutting the fascia, so that the bezel location is clearly visible.



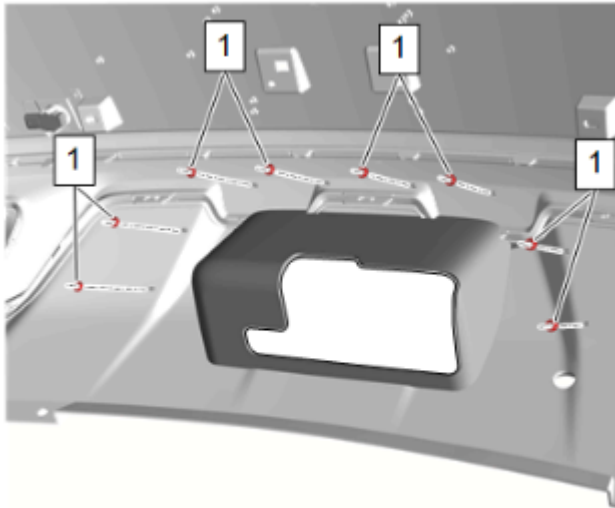
2. Using an 11/64" (4 mm) bit, drill holes at scribed locations (1).



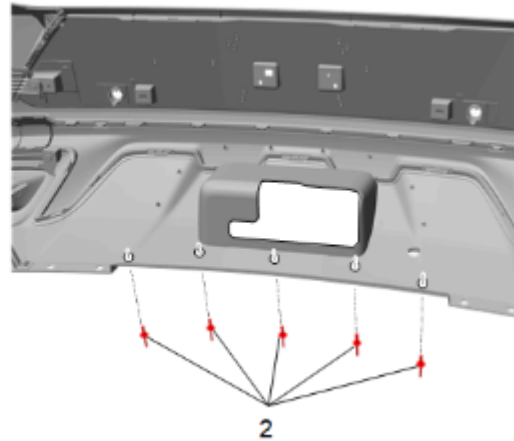
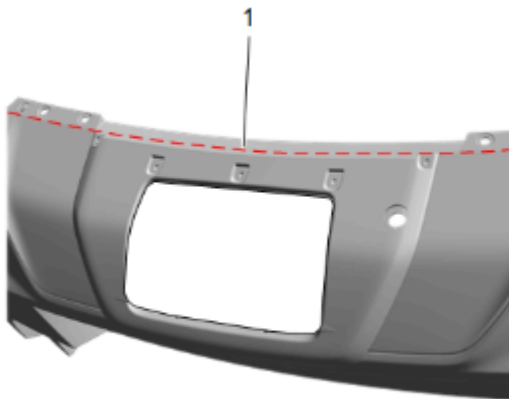
3. Apply GM Super Lube grease 12371287 or equivalent to yellow highlighted area and any exposed chrome plated edge of the cut.



4. Install the trailer hitch bezel (1) to the fascia while adjusting the gap. if necessary, cut the fascia additionally.



5. Install eight retainers (1).

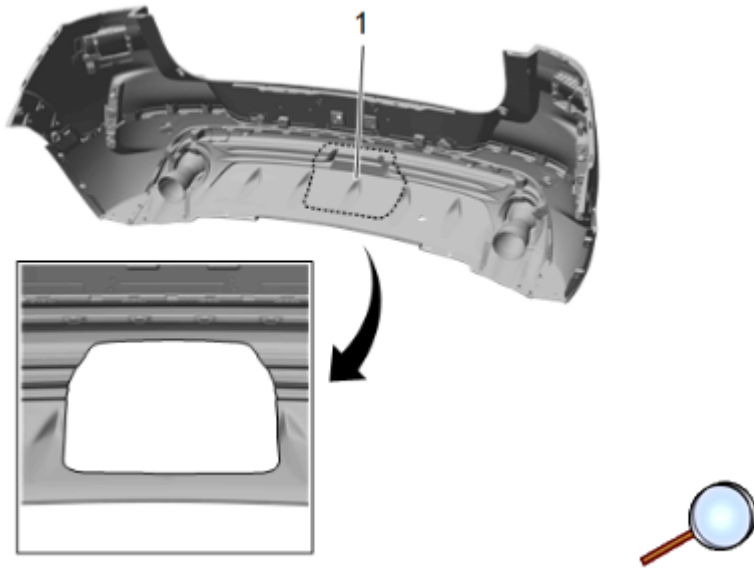


6. Align the bezel to the outer parting line (1) on the fascia.

7. Using a 13/64" (5 mm) bit, drill five holes at scribed locations and then install rivets (2) with rivet gun.

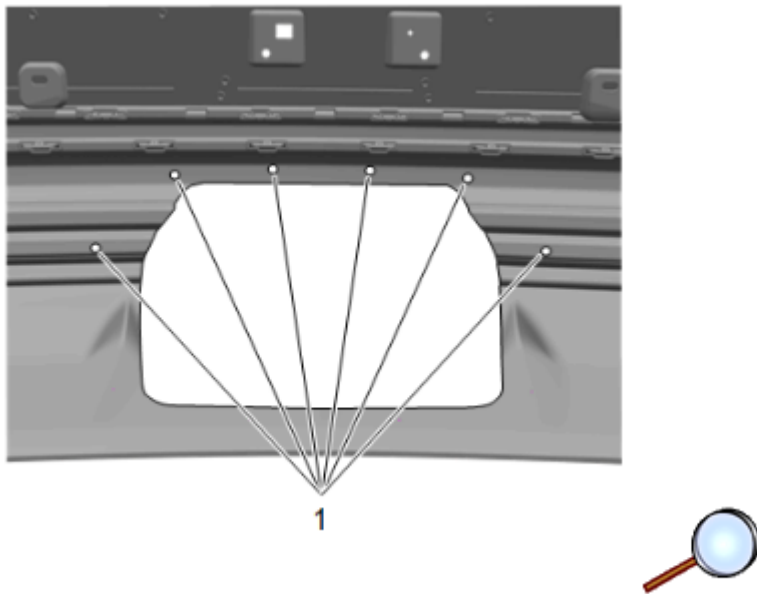
### **Trailer Hitch Bezel Installation Procedure – Trailblazer (RS)**

**Note:** Trailer Hitch Bezel is not part of kit and must be purchased separately. Refer to Trailer Hitch Bezel Table at beginning of these instructions for correct kit application.

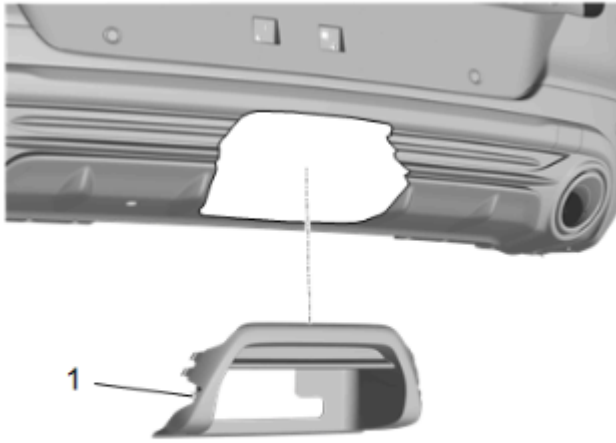


1. Using an appropriate cutting tool cut fascia based on scribed rectangular line (1).

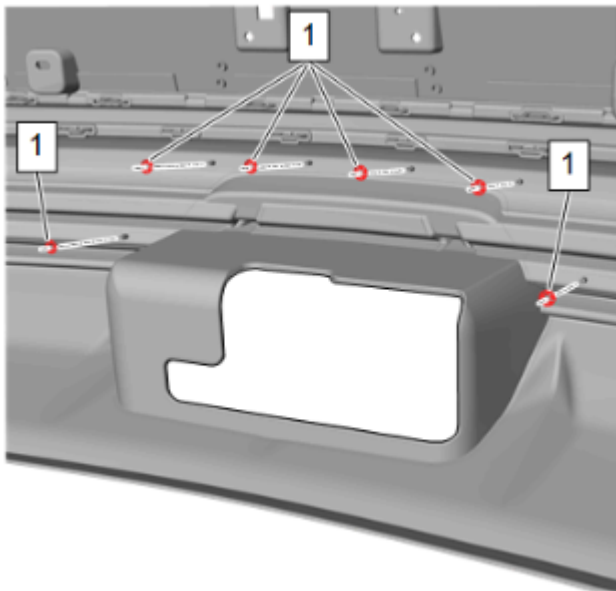
**Note:** Bezel location is scribed on fascia for both cut line and where to drill, compare bezel to fascia before proceeding to ensure accuracy. Mark both cut line and drill hole location with a grease pencil before cutting the fascia, so that the bezel location is clearly visible.



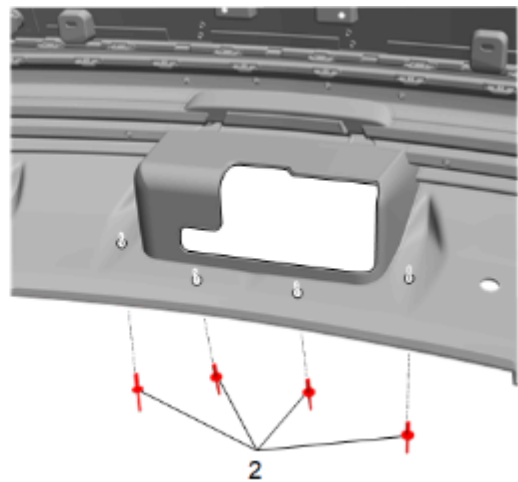
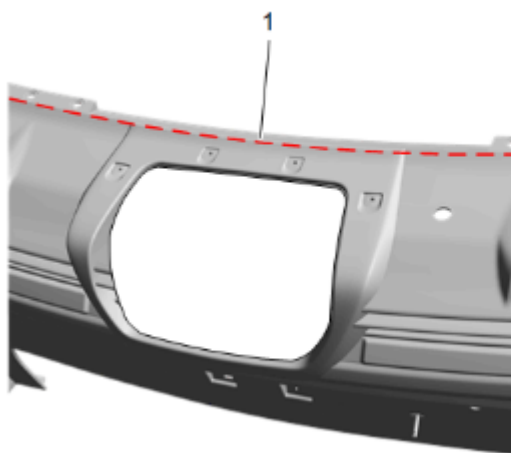
2. Using an 11/64" (4 mm) bit, drill holes at scribed locations (1).



3. Install the trailer hitch bezel (1) to the fascia while adjusting the gap. if necessary, cut the fascia additionally.



4. Install six retainers (1).



5. Align the bezel to the outer parting line (1) on the fascia.

6. Using a 13/64" (5 mm) bit, drill four holes at scribed locations and then install rivets (2) with rivet gun.

### **Final installation procedure**

1. With the aid of an assistant reinstall the rear fascia, make sure to reconnect wire harnesses. Refer to [Rear Bumper Fascia Replacement](#) in Vehicle Service Manual.
2. Reinstall the rear wheel and tire assemblies. Refer to [Tire and Wheel Removal and Installation](#) in Vehicle Service Manual.
3. Lower the vehicle.