

Brake and Accelerator Pedal Pad Package Installation (Instruction ID: 42766907)

[Installation Instructions Part Number](#)

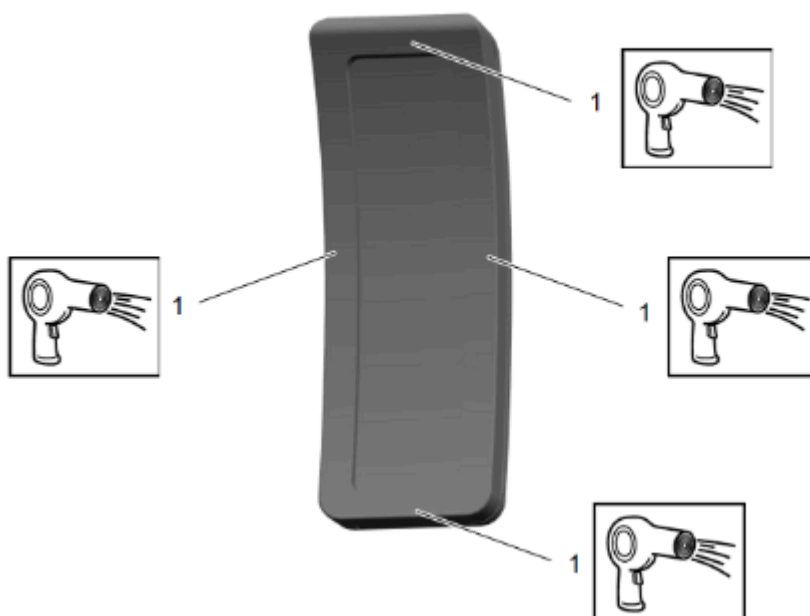
42766907

Tools required

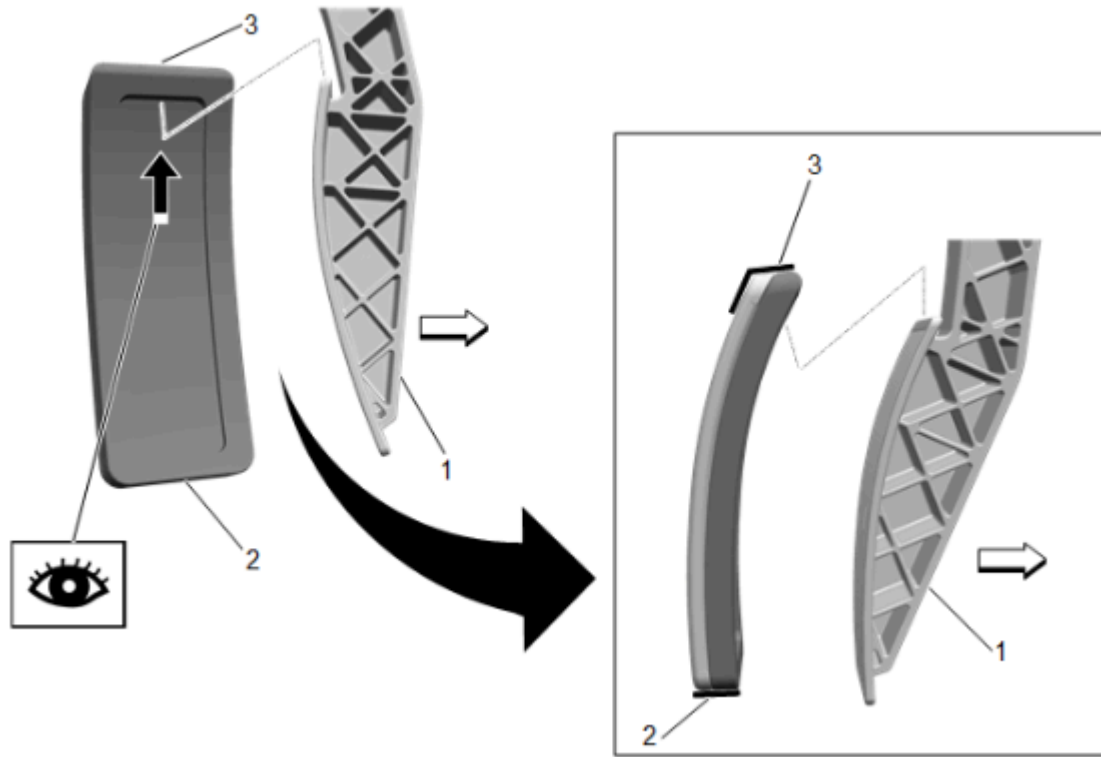
- Flat Bladed Screw Driver (optional)
- Heat Gun to warm rubber prior to install

Accelerator Pedal Pad Procedure

1. Ensure the accelerator pedal does not have any cover.

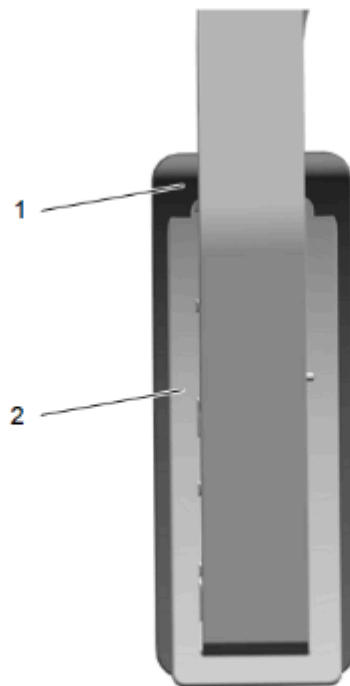


2. Using the heat gun, heat the rubber on the edges (1) of the pad until it is soft enough

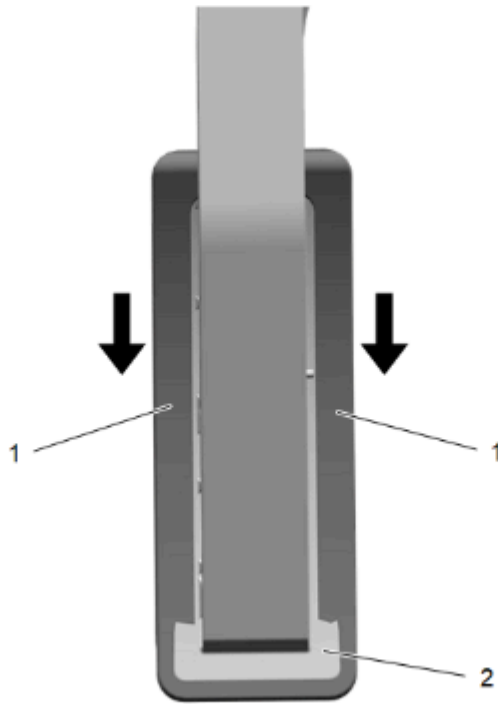


3. Ensure orientation of pedal (1) is correct.

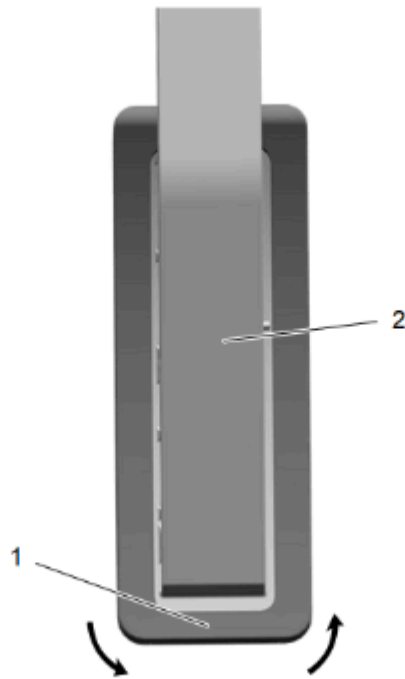
Note: Top surface of pedal pad (3) has an obtuse angle and the bottom surface of pedal pad (2) is flat (90 deg).



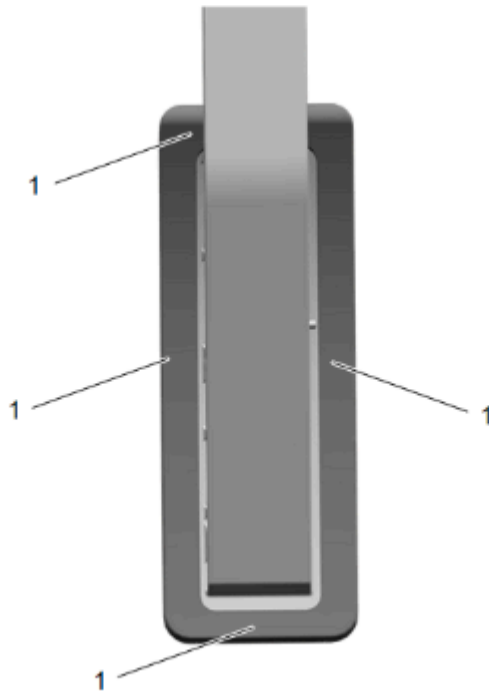
4. Attach the top edge (1) of pad to the pedal (2) by hand.



5. Attach the side edges (1) of pad to the pedal (2) by hand.



6. Attach the bottom edge (1) of pad to the pedal (2) by hand.

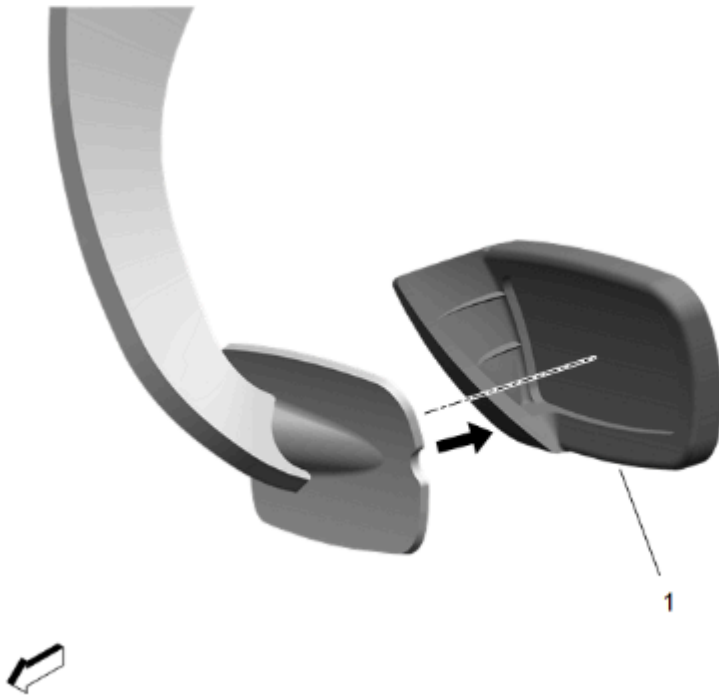


7. Ensure all edges (1) are fully seated without lib folding with a mirror on the back of the pad.



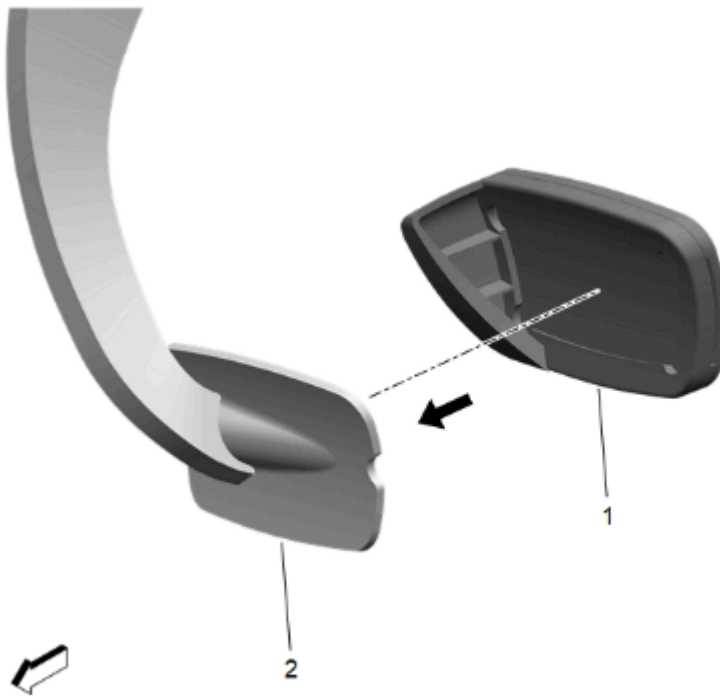
8. Pedal pad shown correctly installed.

Brake Pedal Pad Procedure

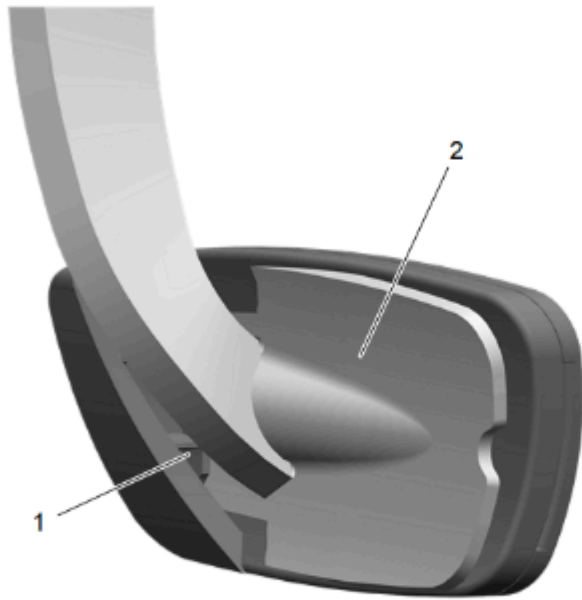


© 2024 General Motors. All rights reserved.

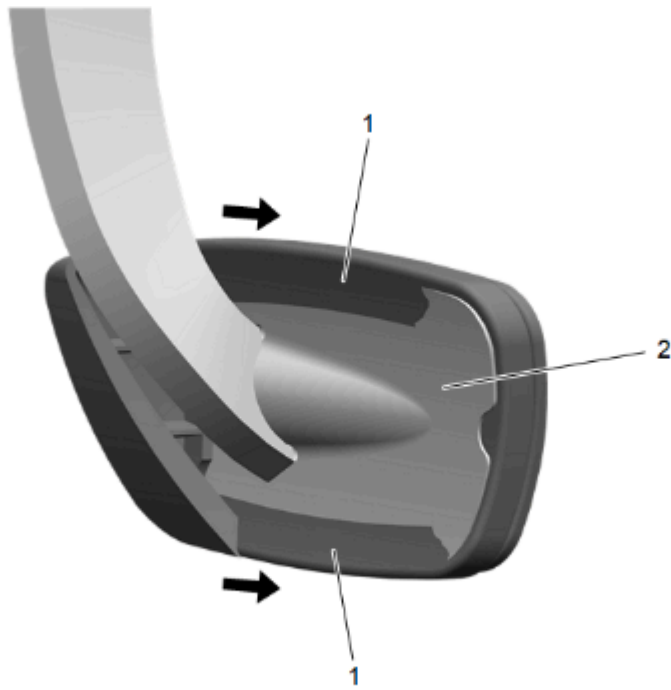
1. Using a suitable tool, remove the original brake pedal pad (1).



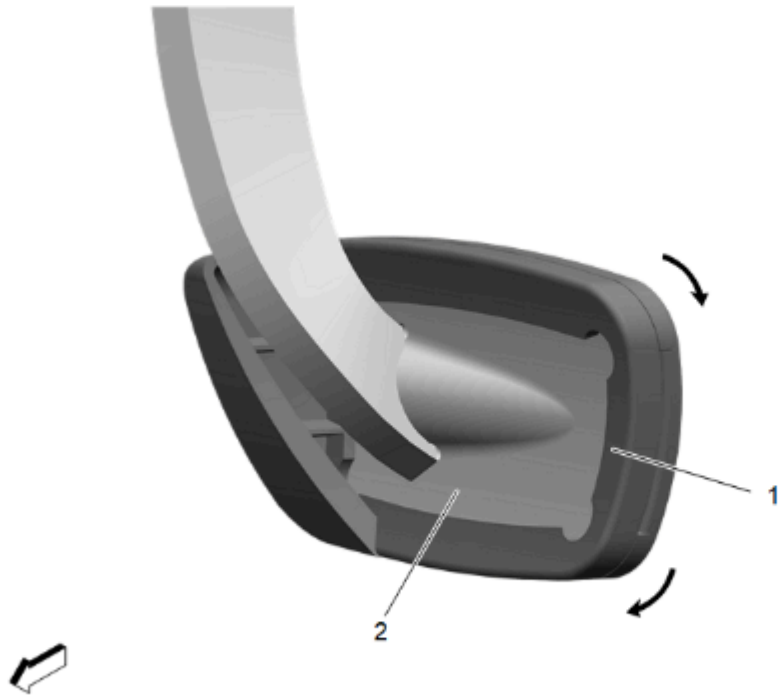
2. Ensure orientation of pad (1) and pedal (2) is correct.



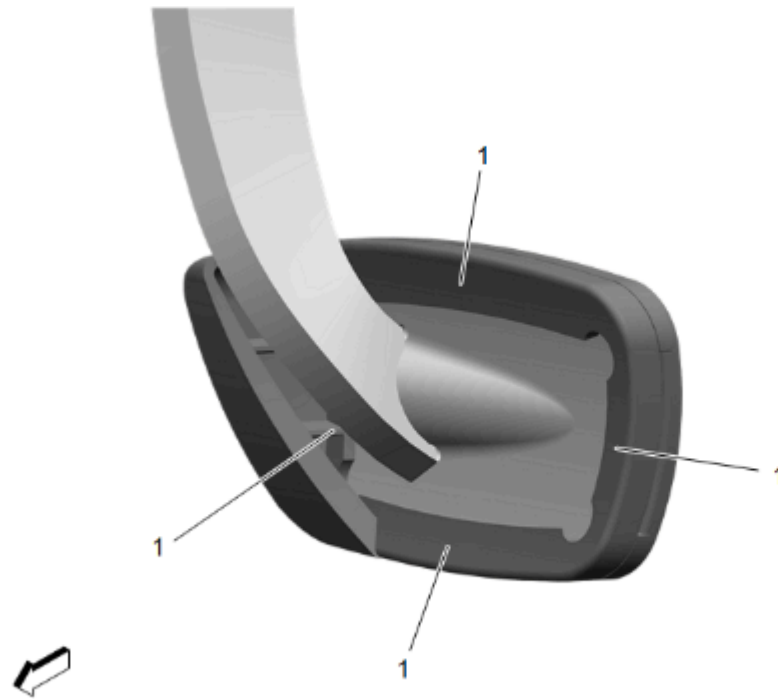
3. Attach the side edge (1) of pad to pedal (2) by hand.



4. Attach the top and bottom edges (1) of pad to pedal (2) by hand.



5. Attach the side edge (1) of pad to pedal (2) by hand.



6. Inspect all edges (1) are fully seated without lib folding with a mirror on the back of the pad.



7. Pedal pad shown correctly installed.