

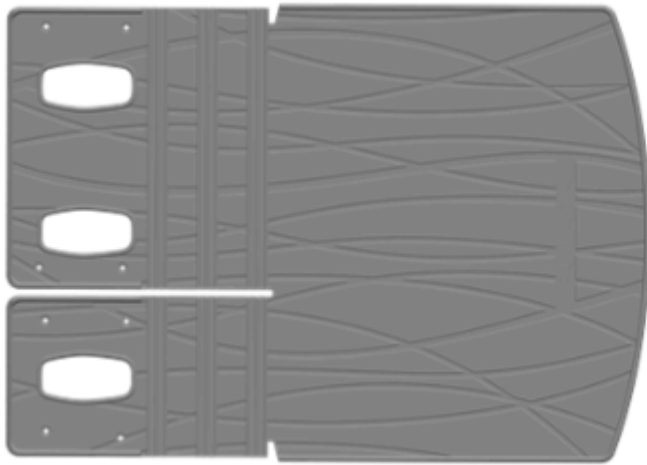
---

# Load Floor Mat Package Installation (Instruction ID: 42781106)

## Installation Instructions Part Number

42781106

## Kit Contents

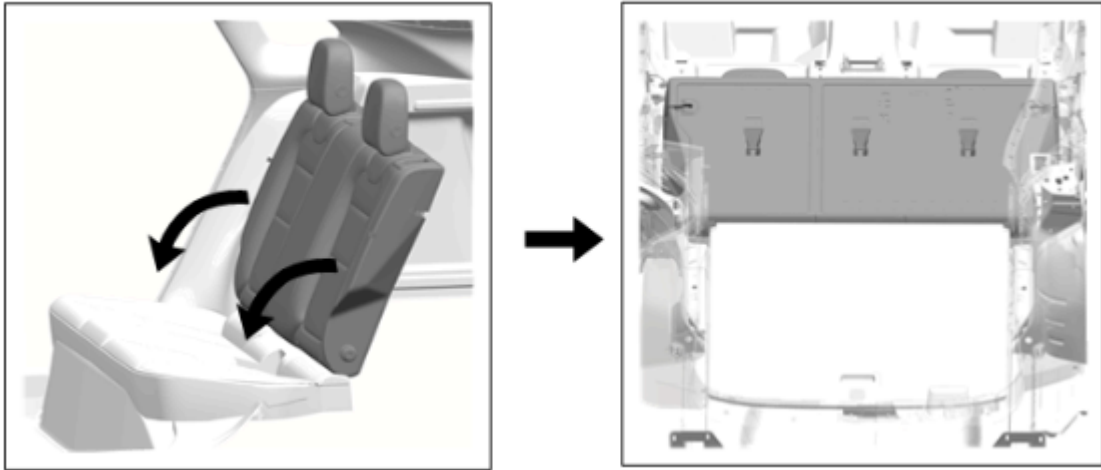


© 2024 General Motors. All rights reserved.

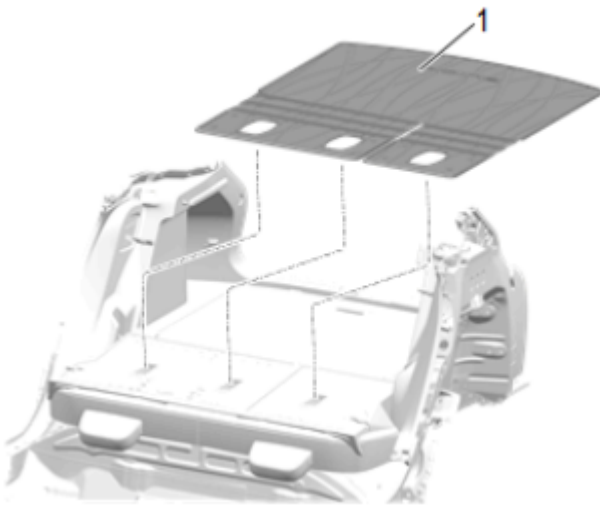
## Required Tools



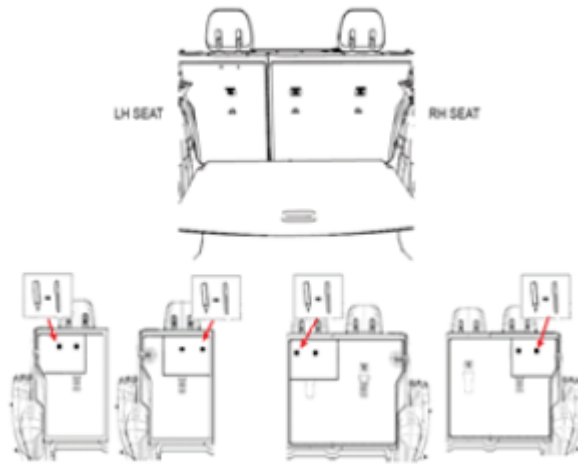
## [Procedure](#)



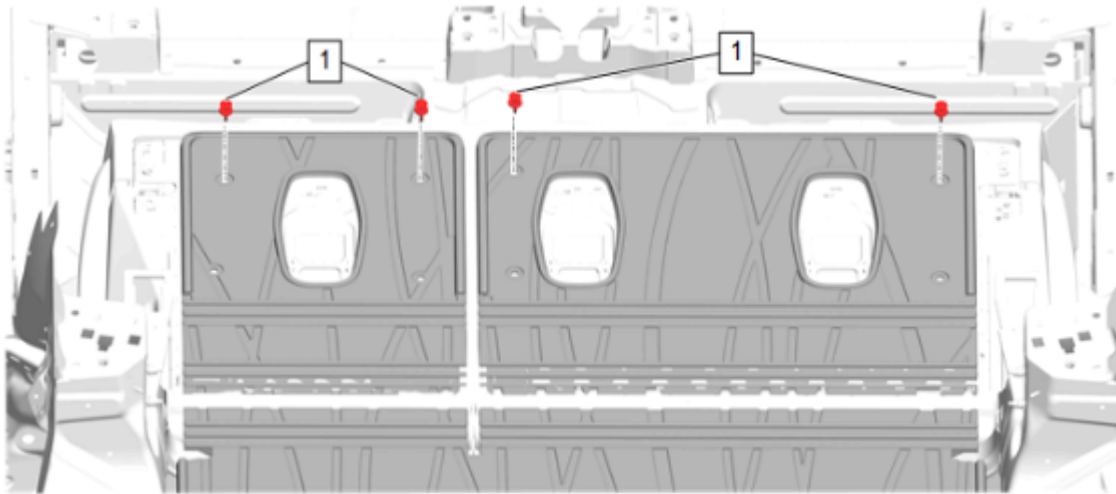
1. For ease of installation, fold rear seats down flat.



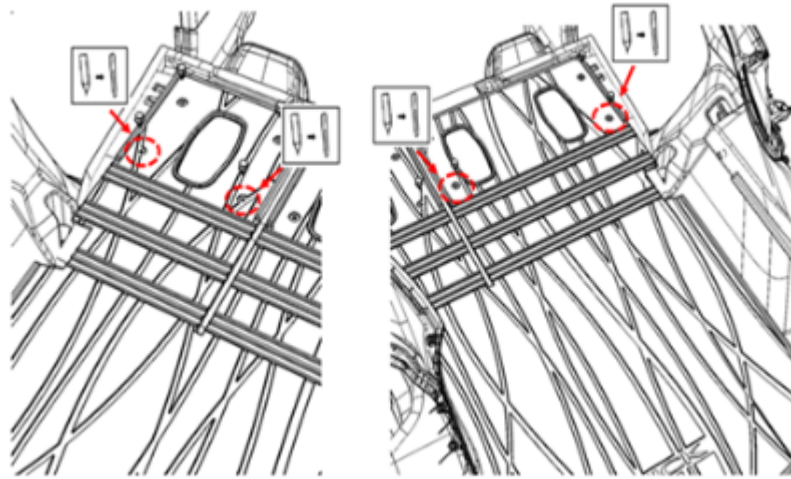
2. Position the load floor mat (1) into the vehicle. Use the seat features, tray openings, and the periphery of the rear cargo tray to help align part.



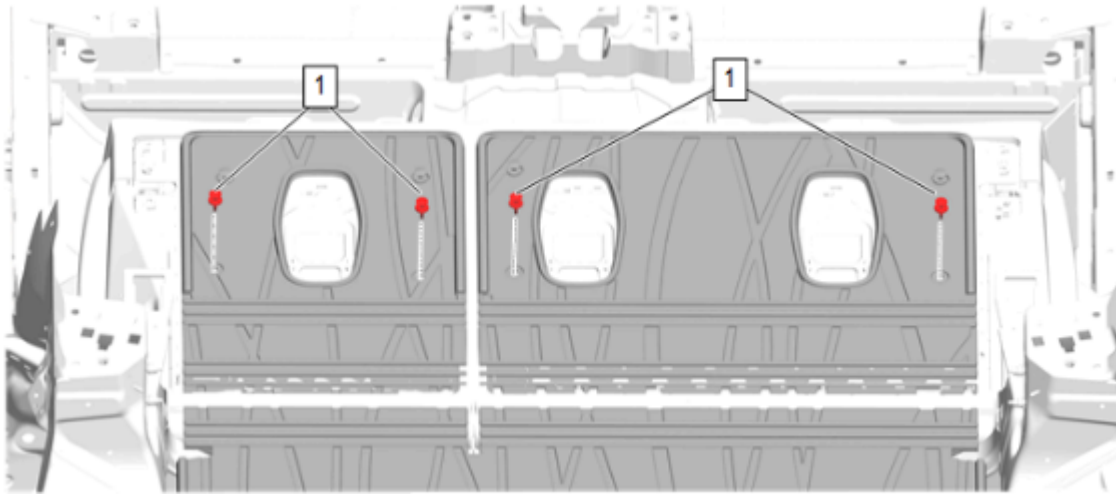
3. Using the included template, mark and cut 4 holes in the location indicated by the arrows as shown.



4. Install the 4 push pins (1) to secure the load floor mat to the seat backs and load floor.



5. Mark and cut 4 lower holes in alignment to the 4 upper hole positions as shown.



6. Install the 4 push pins (1) to secure the load floor mat to the seat backs and load floor.