

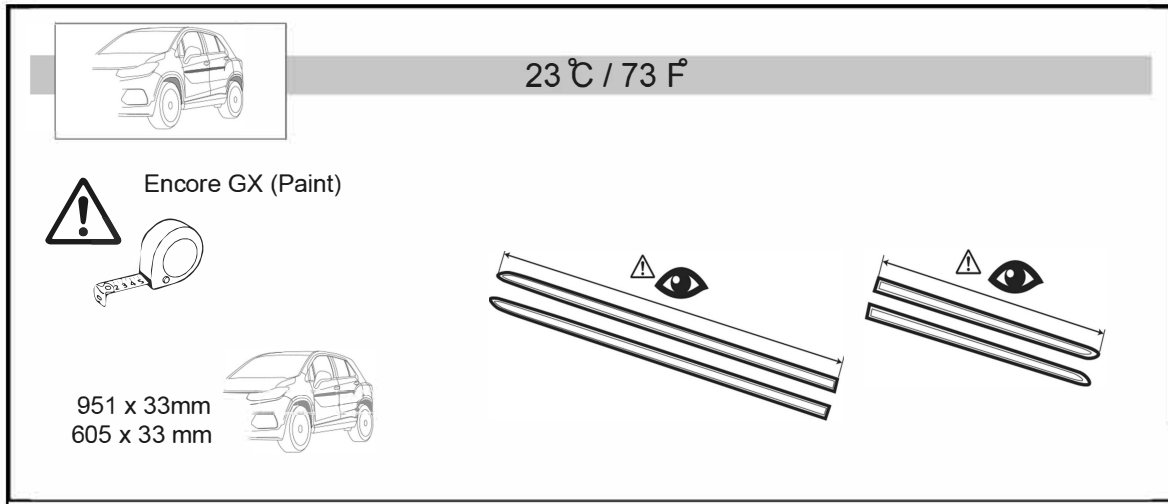
Document ID: 5609577

# Front and Rear Side Door Molding Package Installation

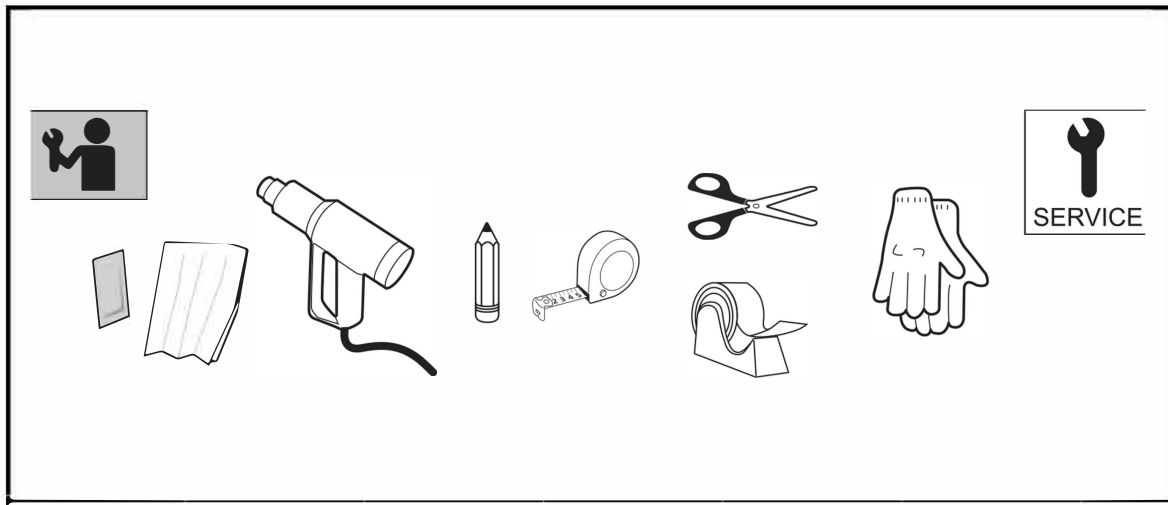
## Installation Instructions Part Number

42786375

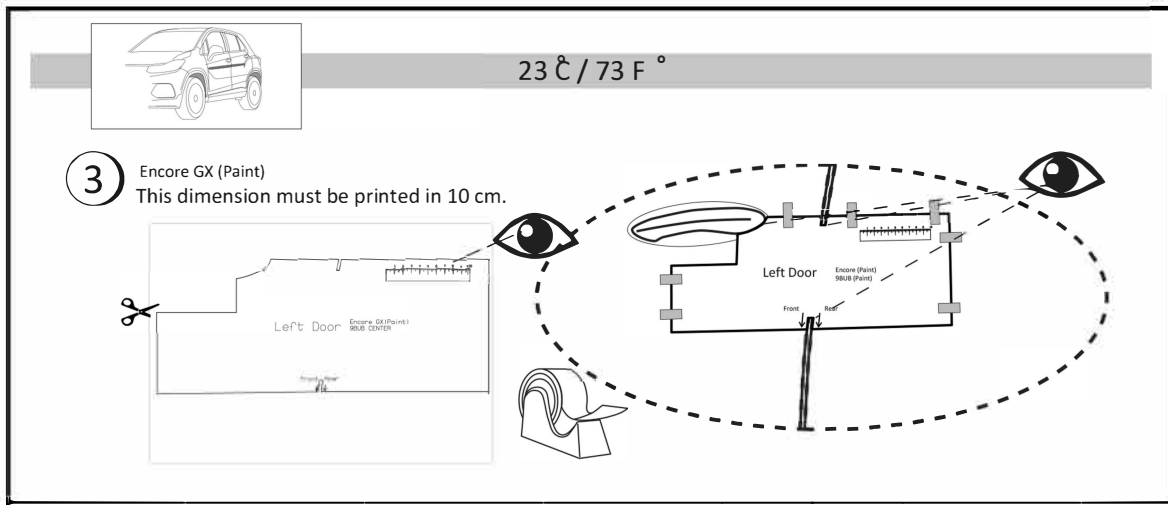
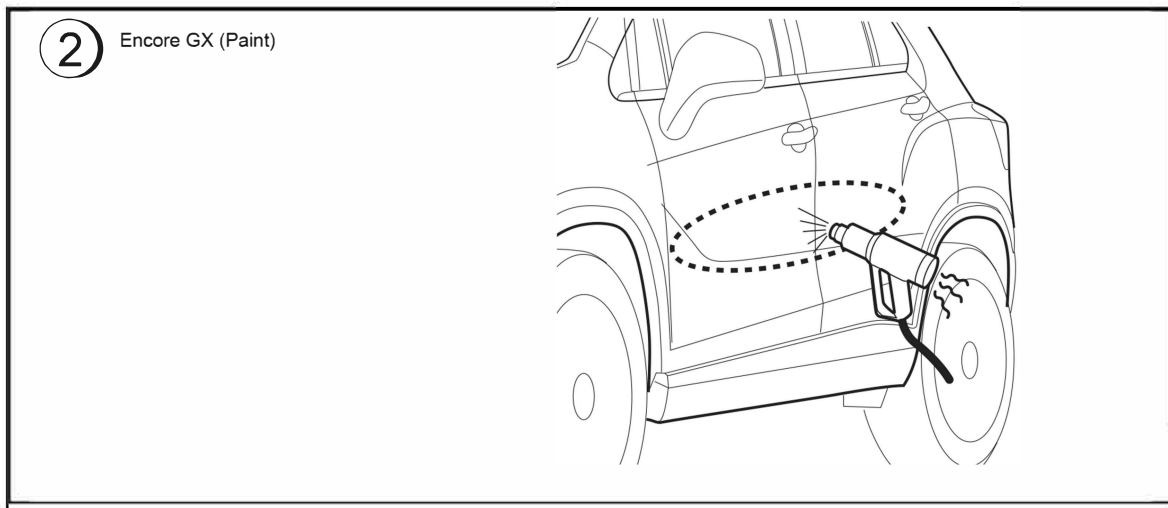
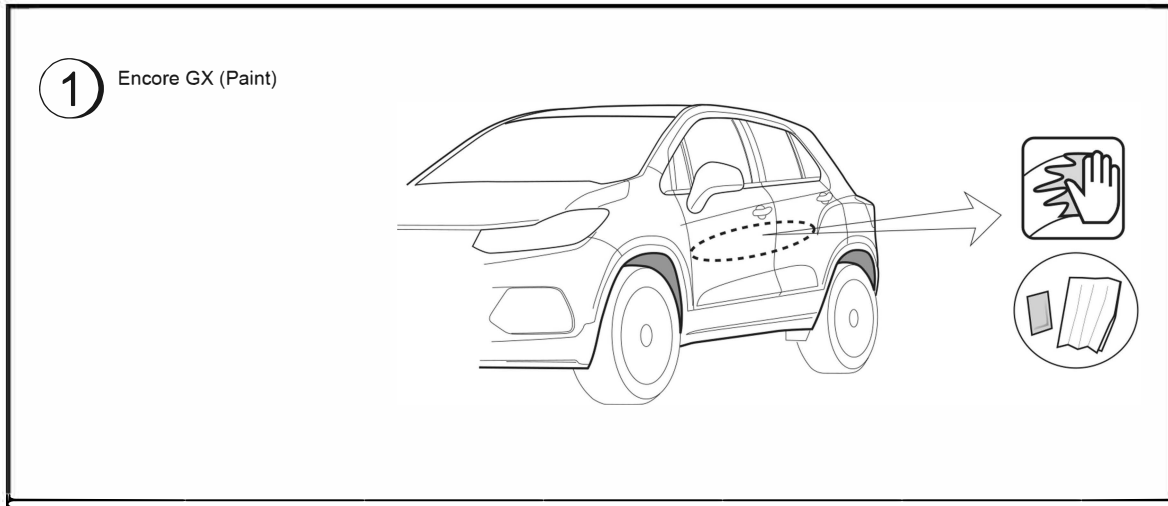
### Kit Contents



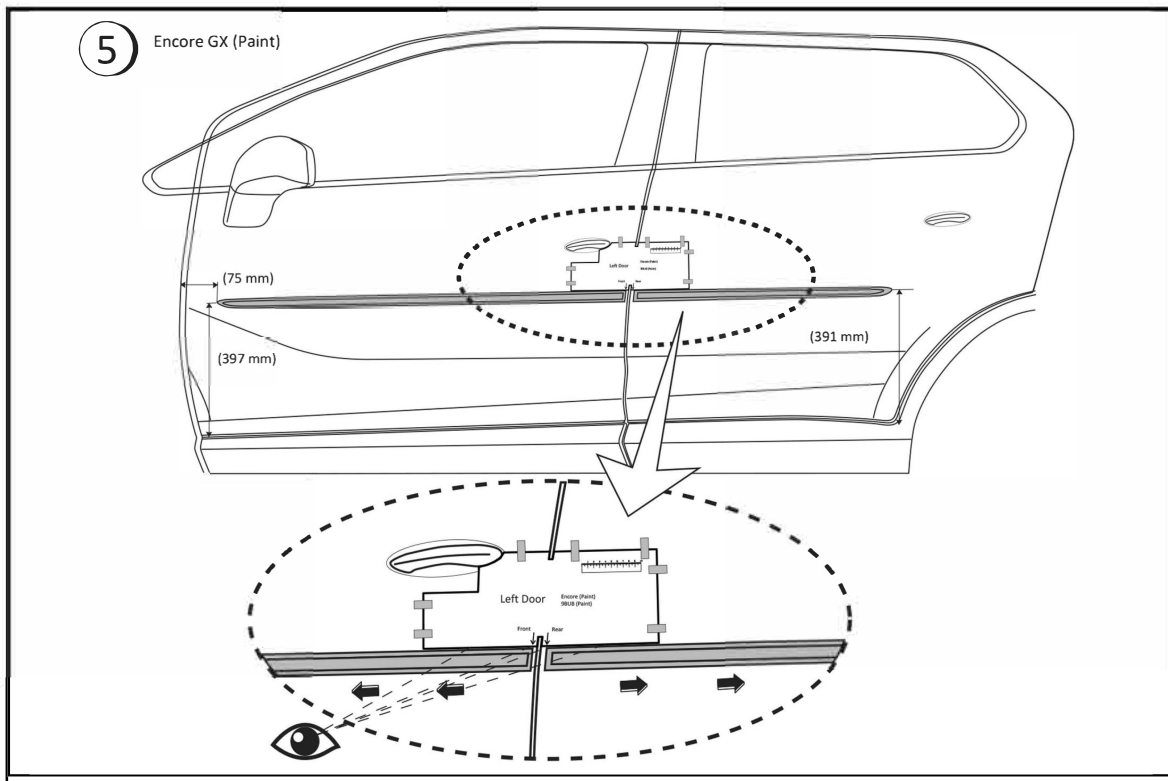
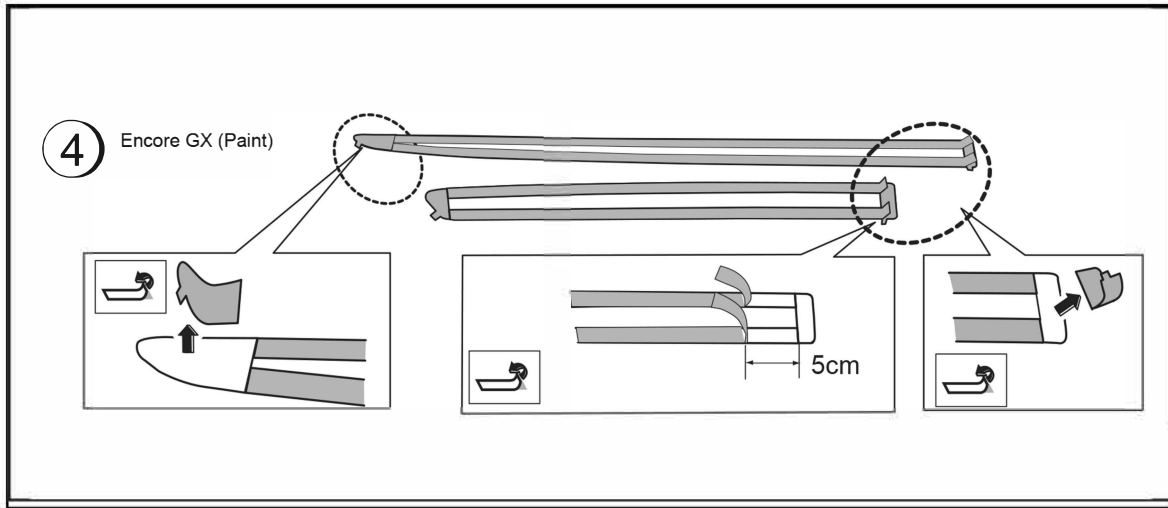
### Tools Required



## Procedure



**Caution:** Always check scale, size and position of all templates. Failing to do so may cause damage to the vehicle, misalignment of components or the inability to install the accessory.



Using the palm of the hand with approximately 10 lbs of pressure along the entire surface, wet out the molding to the mating surface to ensure full adhesion is achieved.

