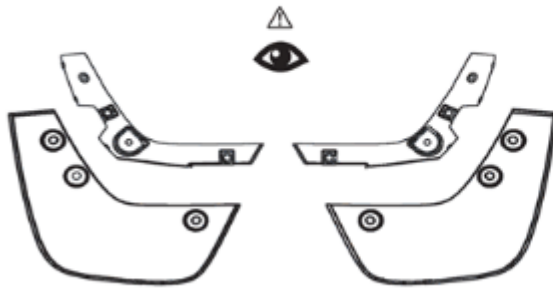


# Front Fender Mud Guard Package Installation (Instruction ID: 42808601)

## [Installation Instructions Part Number](#)

42808601

## [Kit Contents](#)



x6



x6



x2



© 2024 General Motors. All rights reserved.

## [Tools Required](#)



∅5  
(5 mm)  
(1/4 inch)

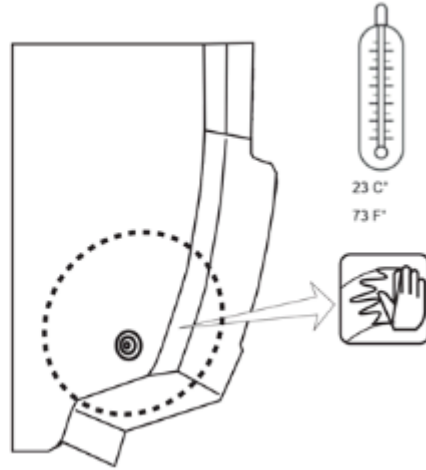
∅8  
(8 mm)  
(5/16 inch)



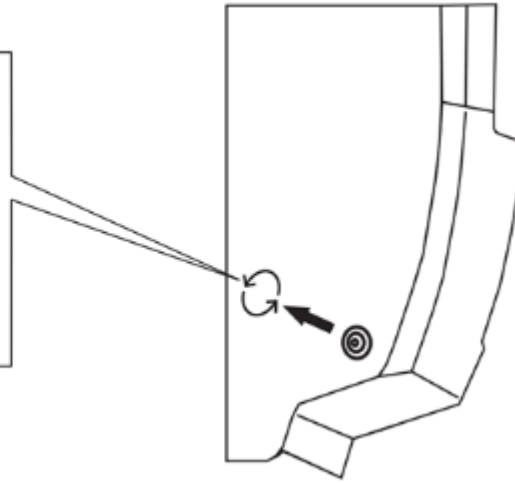
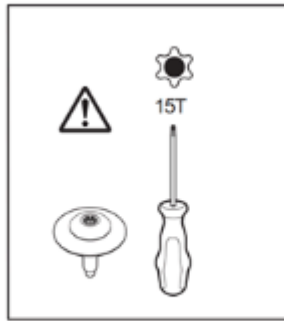
## [Procedure](#)

- Remove the front tire and wheel assembly. [Tire and Wheel Removal and Installation](#)

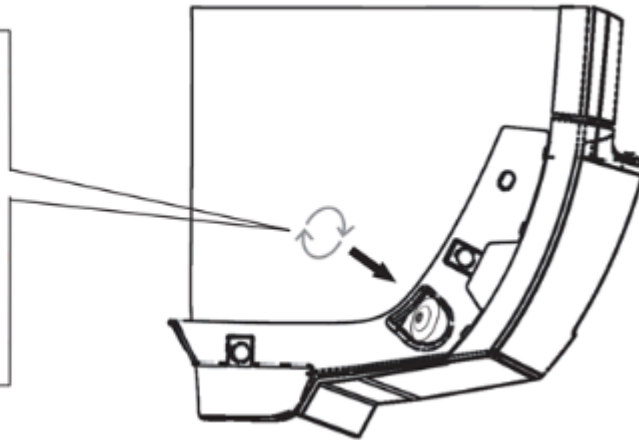
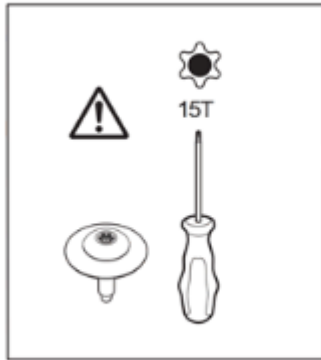
①  



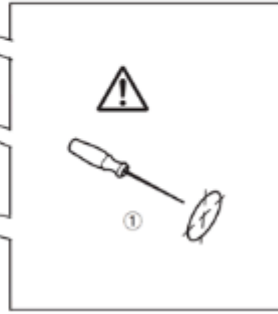
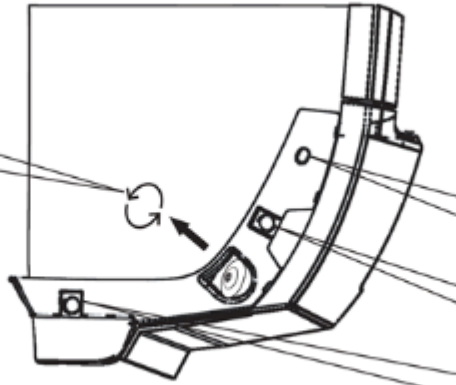
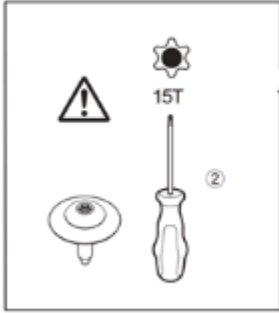
②



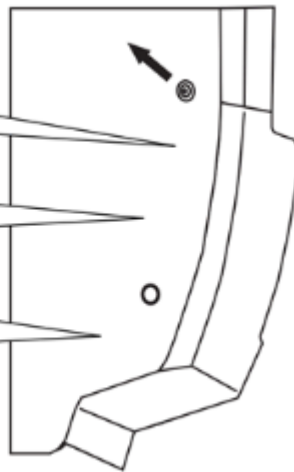
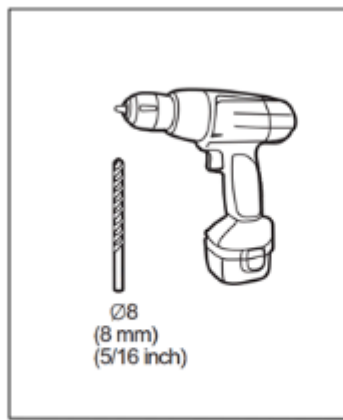
③



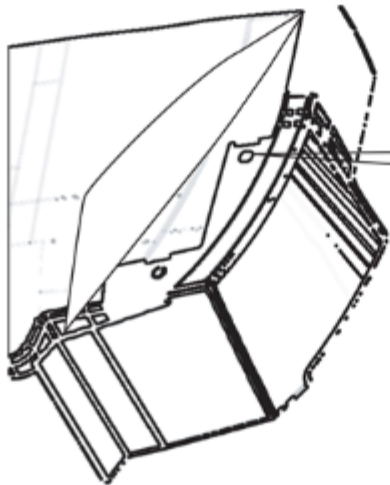
4



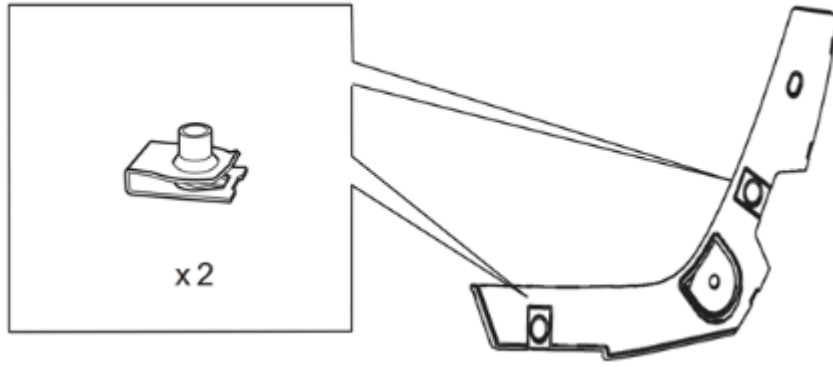
5



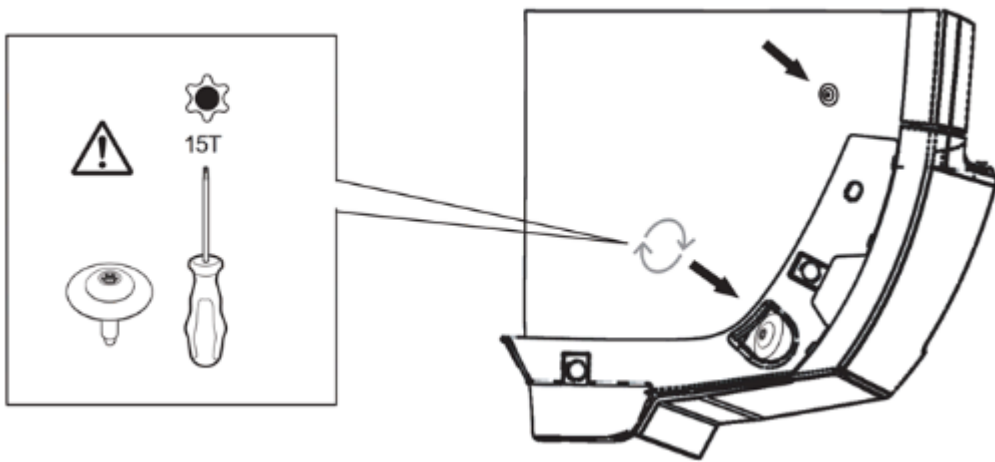
6



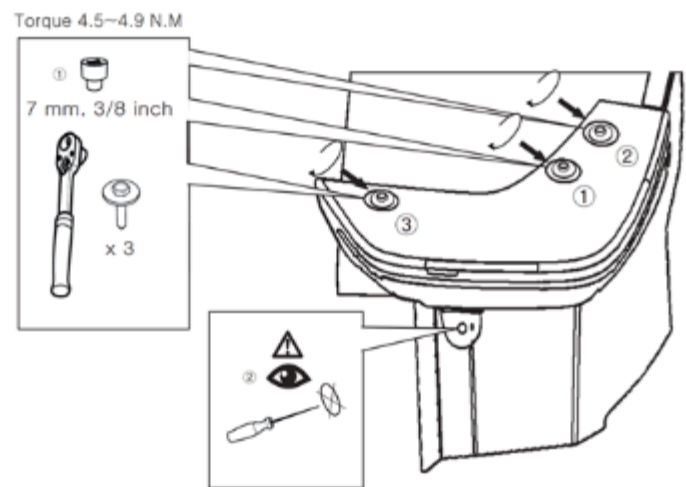
7



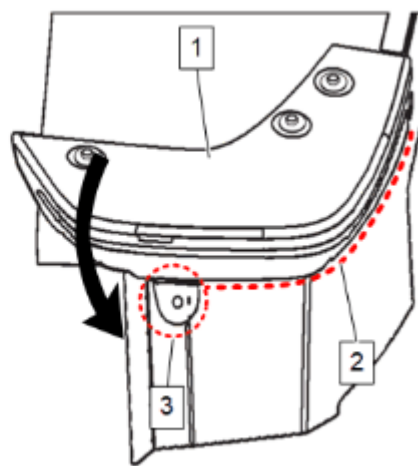
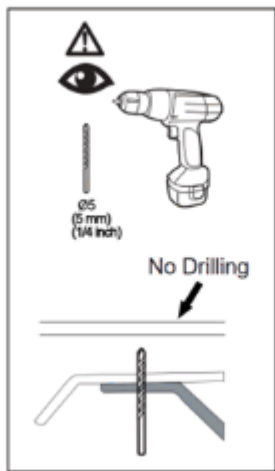
8



9

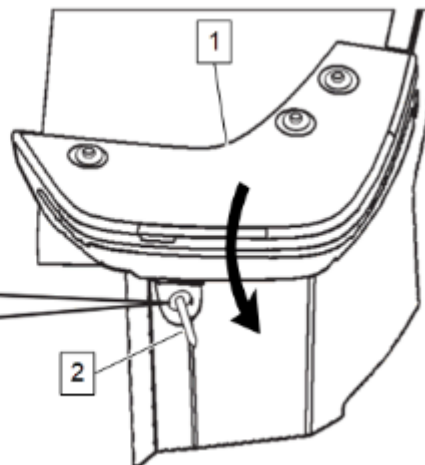
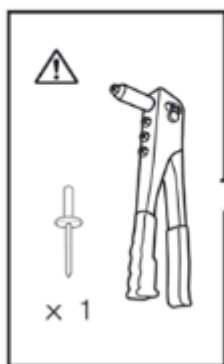


10



- Pull the front mud guard (1) in the direction of the arrow by hand.
- Be aware that gap (2) between front mud guard and front rocker molding.
- Using a ¼ inch (5 mm) bit, drill a hole through the rocker molding at the rivet hole location (3) on the front mud guard.

11



- With the front mud guard (1) pulled by hand, Install the rivet (2).
- Install the front tire and wheel assembly. [Tire and Wheel Removal and Installation](#)