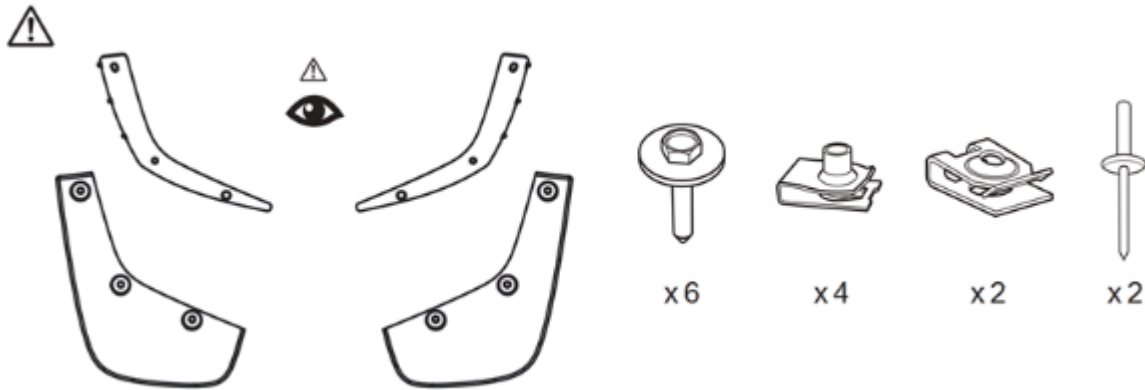


Rear Mud Guard Package Installation (Instruction ID: 42808606)

[Installation Instructions Part Number](#)

42808606

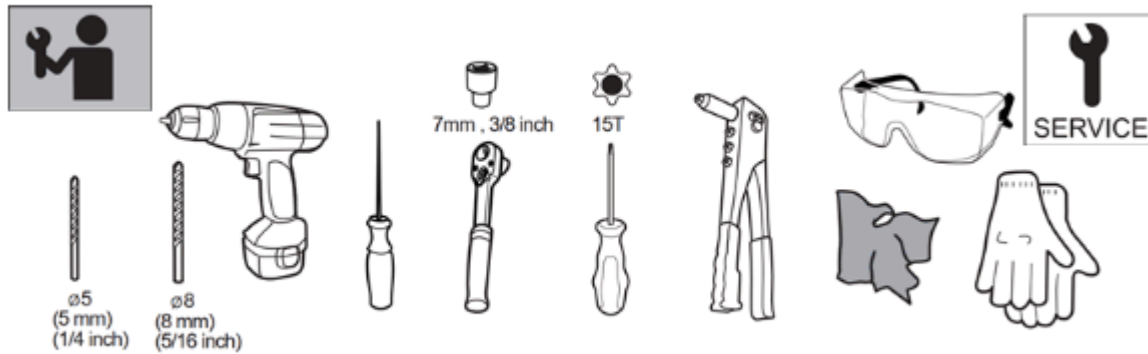
[Kit Contents](#)



© 2024 General Motors. All rights reserved.



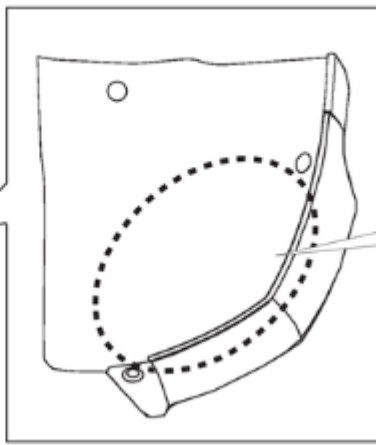
[Tools Required](#)



[Procedure](#)

- Remove the rear tire and wheel assembly. [Tire and Wheel Removal and Installation](#)

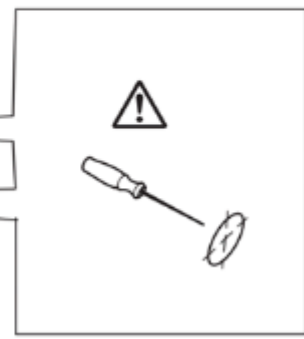
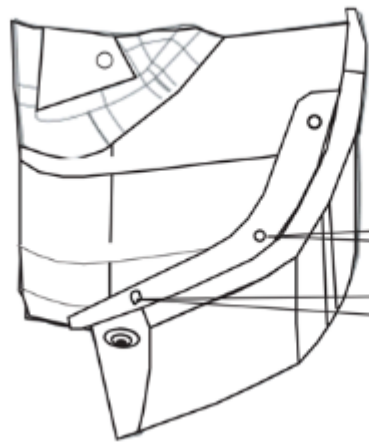
①  



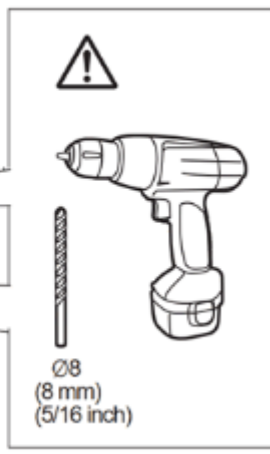
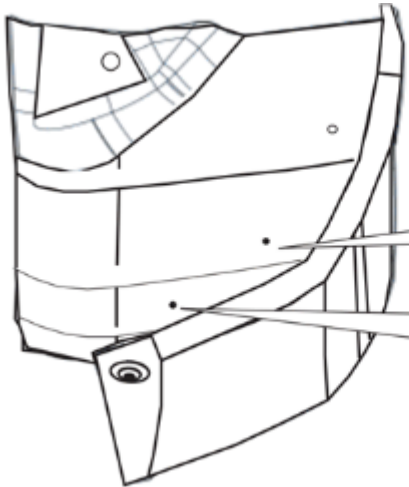
23 C°
73 F°



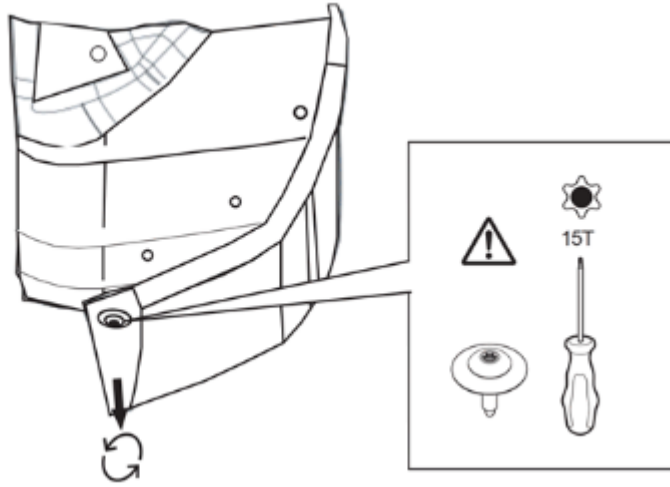
②



③



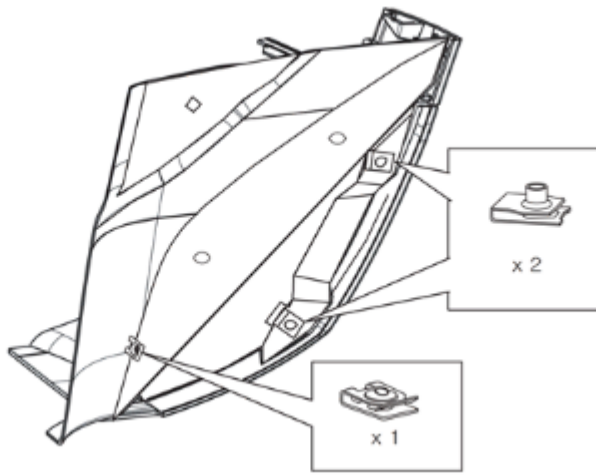
4



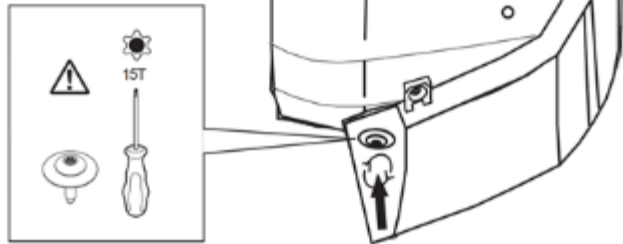
5

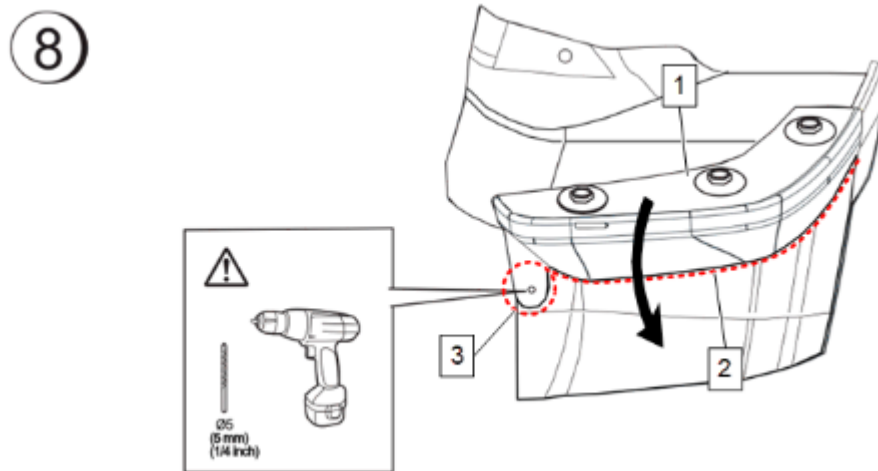
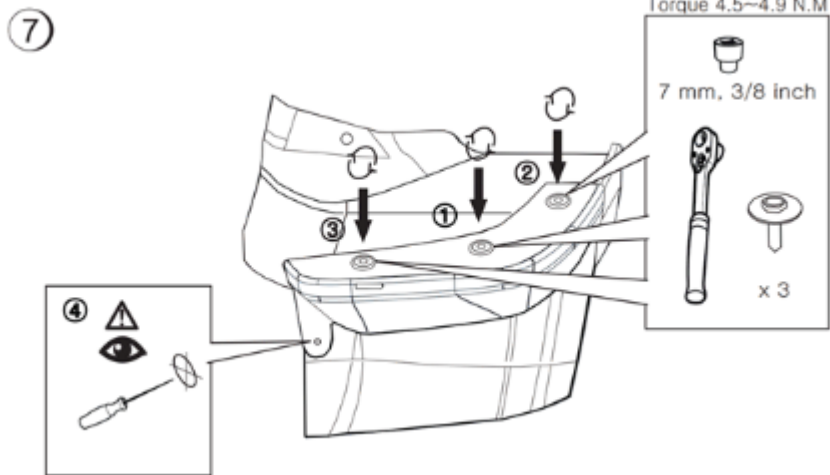


23 °C
73 °F



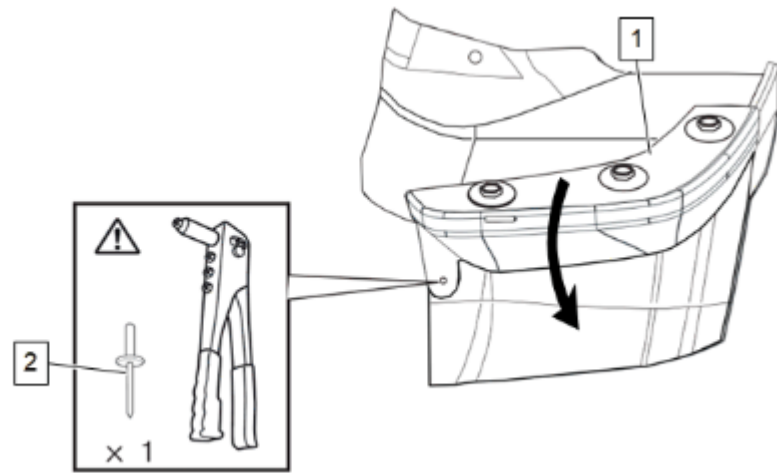
6





- Pull the rear mud guard (1) in the direction of the arrow by hand.
- Be aware that gap (2) between rear mud guard and rear bumper fascia.
- Using a 1/4 inch (5 mm) bit, drill a hole through the rear bumper fascia at the rivet hole location (3) on the rear mud guard.

9



- With the rear mud guard (1) pulled by hand, Install the rivet (2).
- Install the rear tire and wheel assembly. [Tire and Wheel Removal and Installation](#)