

# Body Emblem Package Installation (Black Bow Tie Instruction ID : 42848441)

## [Installation Instructions Part Number](#)

42848441

### Kit Contents

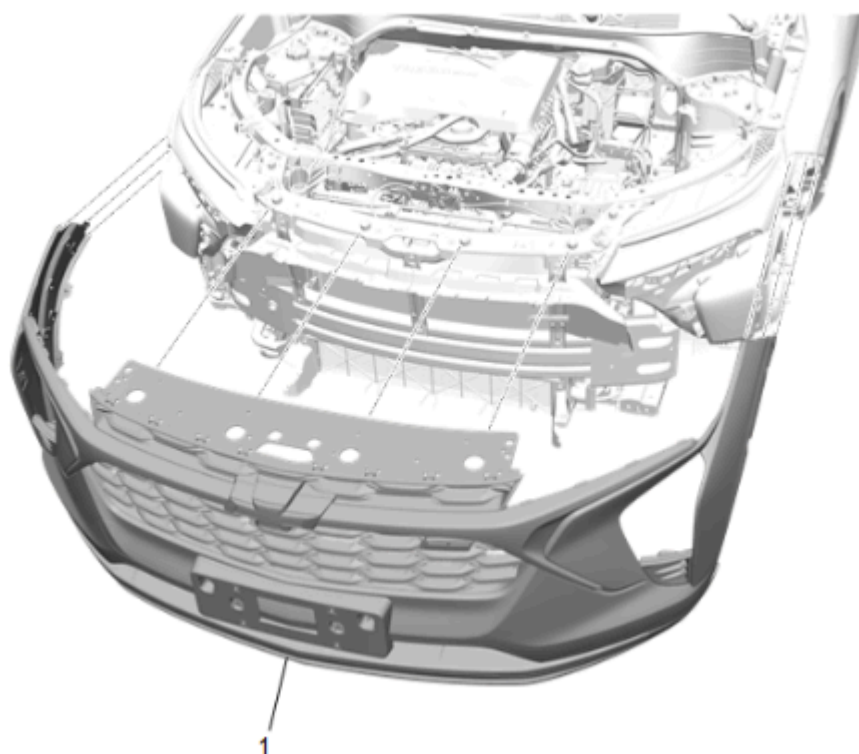
Qty	Description
1	Emblem Assembly Black Bow Tie – Front Grille
1	Emblem Assembly Black Bow tie – Liftgate
1	Installation Instructions

### Tools Required

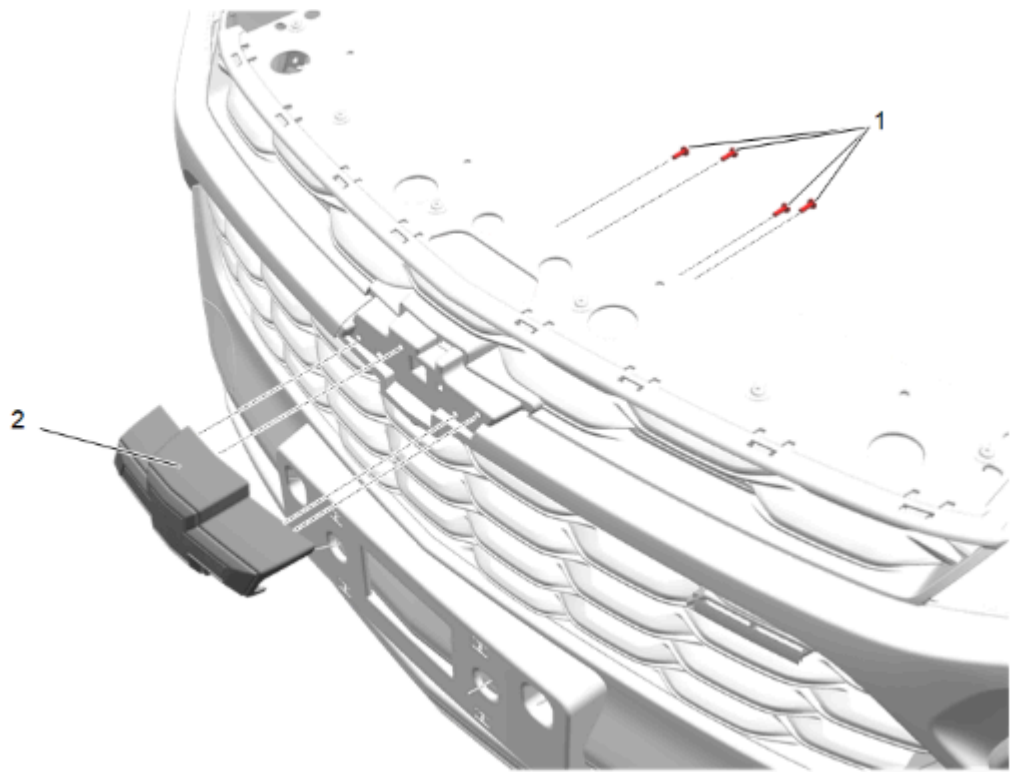
Plastic Flat-Bladed Tool

### [Procedure](#)

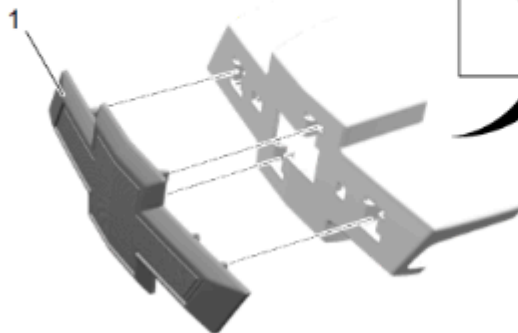
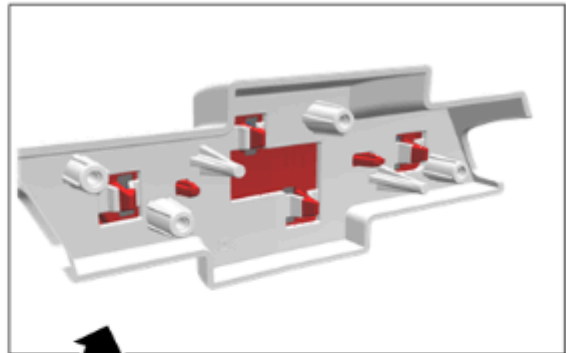
#### Front Bow Tie Emblem Replacement



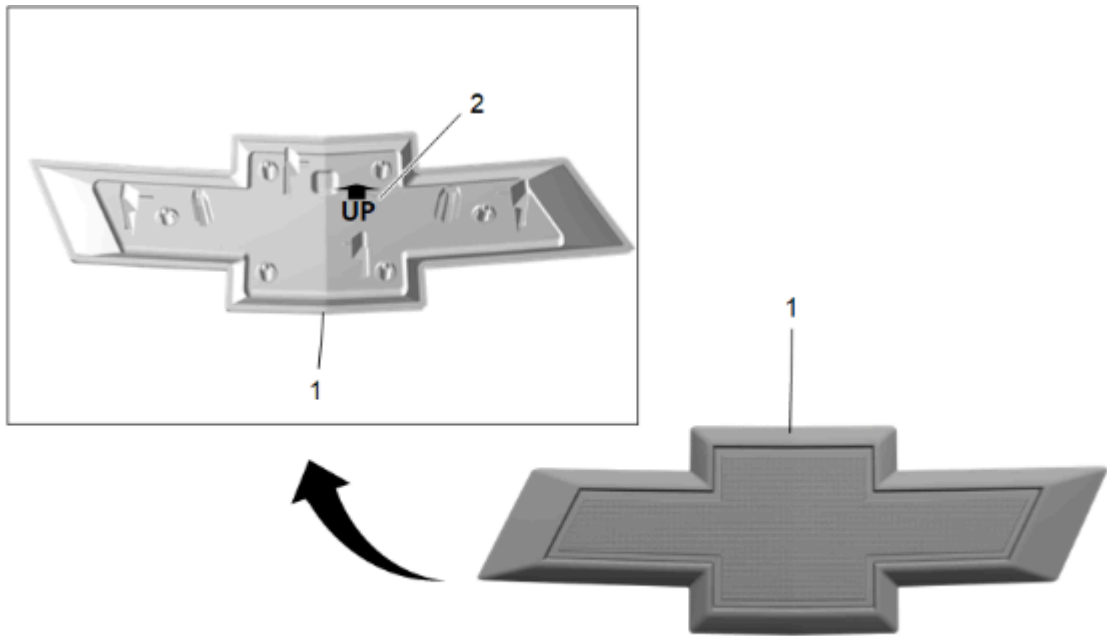
1. Front Bumper Fascia (1) » Remove — [Front Bumper Fascia Removal and Installation](#)



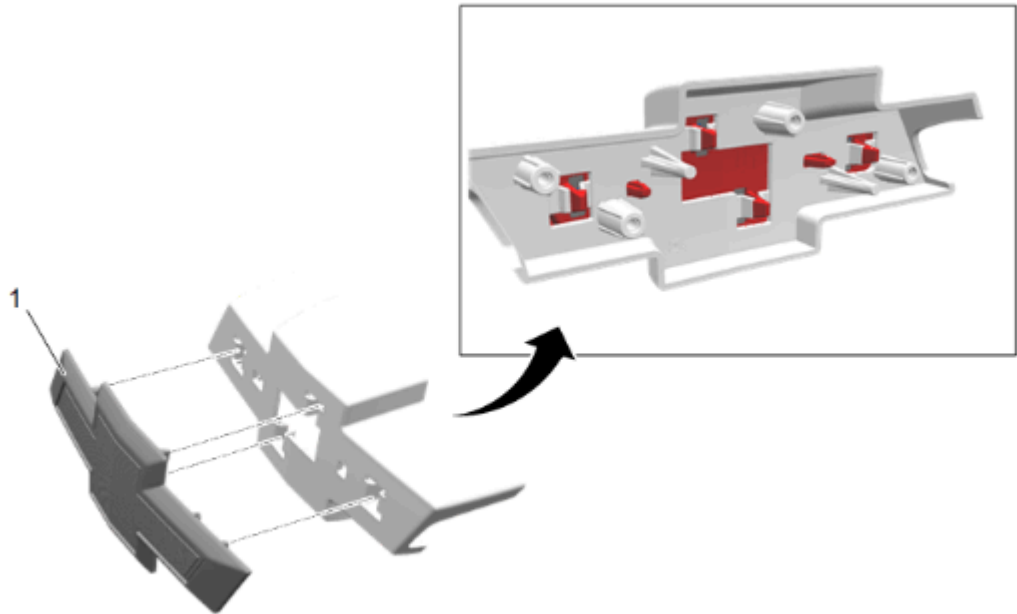
2. Front Grille Bolt (1) » Remove [4x]
3. Front Grille Emblem Adapter (2) » Remove



4. Release the retaining tabs.
5. Bowtie Emblem (1) @ Front Grille Emblem Adapter » Remove

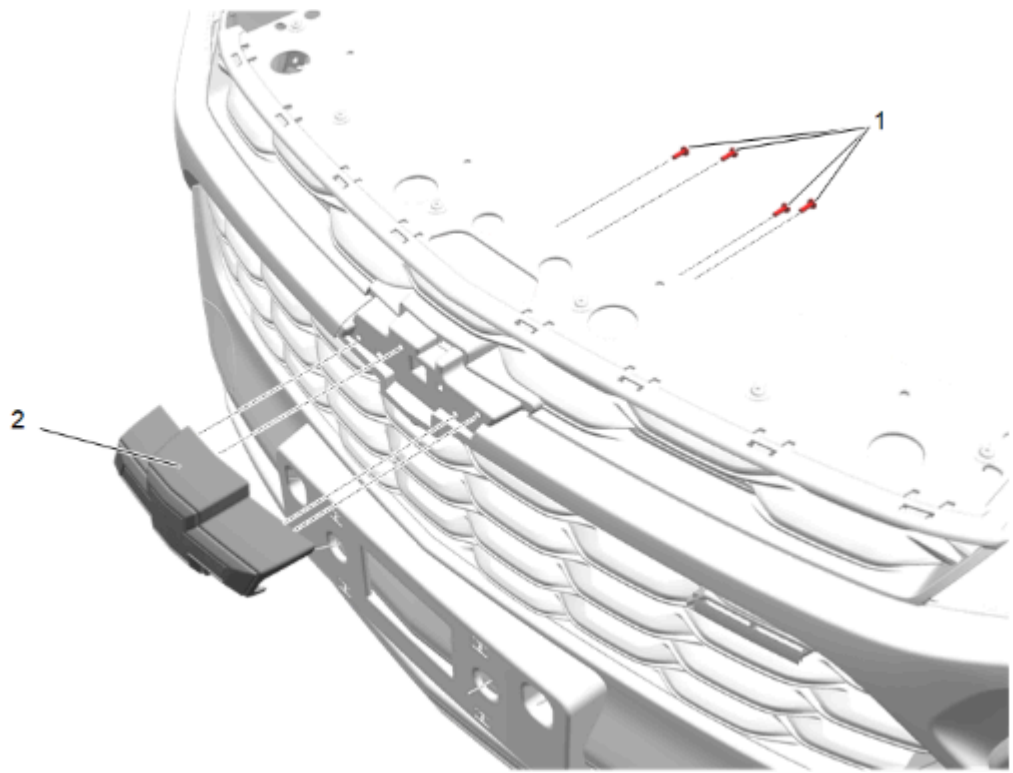


6. Check the "UP" symbol (2) on the new bowtie emblem (1).



7. Bowtie Emblem (1) @ Front Grille Emblem Adapter » Install

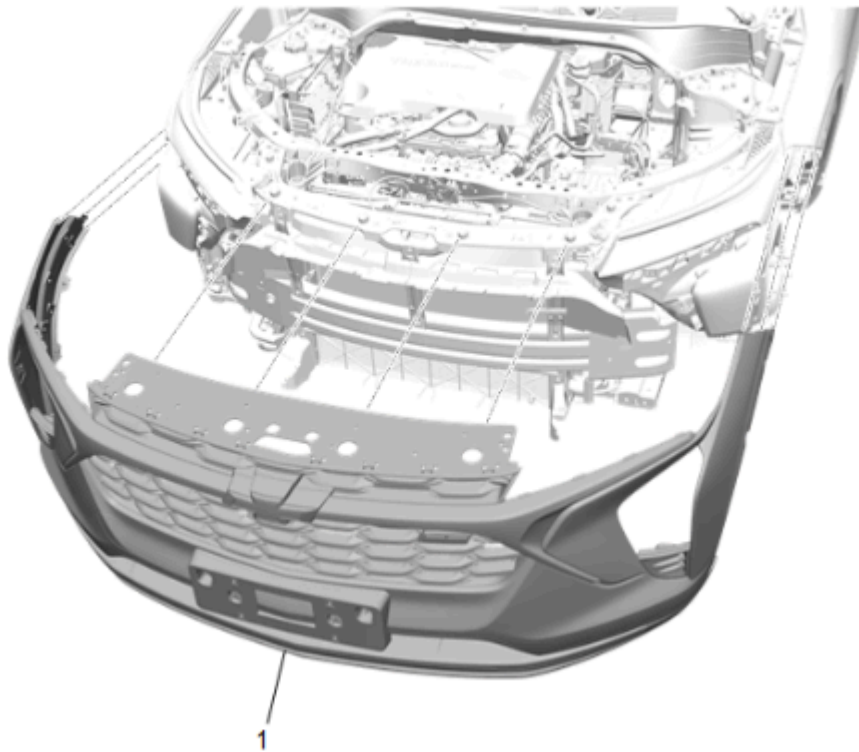
8. Verify that the bowtie emblem is fully seated and securely attached to the grille adapter.



9. Front Grille Emblem Adapter (2) » Install

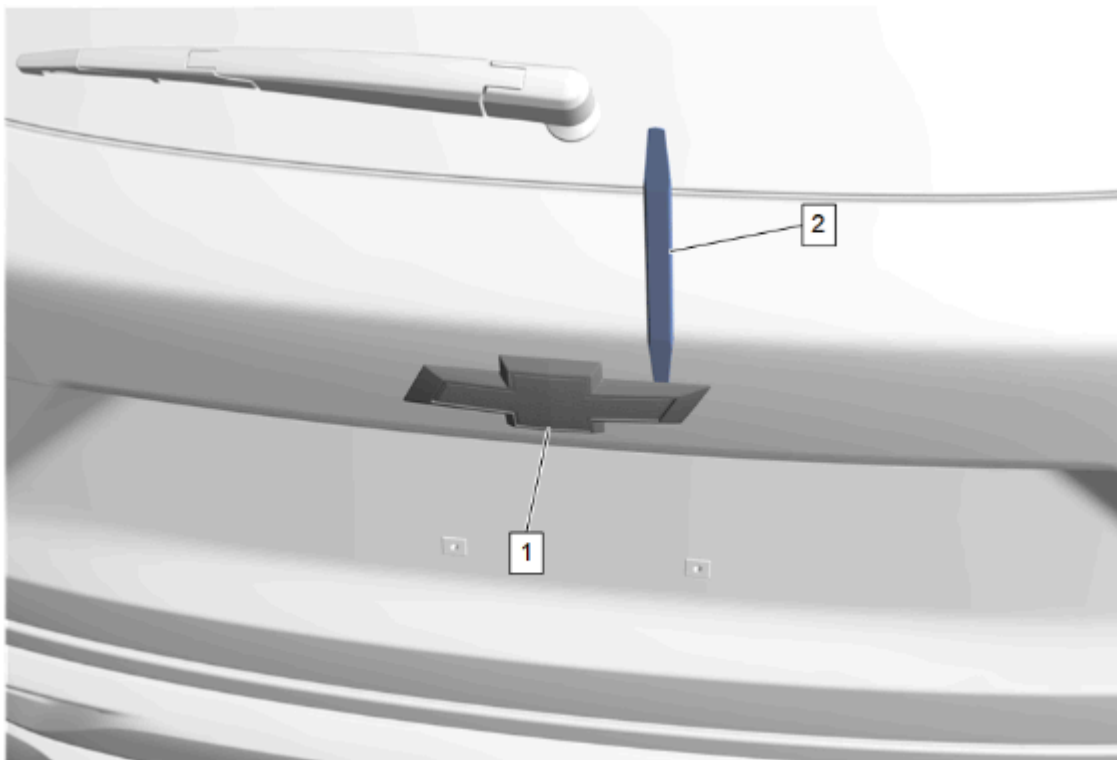
**Caution:** Use the correct fastener in the correct location. Replacement fasteners must be the correct part number for that application. Do not use paints, lubricants, or corrosion inhibitors on fasteners, or fastener joint surfaces, unless specified. These coatings affect fastener torque and joint clamping force and may damage the fastener. Use the correct tightening sequence and specifications when installing fasteners in order to avoid damage to parts and systems. When using fasteners that are threaded directly into plastic, use extreme care not to strip the mating plastic part(s). Use hand tools only, and do not use any kind of impact or power tools. Fastener should be hand tightened, fully seated, and not stripped.

10. Front Grille Bolt (1) » Install and tighten [4x] **1.5 Y (13 lb in)**



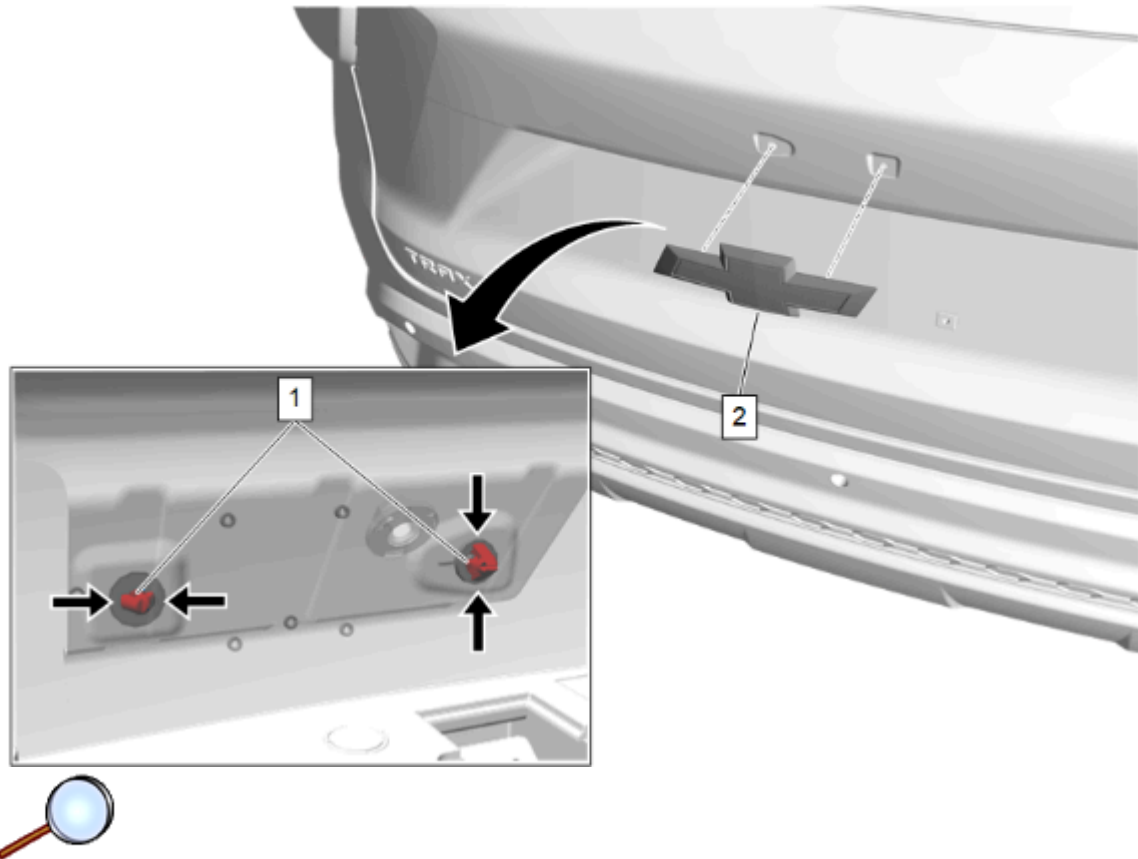
11. Front Bumper Fascia (1) » Install — [Front Bumper Fascia Removal and Installation](#)

### Rear Bow Tie Emblem Replacement



**Caution:** Use a plastic, flat-bladed tool to prevent paint damage when removing an emblem/name plate.

1. Apply two layers of masking tape around the liftgate emblem/nameplate (1) to prevent paint damage.
2. Use a heat gun or equivalent not exceeding 79°C (175°F) to remove the emblem. Use a suitable plastic flat-bladed tool (2) to assist in removal.



**Note:** When removing the retainer, be careful of the direction of the tabs on the retainer.

3. Disengage the retainers (1) and remove the rear bow tie emblem (2) from liftgate.
4. Clean any remaining residue with included solvent wipe or with a 50/50 mixture by volume of isopropyl alcohol and clean drinkable water. Wipe surface dry with a clean lint free towel.
5. The part surface should be 21°C (70°F) prior to installation. The vehicle should remain 21°C (70°F) for one hour after assembly to allow adhesive to develop sufficient bond strength.
6. When removing protective liners from the adhesive tape, be careful not to touch tape with hands and do not allow tape to come in contact with dirt or any foreign matter prior to adhesion.
7. Position new black bow tie emblem (2) engaging the retainers (1).
8. Using the palm of the hand, wet out the emblem to ensure full adhesion is achieved.