

# Luggage Carrier Cross Rail Kit Installation (Instruction ID: 42858647)

## Installation Instructions Part Number

42858647

### Kit Contents

Qty	Description
1	Luggage Carrier Rail – Rear
1	Luggage Carrier Rail – Front
8	M6 Screw
1	8 N.m Torque Wrench
1	Installation Instructions

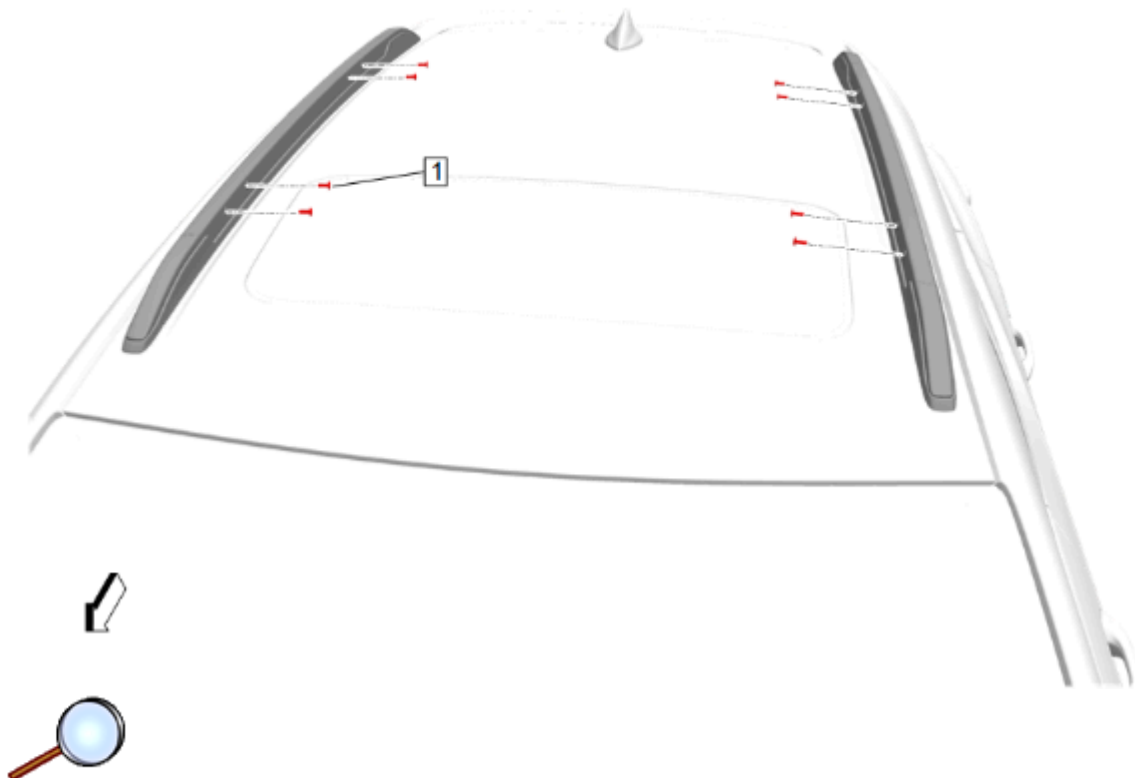
© 2024 General Motors. All rights reserved.

This kit can be installed on Chevrolet siderail assemblies.

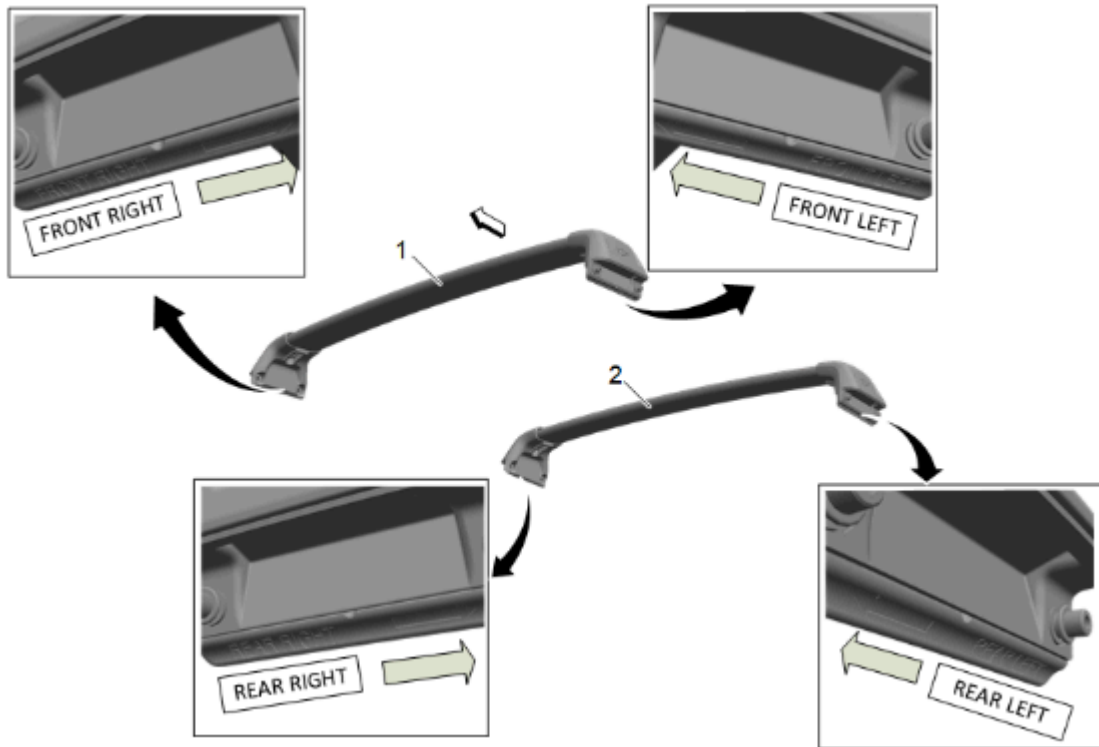
### Rated Recommended Roof Rack Loads

This roof rack allows up to 100 kg (220 lbs) load.

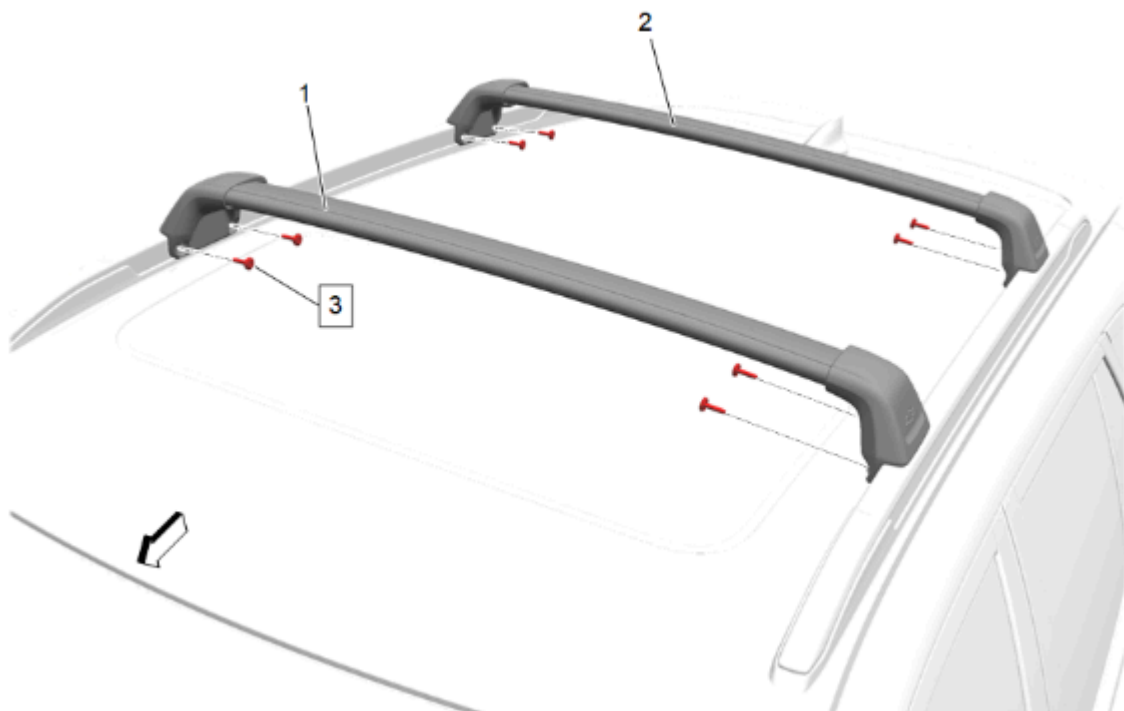
### Procedure



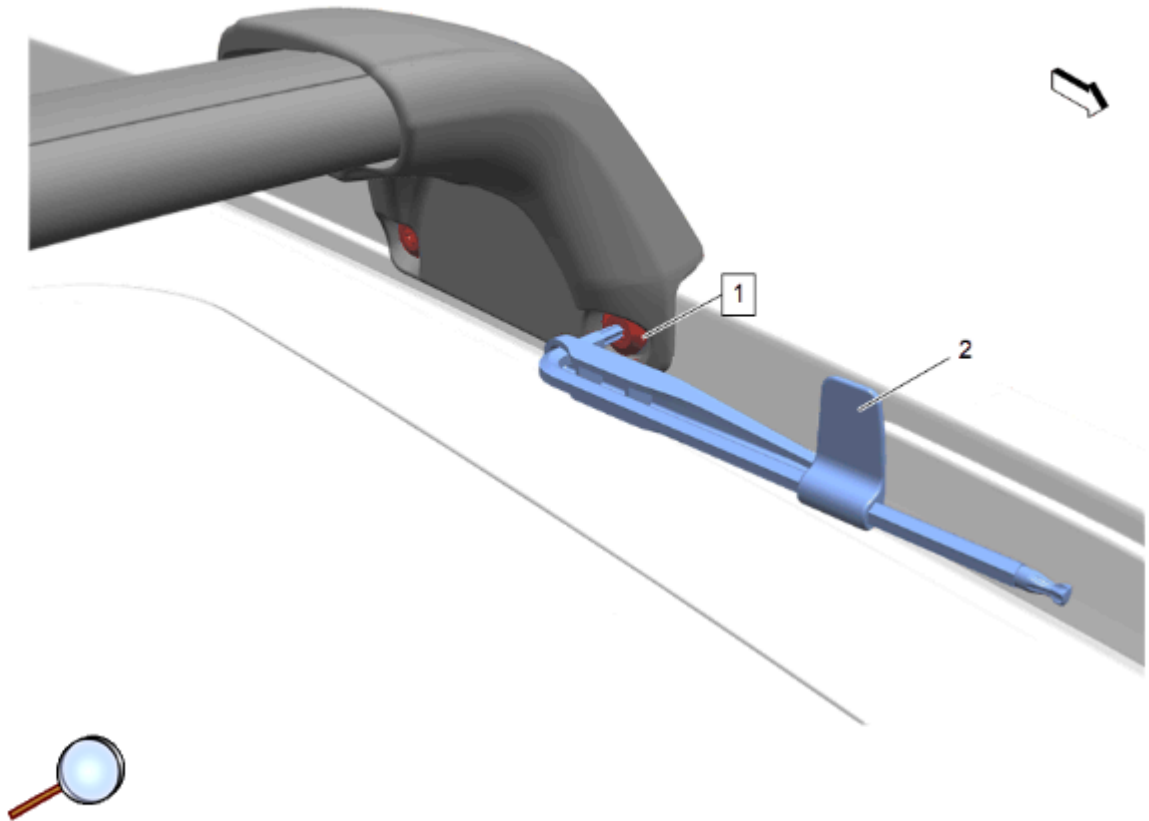
1. Remove the plastic plugs (1) from the side rails (2) and store for future use in the event if the cross rails are removed.



2. Check the front cross rail assembly (1) and the rear cross rail assembly (2) and position them correctly.
3. Check the left and right sides of the cross rail.
4. Install the cross rails to the side rails in the direction of the arrow.

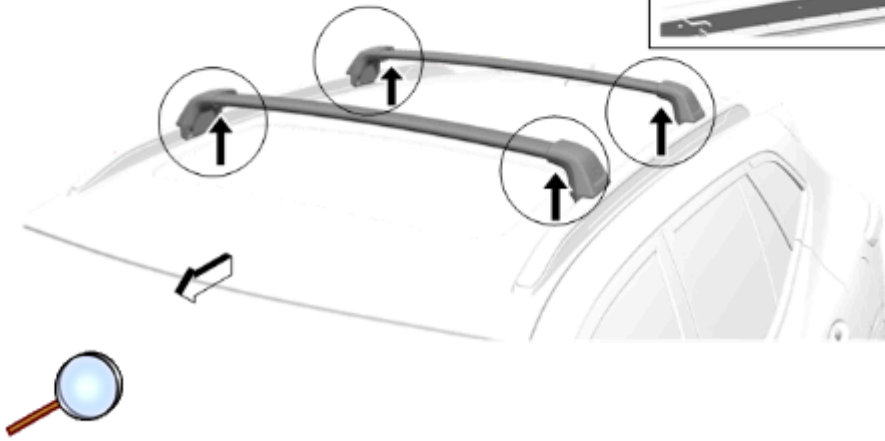
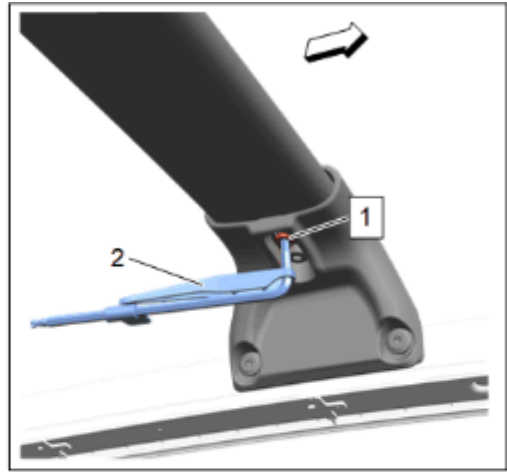


5. Loosely install the 8 cross rail screws (3) to the front (1) and rear (2) cross rails.



**Caution:** Use the correct fastener in the correct location. Replacement fasteners must be the correct part number for that application. Fasteners requiring replacement or fasteners requiring the use of thread locking compound or sealant are identified in the service procedure. Do not use paints, lubricants, or corrosion inhibitors on fasteners or fastener joint surfaces unless specified. These coatings affect fastener torque and joint clamping force and may damage the fastener. Use the correct tightening sequence and specifications when installing fasteners in order to avoid damage to parts and systems.

6. Using the supplied 8 N.m torque wrench (2), tighten the 8 cross rail screws (1).



7. Using the supplied 8 N.m torque wrench (2), tighten the 4 cross rail screws (1).