

# Rocker Panel Molding Ground Lamp Package Installation

## Installation Instructions Part Number

42876537

### Kit Contents

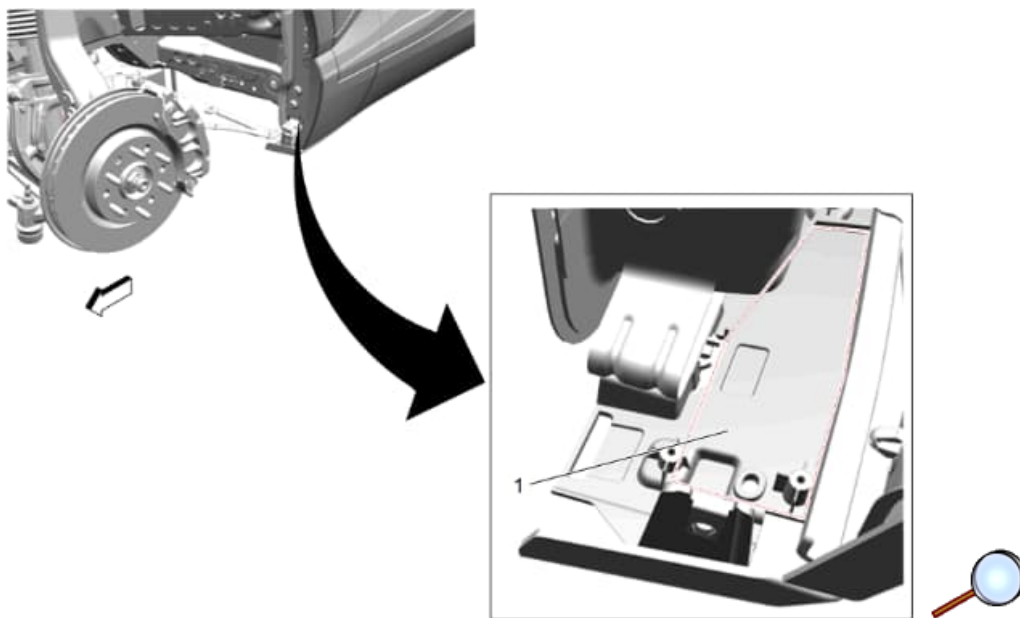
QTY	Description
2	Rocker Moulding Ground Lamp
1	Installation Instructions

### Procedure

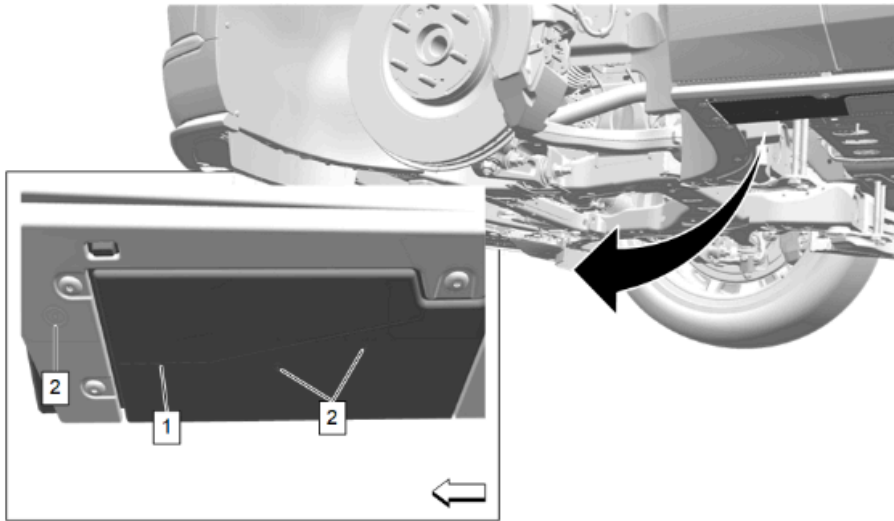
**Note:** Left side lamp installation is shown in the following steps. Right side similar. Marking on the lamps indicate "LH" or "RH".

**Warning:** Always ensure the Battery Maintenance Mode is inactive before disconnecting the low voltage 12 volt battery (or batteries). This mode can be active with the ignition off, regardless of whether the vehicle charging cord is plugged in or not. When this mode is active, the on-board high voltage battery charger(s) will energize the 12 volt battery cables and charge the 12 volt battery (or batteries). Disconnecting any battery cables while this mode is active may result in an electrical shock or a burn from hot battery cable leads.

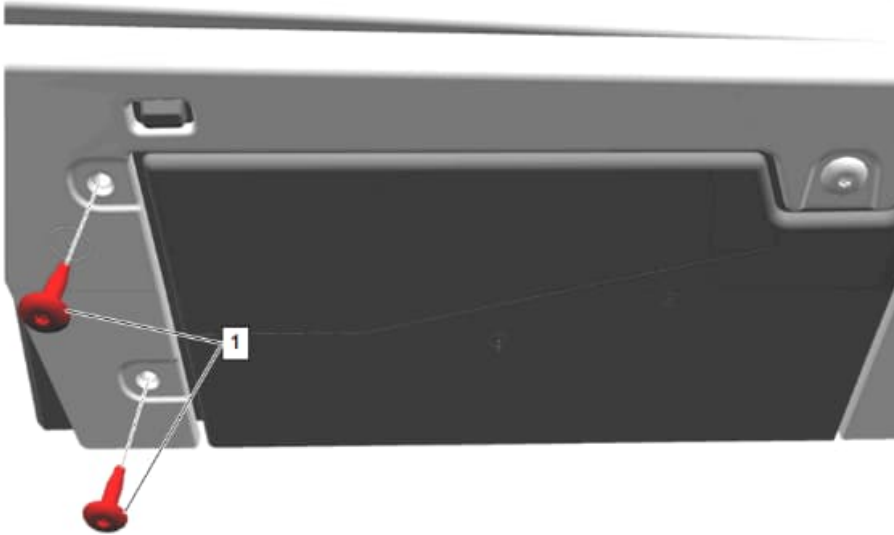
1. Check the 12 volt battery voltage with a digital multimeter before disconnecting any battery cables leads. If the voltage is 13.5 volts or above, the Battery Maintenance Mode is active. The technician must wait for the T18 battery charger to deactivate before disconnecting the battery negative cable. Refer to [Charging System Description and Operation](#) in Vehicle Service Manual.
2. Disconnect the 12 volt negative battery cable. Refer to [Battery Negative Cable Disconnection and Connection](#) in Vehicle Service Manual.
3. Remove the left and right front wheelhouse liners. Refer to [Front Wheelhouse Liner Replacement](#) in Vehicle Service Manual.



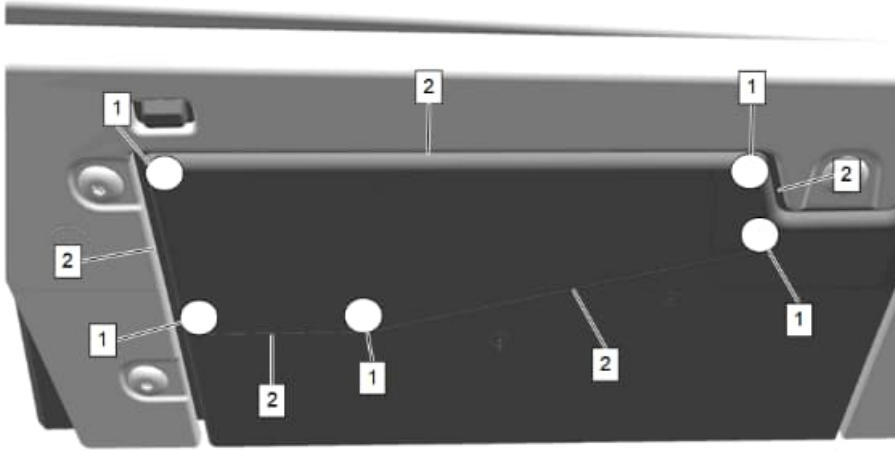
4. Inspect inside the front rocker area (1) for dirt, debris, water, etc. Clean the area in preparation for the next step.



5. Observe the scribe line patterns underneath front section of the rocker molding behind the front wheel house. Mark contour scribe lines (1) and hole centers (2) with a bright paint pen before proceeding to the next step.

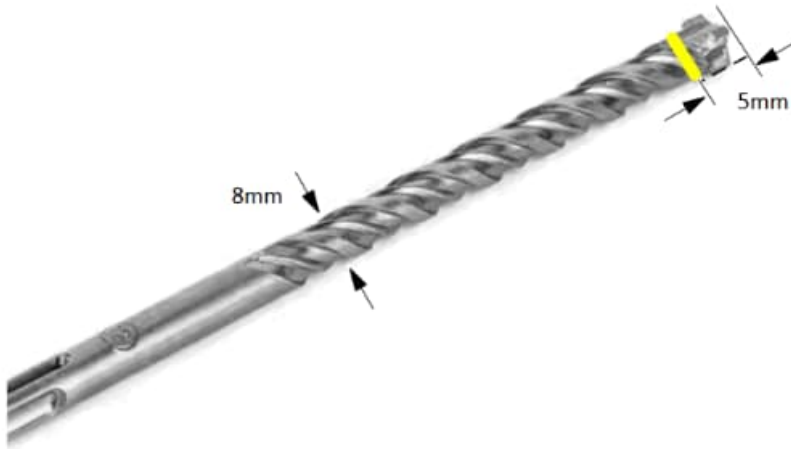


6. Remove the Rocker Molding Screw(1), [2X]

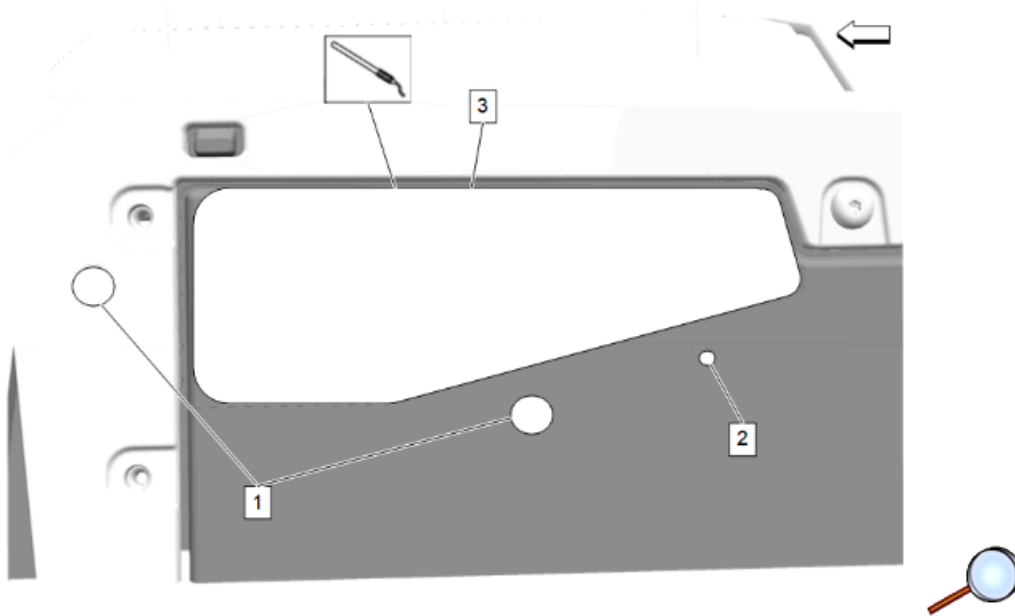


**Caution:** Always check size and position of all holes before drilling. Failing to do so may cause damage to the vehicle, misalignment of components or the inability to install the accessory.

7. Using a 5mm (13/64") drill bit, drill holes (1) in the corners on the inside of scribed line (2).
8. Using a 7/8" (20mm) suitable rotary tool or reciprocating saw, cut opening along the marked contour scribe line (2) as close as possible (No more than 1mm outside the line). Adjust the cutting speed to avoid melting the plastic along the cutting edges. Burrs must be removed before continuing to next step.

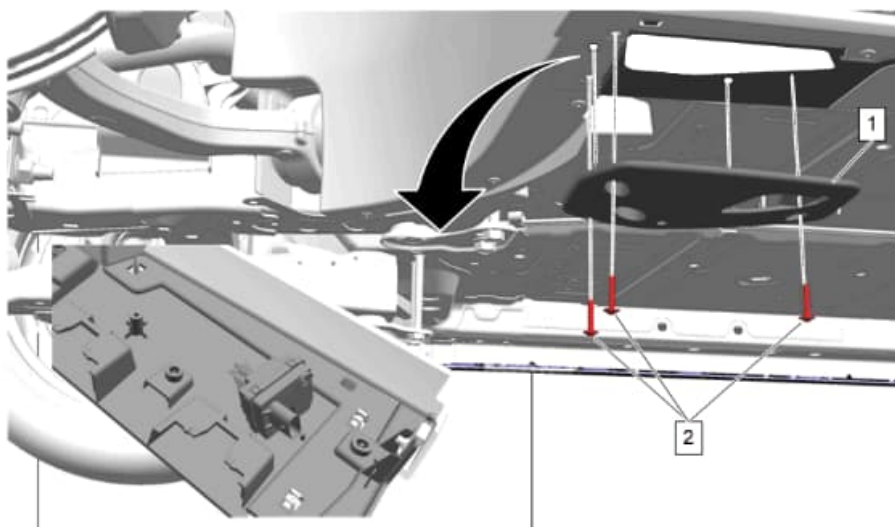


9. This step requires the use of an 8mm drill bit. If power tool is without a drill depth adjustment tool, Mark the 8mm drill bit with a yellow or white paint pen, 5mm from the tip of the drill bit.



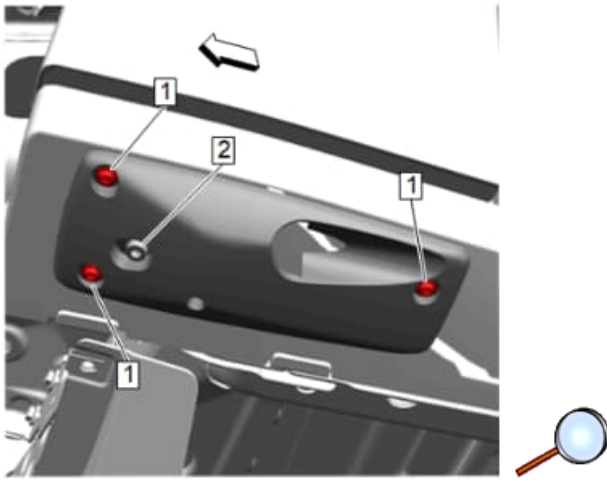
**Caution:** Do NOT exceed 5mm entry from the tip of the drill bit.

10. Using the 8mm drill bit at the previously adjusted/marked 5mm depth, gently drill all scribe line circles (1) at the maximum depth of 5mm.
11. Using the 2mm drill bit at the previously adjusted/marked 1mm depth, gently drill all scribe line circles (2) at the maximum depth of 1mm.
12. Using a suitable tool, deburr the cut-out (3).



**Note:** Assembly marked "LH" (Drivers Side) or "RH" (Passenger Side).

13. Identify the lamp assembly (1) for each side by checking markings on the lamp body.
14. Observe the two cross line-up features on the lamp assembly (1). Lift the lamp assembly up into the rocker opening inserting the cross line-up features into the corresponding holes inside the rocker panel.
15. While holding the lamp assembly in place, insert and engage the threads of the self tapping screws (2). Ensure assembly is seated all around.



**Caution:** Use the correct fastener in the correct location. Replacement fasteners must be the correct part number for that application. Fasteners requiring replacement or fasteners requiring the use of thread locking compound or sealant are identified in the service procedure. Do not use paints, lubricants, or corrosion inhibitors on fasteners or fastener joint surfaces unless specified. These coatings affect fastener torque and joint clamping force and may damage the fastener. Use the correct tightening sequence and specifications when installing fasteners in order to avoid damage to parts and systems.

**Note:** Do not torque lamp adjustment screw (2). This screw is used to adjust image in final step.

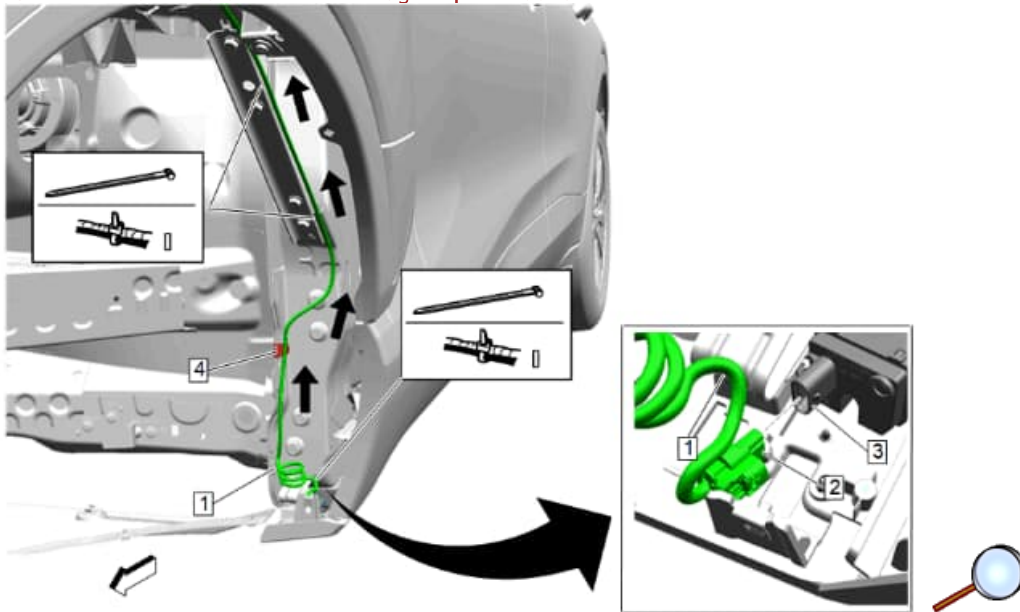
16. While holding lamp assembly tighten the self tapping screws (1) to no more than **1.5N•m (13 lb in)**.

17. Repeat steps 4 through 14 for opposite side.

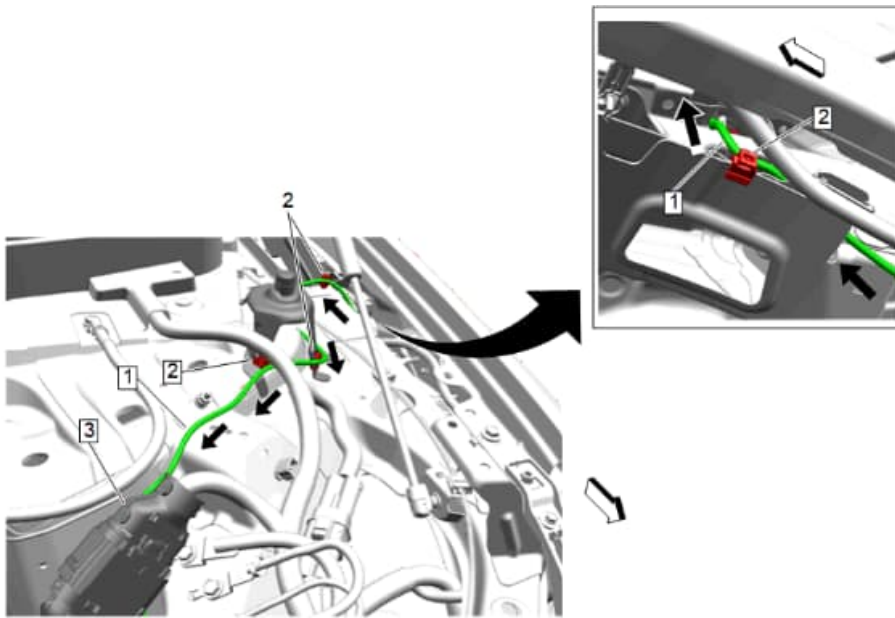
### Electrical Wiring Harness Installation Procedure

#### Driver Side Lamp Harness

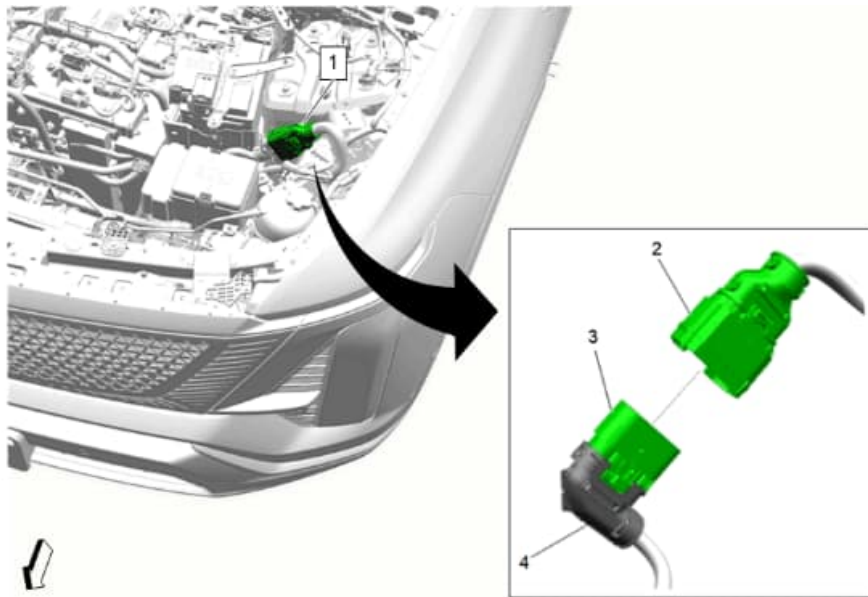
**Note:** There are two different size edge clips included in the kit.



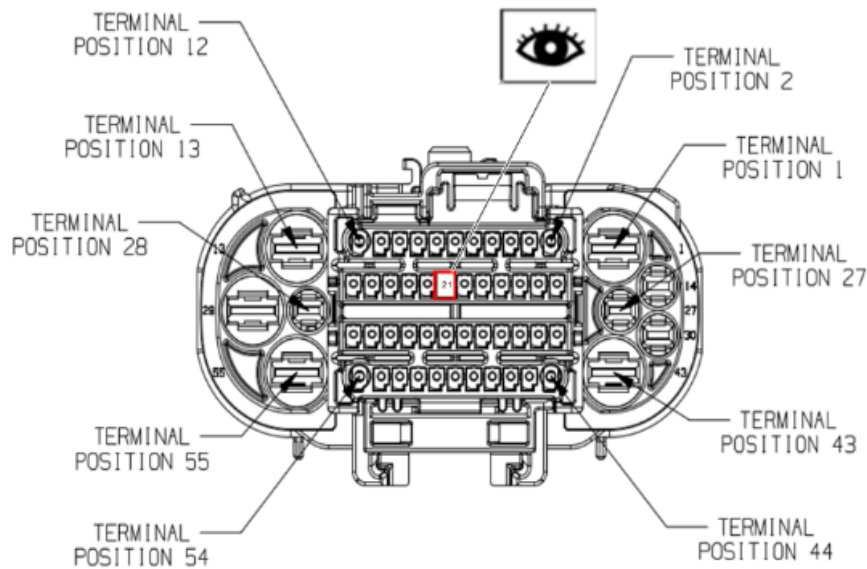
1. Connect the harness connector (2) to the rocker lamp (3). Route the rocker lamp wiring harness (1) up through the wheel well into the front compartment as shown. Notch sealant in wheel well area as needed to install edge clips.
2. Install a large size edge clip (4) in the location shown.
3. Use the included tie straps to secure the wiring harness as shown. Trim excess off tie straps.



4. Continue to route the wiring harness (1) from the wheel well area over the rail into the engine bay towards body wiring harness to engine wiring harness connector X140F (3).
5. Install the small size edge clips (2) in the locations shown.



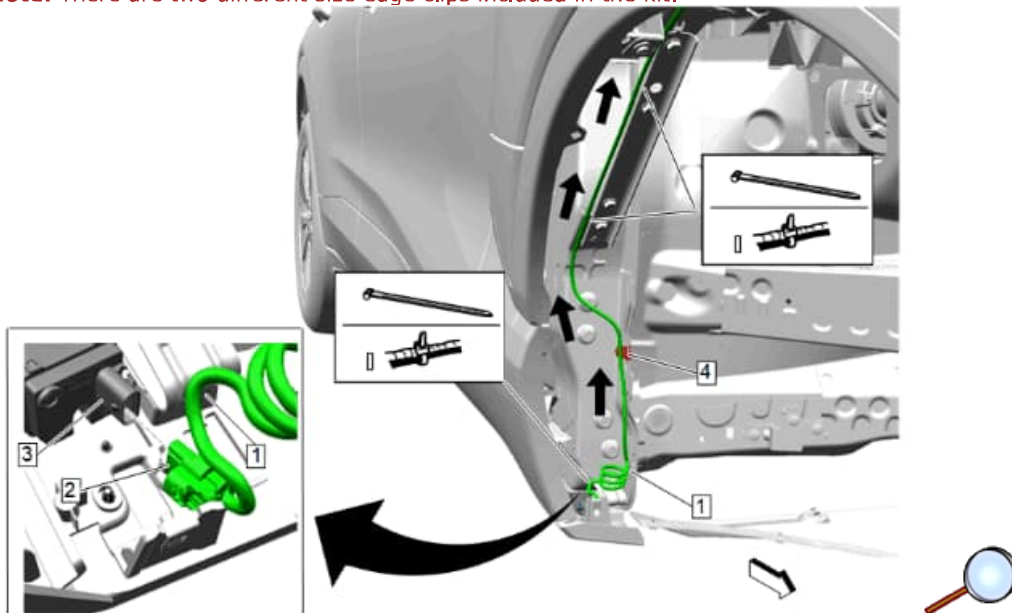
6. Locate connector X140L body wiring harness to engine wiring harness (1) and disconnect the connector from the retention clip.
7. Disconnect X140L body harness connector (2) from the engine harness connector (3). Refer to [Inline Harness Connector End Views](#) in Vehicle Service Manual for connector disconnection.
8. Remove the dress cover (4) from the engine wiring harness connector (3).



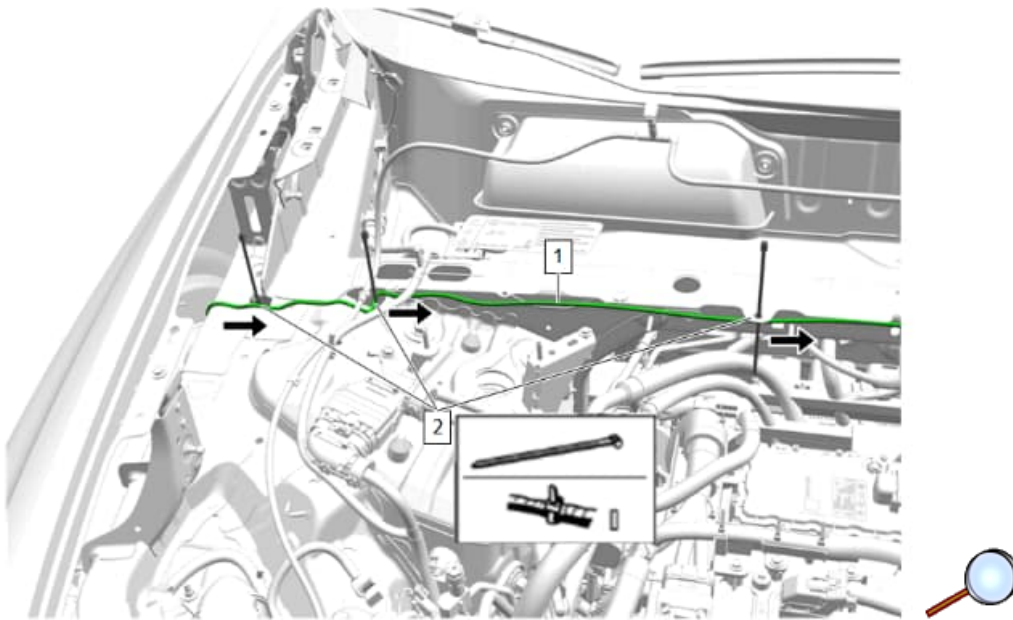
- Remove connector TPA from engine harness connector X140L, disengage connector lock and remove cavity plugs from cavity 21 on the engine harness connector. Refer to [Inline Harness Connector End Views](#) in Vehicle Service Manual for connector disconnection and disassembly.
- Insert terminal from rocker lamp harness in to cavity 21 of engine harness connector X140L, make sure terminal is inserted fully.

#### Passenger Side Lamp Harness

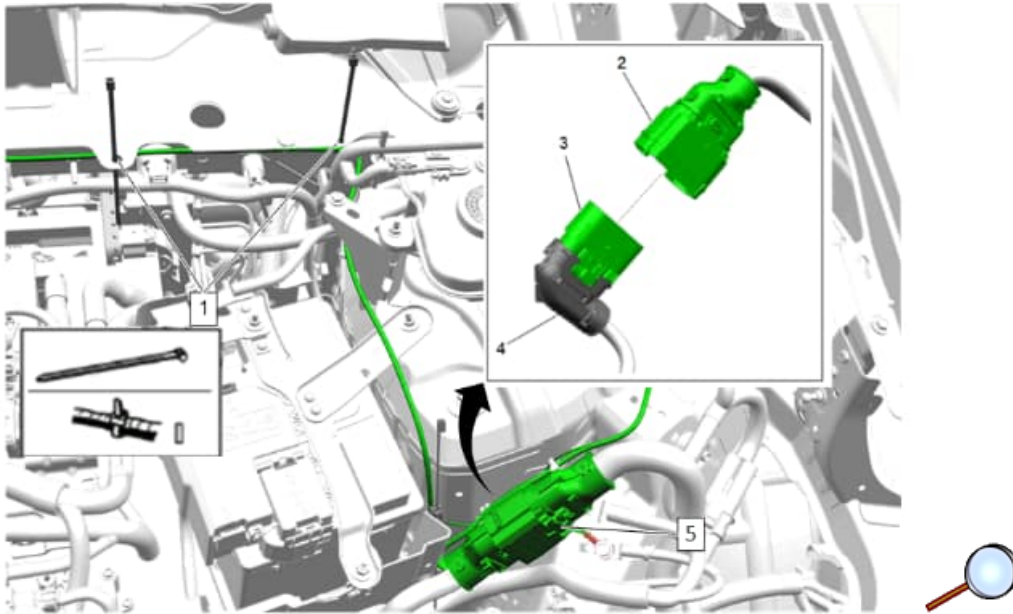
**Note:** There are two different size edge clips included in the kit.



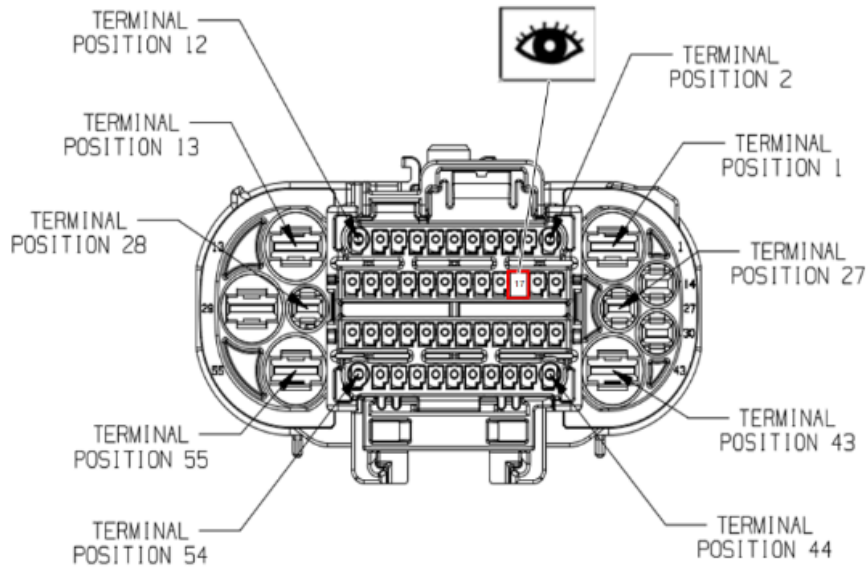
- Connect the harness connector (2) to the rocker lamp (3). Route the rocker lamp wiring harness (1) up through the wheel well into the front compartment as shown. Notch sealant in wheel well area as needed to install edge clips.
- Install a large size edge clip (4) in the location shown.
- Use the included tie straps to secure the wiring harness as shown. Trim excess off tie straps.



4. Continue to route the wiring harness (1)
5. Use the included tie straps to secure the wiring harness as shown (2). Trim excess off tie straps.



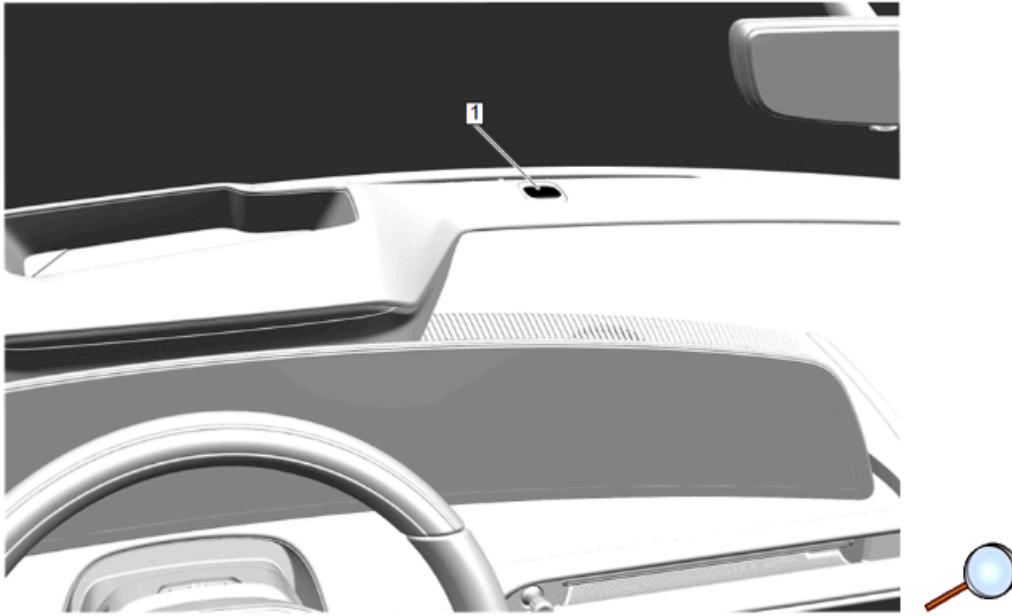
6. Use the included tie straps to secure the wiring harness as shown (1). Trim excess off tie straps.
7. Locate connector X140L body wiring harness to engine wiring harness (5) and disconnect the connector from the retention clip.
8. Disconnect X140L body harness connector (2) from the engine harness connector (3). Refer to [Inline Harness Connector End Views](#) in Vehicle Service Manual for connector disconnection.
9. Remove the dress cover (4) from the engine wiring harness connector (3).



10. Remove connector TPA from engine harness connector X140L, disengage connector lock and remove cavity plugs from cavity 17 on the engine harness connector. Refer to [Inline Harness Connector End Views](#) in Vehicle Service Manual for connector disconnection and disassembly.
11. Insert terminal from rocker lamp harness in to cavity 17 of engine harness connector X140L, make sure terminal is inserted fully.
12. Replace connector TPA, engage connector lock, install dress cover, reconnect inline connector and reinstall connector onto clip/retention point.



13. Remove the bolt (3) and attach the ground ring terminal (2) to the existing ground terminal (1). Reinstall bolt and tighten to **9 N·m (80 lb in)**.
14. Using the provided splice clips to connect the ground wires for the left and right rocker lamp.
15. Secure rocker lamp harness with provided tie straps at area shown. Trim excess off tie straps.
16. Install the left and right front wheelhouse liners. Refer to [Front Wheelhouse Liner Replacement](#) in Vehicle Service Manual.
17. Connect the 12 volt negative battery cable. Refer to [Battery Negative Cable Disconnection and Connection](#) in Vehicle Service Manual.

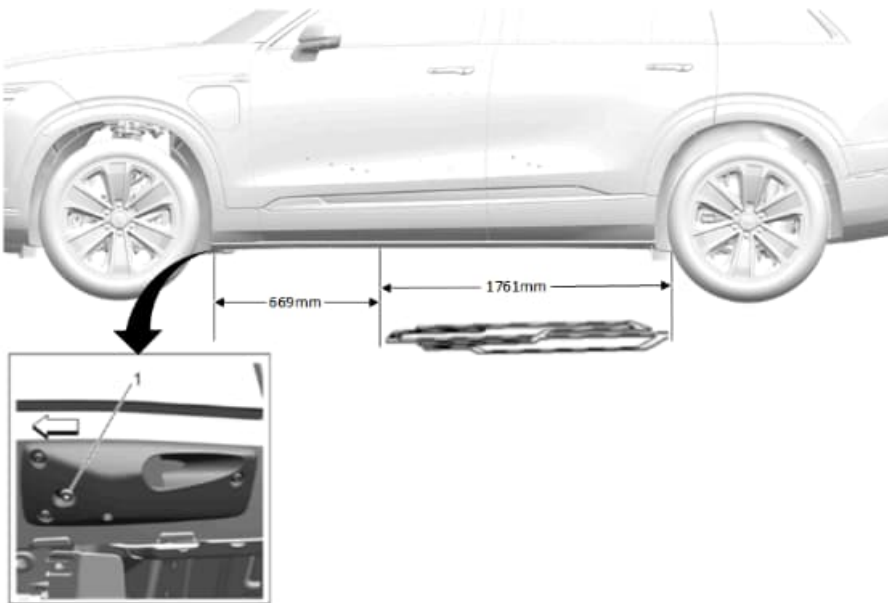


**Note:** Make sure to cover the light sensor (1) and check that the illumination is turned on in the vehicle controls setting of the radio.

18. Lock and unlock doors by using the key fob to activate the rocker panel exterior illumination image.

#### Image Projection Verification and Adjustment

© 2025 General Motors. All rights reserved.



Lock and unlock doors by using the key fob to activate the rocker panel exterior illumination image. If the image dimensions on ground is not as shown, slightly turn the adjustment screw (1) with an Alan Key #4 until dimensions are met for optimum image clarity. Do not apply excessive force.