

Body Emblem Package Installation

[Installation Instructions Part Number](#)

84023565

Kit Contents

Qty	Description
1	Emblem – "CORVETTE"
1	Template
1	Installation Instructions

Before you start

Note: For the nameplate to adhere best, the vehicle's mating surface (doors, rear compartment, etc.) should be free of damage (dents, scratches, creases, fractures, etc.).

Caution: Do not use heat gun/hair dryer or apply excessive heat to the emblem/nameplate as this may damage the paint and surrounding panel surfaces during removal.

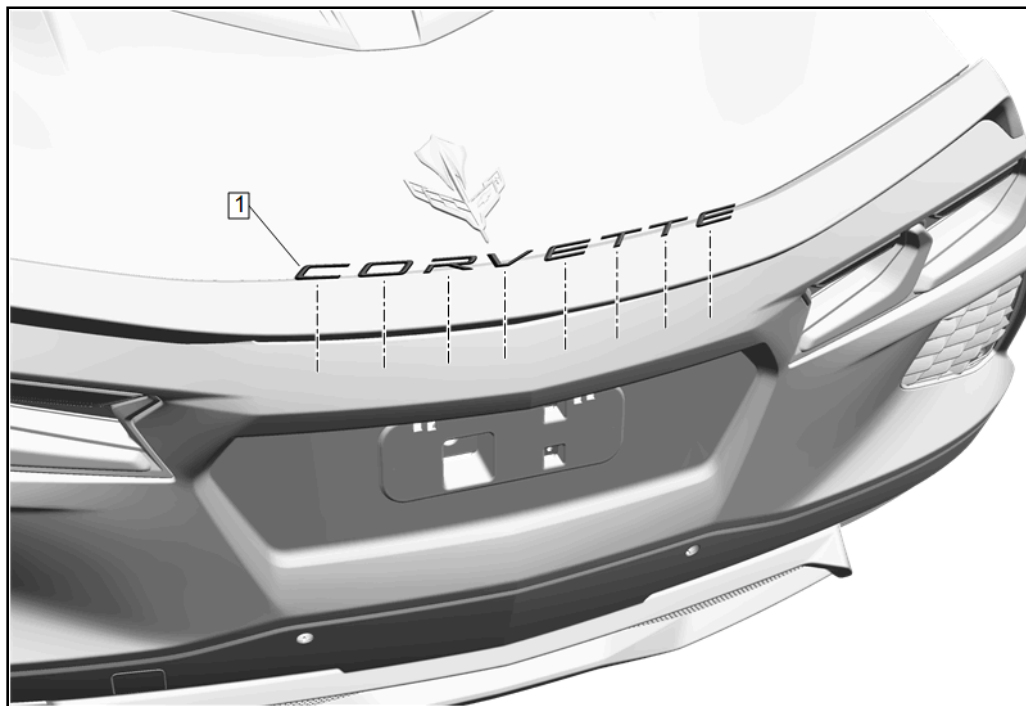
Caution: Use a plastic, flat-bladed tool to prevent paint damage when removing an emblem/nameplate. Do not use fishing line to remove nameplate as this may worsen the tape residue cleaning process. Use Isopropyl Alcohol and Lint Free Cloth to remove tape residue. Heavy foam/adhesive residue remaining on the painted surface can be removed using 3M's Scotch-Brite™ Molding Adhesive and Stripe Removal 4-inch Foam Disc.

Caution: Only install nameplates as a direct replacement of the existing vehicle content.

1. The part and surface should be 21°C (70°F) prior to installation. The vehicle should remain 21°C (70°F) for one hour after assembly to allow adhesive to develop sufficient bond strength.
2. Wash the vehicle mating surfaces with a non-petroleum based cleaning product. If a stronger cleaner is required to remove any contaminates, use 3M general purpose Adhesive Cleaner (P/N 08984). Then, thoroughly dry with a soft clean cloth.

[Procedure](#)

Remove Existing Emblem



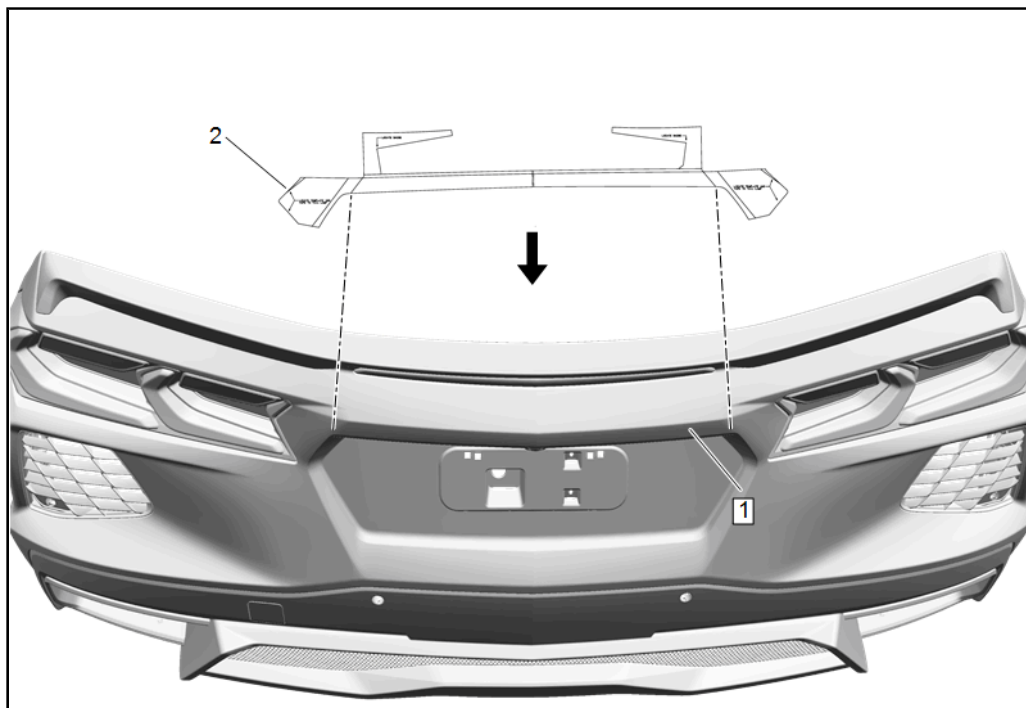
Caution: Use a plastic, flat-bladed tool to prevent paint damage when removing an emblem/name plate.

Note: Use caution during the steps to avoid marring or scratching the class "A" paint finish.

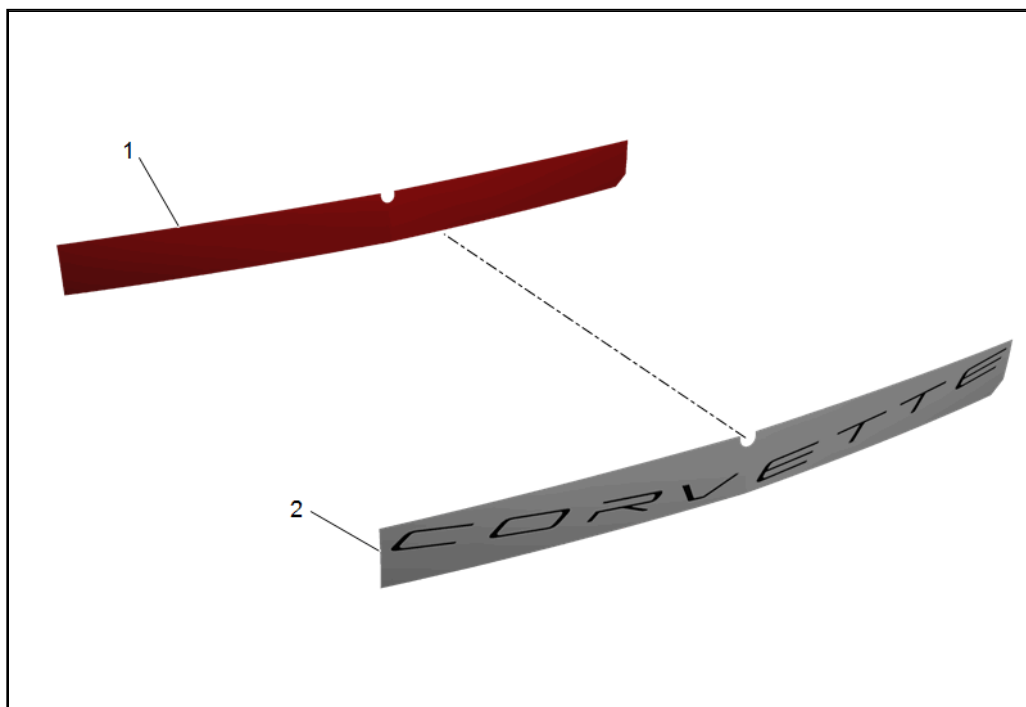
1. Pry the emblem/nameplate (1) off the vehicle body using a plastic squeegee.
2. Light adhesive residue remaining on the paint surface can be removed using 3M's General Purpose Adhesive Cleaner, or isopropyl alcohol, and a soft clean cloth.

Install New Emblem

1. The paint surface must be clean and dry before installation of a new emblem/nameplate.

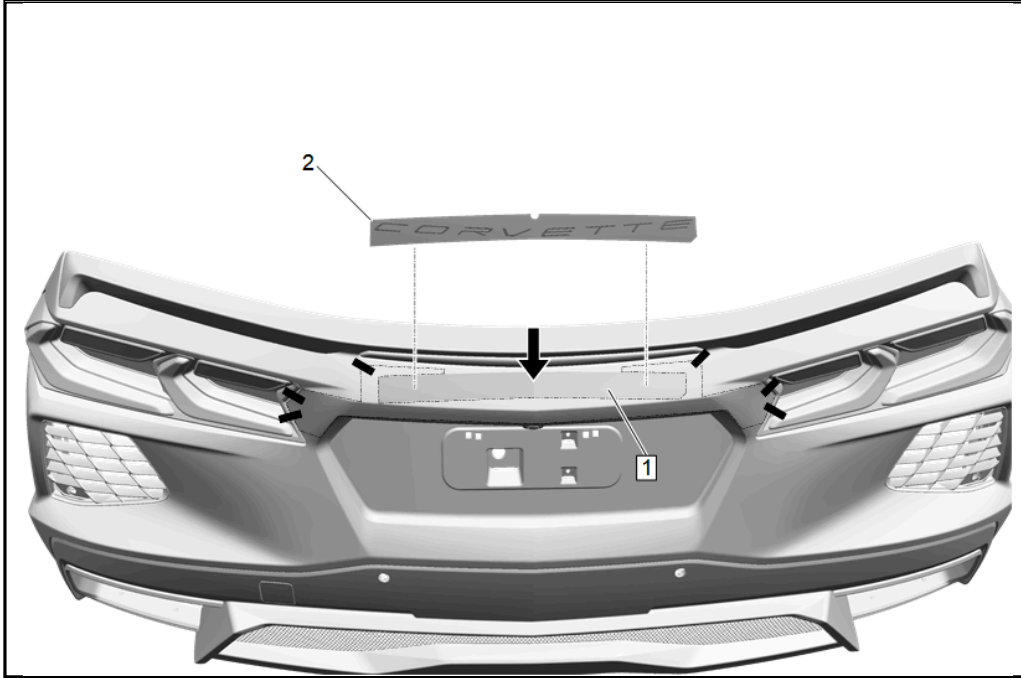


2. Cut out, position and tape supplied template (2) to the rear bumper fascia (1) as instructed on template.



Note: When removing protective liners from the adhesive tape, be careful not to touch tape with hands and do not allow tape to come in contact with dirt or foreign matter prior to adhesion.

3. Remove the protective tape liner (1) from the foam carrier on back of emblem (2), make sure foam carrier and emblem stays attached to face liner.

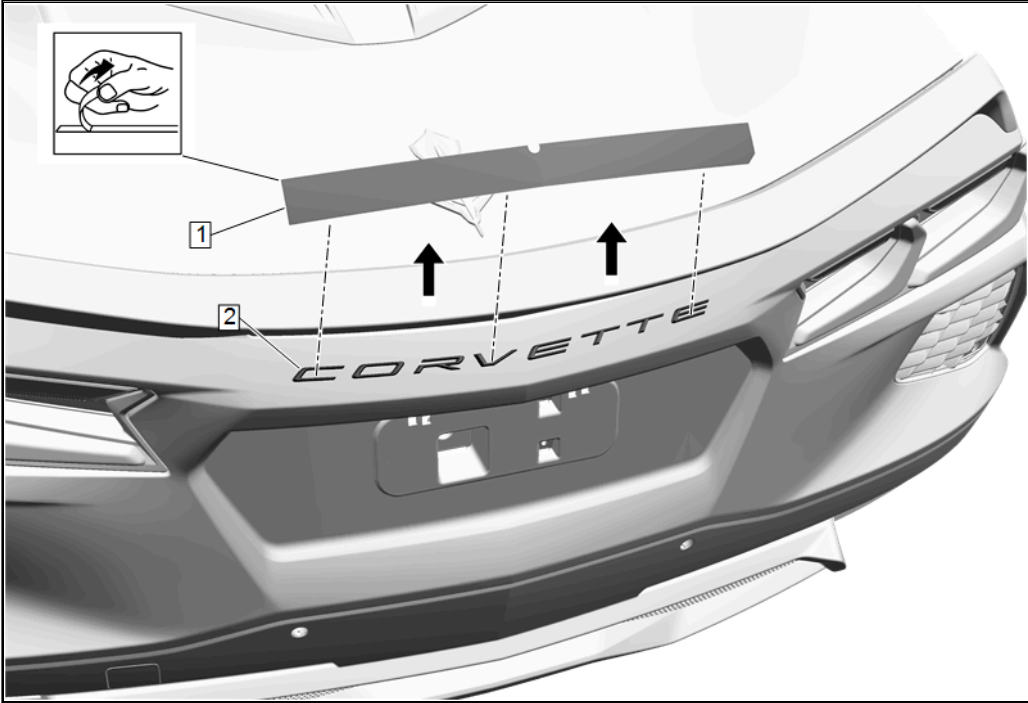


4. Position the emblem (2) with face liner and foam carrier to the rear bumper fascia (1) as instructed on template.



5. Once emblem (1) is in position, use the palm of hand or applicable roller with approximately 10 lbs of pressure, wet out the emblem to the rear bumper fascia to ensure full adhesion of emblem is made.

6. Remove the template from rear bumper fascia.



7. Carefully remove the face liner and foam carrier (1) from the emblem (2).