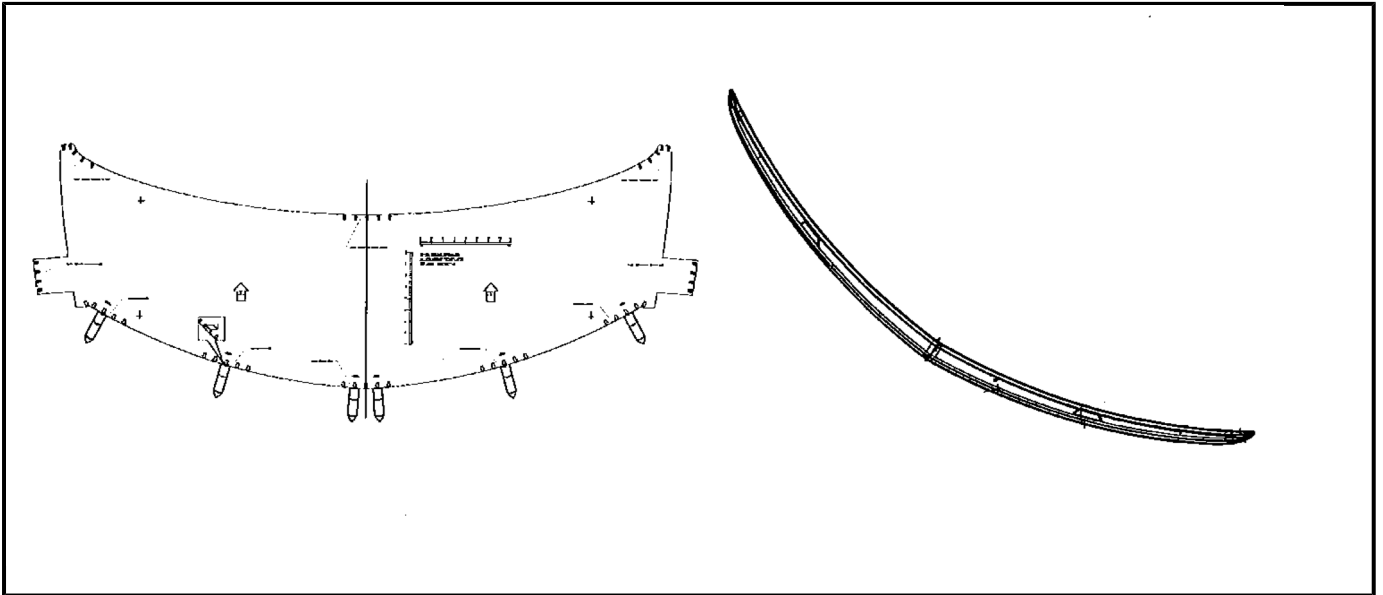


## Installation Instructions Part Number

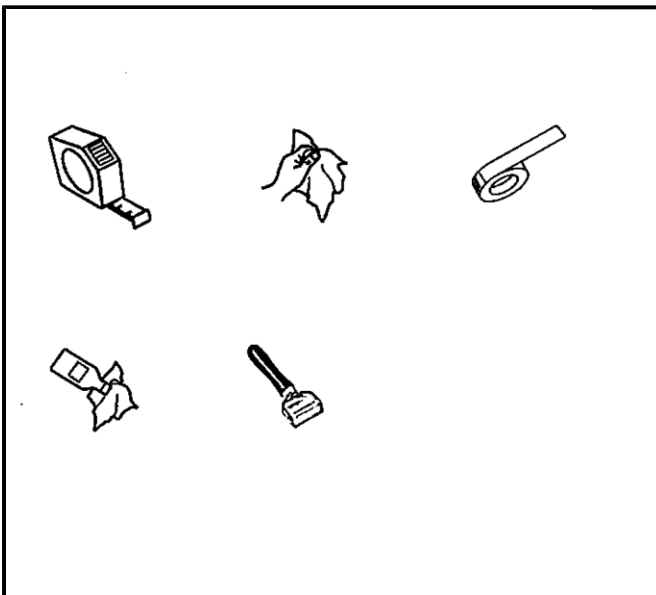
84079579

## Kit Contents



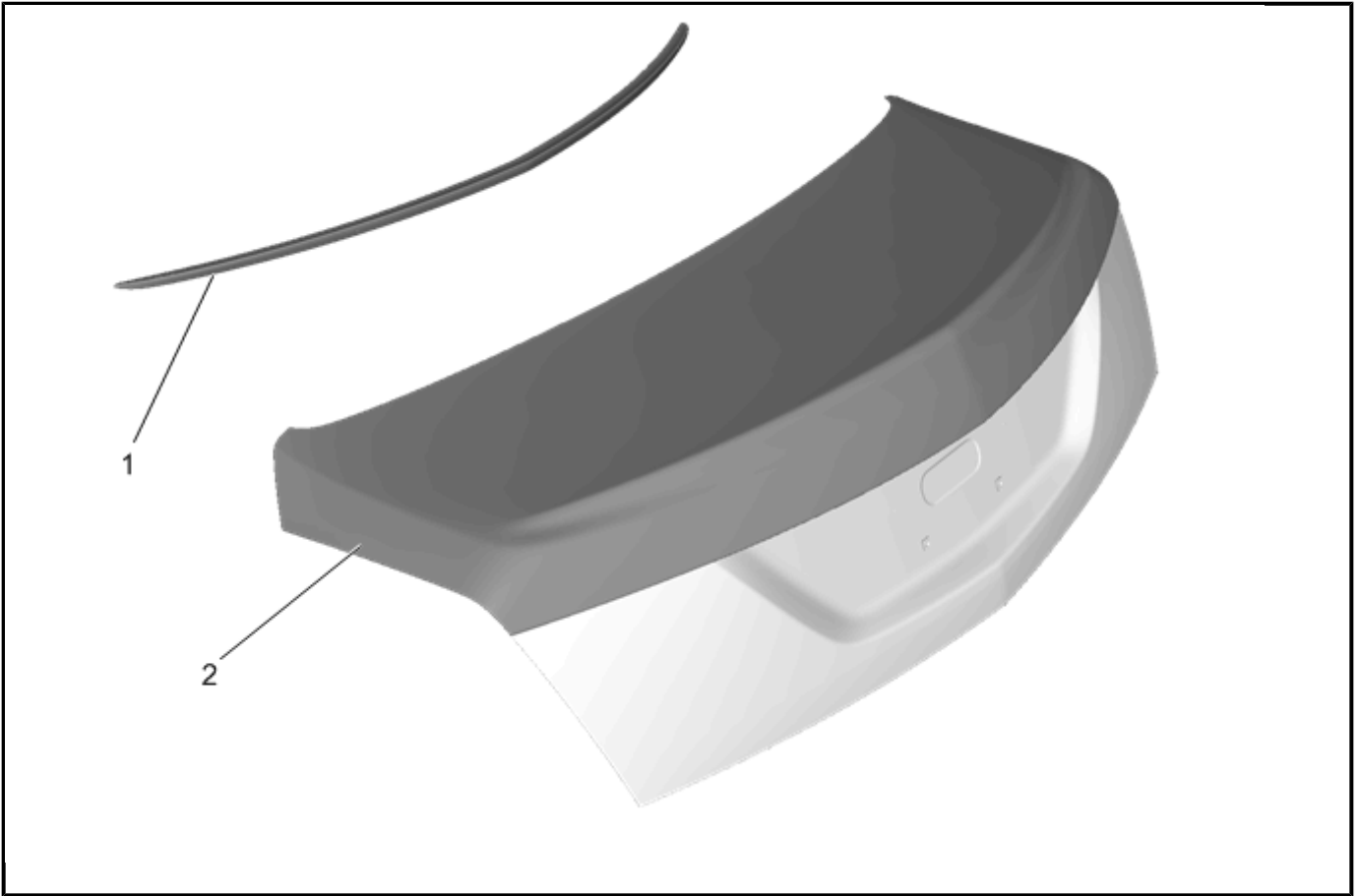
4175764

## Tools Required



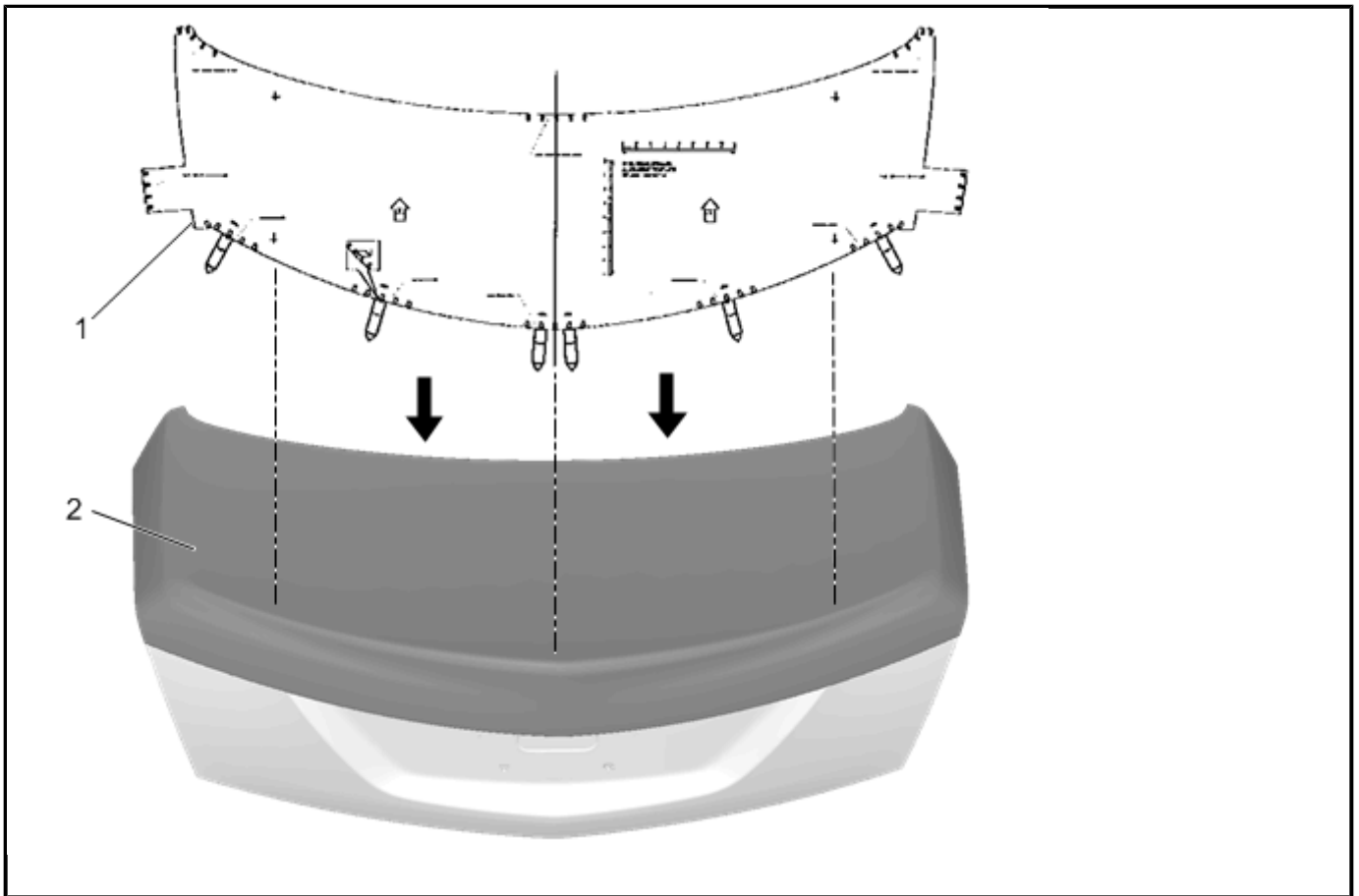
4175768

## Procedure



4175771

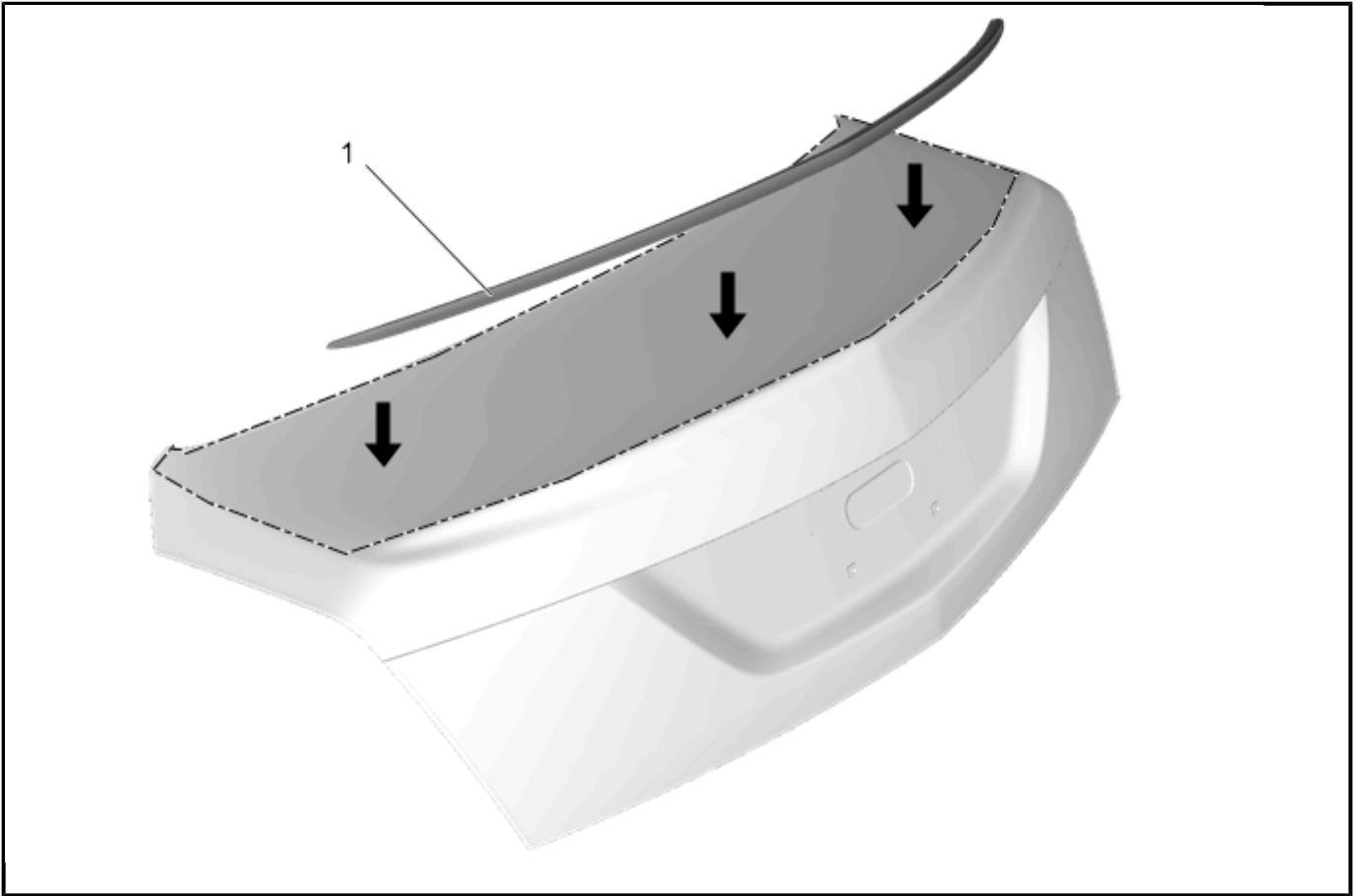
1. Refinish spoiler (1) as necessary. Refer to refinish procedures in Vehicle Service Manual.
2. Using soap and water, wash the rear compartment lid area (2) where spoiler is to be installed.



4175774

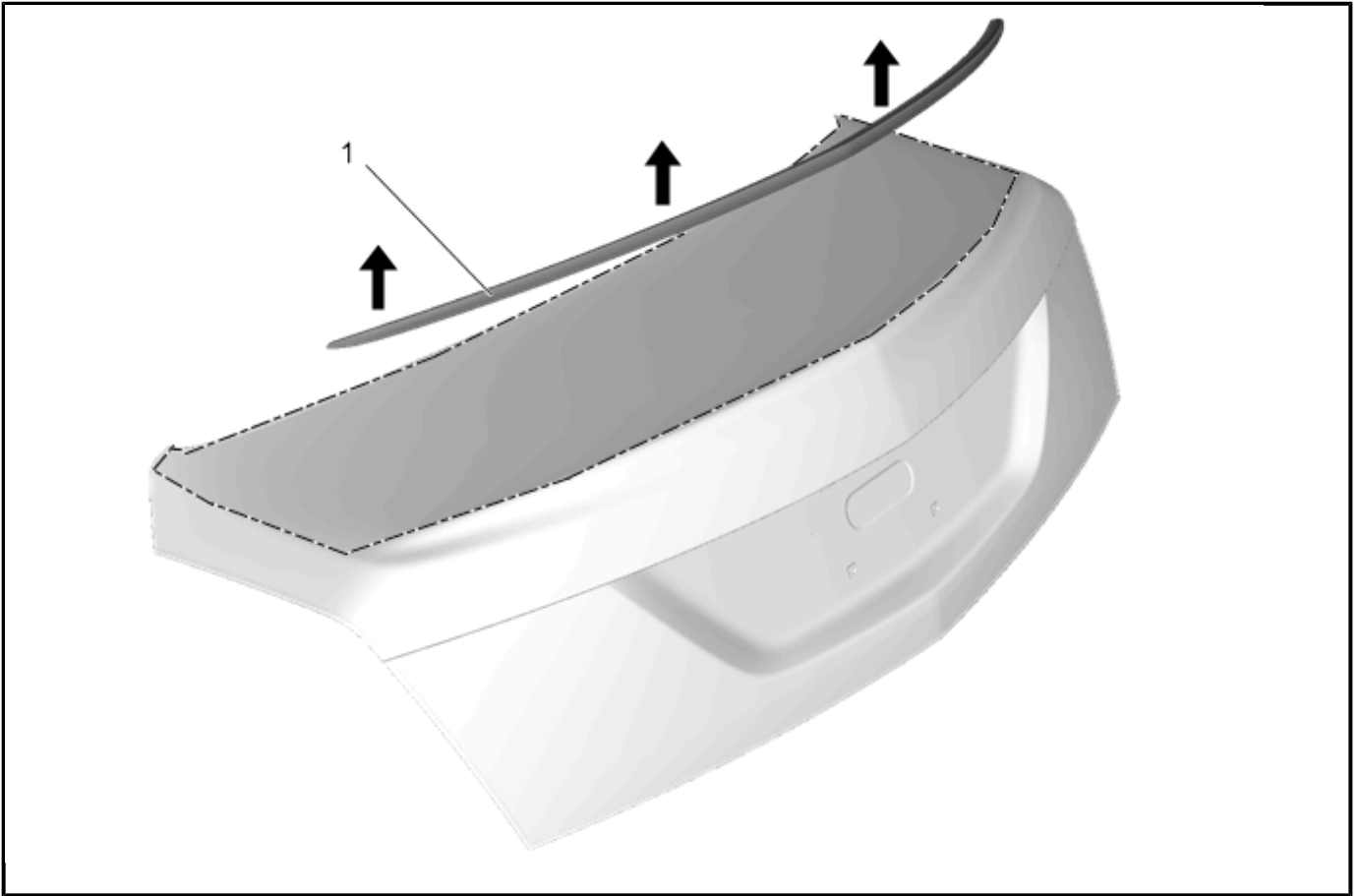
**Note:** Template is a die cut template.

3. Position template (1) on rear compartment lid (2). Follow the directions on the template for layout procedure.
4. Verify all 6 fold tabs are folded upwards and tabs are securely inserted into insert slots.



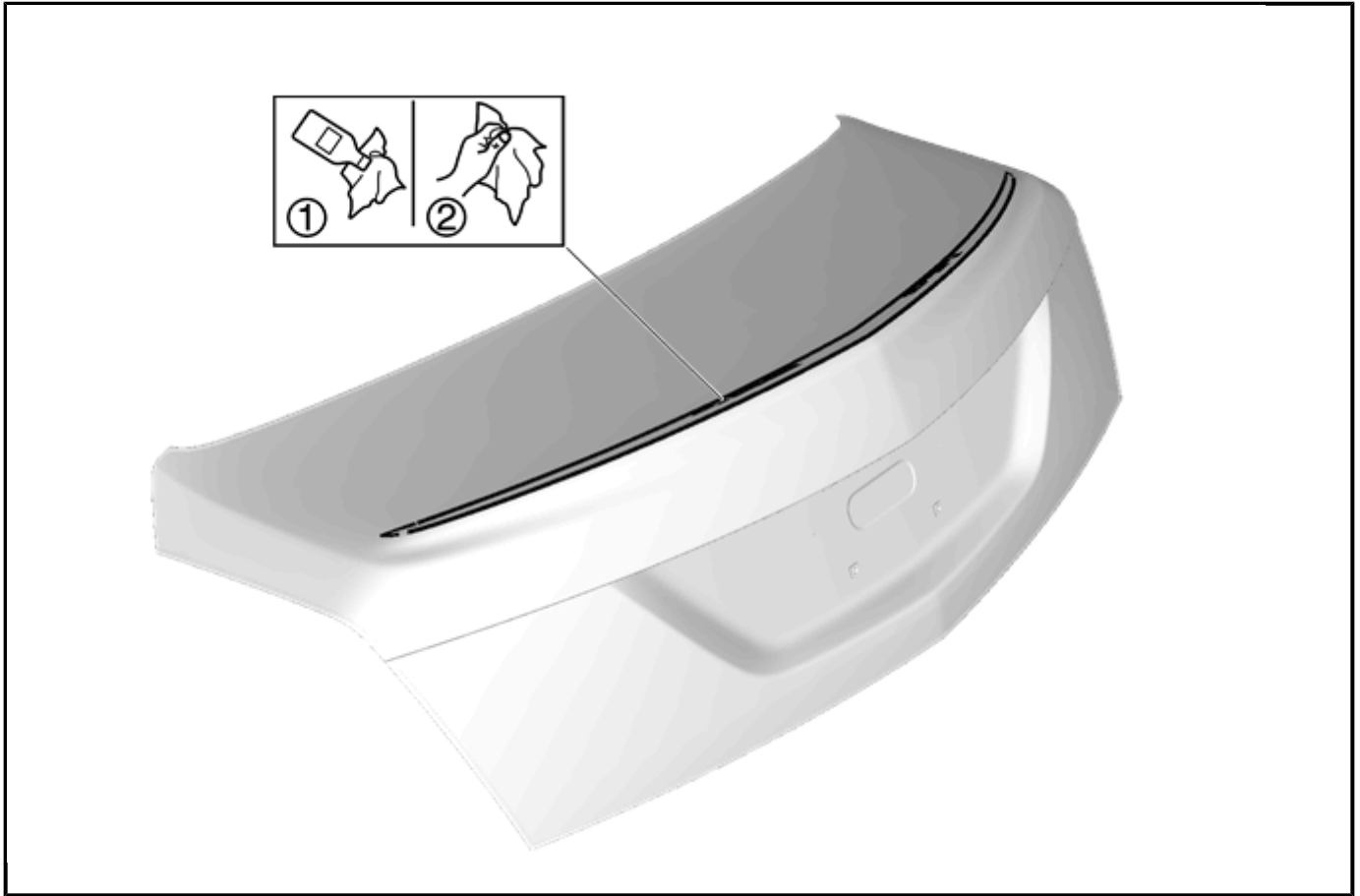
4175777

5. Verify spoiler (1) fits rear compartment lid and aligned with the template tabs for spoiler.



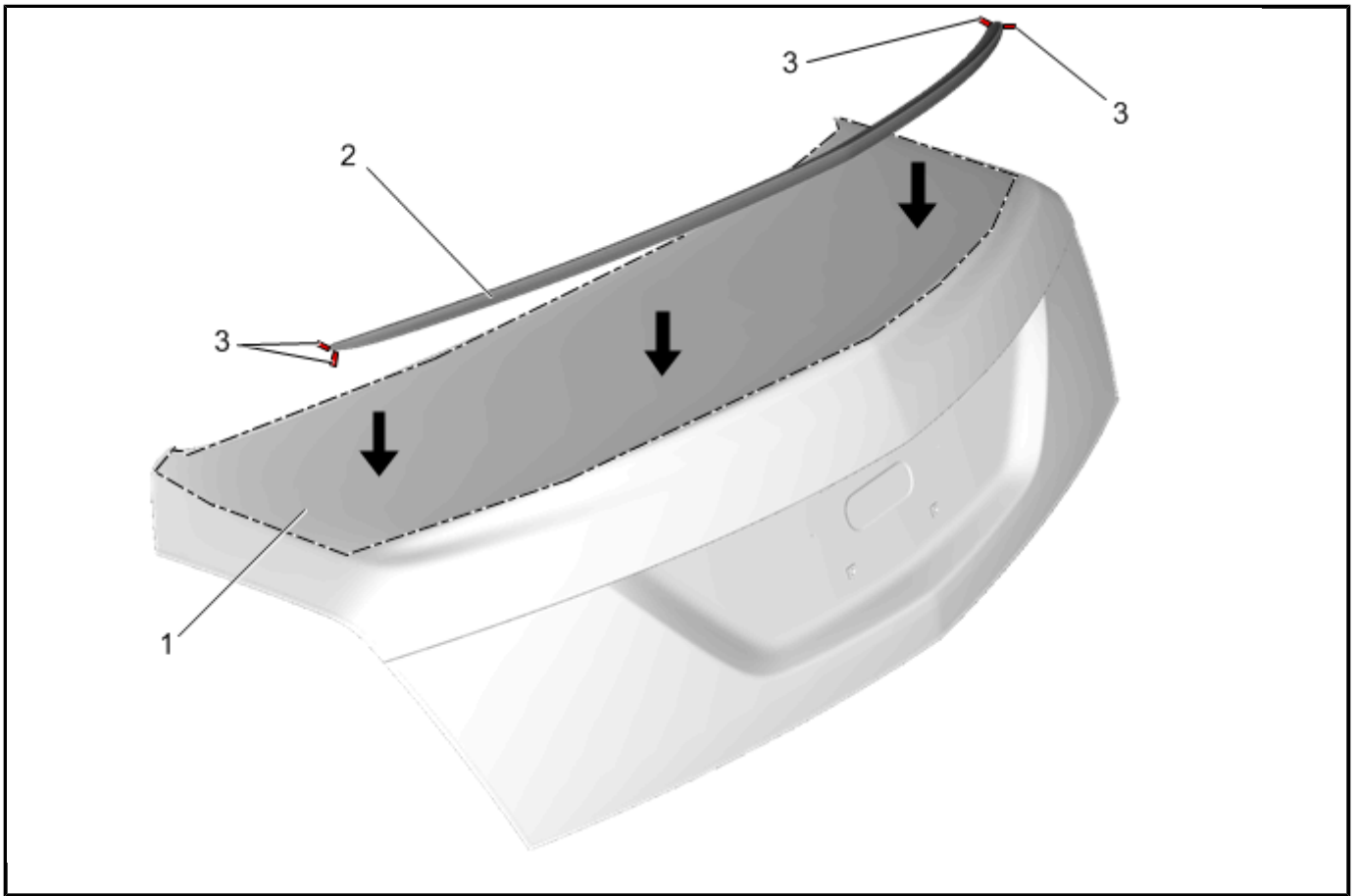
4175781

6. Remove spoiler (1) and set aside.



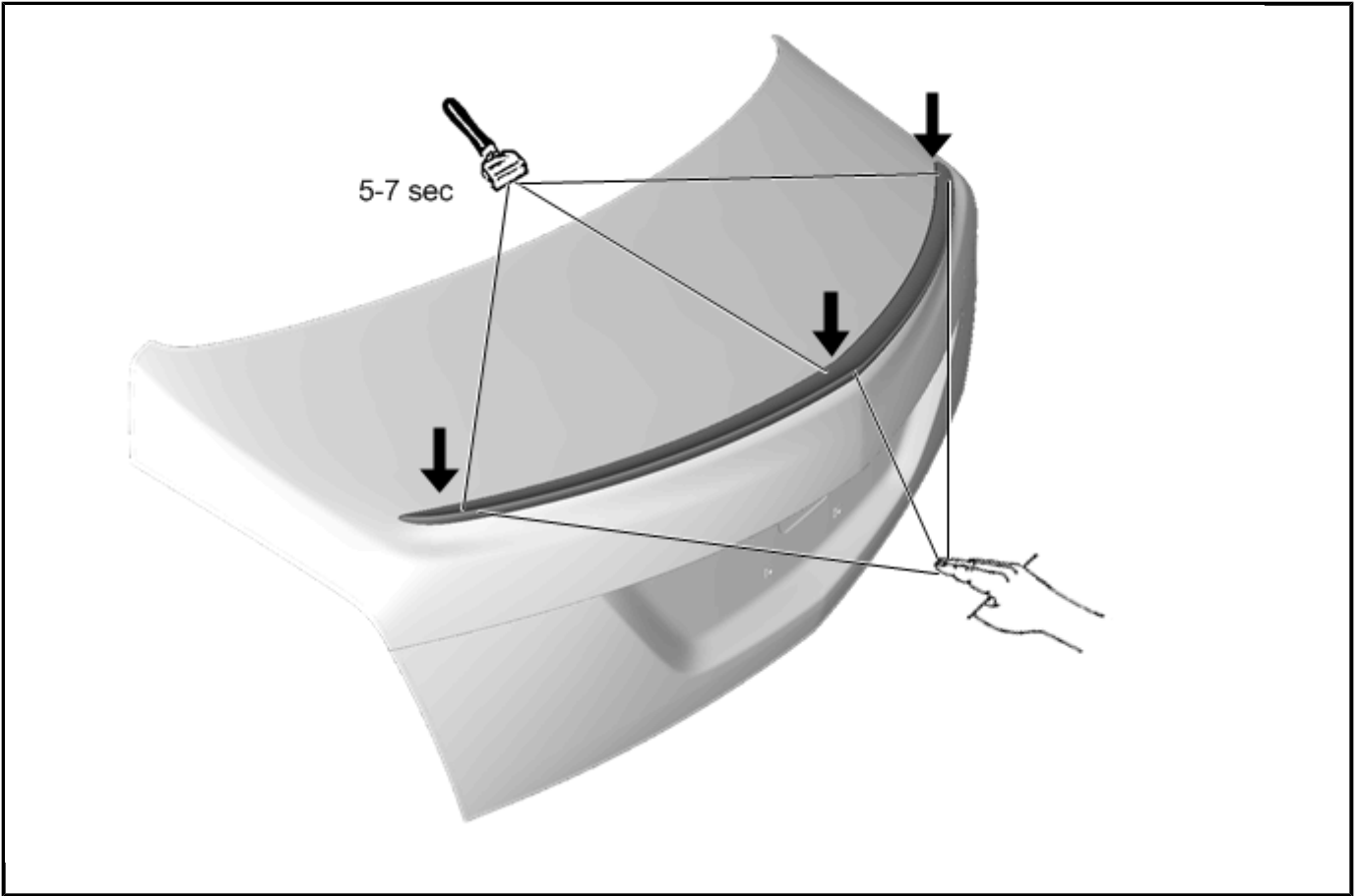
4175783

7. Clean rear compartment lid area with solvent pack.



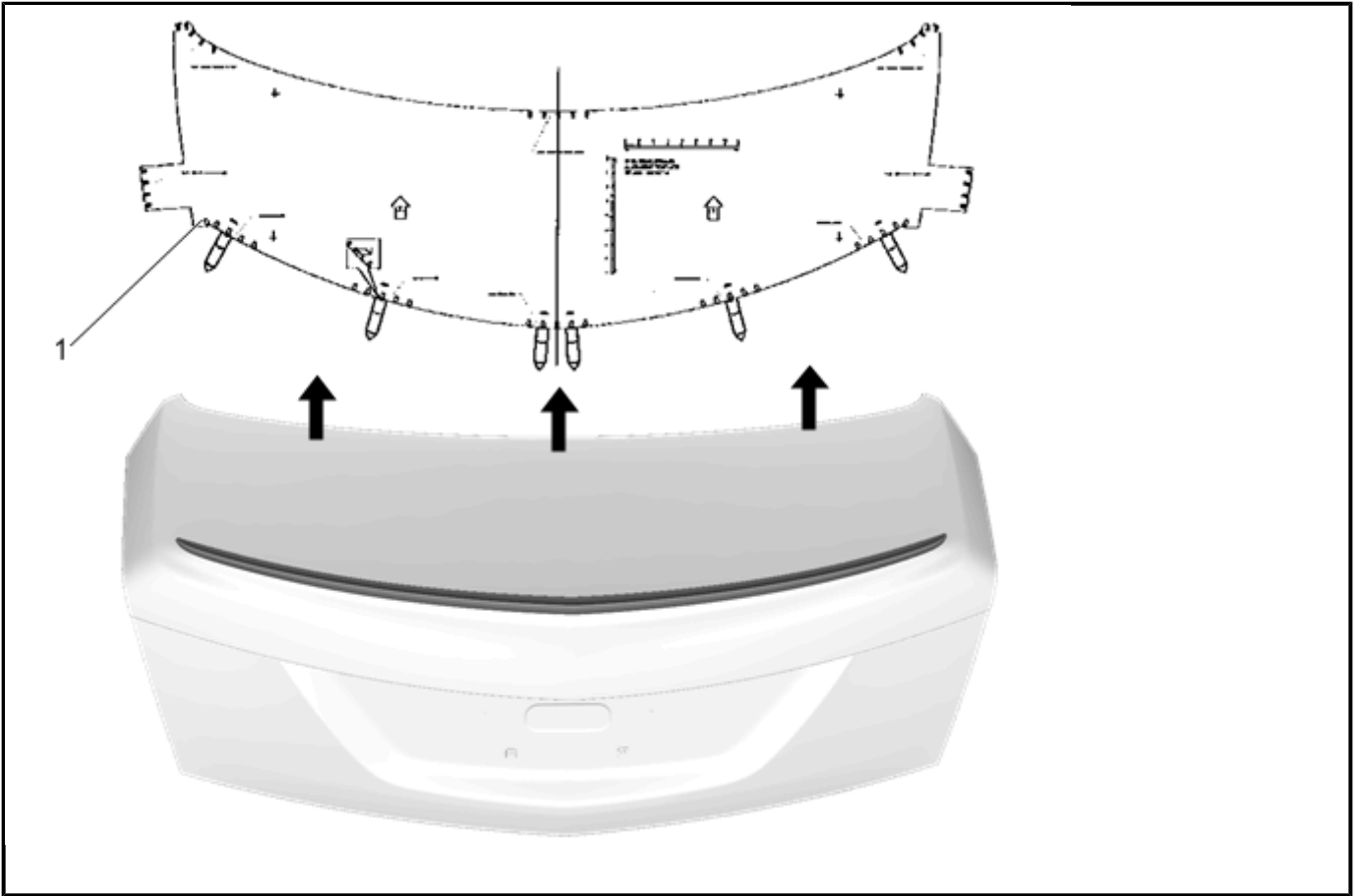
4175785

8. Start the tape tabs (3) and fit the spoiler (2) to the rear compartment lid (1). Pull tape tabs (3). Ensure the spoiler does not catch the template underneath while set spoiler.



4175787

9. Apply pressure to entire spoiler surface. Ensure that the tape is wet out. In order to proper wet out, please use a roller to apply even pressure to the top of the spoiler.



4175789

10. Remove template (1).