

Document ID: 4943830

# Body Emblem Package Installation

## [Installation Instructions Part Number](#)

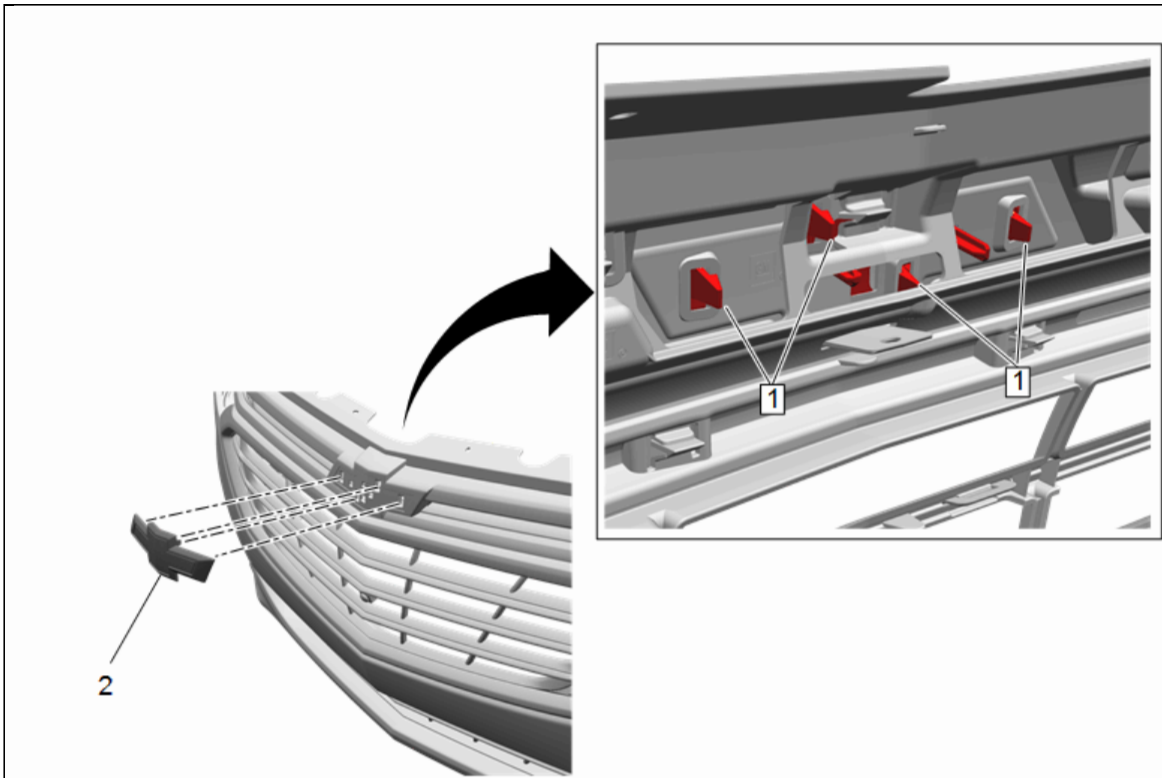
84087503

### Kit Contents

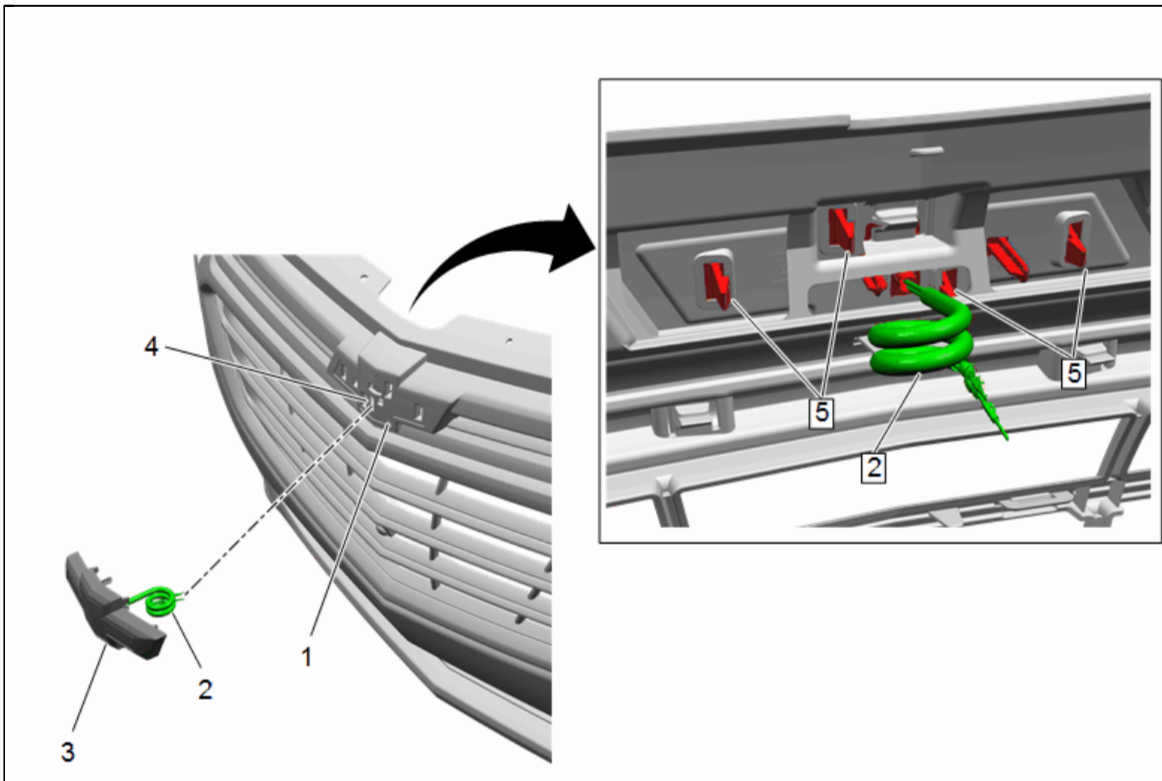
Qty	Description
1	Emblem Assembly Gold Bow Tie – Front Grille Illumination
1	Harness Package
5	Tie Strap
1	Installation Instructions
<b>OR</b>	
1	Emblem Assembly Black Bow Tie – Front Grille Illumination
1	Harness Package
5	Tie Strap
1	Emblem Assembly Black Bow tie – Liftgate
1	Alcohol Wipe
1	Installation Instructions

### Procedure

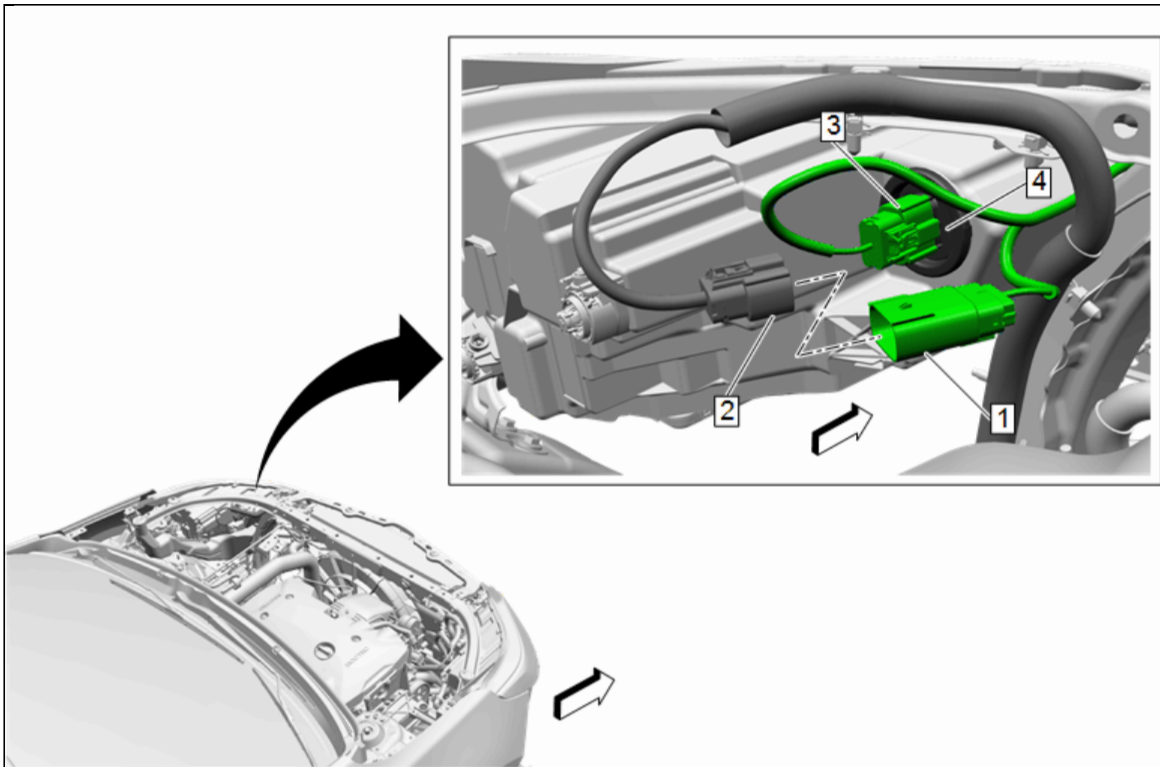
- 1. Front Bow Tie Emblem Replacement.** Read all instructions before performing procedure.
- Inspect kit to verify all parts are included.
- Turn off the vehicle.
- Open the hood.
- Remove the front bumper fascia. Refer to [Front Bumper Fascia Replacement](#) in Vehicle Service Manual.



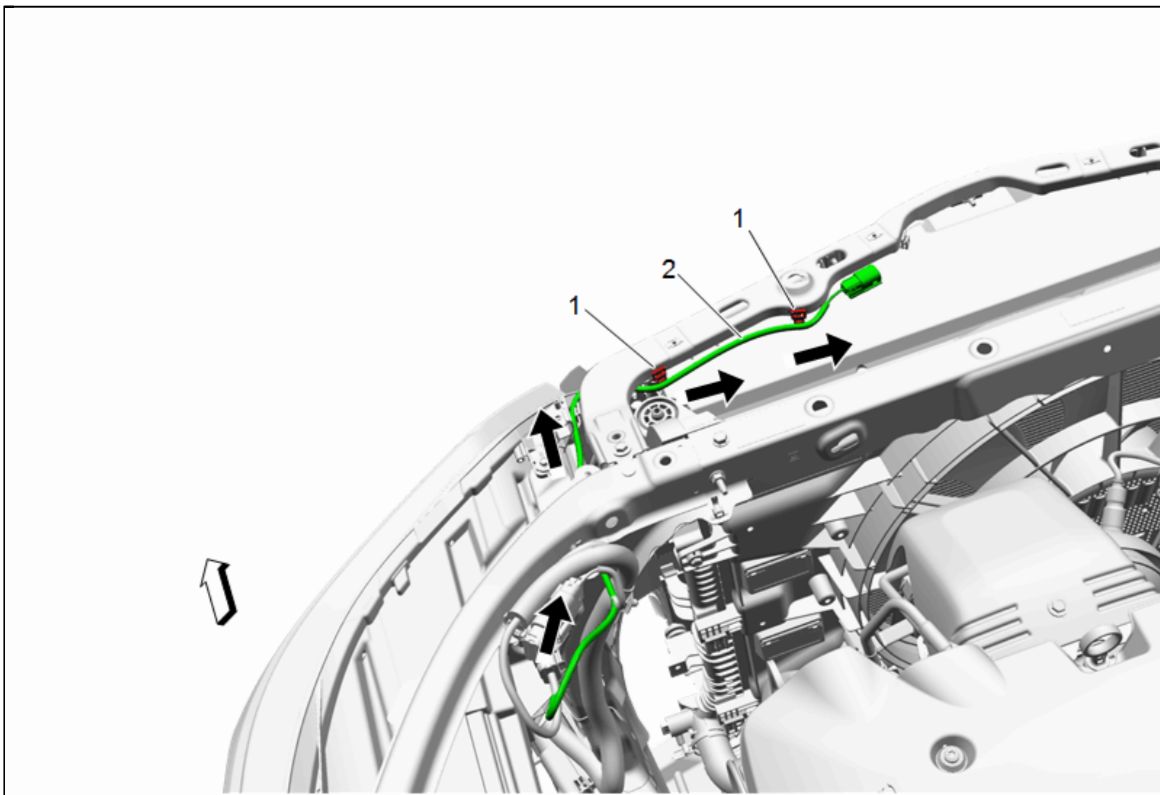
6. Using a suitable flat-bladed tool, release the locking tabs (1) and remove the front grille emblem (2) from the front grille.



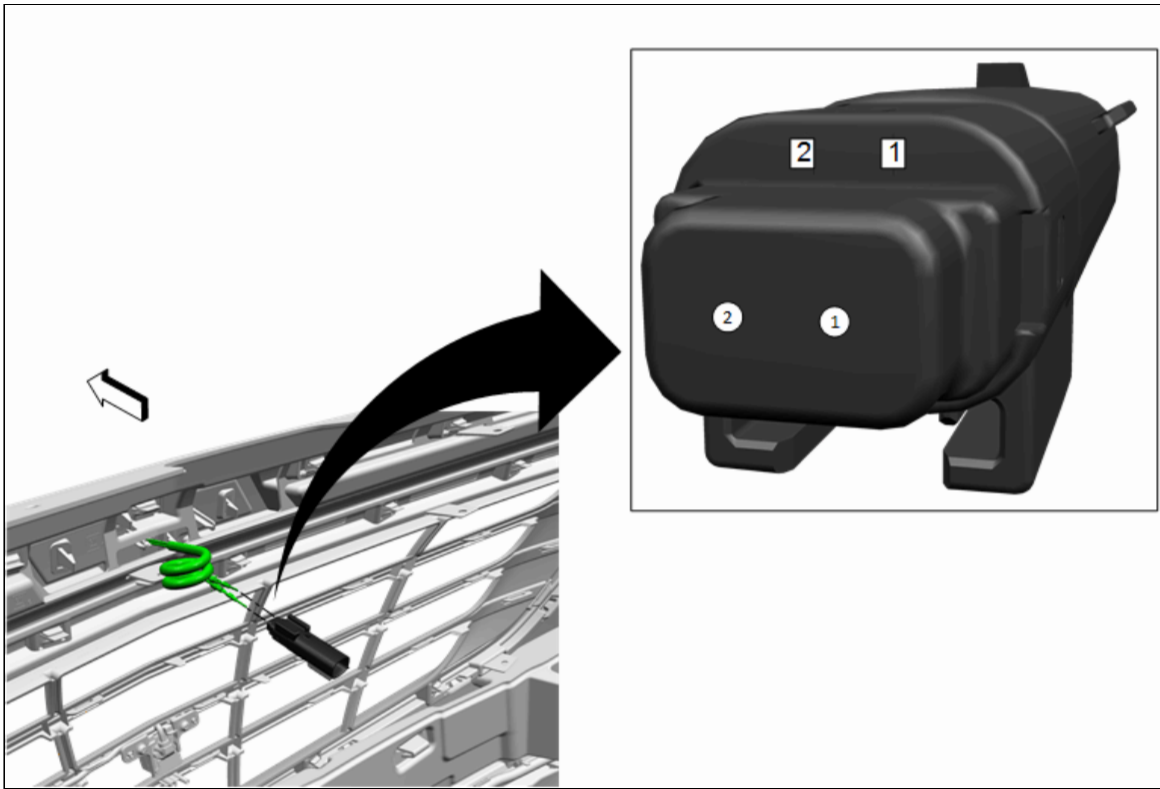
7. Install the illuminated emblem (3) to the grille (1). Pass the emblem pigtail (2) through the existing hole (4) in grille and engage the retainers (5).



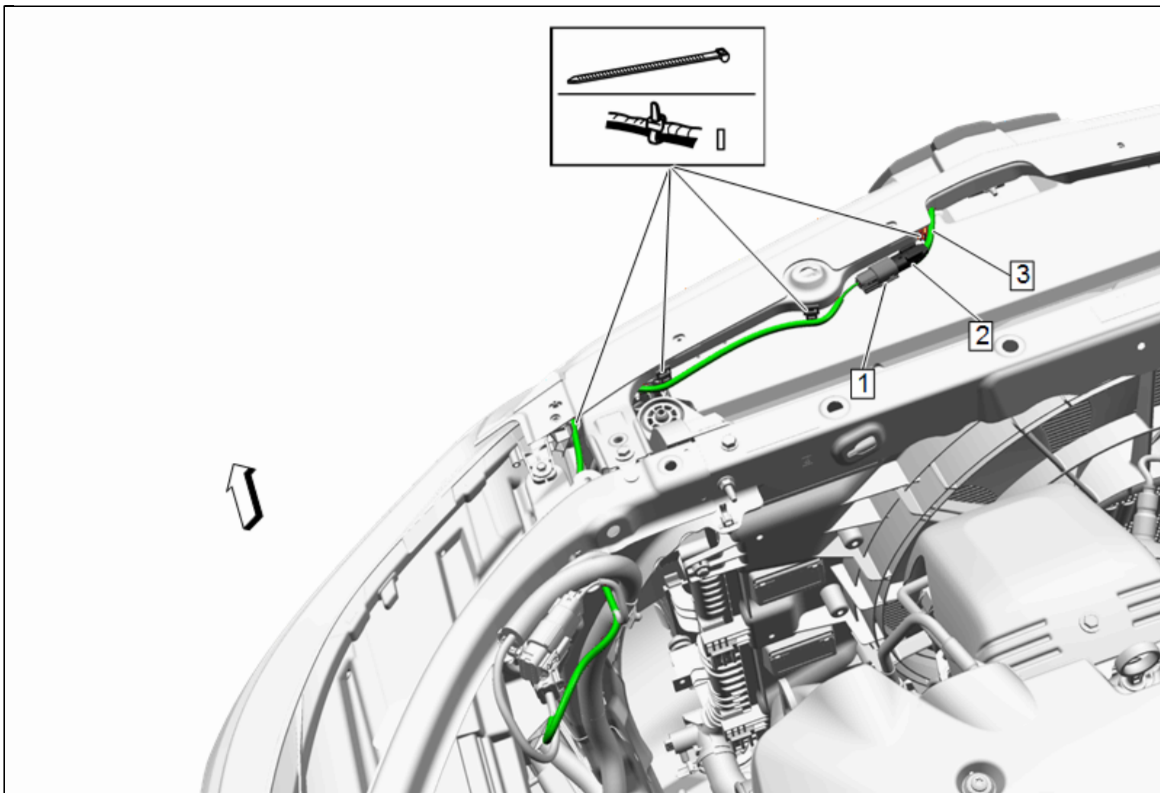
8. Disconnect the forward lamp lighting harness (2) from the driver side headlamp (4).
9. Connect the jumper harness connector (3) to driver side headlamp (4).
10. Connect the previously disconnected forward lamp lighting harness (2) to the jumper harness connector (1).



11. Route harness (2) to the grille through top opening.
  12. Install harness clips (1) into the grille before reinstalling the fascia.
- © 2020 General Motors. All rights reserved.



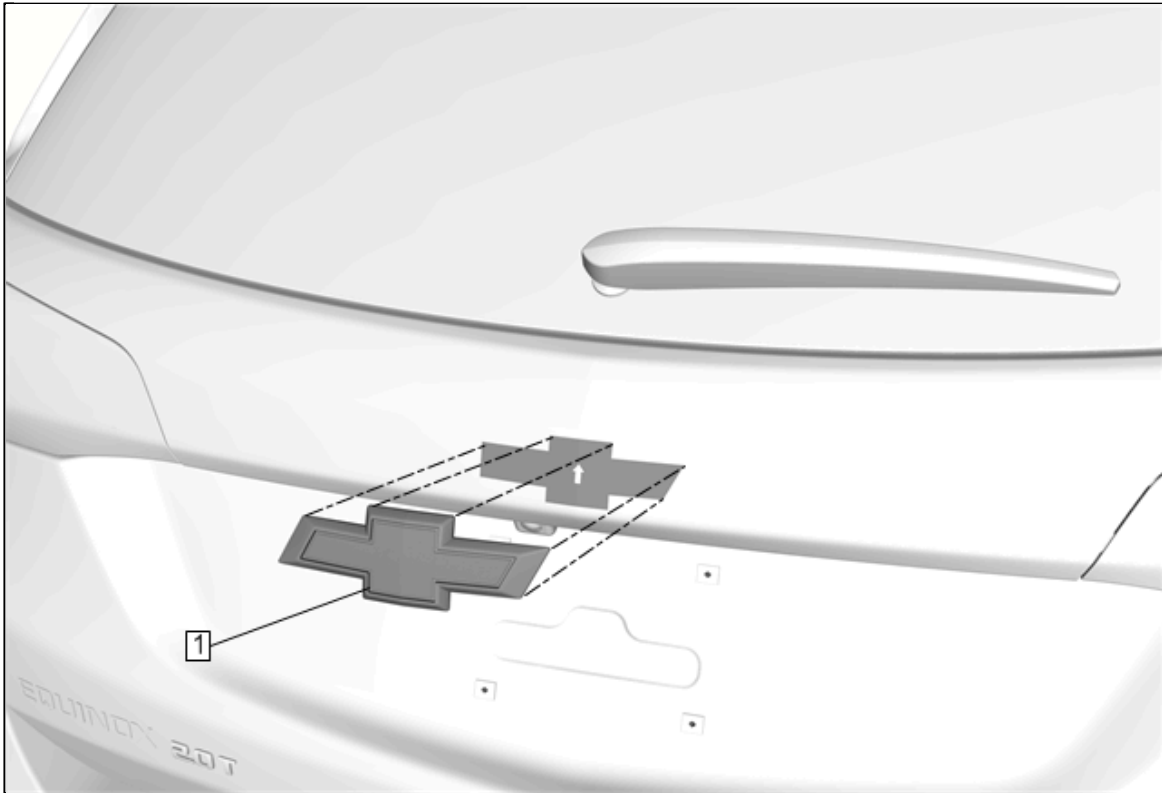
13. On the emblem pigtail select the BLACK wire and insert the terminal into Cavity 2, feel the 'Click' to ensure the terminal is fully seated, pull gently to confirm.
14. Insert the remaining wire into Cavity 1, again push until feeling the 'click' of the terminal locking into place, pull gently to confirm.



15. Position the front bumper fascia to the vehicle while routing emblem harness (3) to the jumper harness connector (1).

16. Connect the jumper harness connector (1) to the emblem harness connector (2). Ensure the connectors are locked together by pushing the Red CPA (Connector Position Assurance) in place.
17. Check headlamp and emblem functions.
18. Reinstall the front bumper fascia. Refer to [Front Bumper Fascia Replacement](#) in Vehicle Service Manual.
19. Secure harness with tie straps as needed.

### Rear Bow Tie Emblem Replacement



1. Mark position of production emblem with a washable marker or masking tape prior to removal.
2. The part surface should be 21°C (70°F) prior to installation. The vehicle should remain 21°C (70°F) for one hour after assembly to allow adhesive to develop sufficient bond strength.
 

**Caution:** DO NOT use heat gun to remove emblems from any plastic part or around any plastic part. Applying heat to liftgate/Tailgate/Applique may damage the finish of the Applique or Latch Bezel or other surrounding plastic parts resulting in replacing the Applique or Latch Bezel or other surrounding plastic parts.
3. Using a suitable plastic flat bladed tool, remove the liftgate emblem.
4. Clean any remaining residue with included solvent wipe or with a 50/50 mixture by volume of isopropyl alcohol and clean drinkable water. Wipe surface dry with a clean lint free towel.
5. When removing protective liners from the adhesive tape, be careful not to touch tape with hands and do not allow tape to come in contact with dirt or any foreign matter prior to adhesion.
6. Position new black emblem (1) carefully within reference marks and place on prepared surface.
7. Using the palm of the hand, wet out the emblem to ensure full adhesion is achieved.