

Trailer Hitch Platform Package Installation (Enclave Instruction ID: 84096033)

Installation Instructions Part Number

84096033

Hitch Capacity

Trailer Weight Rating: 1500 lb. (Specific to this vehicle)

Tongue Weight: 10-15% of trailer weight up to 500lb..

Use as weight carrying only.

Warning: Although this hitch is designed to safely tow its rated load, we recommend that you consult your vehicle owner's manual for possible manufacturer's recommendations or limitation. Be sure your trailer has safety chains and that each chain will hold the trailer's maximum gross weight.

Kit Contents

Qty	Description
1	Platform Assembly – Trailer Hitch
1	Wiring Harness
4	M12 x 1.75 x 35 Bolts
2	Reinforcement Plates
1	Installation Instructions

Tools Required

Torque wrench

9/32, 7mm, 10mm, 15mm and 18mm sockets

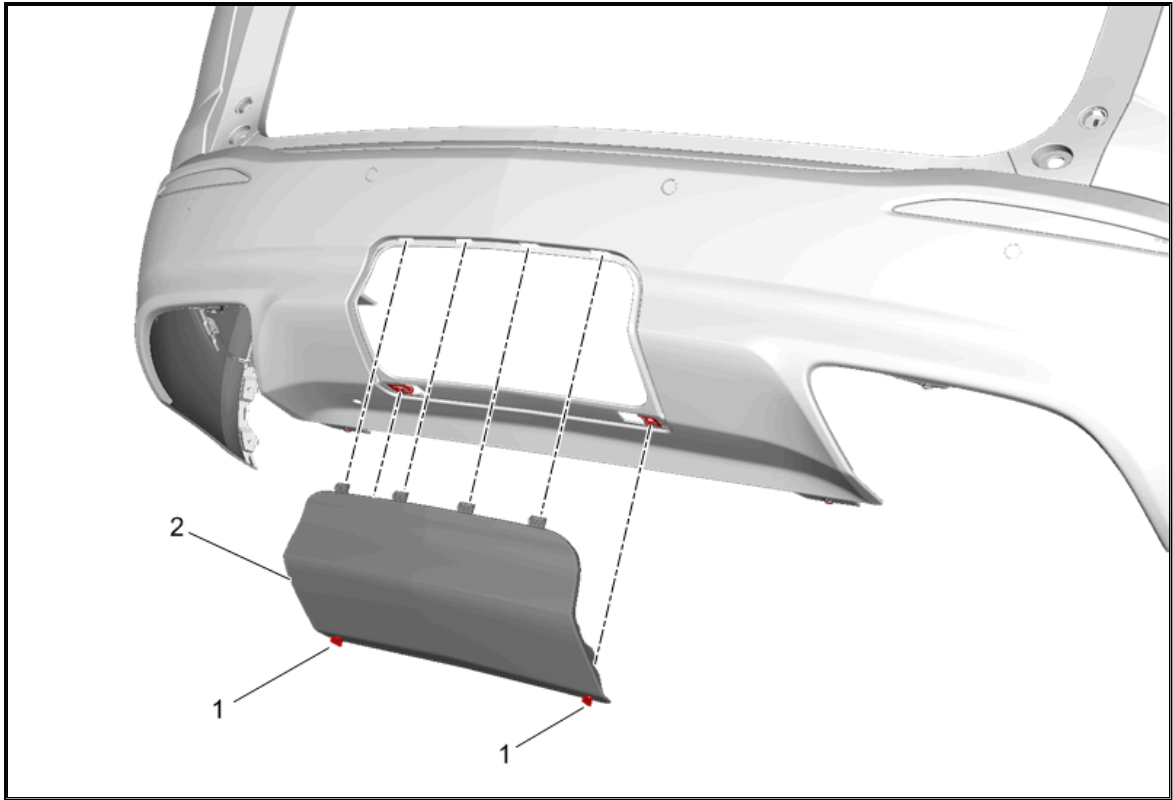
T15 and T20 driver

Procedure

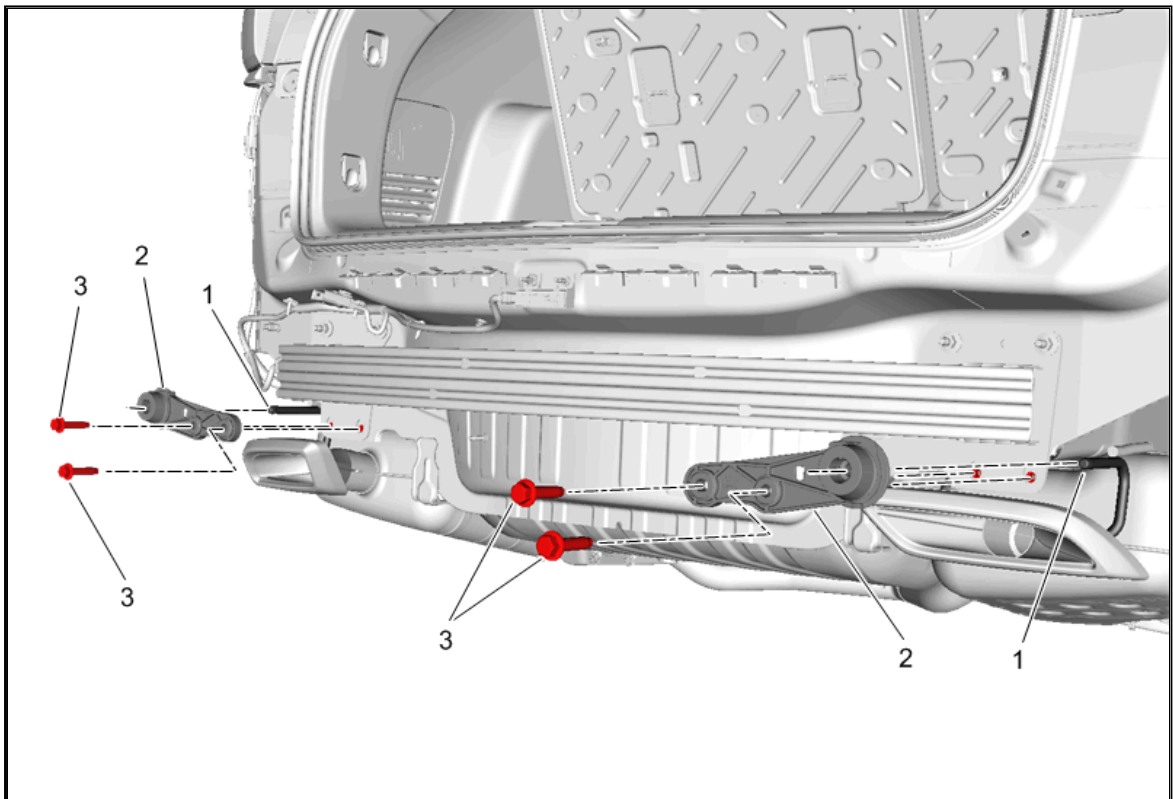
Warning:

- Wear Safety glasses in order to avoid eye damage.
- In order to avoid being burned, do not service the vehicle while the exhaust system is still hot. Service the vehicle when the exhaust system is cool.

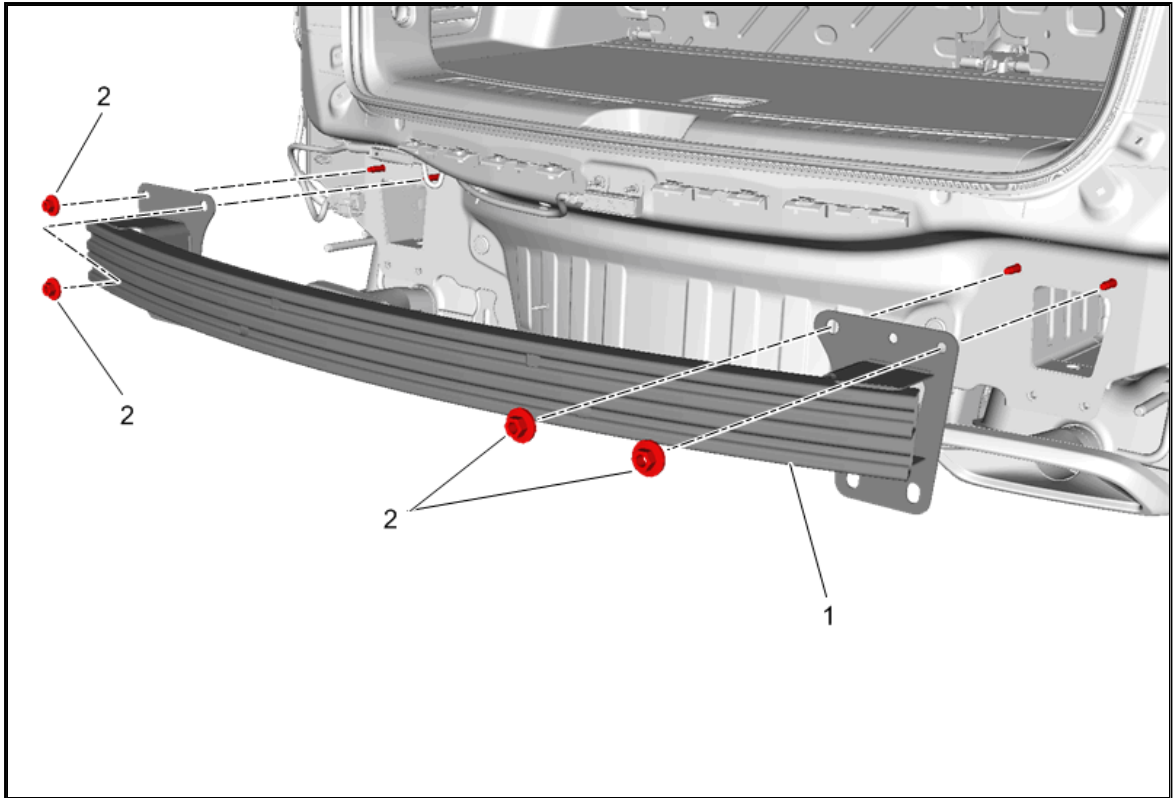
1. Remove the rear bumper fascia. Refer to [Rear Bumper Fascia Removal and Installation](#) within the vehicle service manual.



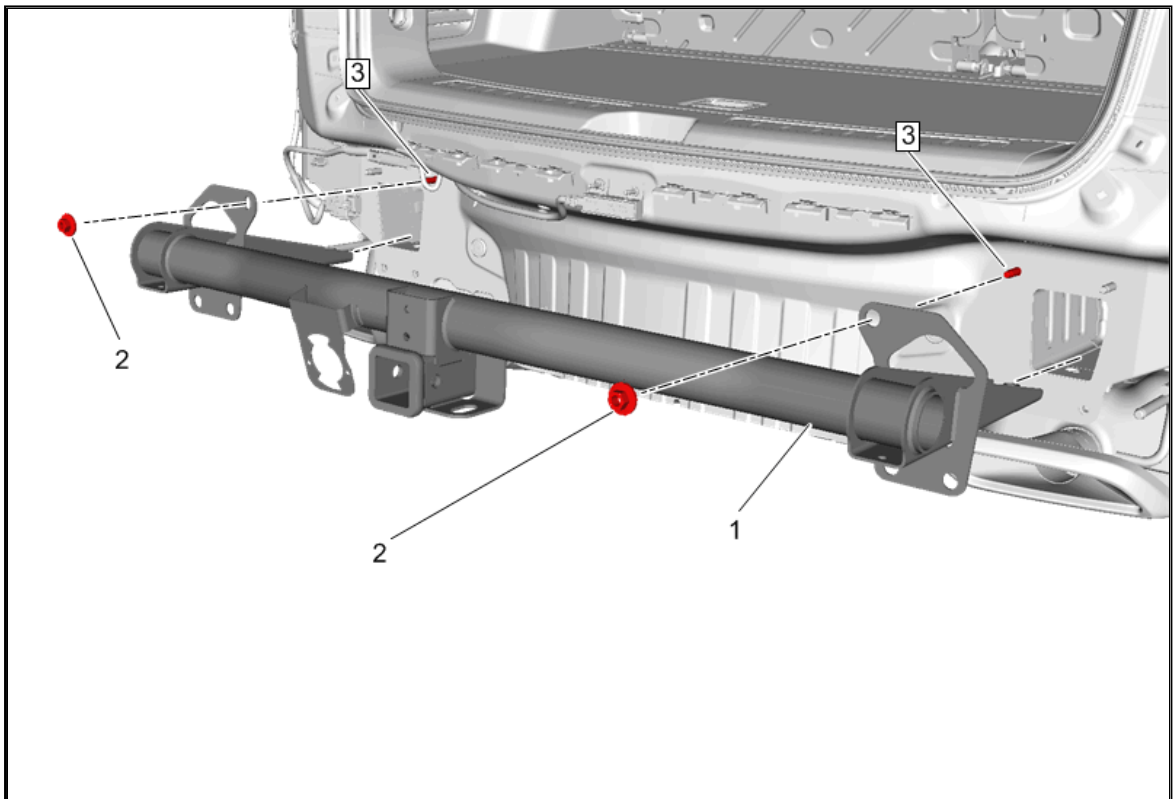
2. Loosen the fasteners (1) and remove the rear fascia close out panel (2) from the rear fascia.



3. Remove and retain the bolts (3) securing the rear exhaust hangers (2) to the rear impact bar. Remove the exhaust hangers from muffler (1).



4. Remove and retain the nuts (2) securing the rear fascia impact bar.
5. Remove the rear fascia impact bar (1) from vehicle.



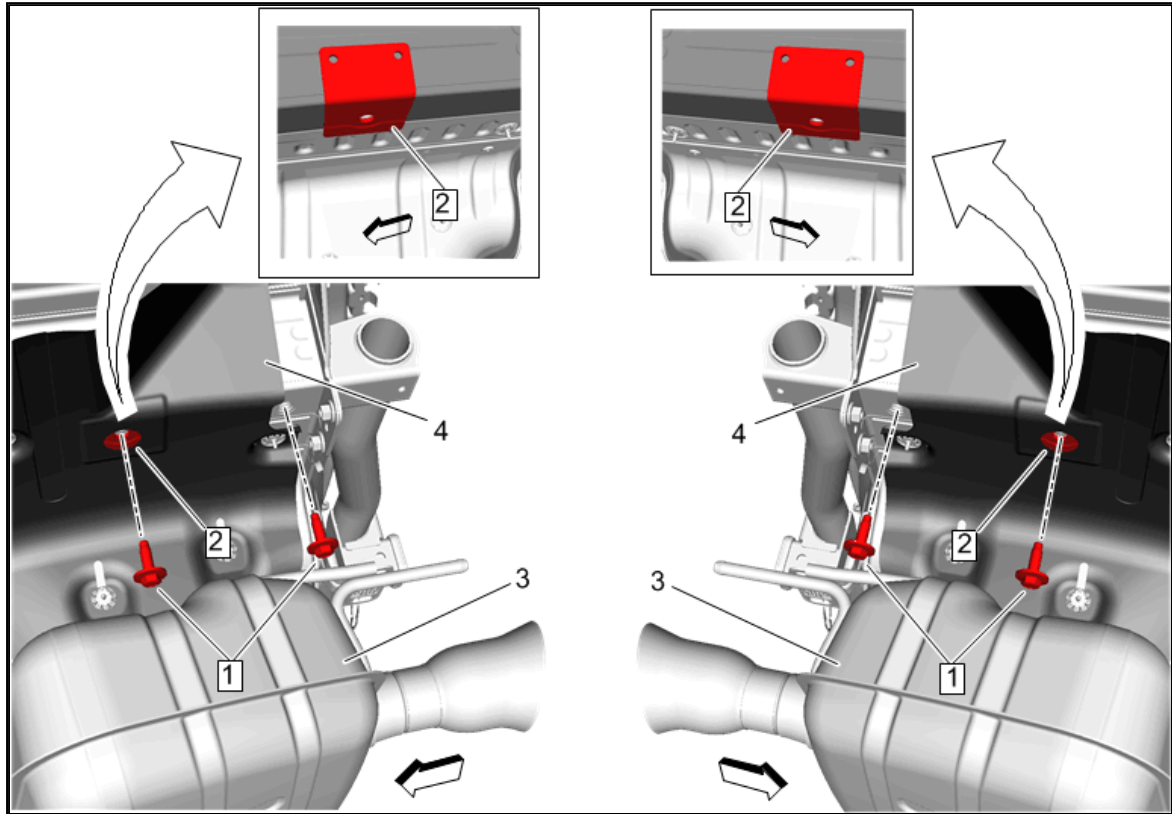
Caution: Use the correct fastener in the correct location. Replacement fasteners must be the correct part number for that application. Fasteners requiring replacement or

fasteners requiring the use of thread locking compound or sealant are identified in the service procedure. Do not use paints, lubricants, or corrosion inhibitors on fasteners or fastener joint surfaces unless specified. These coatings affect fastener torque and joint clamping force and may damage the fastener. Use the correct tightening sequence and specifications when installing fasteners in order to avoid damage to parts and systems.

6. With the aid of an assistant, insert the platform assembly – trailer hitch (1) into the body rails. Secure with previously retained nuts (2) to the studs (3).

Tighten

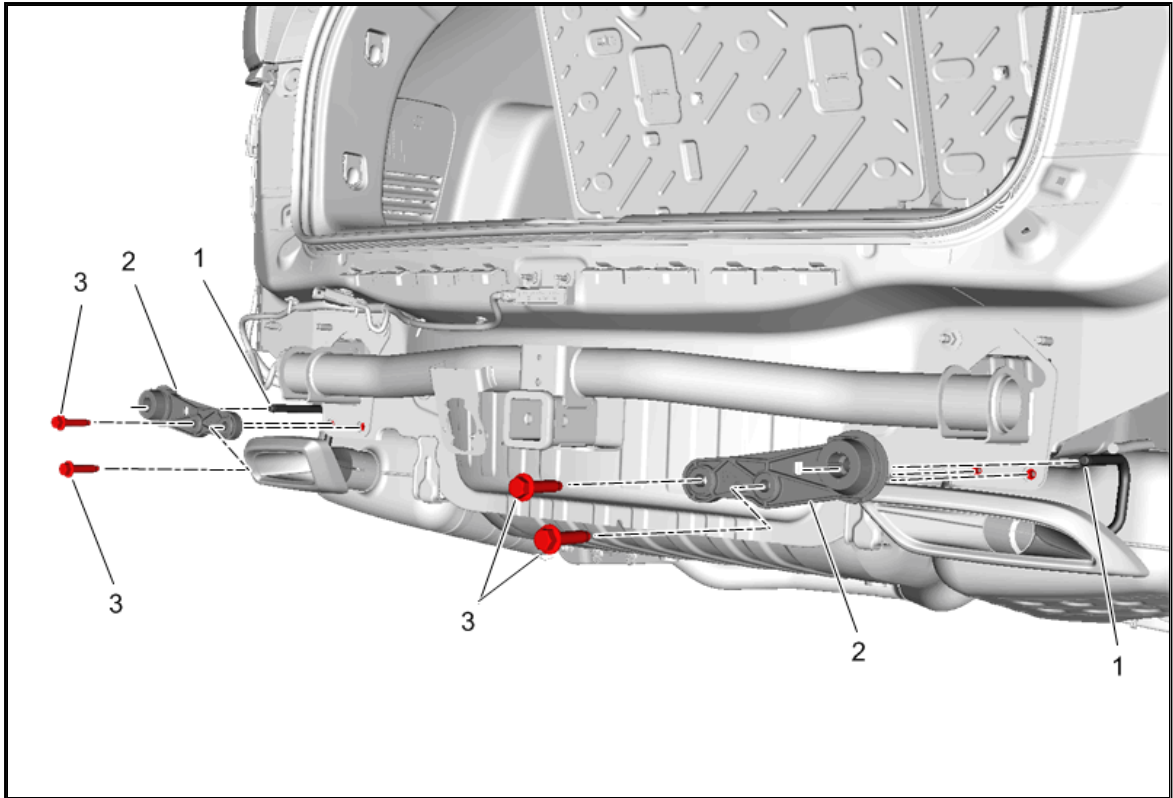
Tighten the nuts to 58 ± 9 N.m.



7. With the raised lip to the outside install the reinforcement plates (2) between frame rail and heat shield (4), reposition muffler (3) and secure the platform assembly – trailer hitch with the supplied M12 x 1.75 x 35 bolts (1).

Tighten

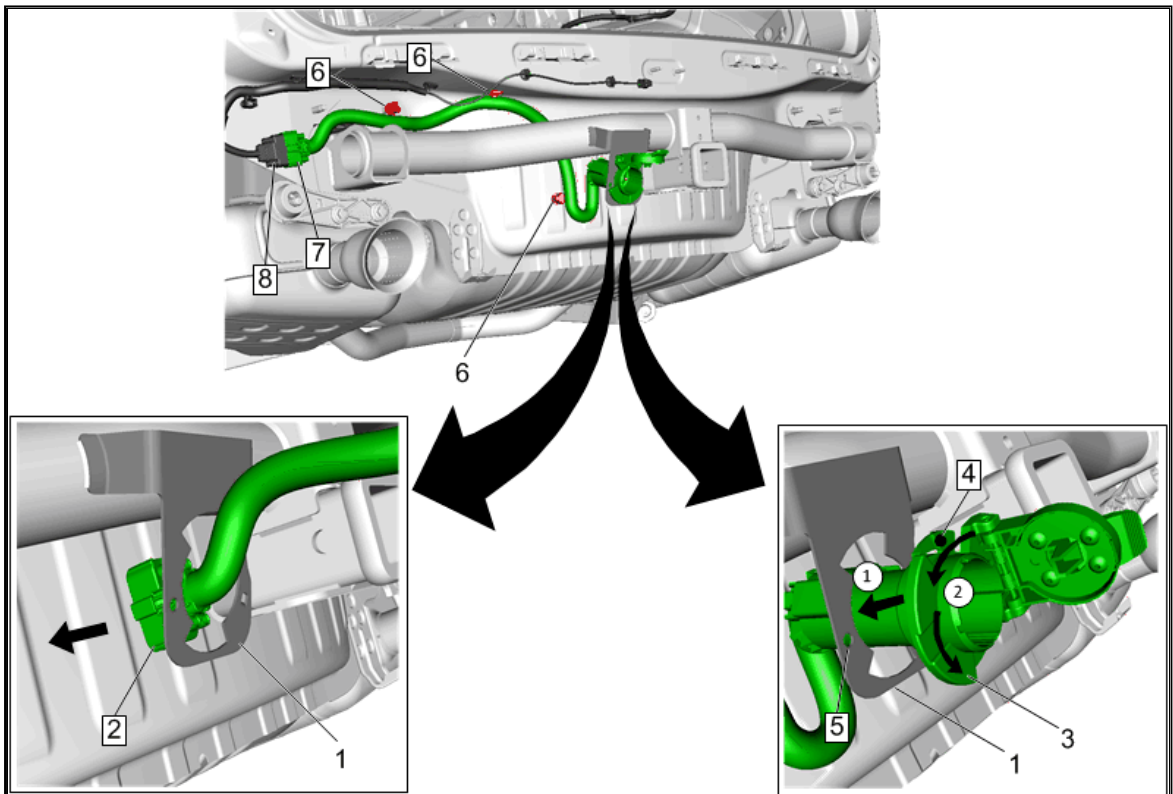
Tighten the M12 x 1.75 x 35 bolts to 100 ± 15 N.m.



8. Install the rear exhaust hangers (2) to the muffler (1) and platform assembly – trailer hitch, install the previously retained bolts (1).

Tighten

Tighten the bolts to 58 ± 9 N.m.



9. **Harness Installation:** Feed the rectangular connector (2) of hitch harness through hitch plate hole (1) and pull harness through.
10. Twist lock of round connector (3) to hitch plate hole (1) until tab (4) engages into hole (5).
11. Engage the three harness stud clips (6).
12. Remove body harness cap and connect the trailer harness (7) to body harness (8).
13. Install the rear bumper fascia. Refer to [Rear Bumper Fascia Removal and Installation](#) within the vehicle service manual.