

Document ID: 4876714

# Front Side Door Outside Handle Package Installation

Installation Instructions Part Number

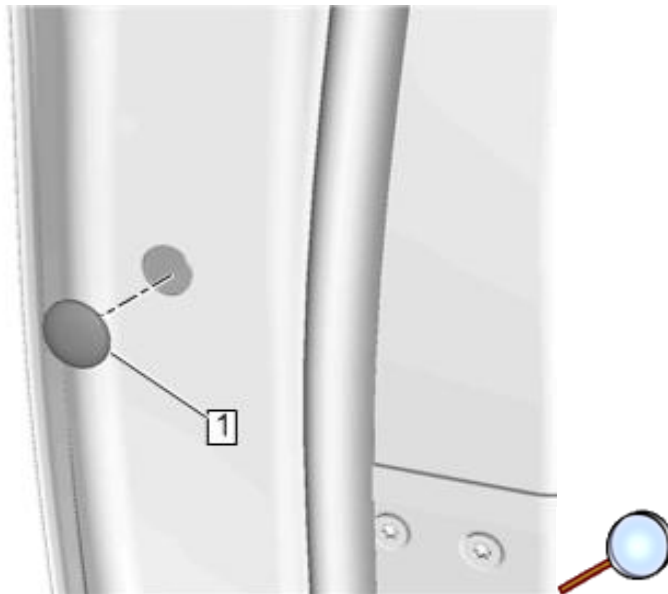
84102418

## Kit Contents

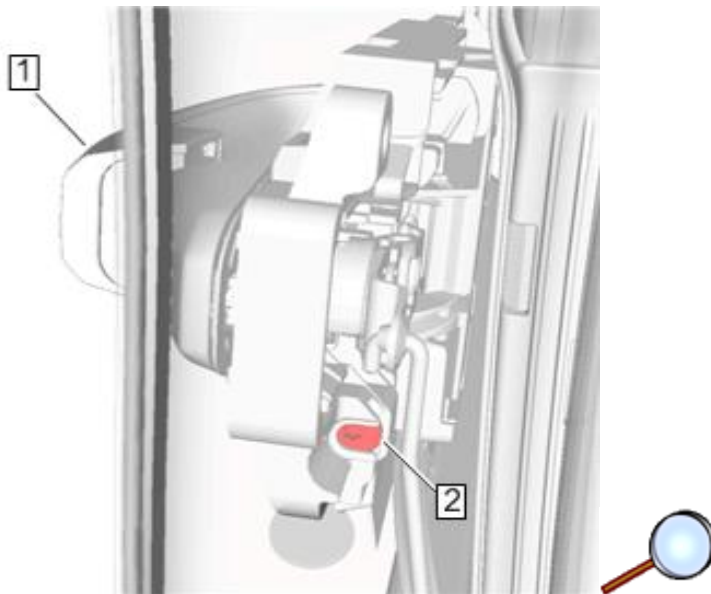
Qty	Description
1	Left Front Door Handle Outer
1	Right Front Door Handle Outer
1	Front Side Door Lock Cylinder Opening Cover (Right Side)
1	Front Side Door Lock Cylinder Bezel (Left Side)
1	Installation Instructions

## [Procedure](#)

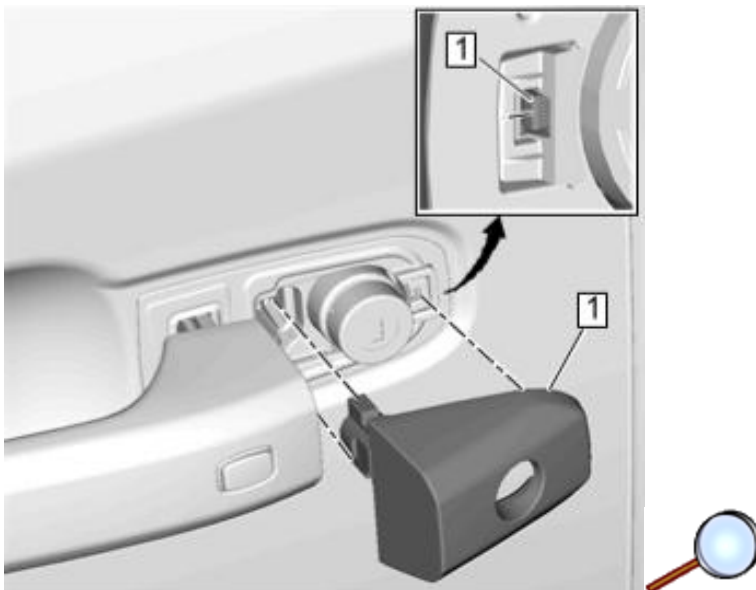
### Front Side Door Lock Cylinder Bezel (Driver's Door)



1. Remove the Front Side Door Outside Handle Bracket Screw Access Plug (1).

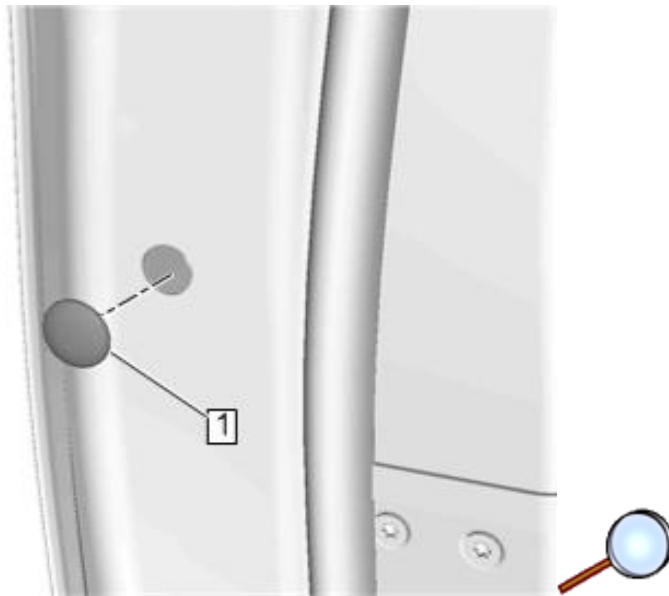


2. Pull front side door outside door handle (1) outward and hold.
3. Turn rearward attaching screw (2) until it clicks.

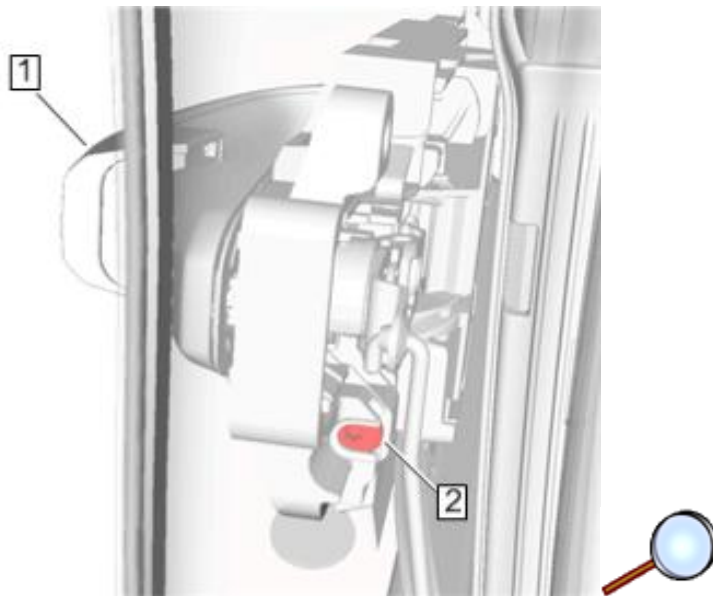


4. Using a small flat-bladed tool, release the front side door lock cylinder bezel (1) from the retainer.
  5. Install the chrome front side door lock cylinder chrome bezel (1) to the retainer.
- Note:** Make sure front tab is engaged.

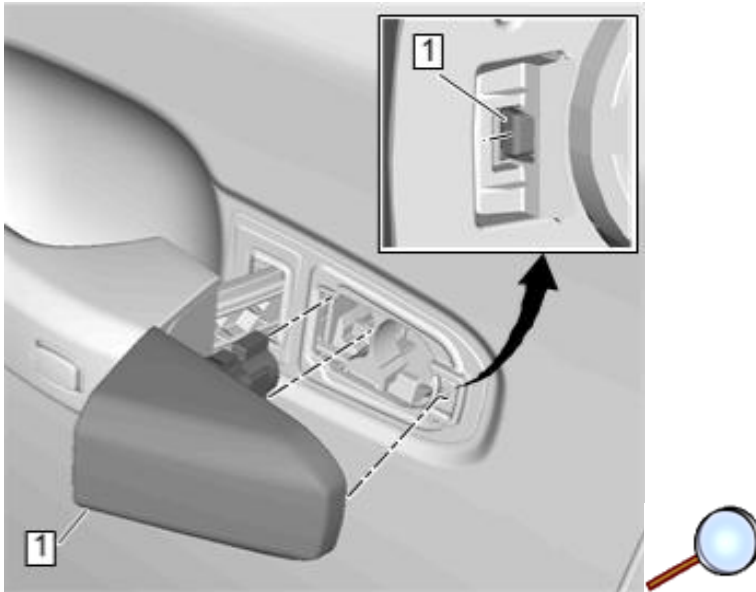
#### Front Side Door Lock Cylinder Opening Cover (Passenger's Door)



1. Remove the Front Side Door Outside Handle Bracket Screw Access Plug (1).



2. Pull front side door outside door handle (1) outward and hold.
3. Turn rearward attaching screw (2) until it clicks.

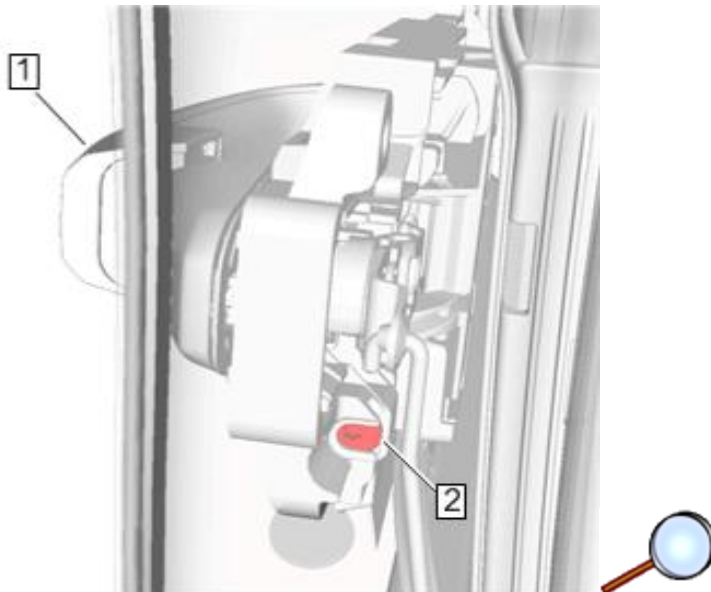


4. Using a small flat-bladed tool, release the front side door lock cylinder opening cover (1) from the retainer.

5. Install the chrome front side door lock cylinder chrome opening cover (1) to the retainer.

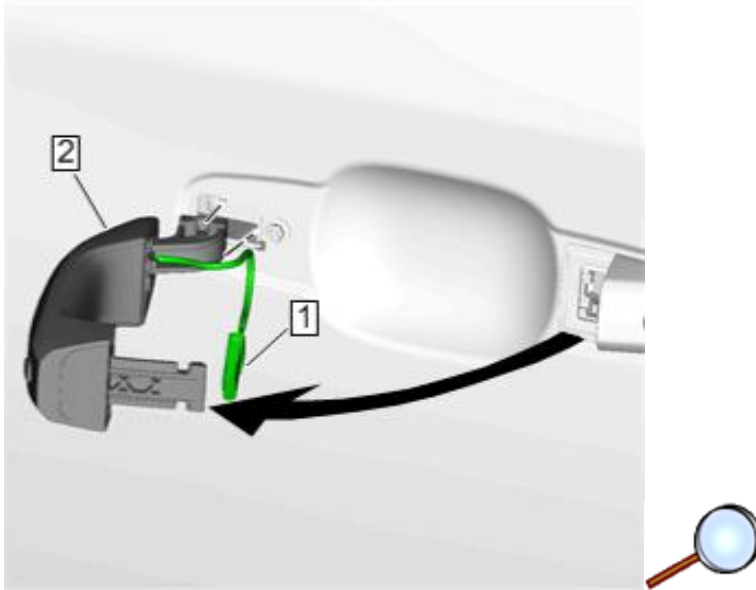
**Note:** Make sure front tab is engaged.

#### Front Side Door Outside Handle

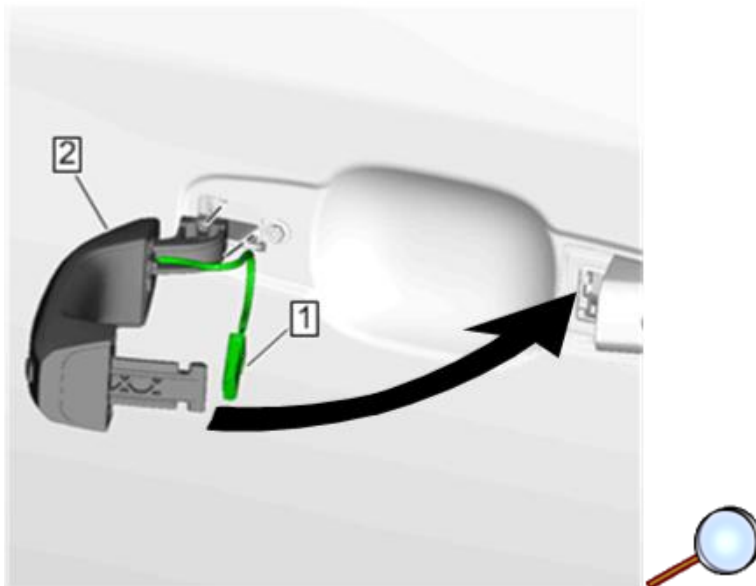


1. Pull front side door outside door handle (1) outward and hold.

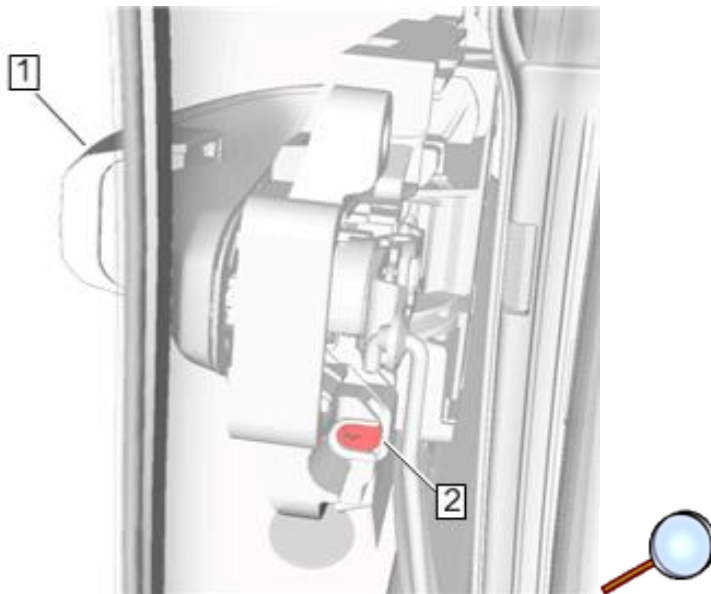
2. Turn rearward attaching screw (2) until it clicks.



3. Disconnect electrical connector (1) if applicable.
4. Remove the Front Side Door Outside Handle (2).



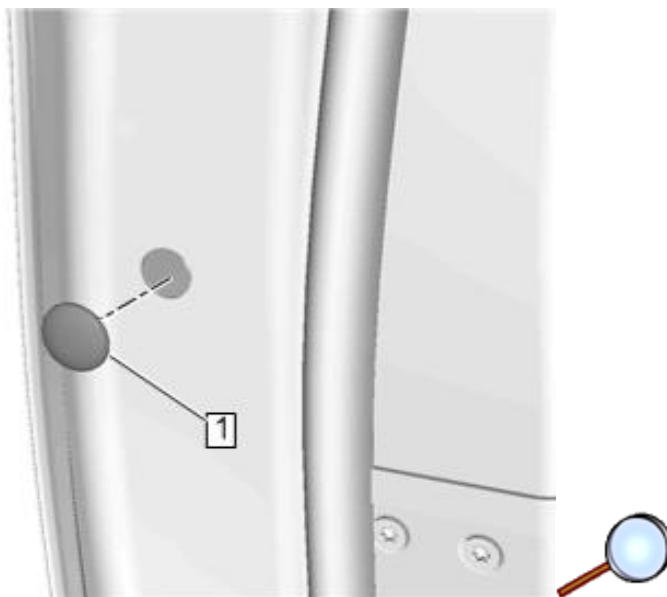
5. Connect electrical connector (1) if applicable.
6. Install Chrome Front Side Door Outside Handle (2).



7. Lightly push front side door outside handle (1) to ensure it is in position.

**Caution:** Refer to [Fastener Caution](#).

8. Tighten the Rearward Attaching Screw (2). Tighten to 4.9 Y (43 lb in)



9. Install Front Side Door Outside Handle Bracket Screw Access Plug (1)

10. Test door handle for correct operation. If not installed properly, follow steps in [Front Side Door Outside Handle Counter Balance Adjustment](#) in Vehicle Service Manual.