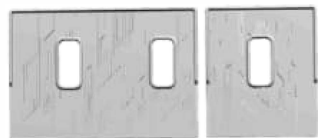


Rear Floor Compartment Tray Package Installation (Cadillac)

Note: For GMC see page 3.

[Installation Instructions Part Number](#)

84116463



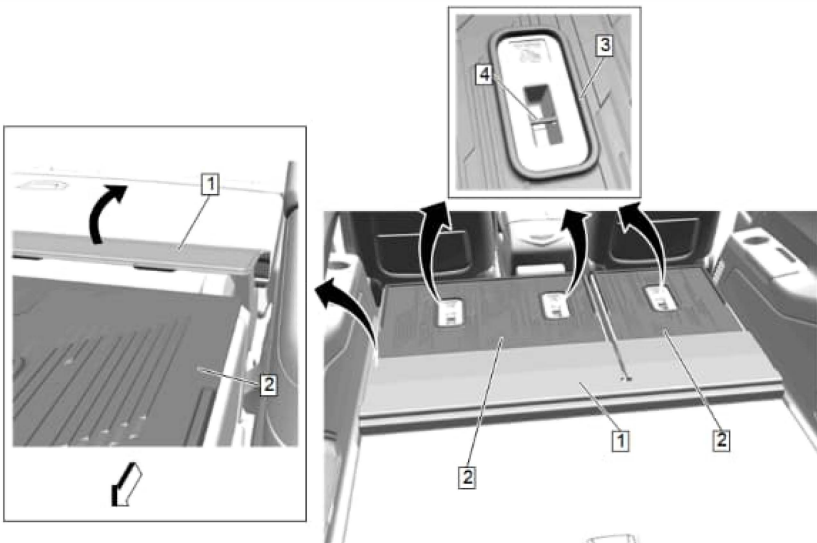
Kit Contents

Qty	Description
1	Rear Seat Back Cargo Tray
1	Rear Seat Back Hinge Cargo Tray
1	Rear Compartment Cargo Floor Tray
1	Installation Instructions

© 2015 General Motors. All rights reserved.

Procedure

Seat Back Installation



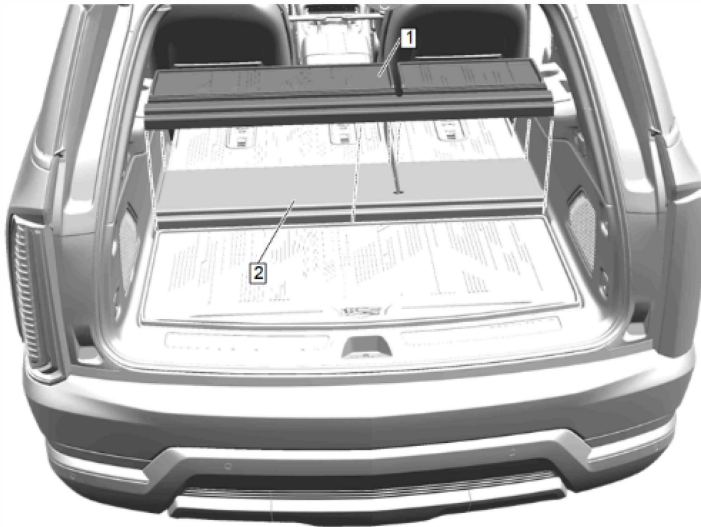
1. Ensure the rear seats are in the down position.
2. Pull up on rear seat back hinge panel (1) and position seat back cargo trays (2) under hinge panel (1).
3. Install the seat back cargo trays (2) aligning the tether openings (3) to the seat tether anchors (4), and tether logo as shown.
4. Apply firm pressure at each hook & loop location to secure cargo trays to the seat back.

Load Floor Installation



1. Install the rear cargo floor tray (1) to the rear cargo floor (2) aligning edge with the cargo sill plate.

Seat Back Hinge Panel Installation



1. Install the seat back hinge panel cargo tray (1) aligning the edges to the seat back hinge panel (2)..
2. Apply firm pressure at each hook & loop location to secure seat back hinge panel cargo tray to the seat back hinge panel.



3. Reposition seats to their original position.
4. Cargo trays complete.

Rear Compartment Floor Mat Package Installation (GMC)

[Installation Instructions Part Number](#)

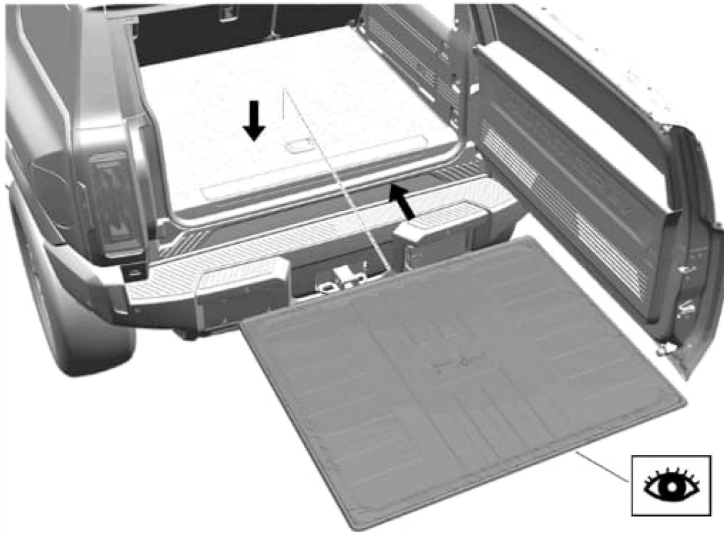
84116463

Kit Contents

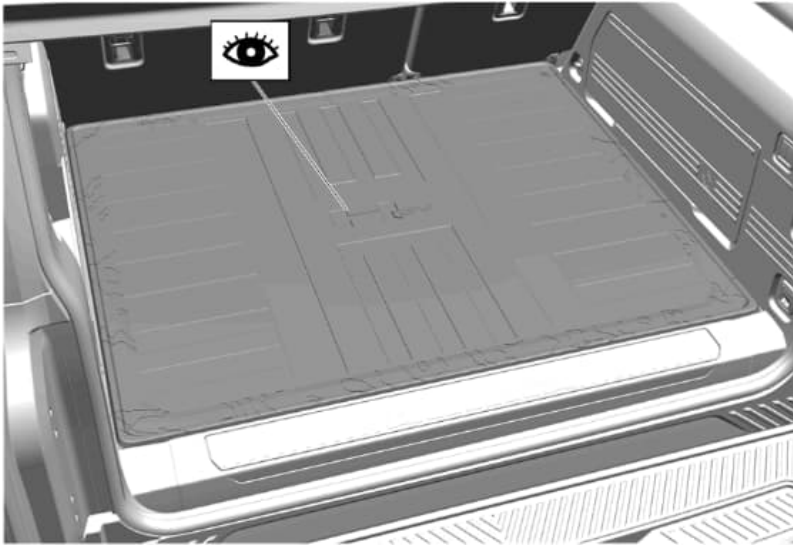


[Procedure](#)

1. Open rear gate.



2. Install the cargo mat to the load floor.



3. Cargo mat installation complete.
4. Close rear gate.