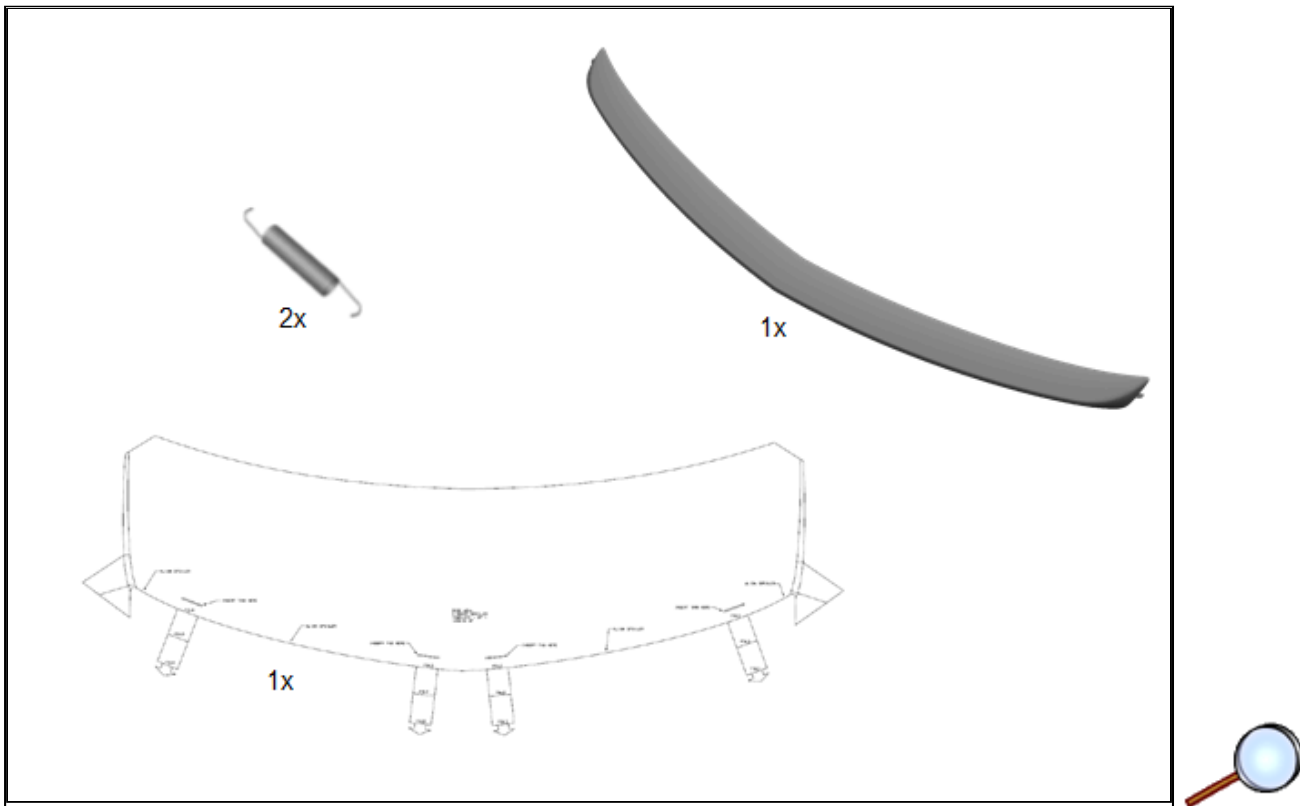


Rear End Spoiler Package Installation

Installation Instructions Part Number

84131597

[Kit Contents](#)



[Tools Required](#)

Measuring Tape

Solvent Pack

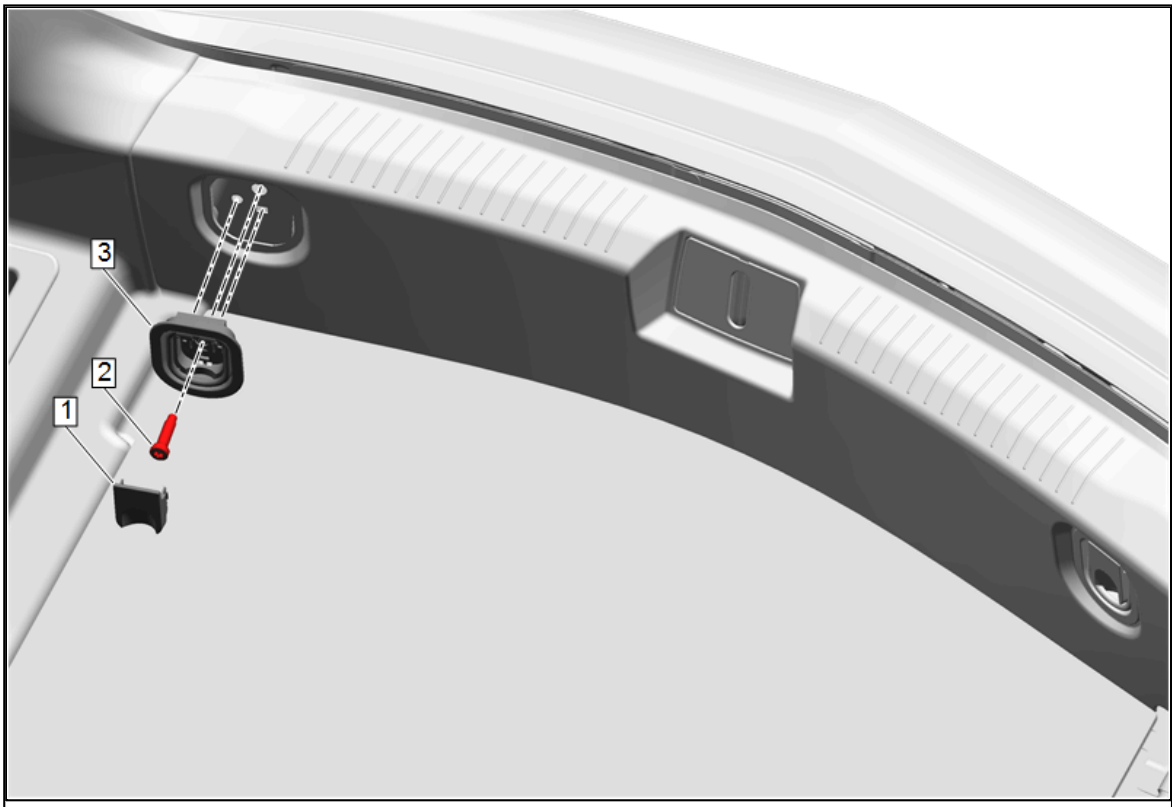
Masking Tape

Rubber Roller

DOW K1, DOW U400HV, or equivalent that meets performance per GMW3041

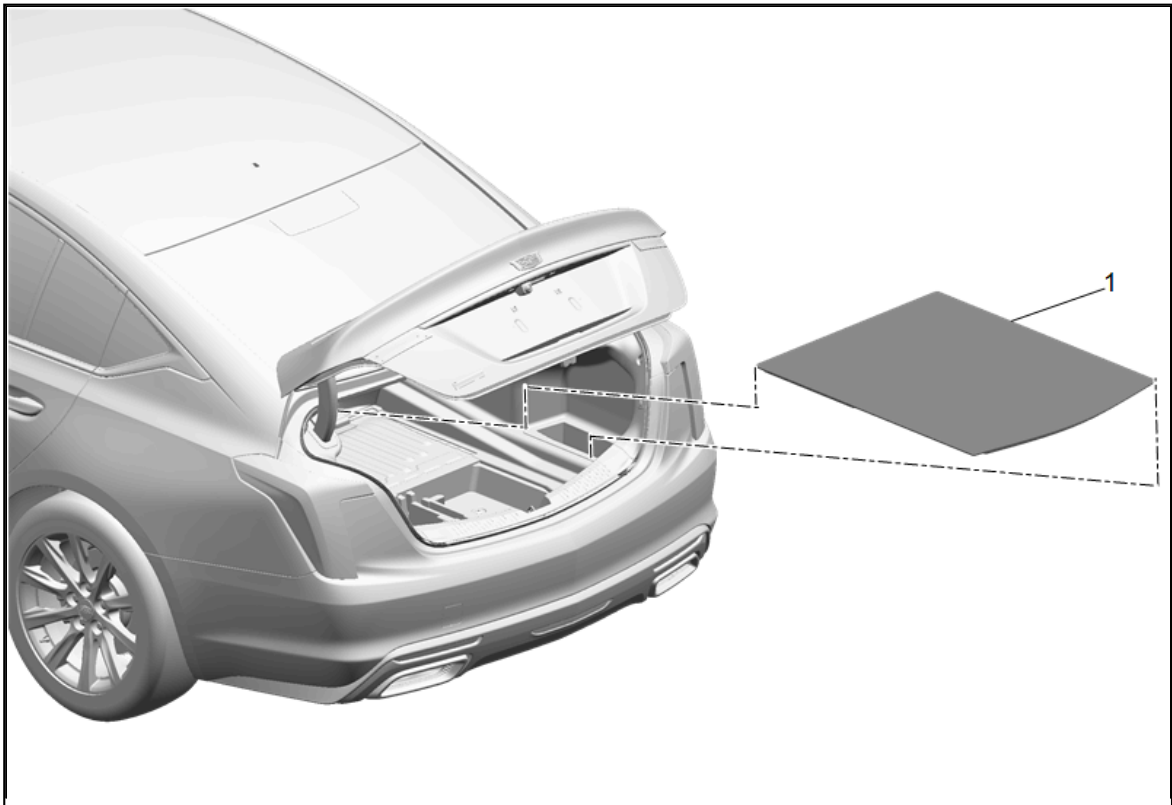
[Procedure](#)

Rear Compartment Lid Springs

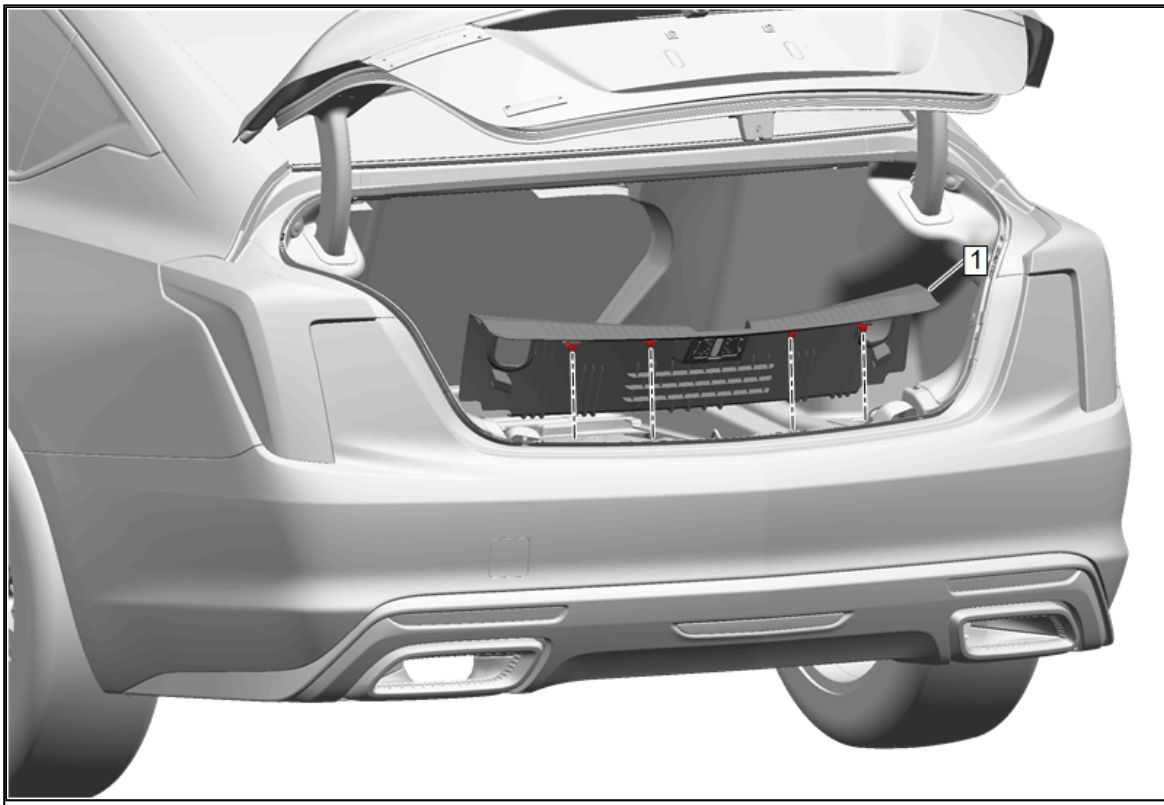


Note: Use a small flat-bladed tool to disengage integral tabs on cargo tie down loop bolt cap

1. Cargo Tie Down Loop Bolt Cap (1) » Remove [2x]
2. Cargo Tie Down Loop Bolt(2) » Remove [2x]
3. Cargo Tie Down Loop (3) » Remove [2x]

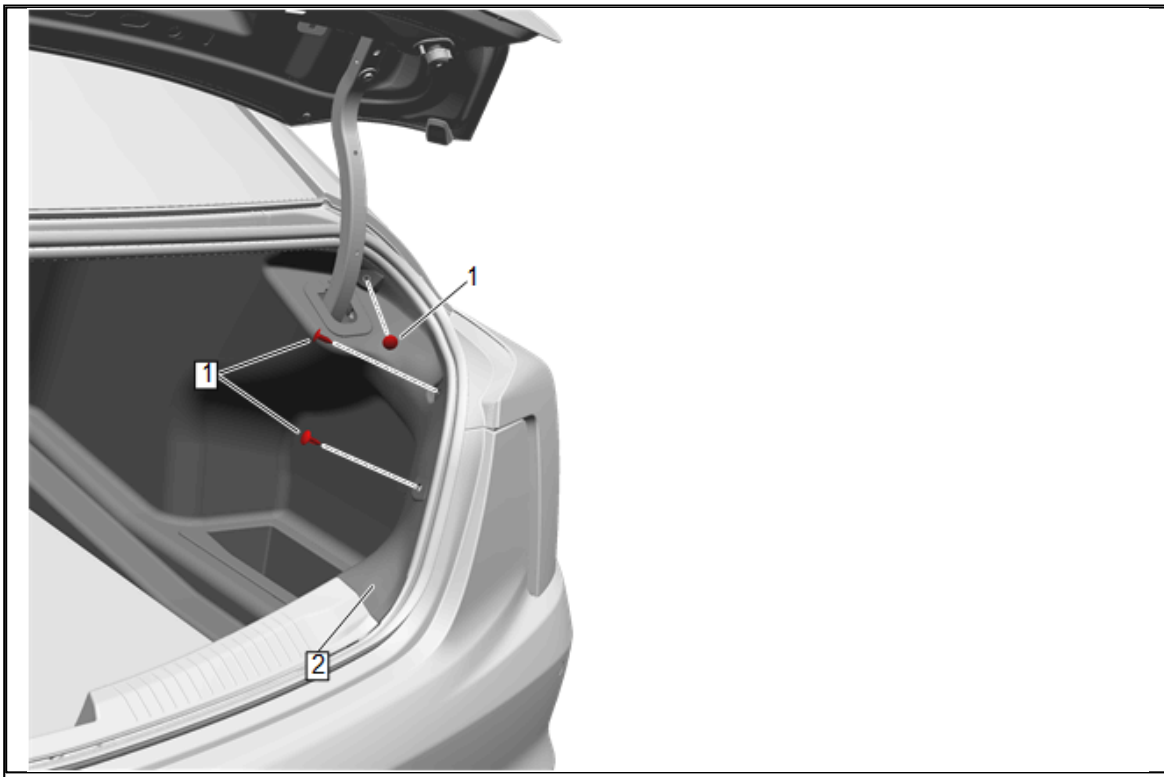


4. Rear Compartment Floor Panel Trim (1) » Remove



5. With a flat bladed plastic trim tool, disengage the integral clips.

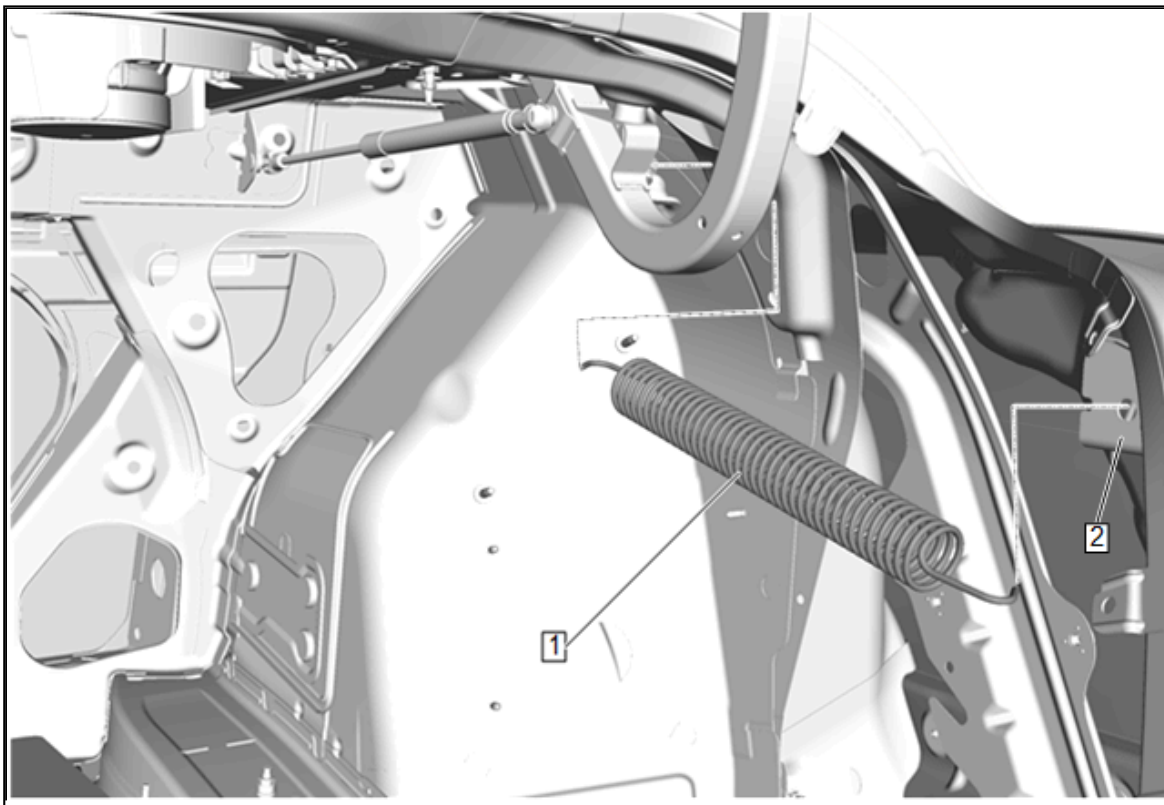
6. Rear End Trim Finish Panel (1) » Remove



7. Remove the retainers (1) from the rear compartment side trim panel. Repeat for opposite side.



8. Reposition the rear compartment side trim panel (1). Repeat for opposite side.



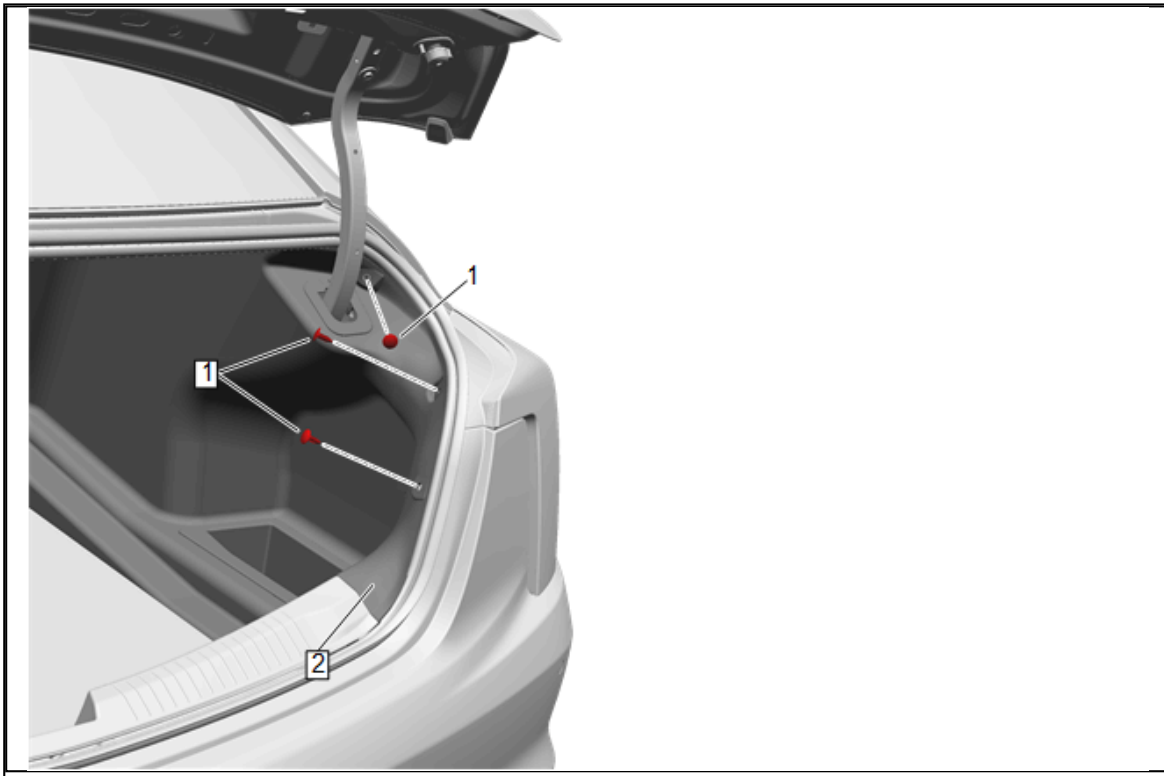
Warning: Approved safety glasses and gloves should be worn when performing this procedure to reduce the chance of personal injury.

Note: Support the rear compartment lid with a suitable prop support to keep rear compartment lid from closing once spring is removed.

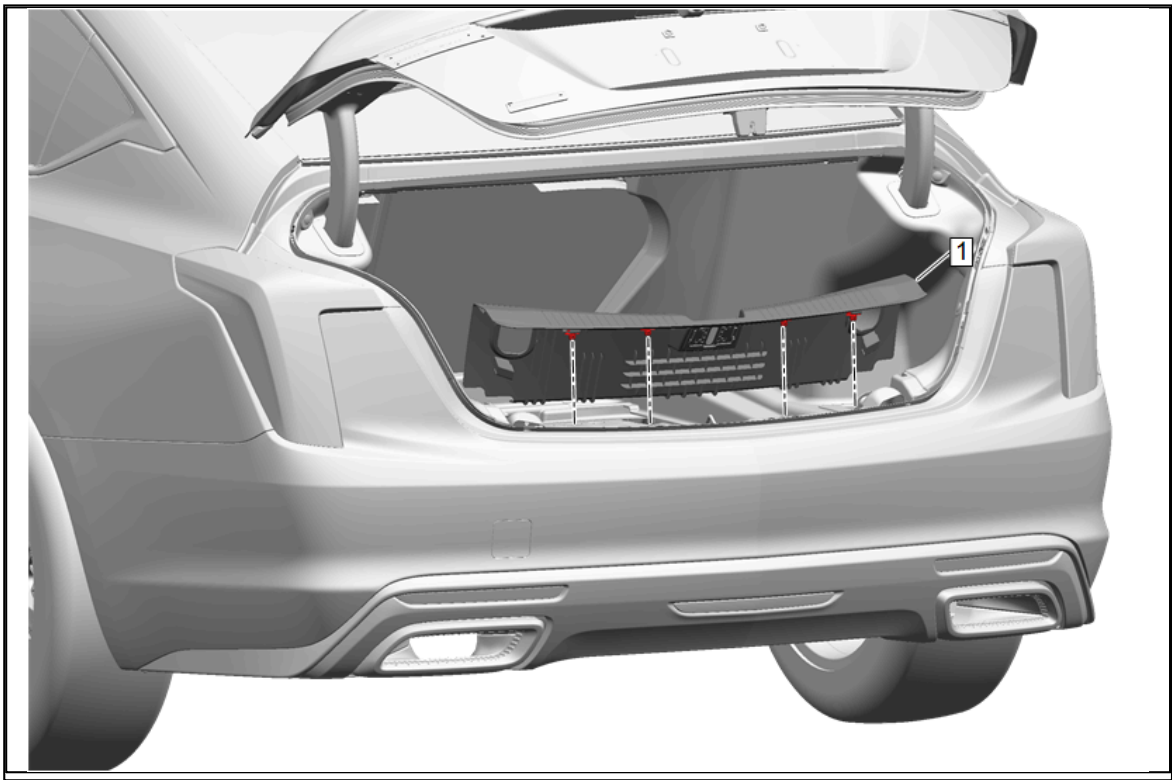
9. Pull the rear compartment lid spring (1) backwards and unhook the rear compartment lid spring from the rear compartment lid hinge spring bracket (2). Repeat for opposite side
10. Replace rear compartment lid spring with spring provided in kit. Repeat for opposite side.



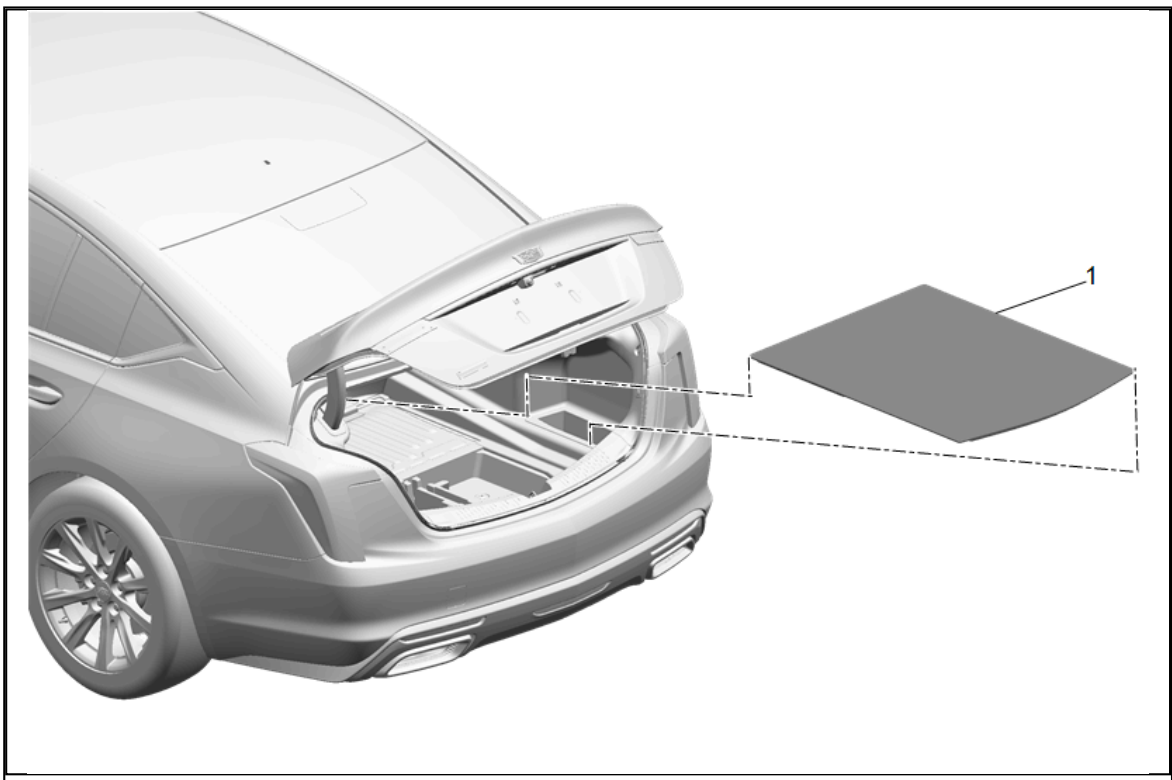
11. Reinstall the rear compartment side trim panel (1) to its original position. Repeat for opposite side.



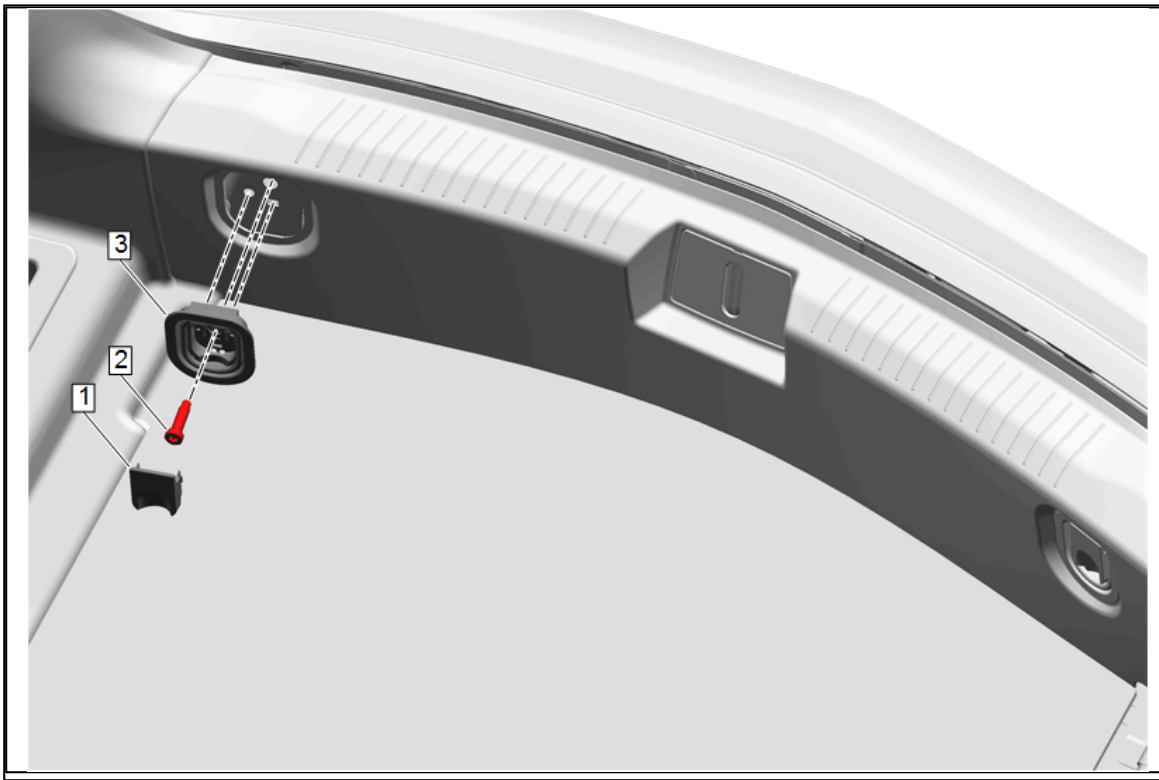
12. Reinstall the retainers (1) to the rear compartment side trim panel. Repeat for opposite side.



13. Rear End Trim Finish Panel (1) » Install



14. Rear Compartment Floor Panel Trim (1) » Install

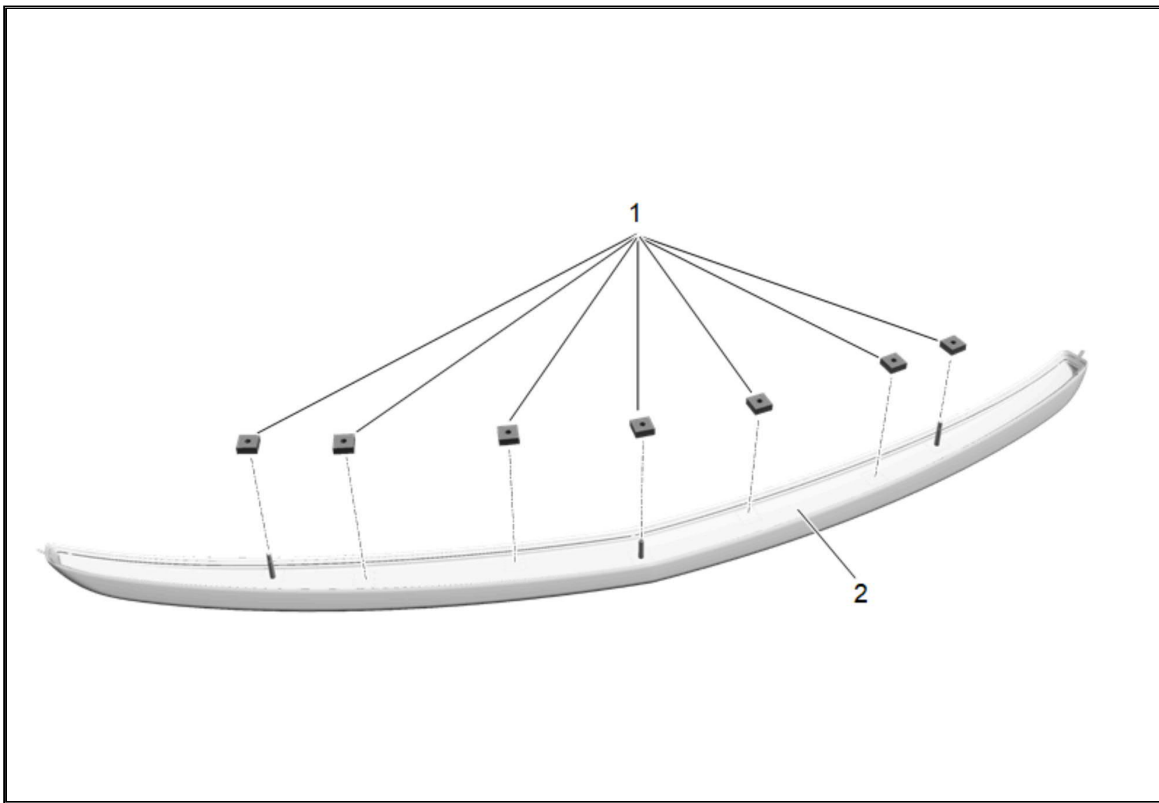


15. Cargo Tie Down Loop (3) » Install [2x]

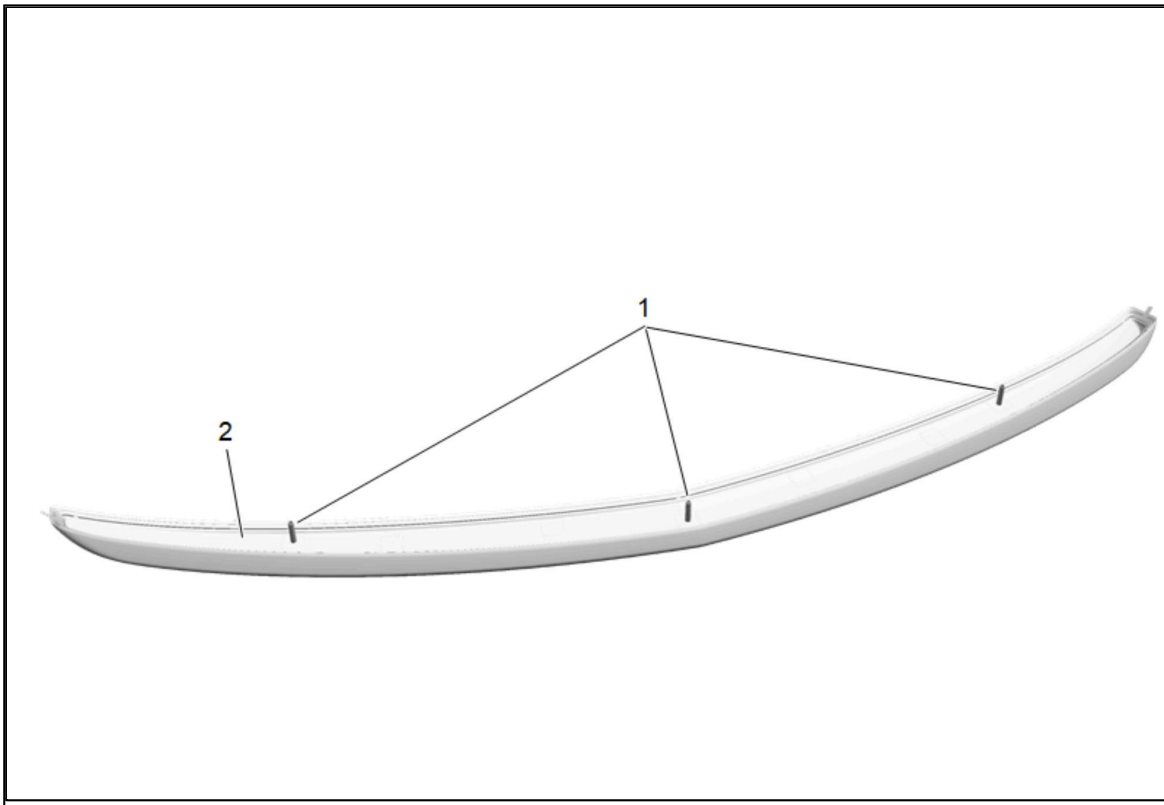
16. Cargo Tie Down Loop Bolt(2) » Install and tighten [2x] — [Fastener Specifications](#)

17. Cargo Tie Down Loop Bolt Cap (1) » Install [2x]

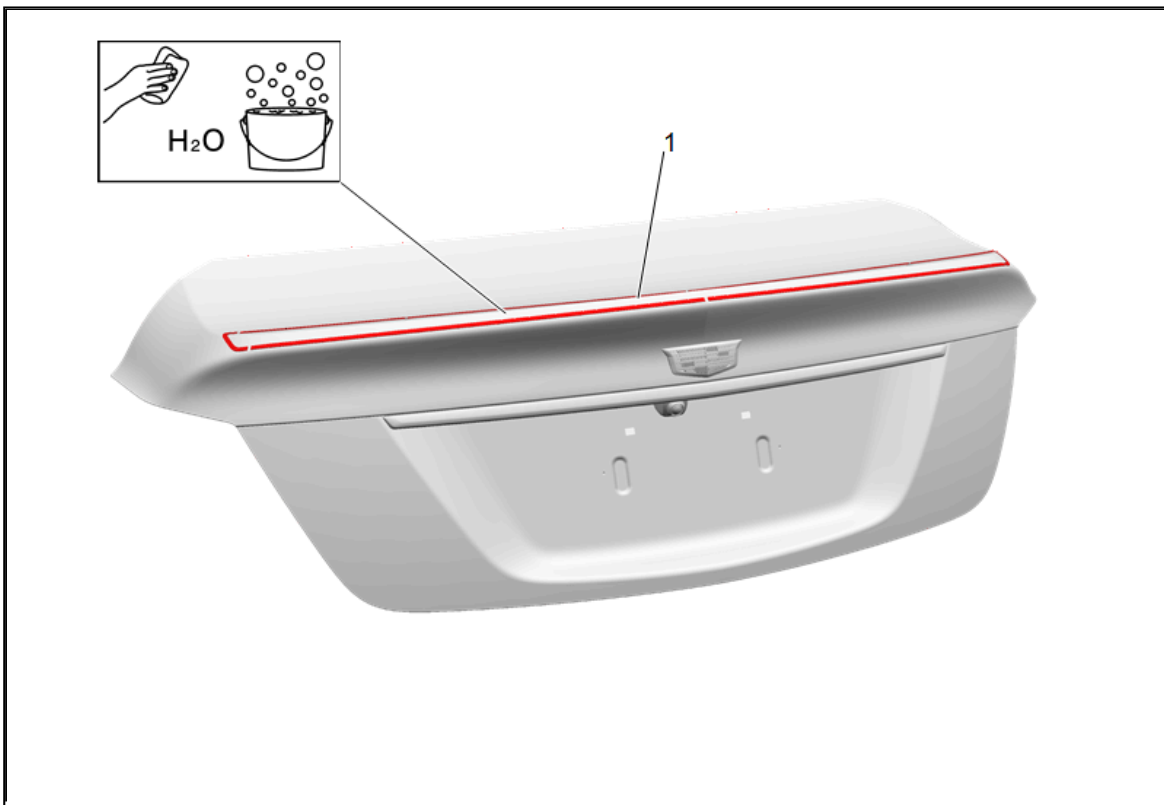
Spoiler



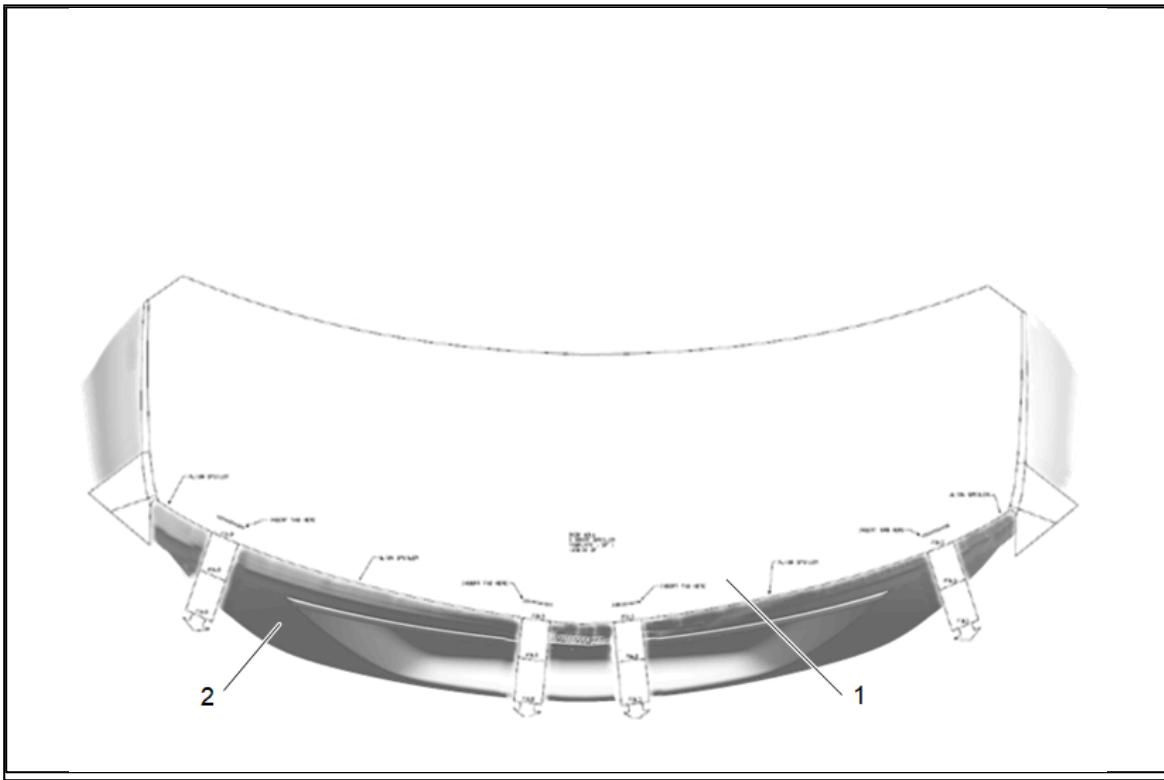
1. Remove and discard all 7 foam gaskets (1) from spoiler (2). Ensure all foam is removed from the spoiler.



2. Using side cutters, cut the locating pins (1) off of the spoiler (2). Ensure the pins are cut as flush as possible with the bottom of the spoiler and do not rise above tape line.

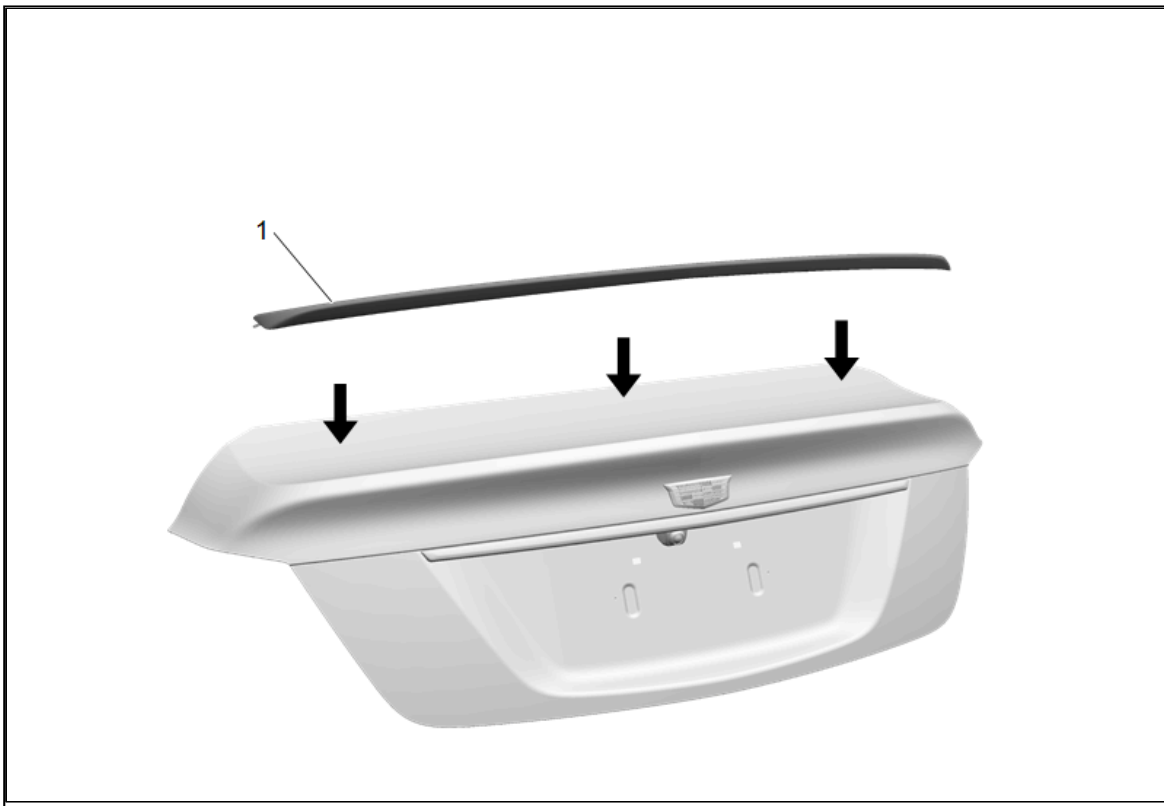


3. Using soap and water, wash the rear compartment lid area (1) where spoiler is to be installed.

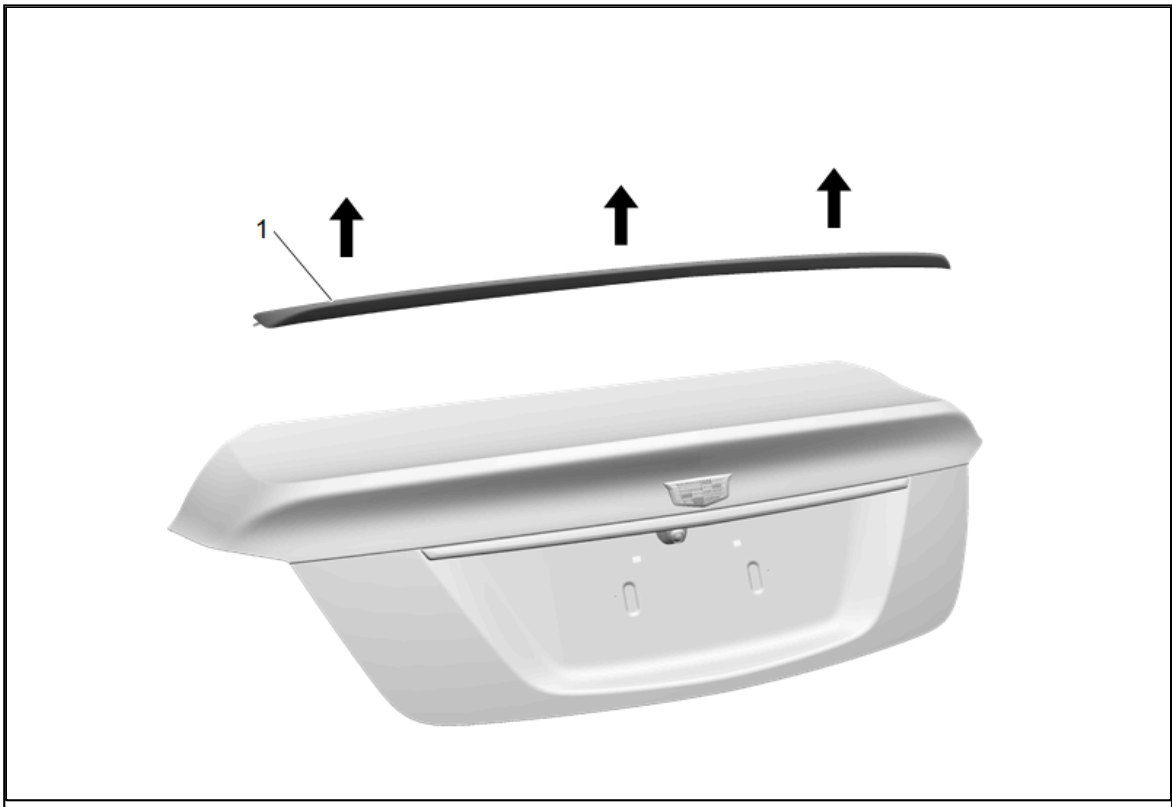


Note: Template is a die cut template.

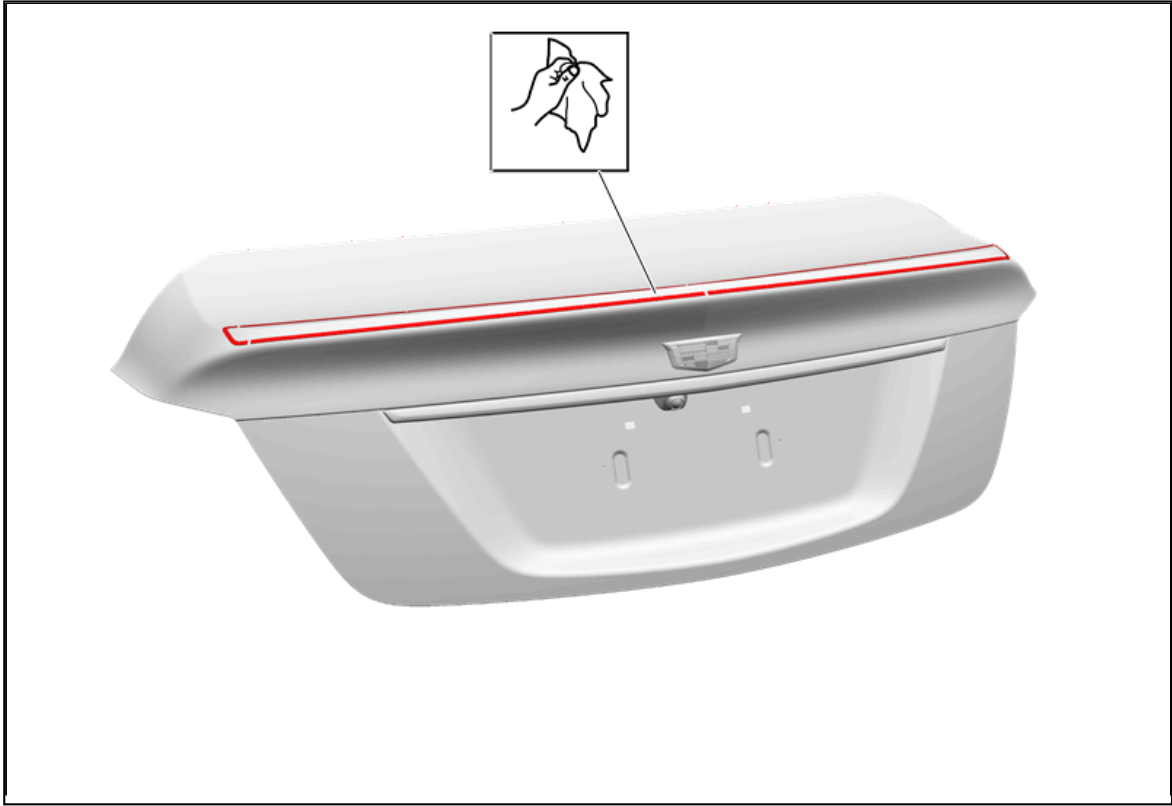
4. Position template (1) on rear compartment lid (2). Follow the directions on the template for layout procedure.
5. Verify all 4 fold tabs are folded upwards and tabs are securely inserted into insert slots.



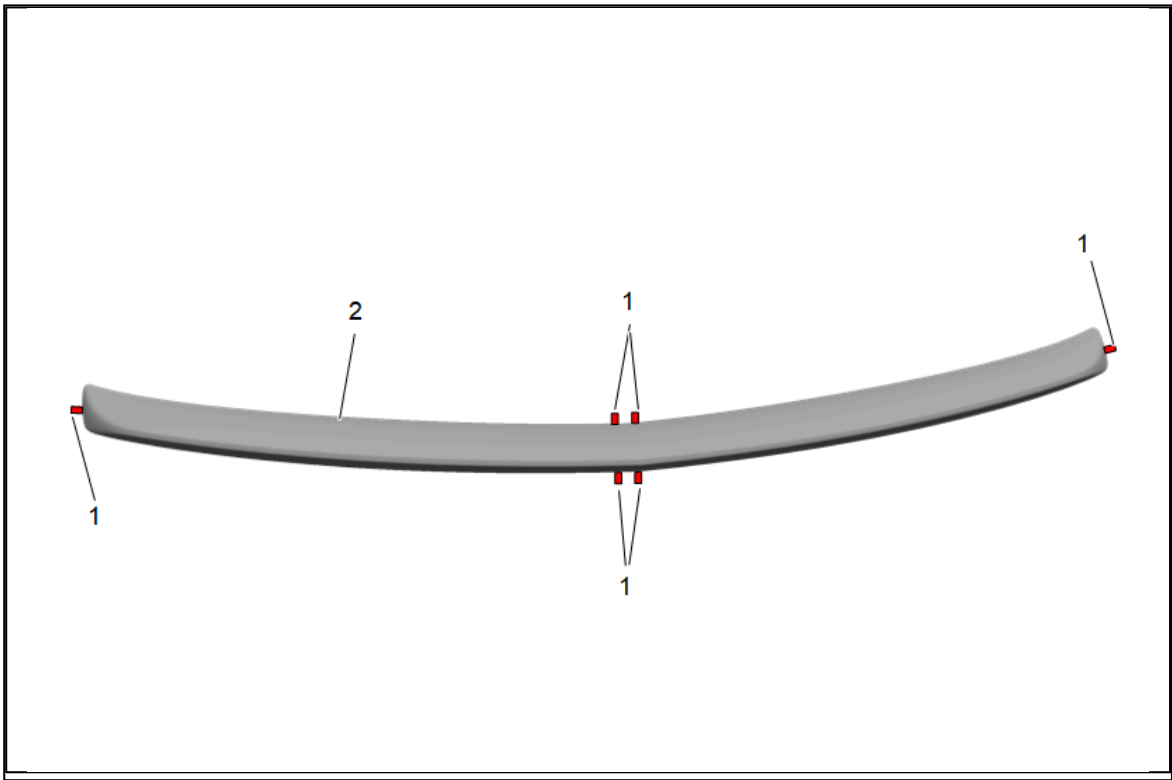
6. Verify spoiler (1) fits rear compartment lid and aligned with the template tabs for spoiler.



7. Remove spoiler (1) and set aside.

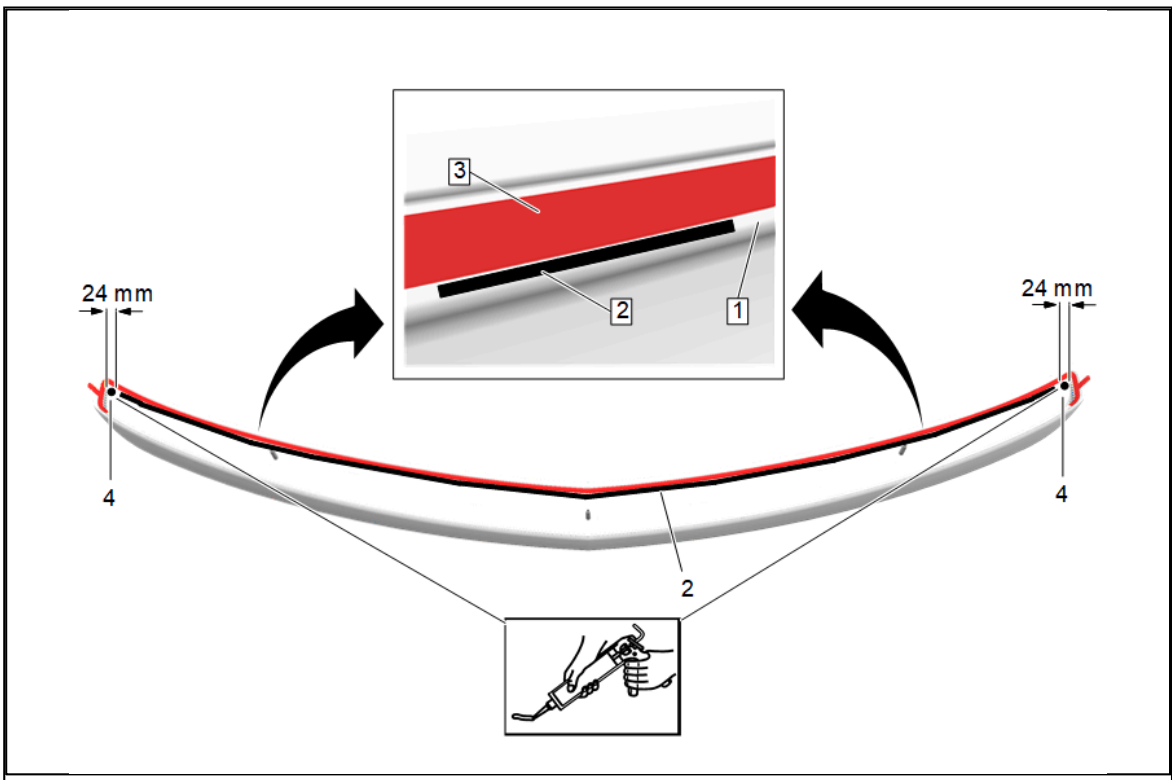


8. Clean rear compartment lid area with solvent pack.



Note: Prep urethane gun before removing tape. Cut slits in urethane gun top, instead of the traditional method of lopping off top of plastic tip.

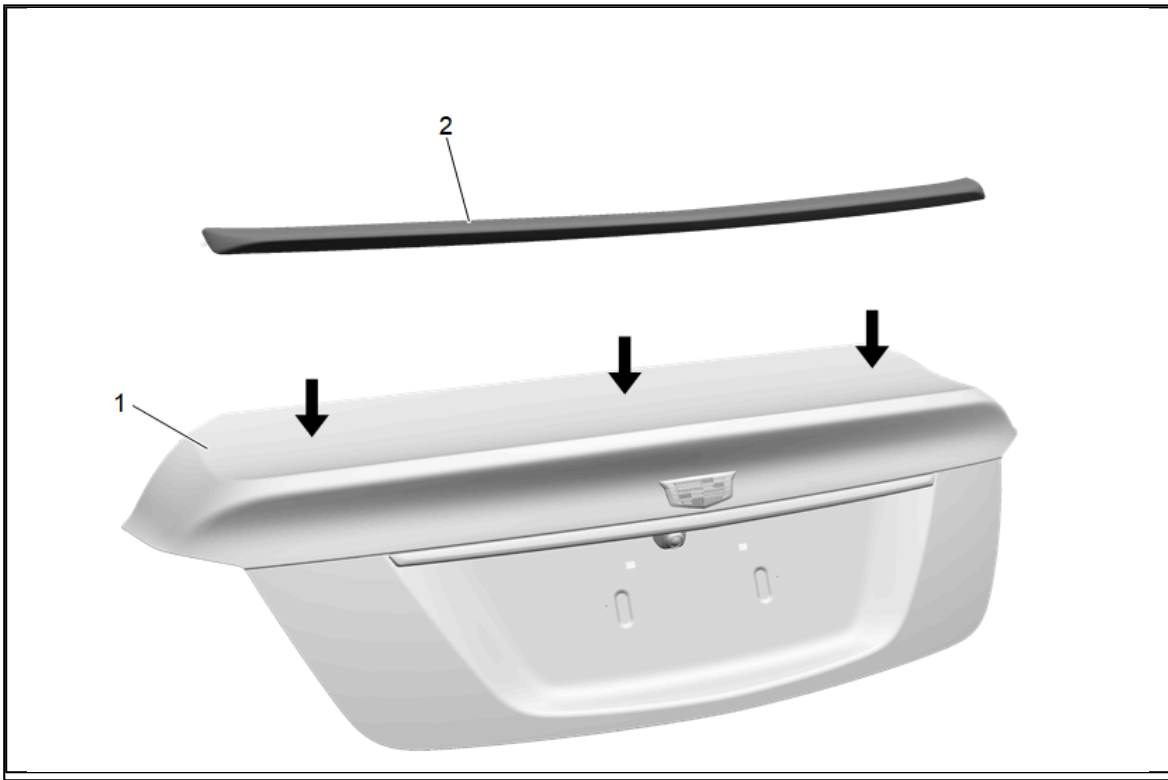
9. Pull and remove tape tab adhesive liners (1) from the adhesive tape on spoiler (2).



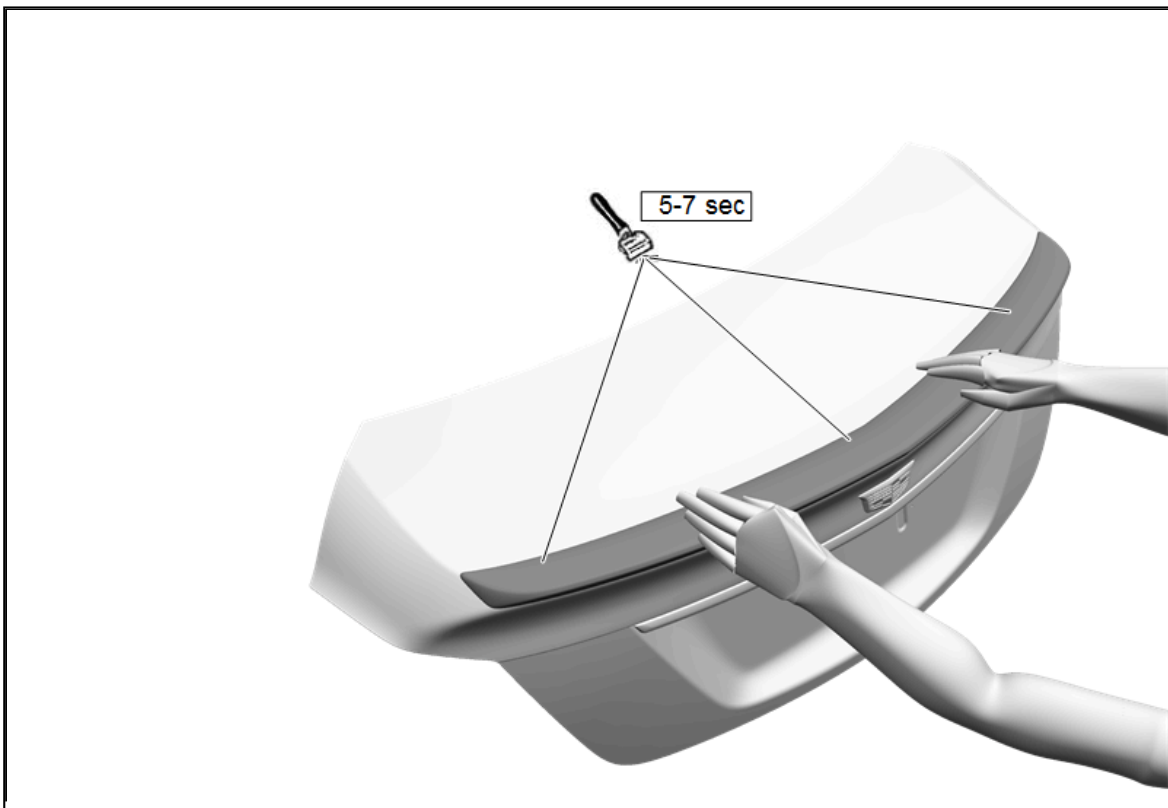
Note: Adhesive system to be DOW K1, DOW U400HV, or equivalent that meets performance per GMW3041. Please check the expiration date prior to starting installation of spoiler.

Note: Urethane must be applied only to inner ridge near the tape to avoid "squeeze-out" past the spoiler onto the exposed rear compartment lid.

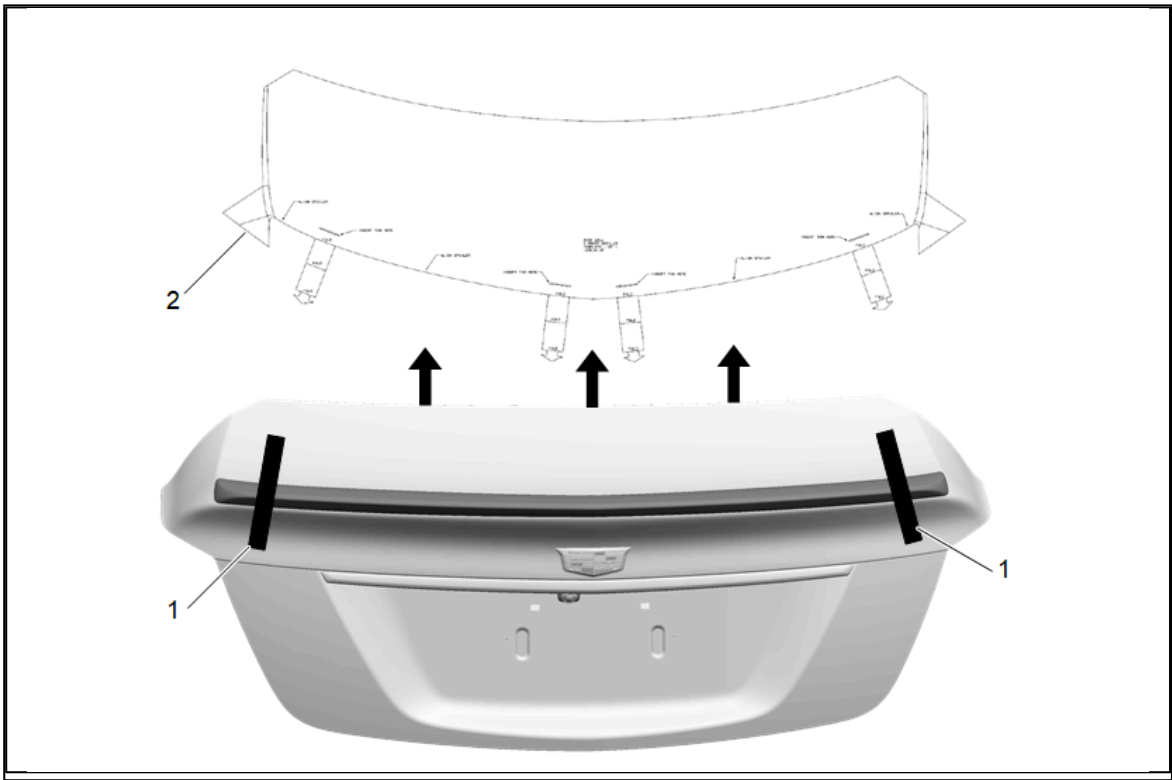
10. Apply a 6mm diameter continuous bead of urethane (2) to the inner ridge (1) near the tape (3) on the inner ridge side of the spoiler. Apply an additional 24mm dollop of urethane (4) in the corners just past the continuous urethane bead.



11. Fit the spoiler (2) to the rear compartment lid (1). Ensure the spoiler does not catch the template underneath while setting into position.



12. Apply pressure to entire spoiler surface. Ensure that the tape is wet out. In order to proper wet out, please use a roller to apply even pressure to the top of the spoiler.



13. Remove template (2).

14. Apply masking tape (1) to each end of spoiler to temporarily hold into position. After total install, allow urethane to cure for 24 hours. Let vehicle sit at room temperature and **DO NOT WASH**.