

Rear Mud Flap Package Installation (Instruction ID: 84232533)

Installation Instructions Part Number

84232533

Note: Please read instructions thoroughly before starting.

Rear Mud Flap Kit Contents

Qty	Description
1	Left Hand Mud Flap
1	Right Hand Mud Flap
8	M4.2 x 25 Screw with Washer
4	M4.2 U-Nut
1	Installation Instructions

© 2024 General Motors. All rights reserved.

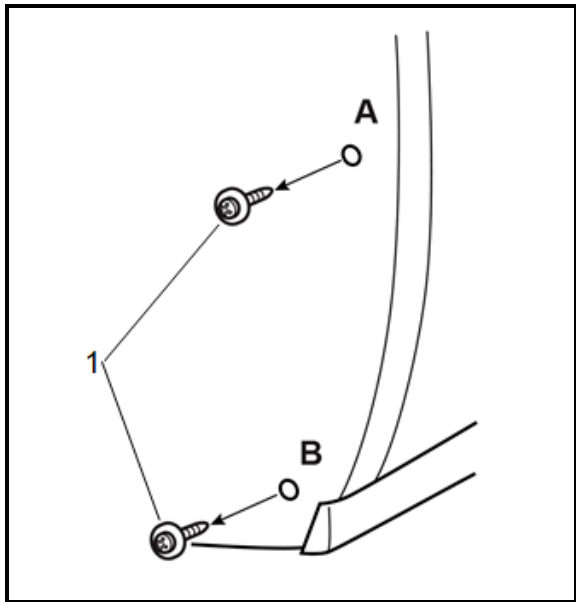
Tools Required

- T15 Screw Driver
- T20 Screw Driver
- Drill
- 13/64" (5.0 mm) Drill Bit
- Awl
- Clean Cloth/Rag
- Isopropyl Alcohol

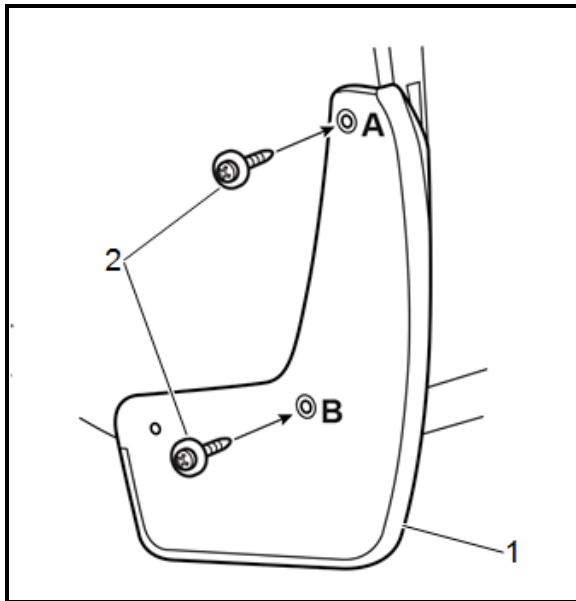
Note: Do not use power tools to install mud flap fasteners.

Installation Procedure

1. Remove rear wheel and tire assembly. Refer to [Tire and Wheel Removal and Installation](#) in Vehicle Service Manual.
2. Clean and degrease body panel where mud flaps are to be located.
3. Using isopropyl alcohol, clean area where tape will contact body panel.

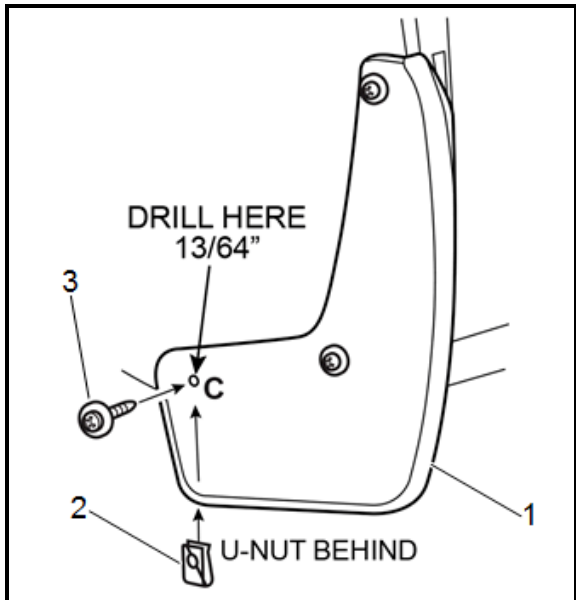


4. Remove existing screw (1) from location (A) and (B) and discard.



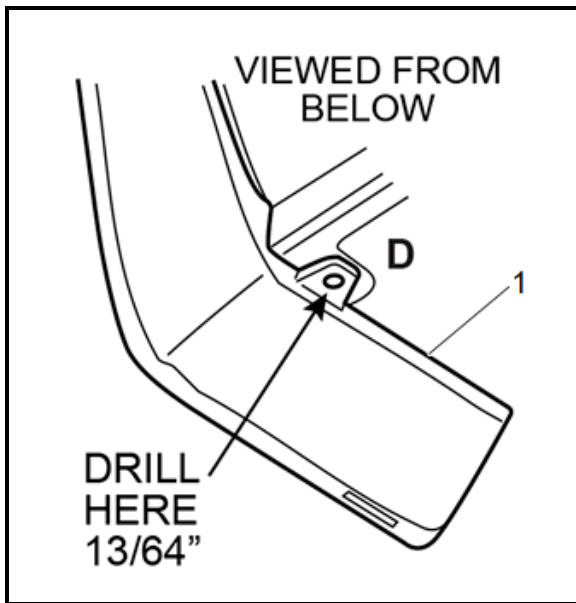
Caution: Use the correct fastener in the correct location. Replacement fasteners must be the correct part number for that application. Fasteners requiring replacement or fasteners requiring the use of thread locking compound or sealant are identified in the service procedure. Do not use paints, lubricants, or corrosion inhibitors on fasteners or fastener joint surfaces unless specified. These coatings affect fastener torque and joint clamping force and may damage the fastener. Use the correct tightening sequence and specifications when installing fasteners in order to avoid damage to parts and systems.

5. Place mud flap assembly (1) to the vehicle, make sure red tape pull tab is accessible, and install supplied screws (2) at locations (A) & (B).

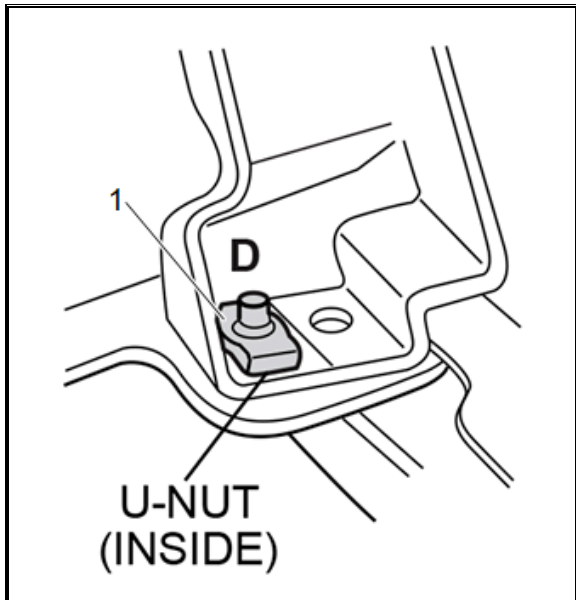


Caution: Always check scale, size and position of all templates before drilling. Failing to do so may cause damage to the vehicle, misalignment of components or the inability to install the accessory.

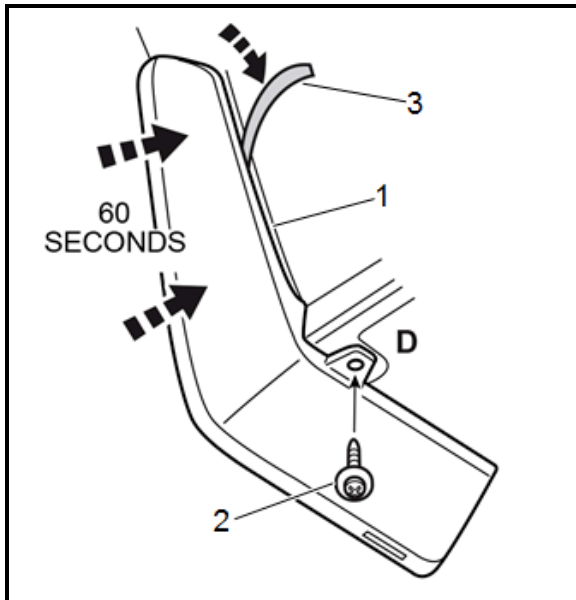
6. Using the existing hole at location (C) as a pilot, carefully drill a 13/64" (5.0 mm) hole through the mud flap (1) and wheel liner.
7. Place a U-Nut (2) behind the wheel liner and install screw (3) at location (C).



8. While pulling mud flap (1) rearward and inboard to insure no gaps, drill a 13/64" (5.0 mm) hole at location (D). Drill hole through mud flap and fascia.



9. Install supplied U-nut (1) onto fascia bracket at location (D) using an awl to align the U-nut with the drilled hole.



10. Install supplied screw (2) in the drilled hole from Step 8 at location (D).
11. Remove tape pull tab (3) and apply firm pressure to the mud flap (1) along the tape line to adhere the tape to the fender. Apply firm pressure for a minimum of 60 seconds to properly adhere the tape.
12. Install rear wheel and tire assembly. Refer to [Tire and Wheel Removal and Installation](#) in Vehicle Service Manual.
13. Repeat procedure for other side.

Note: Mud flaps can be cleaned with any commercially available cleaner.

Note: Max torque on M4.2 Screw is 3.0 N m.