

# Front Grille Emblem Package Installation (Light Duty Truck)

**Note:** For Heavy Duty Truck, see section at the end of the Light Duty Truck Instructions.

## Installation Instructions Part Number

84246340

### Kit Contents

Qty	Description
1	Emblem Assembly GMC – Front Grille Illuminated
1	Harness
5	Tie Strap
5	Tie Strap Clips
1	Emblem Assembly GMC – Endgate
1	Installation Instructions

### Tools Required

Suitable small flat-bladed tool

Suitable plastic flat-bladed tool

### Before you start

**Note:** For the nameplate to adhere best, the vehicle's mating surface (doors, rear compartment, etc.) should be free of damage (dents, scratches, creases, fractures, etc.).



**Caution:** Do not use heat gun/hair dryer or apply excessive heat to the emblem/nameplate as this may damage the paint and surrounding panel surfaces during removal



**Caution:** Use a plastic, flat-bladed tool to prevent paint damage when removing an emblem/nameplate. Do not use fishing line to remove nameplate as this may worsen the tape residue cleaning process. Use Isopropyl Alcohol and Lint Free Cloth to remove tape residue. Heavy foam/adhesive residue remaining on the painted surface can be removed using 3M's Scotch-Brite™ Molding Adhesive and Stripe Removal 4-inch Foam Disc. DO NOT use hard Stripe off wheel.

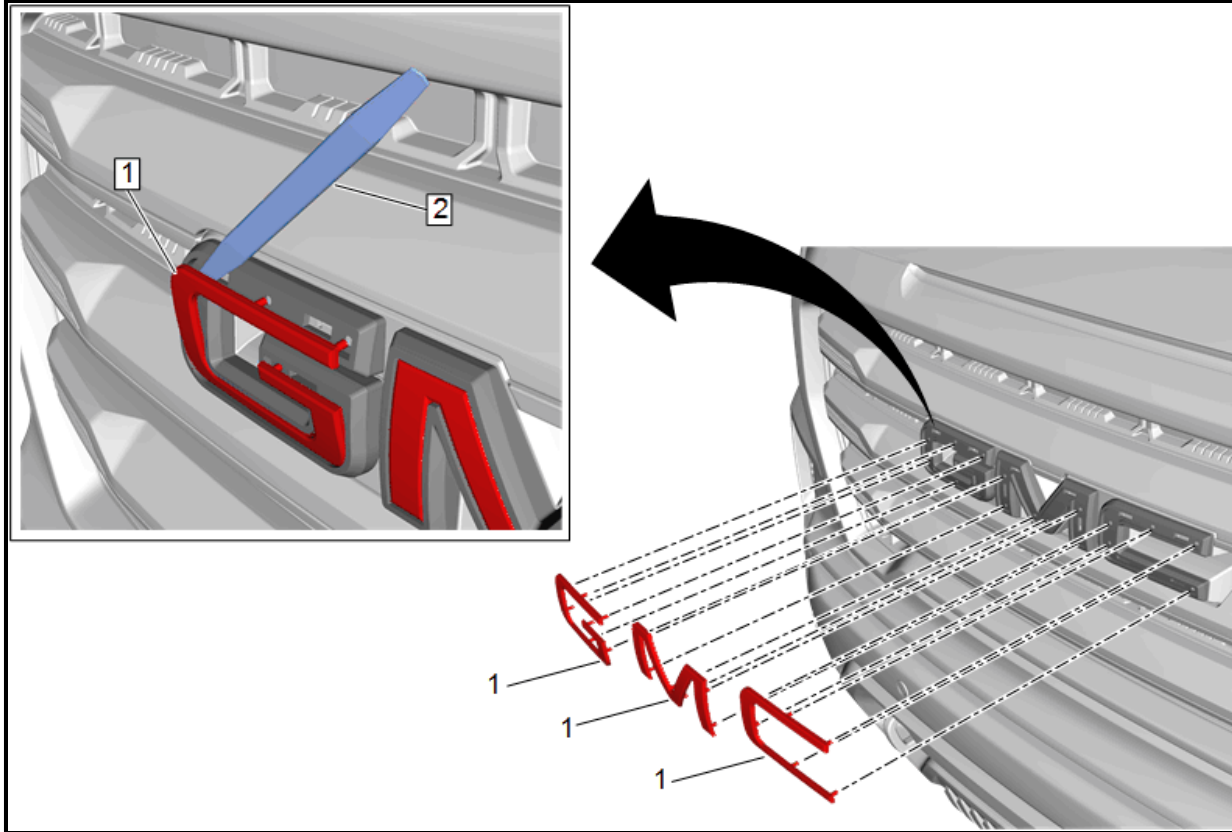
**Caution:** Only install nameplates as a direct replacement of the existing vehicle content.

1. The part and surface should be 21 °C (70°F) prior to installation. The vehicle should remain 21 °C (70°F) for one hour after assembly to allow adhesive to develop sufficient bond strength.
2. Wash the vehicle mating surfaces with a non-petroleum based cleaning product. If a stronger cleaner is required to remove any contaminates, use 3M® general purpose Adhesive Cleaner (P/N 08984). Then, thoroughly dry with a soft clean cloth.

## Procedure

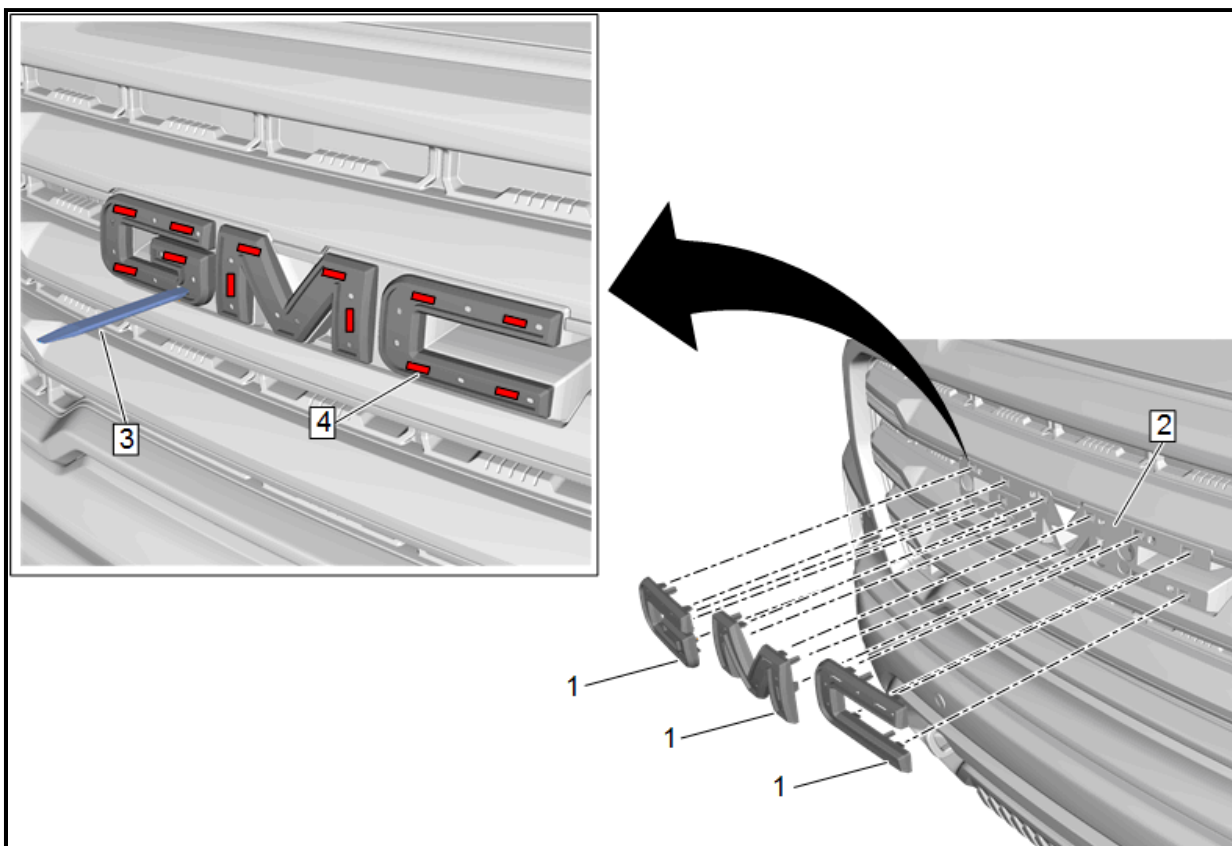
### Front GMC Emblem Replacement

1. Read all instructions before performing procedure.
2. Inspect kit to verify all parts are included.
3. Turn off the vehicle.

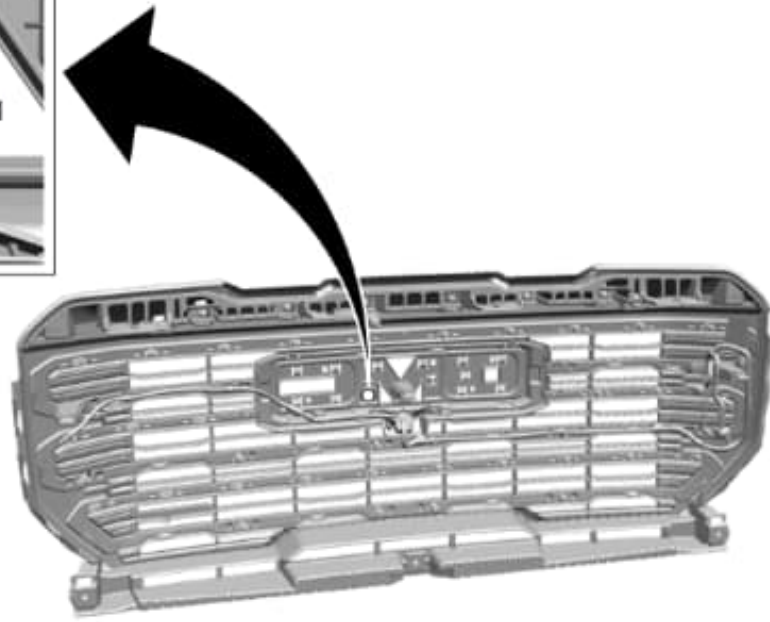
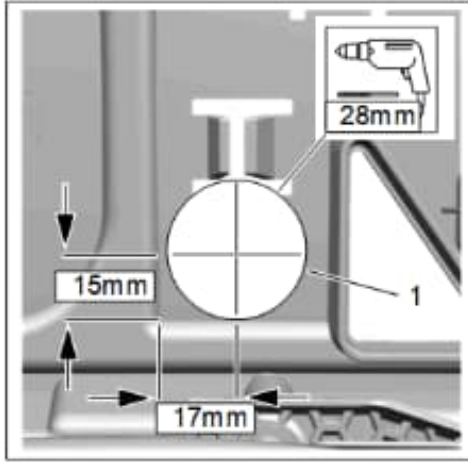


**Note:** Red emblems will be damaged and not suitable for re-use.

4. Using a suitable flat-bladed tool (2), carefully remove the red emblem insert (1) from each letter.



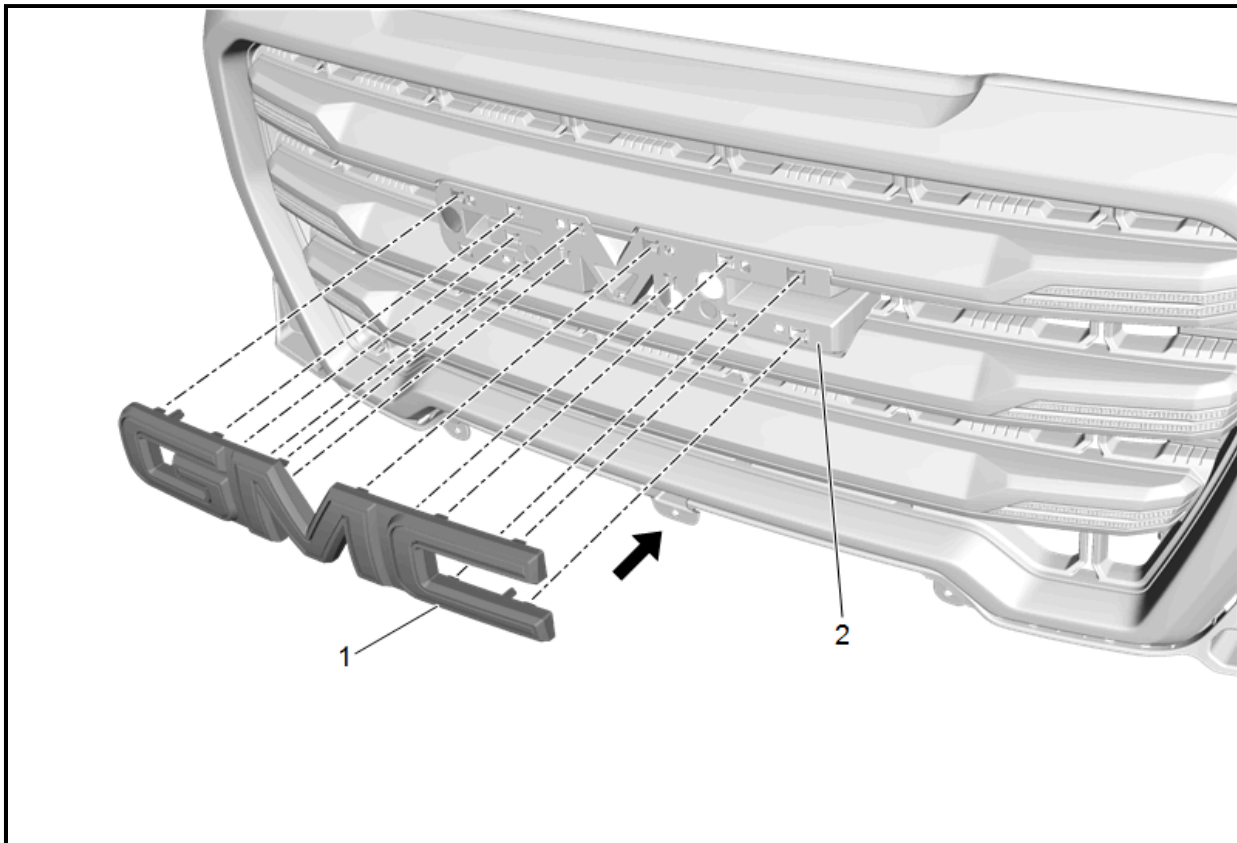
5. Using a suitable small flat bladed tool (3), carefully release the retention clips (4) and remove each letter (1) from grille (2). Be careful to avoid damage to the retaining tabs in the grille (2), as this may result in loose fit of the new emblems.
6. Remove the front grille and necessary components. Refer to [Front Grille Replacement](#) in Vehicle Service Manual.



**Note:** Vehicles without AT4X Package do not require to drill hole, this step only applies to vehicles with AT4X Package.

**Caution:** Always check scale, size and position of all templates before drilling. Failing to do so may cause damage to the vehicle, misalignment of components or the inability to install the accessory.

7. Using the dimensions shown, drill/cut a 28mm opening hole (1) on the backside of grille as shown.

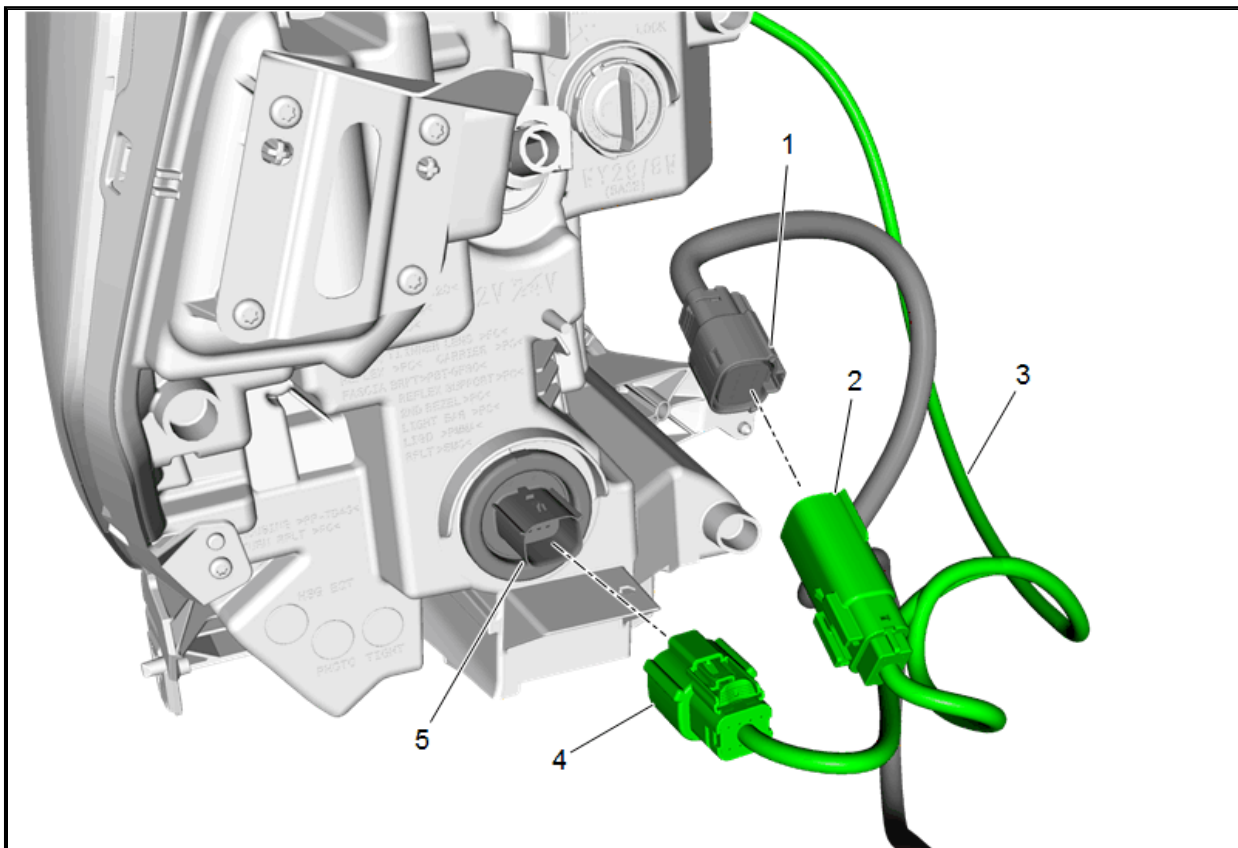


8. Accurately position the illuminated emblem from kit (1) to grille (2) using the locating pins.

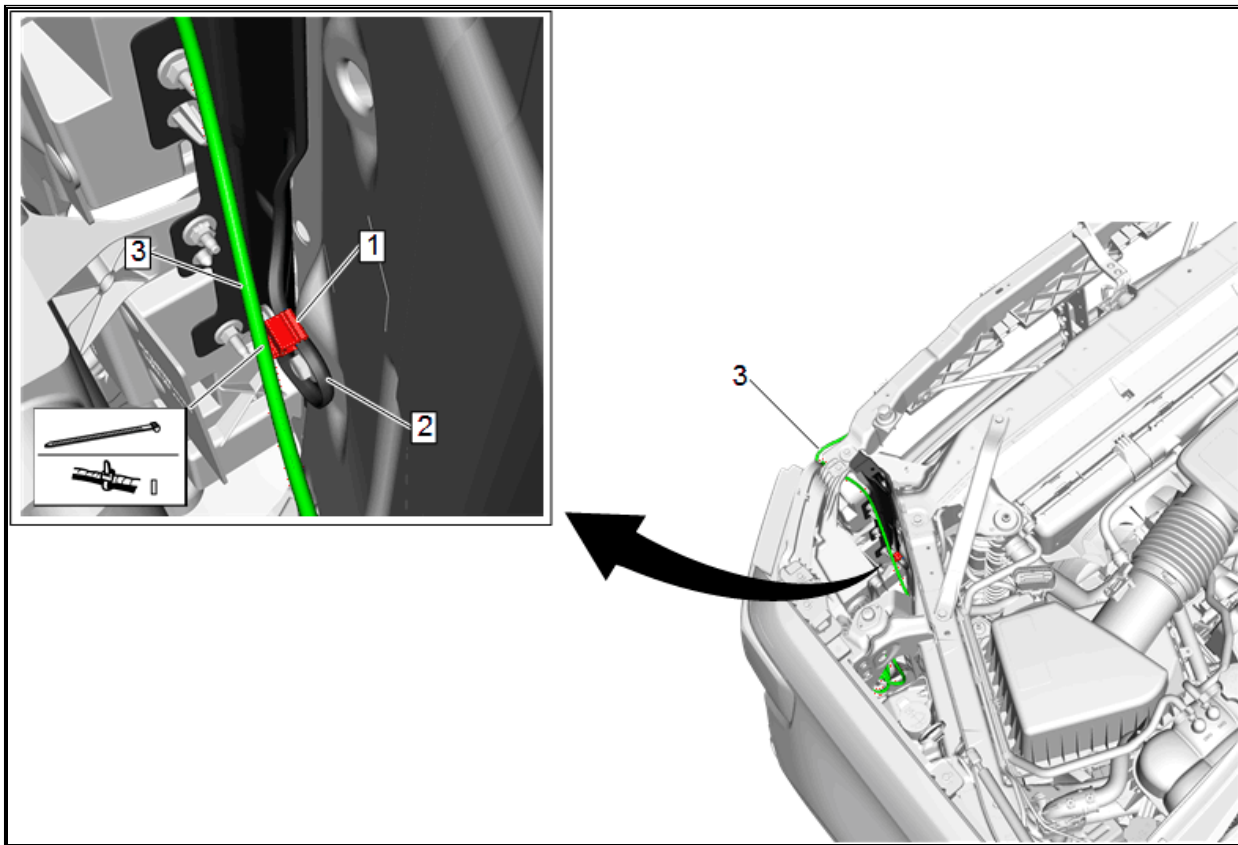
9. Install the new emblem, applying enough evenly distributed pressure to engage the locking/retention tabs.



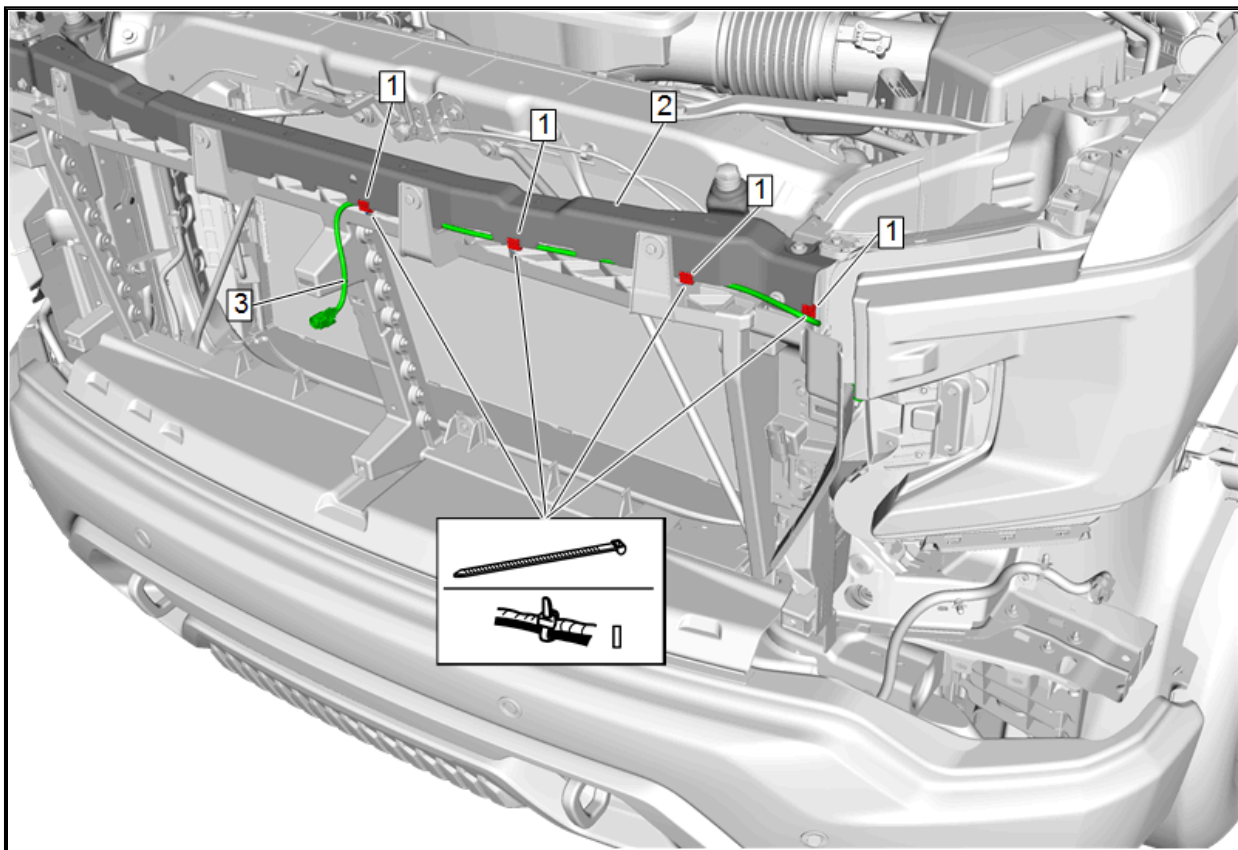
10. Verify that the emblem is fully seated and securely attached to the grille.
11. Remove the driver side headlamp assembly. Refer to [Front Headlamp Replacement](#) in Vehicle Service Manual.



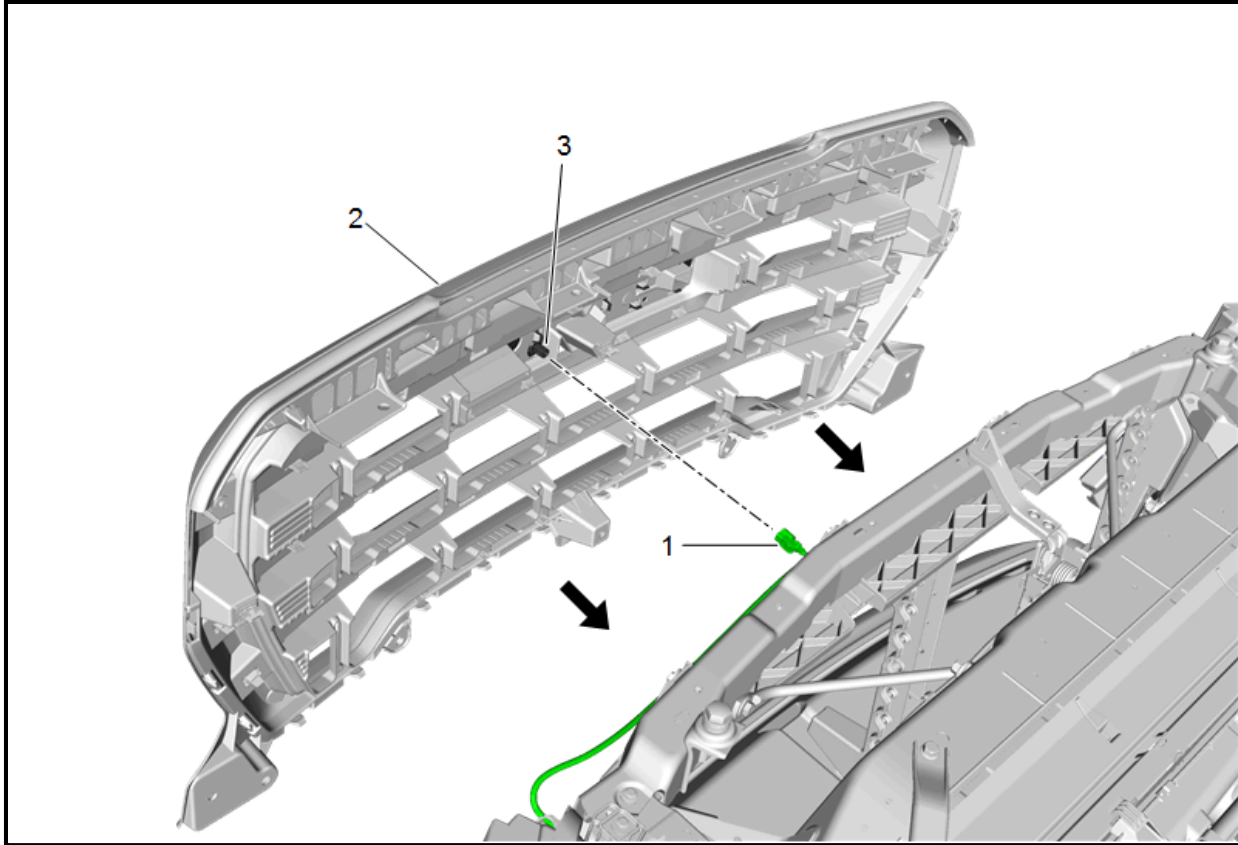
12. Connect one of the single connectors (4) of the supplied harness (3) to the driver side headlamp (5).
13. Connect the other single connector (2) of the supplied harness (3) to the headlamp harness (1).
14. Reposition wire harness and reinstall the driver side headlamp assembly. Refer to [Front Headlamp Replacement](#) in Vehicle Service Manual.



15. Route the accessory harness (3) through the opening next to the driver side headlamp.
16. Install tie strap clip (1) to the left inner support bracket (2) and secure harness (3). Secure any loose wiring with tie straps.



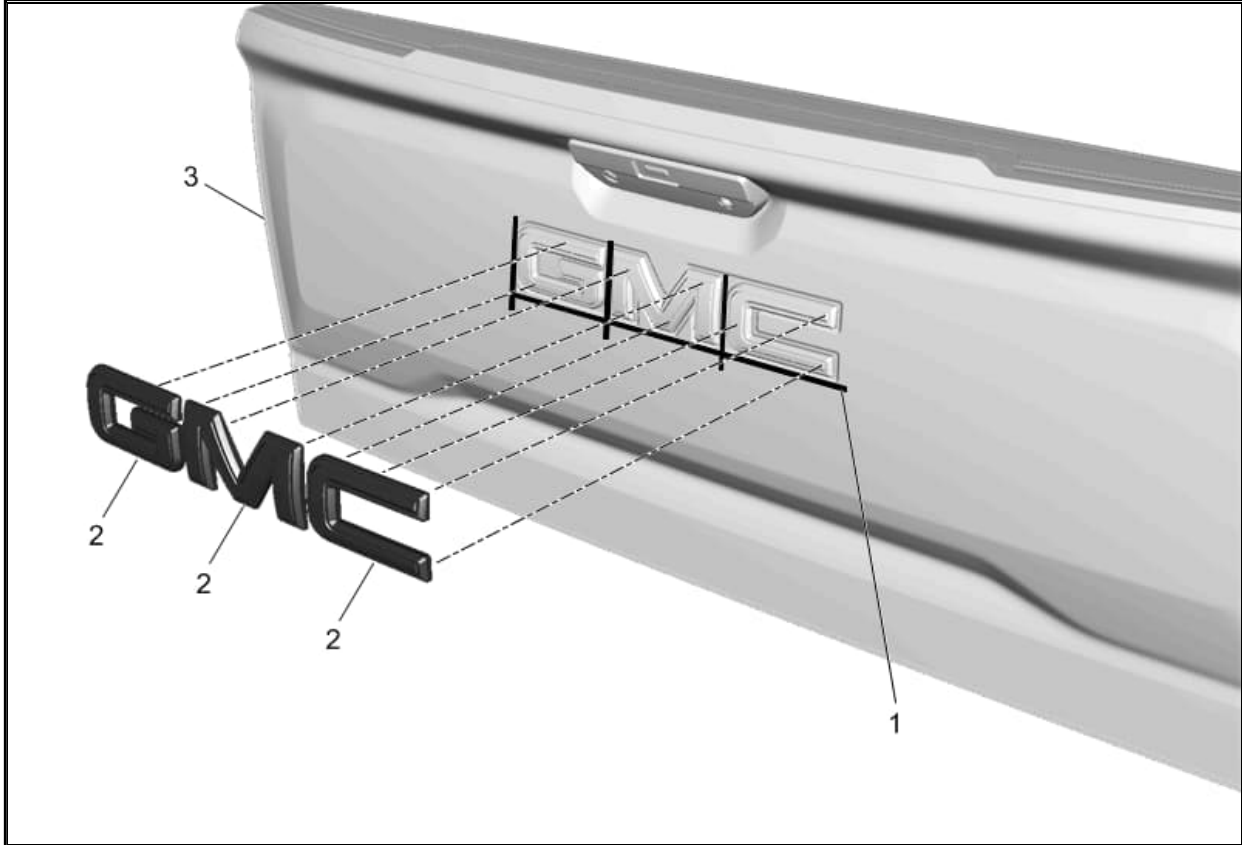
17. Install the tie strap clips (1) to the upper support (2), route accessory harness (3) towards center support and secure accessory harness (3) to the upper support (2) with tie straps.



18. Position the front grille assembly (2) to the vehicle.
19. Connect the accessory harness connector (1) to the illuminated emblem (3).
20. Re-install the front grille (2) and necessary components. Refer to [Front Grille Replacement](#) in Vehicle Service Manual.
21. Connect the fog lamp connectors, if equipped.
22. Confirm fog lamp, headlamp and grille emblem operation.
23. Aim headlamps if necessary. Refer to [Front Headlamp Aiming](#) in Vehicle Service Manual.

### **Rear GMC Emblem Replacement**

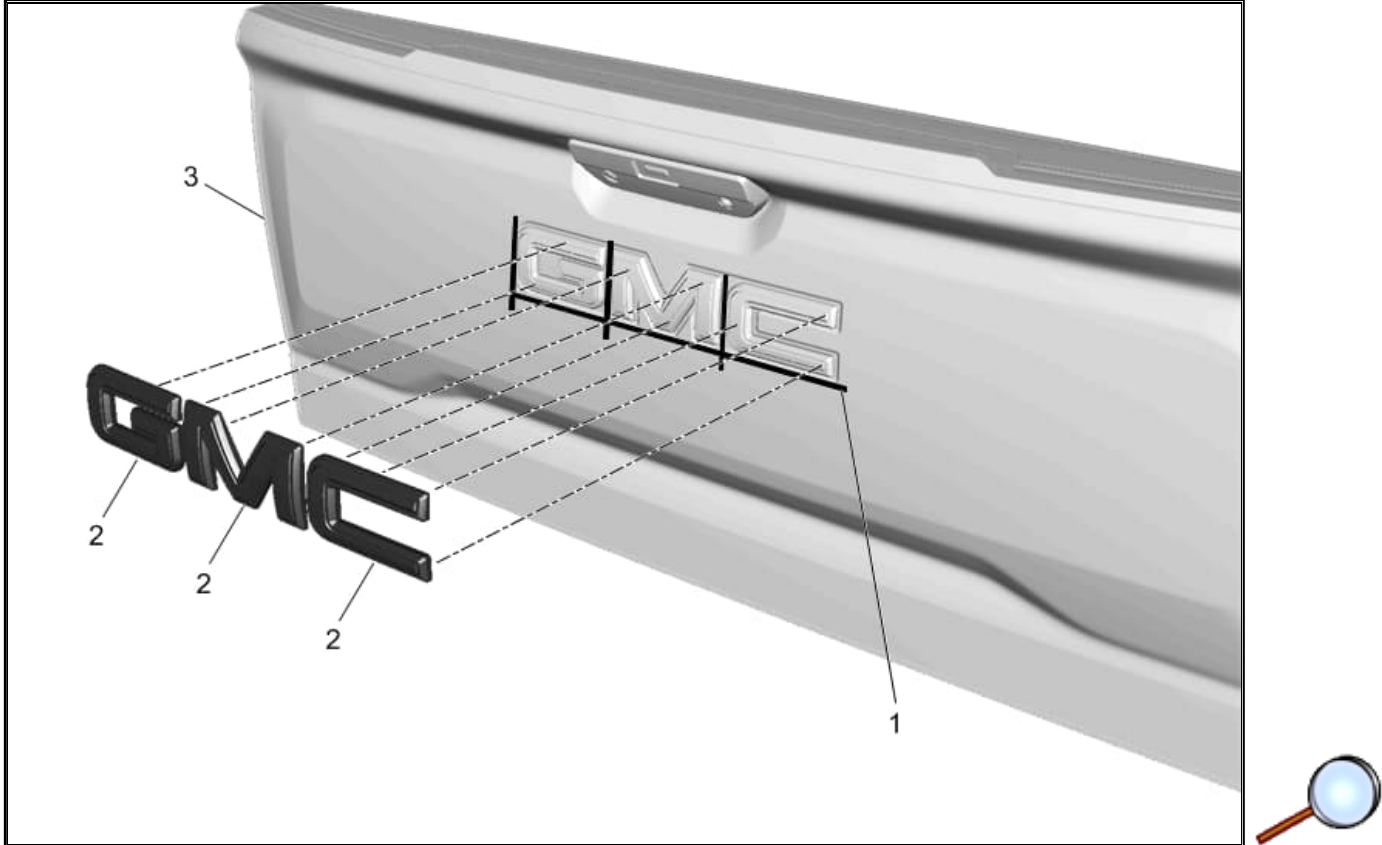
1. Turn off vehicle.
2. If the accessory package contains a rear emblem assembly:



- 2.1. Mark the position of the emblem with a washable marker or masking tape (1) prior to removal.
- 2.2. Carefully use a suitable plastic flat-bladed tool to assist in removal of the existing emblem (2) from the endgate surface (3).
- 2.3. Clean any remaining residue with a 50/50 mixture by volume of isopropyl alcohol and clean drinkable water. Wipe surface dry with a clean lint-free towel.

### 3. Installing the Rear Emblem:

- 3.1. The part surface should be 21°C (70°F) prior to installation. The vehicle should remain 21°C (70°F) for one hour after assembly to allow adhesive to develop sufficient bond strength.
- 3.2. When removing protective liners from the adhesive tape, be careful not to touch tape with hands and do not allow tape to come in contact with dirt or any foreign matter prior to adhesion.



- 3.3. Position new emblem (2) carefully within reference marks (1) and place on prepared surface of endgate (3).
- 3.4. Using the palm of the hand, apply strong pressure to all areas of the emblem to ensure full adhesion is achieved.
- 3.5. Carefully remove any markings or tape used to locate the rear emblem. Clean the endgate surface as needed.

# Front Grille Emblem Package Installation (Heavy Duty Truck)

## Installation Instructions Part Number

84246340

### Kit Contents

Qty	Description
1	Emblem Assembly GMC – Front Grille Illuminated
1	Harness
1	Emblem Assembly GMC – Endgate
5	Tie Strap
5	Tie Strap Clips
1	Installation Instructions

### Tools Required

Masking Tape

Plastic Flat-Bladed Tool

### Before you start

**Note:** For the nameplate to adhere best, the vehicle's mating surface (doors, rear compartment, etc.) should be free of damage (dents, scratches, creases, fractures, etc.).



**Caution:** Do not use heat gun/hair dryer or apply excessive heat to the emblem/nameplate as this may damage the paint and surrounding panel surfaces during removal.



**Caution:** Use a plastic, flat-bladed tool to prevent paint damage when removing an emblem/nameplate. Do not use fishing line to remove nameplate as this may worsen the tape residue cleaning process. Use Isopropyl Alcohol and Lint Free Cloth to remove tape residue. Heavy foam/adhesive residue remaining on the painted surface can be removed using 3M's Scotch-Brite™ Molding Adhesive and Stripe Removal 4-inch Foam Disc. DO NOT use hard Stripe off wheel.

**Caution:** Only install nameplates as a direct replacement of the existing vehicle content.

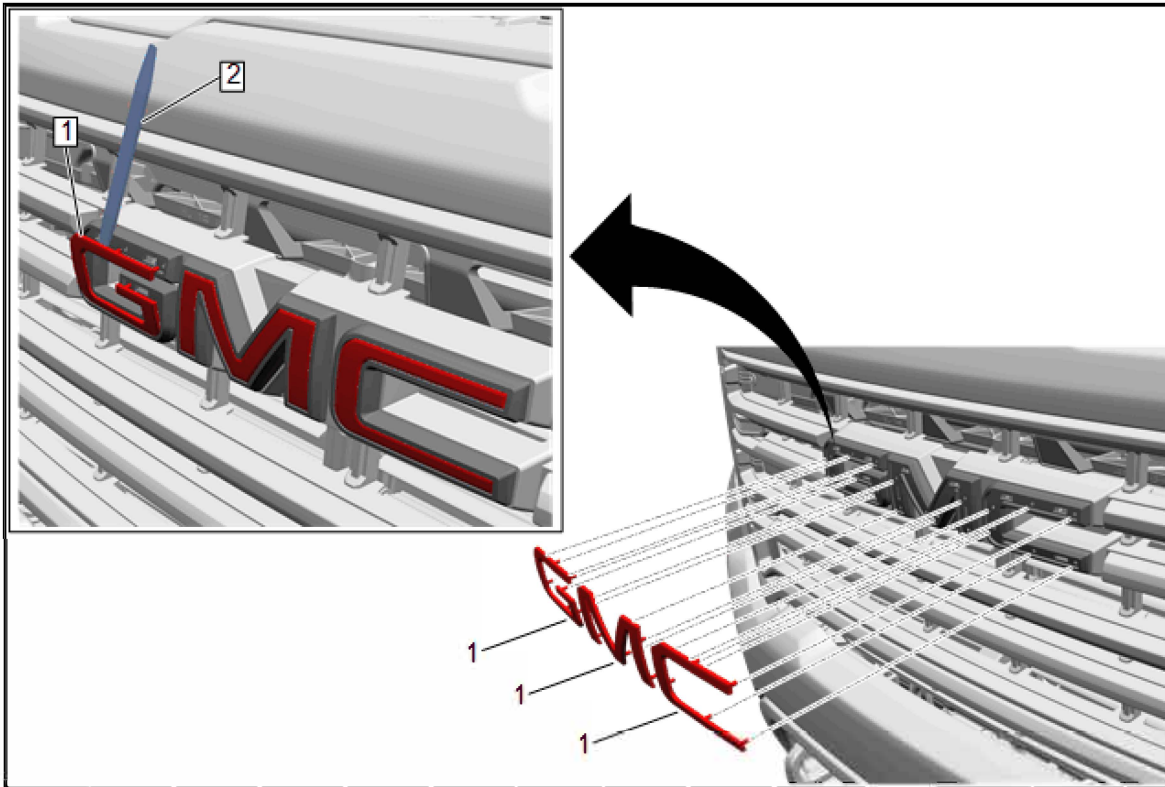
1. The part and surface should be 21°C (70°F) prior to installation. The vehicle should remain 21°C (70°F) for one hour after assembly to allow adhesive to develop sufficient bond strength.
2. Wash the vehicle mating surfaces with a non-petroleum based cleaning product. If a stronger cleaner is required to remove any contaminates, use 3M® general purpose Adhesive Cleaner (P/N 08984). Then, thoroughly dry with a soft clean cloth.

© 2024 General Motors. All rights reserved.

## Procedure

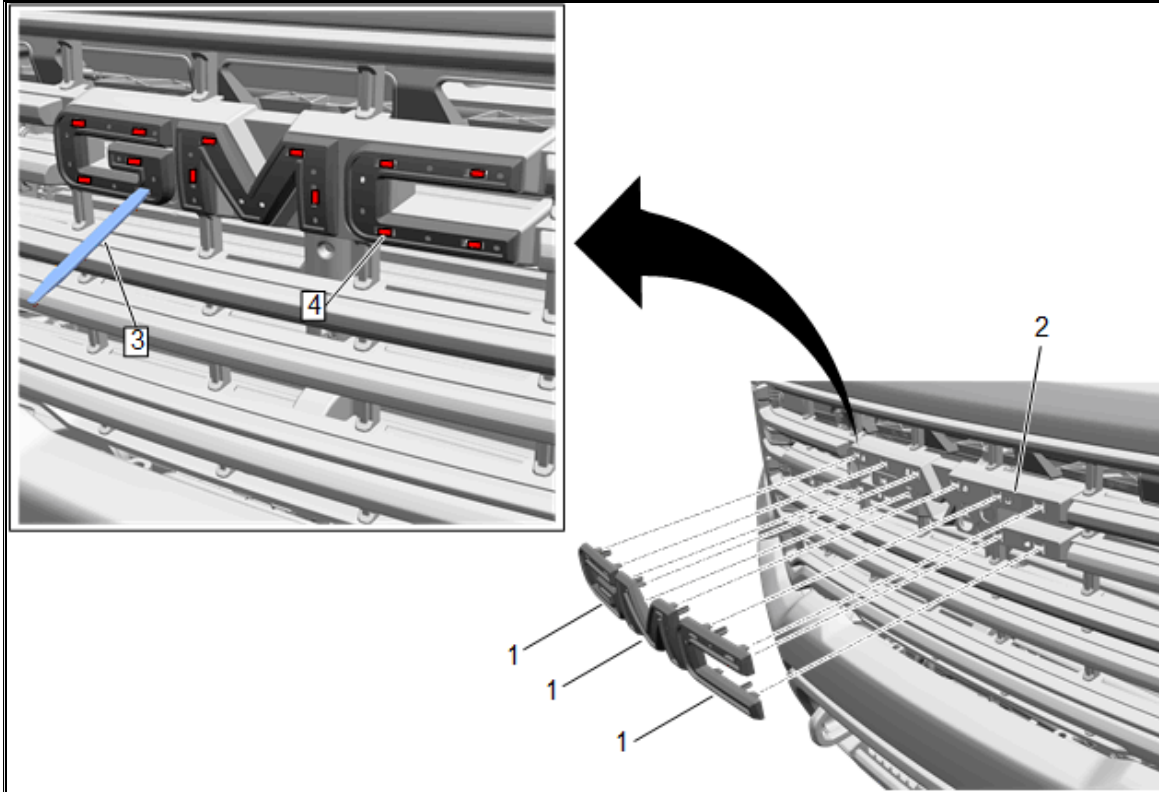
### Front GMC Illuminated Emblem

1. Read all instructions before performing procedure.
2. Inspect kit to verify all parts are included.
3. Turn off the vehicle.

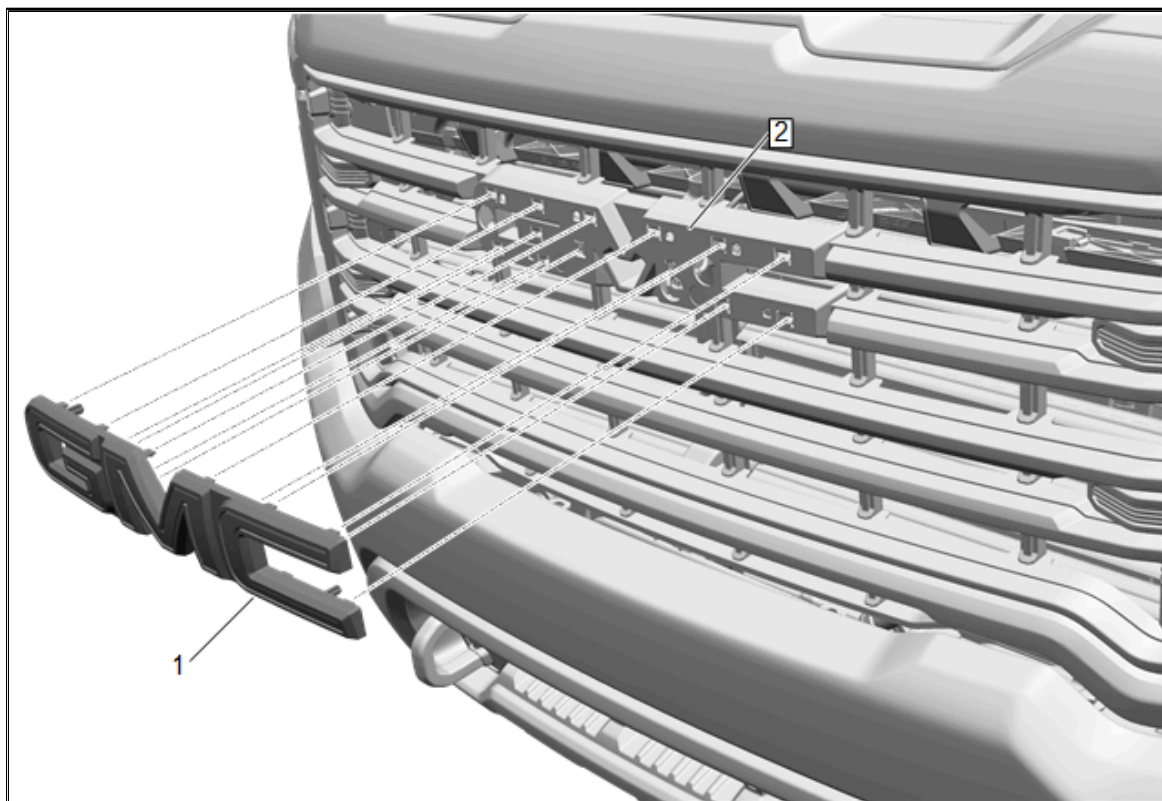


**Note:** Red emblems will be damaged and not suitable for re-use.

4. Using a suitable flat-bladed tool (2), carefully remove the red emblem insert (1) from each letter.



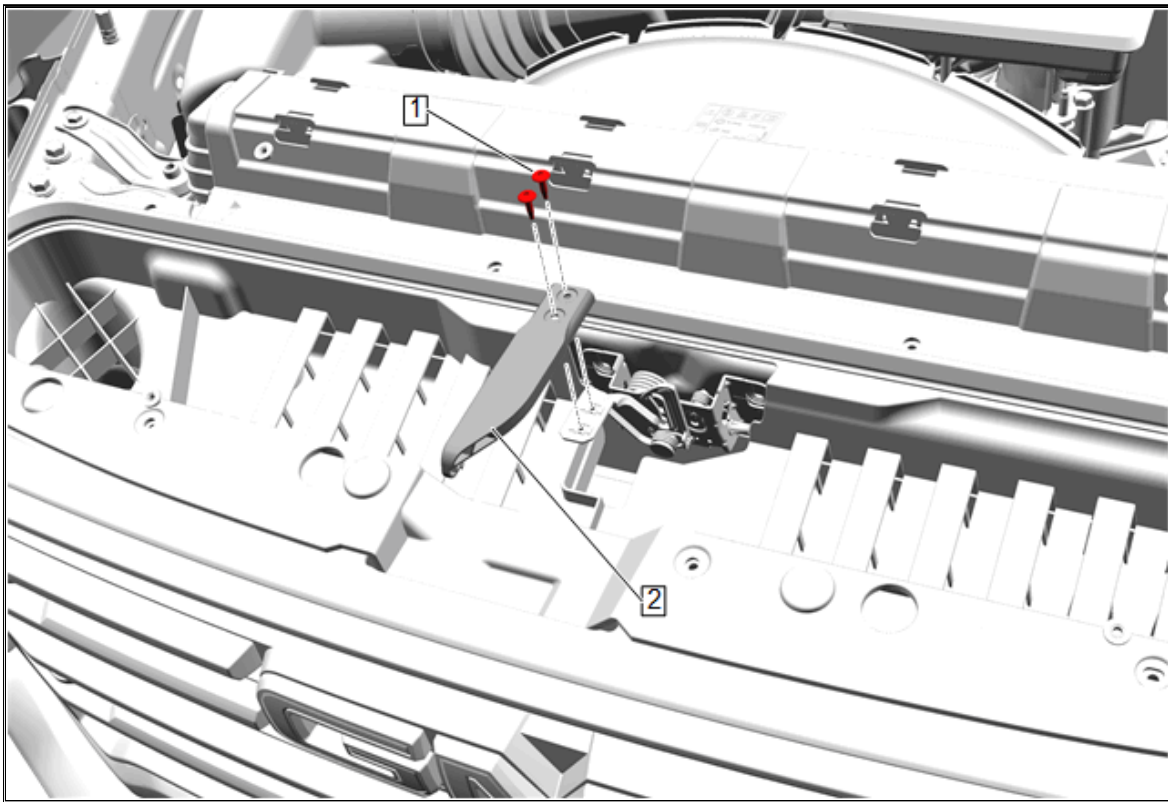
5. Using a suitable flat bladed tool (3), carefully release the retention clips (4) and remove each letter (1) from grille (2). Be careful to avoid damage to the retaining tabs in the grille (2), as this may result in loose fit of the new emblems.



6. Accurately position the illuminated emblem from kit (1) to grille (2) using the locating pins.  
7. Install the new emblem, applying enough evenly distributed pressure to engage the locking/retention tabs.

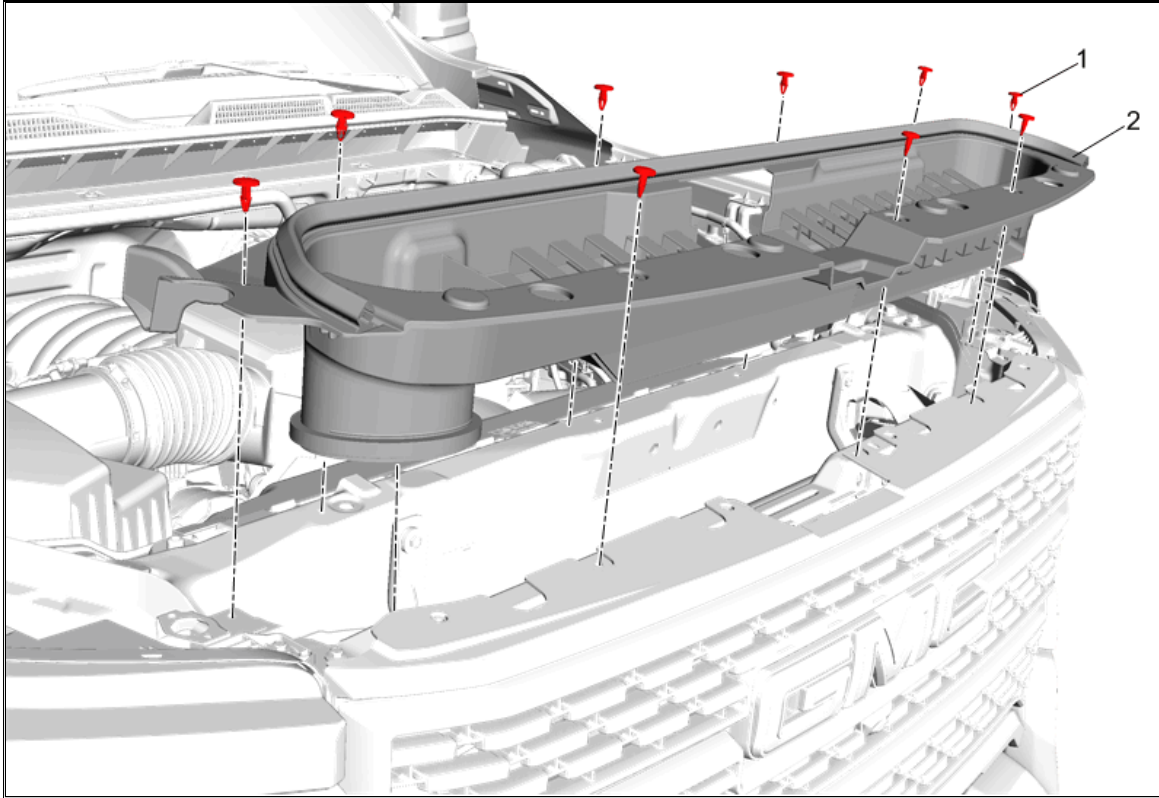


8. Verify that the emblem is fully seated and securely attached to the grille.

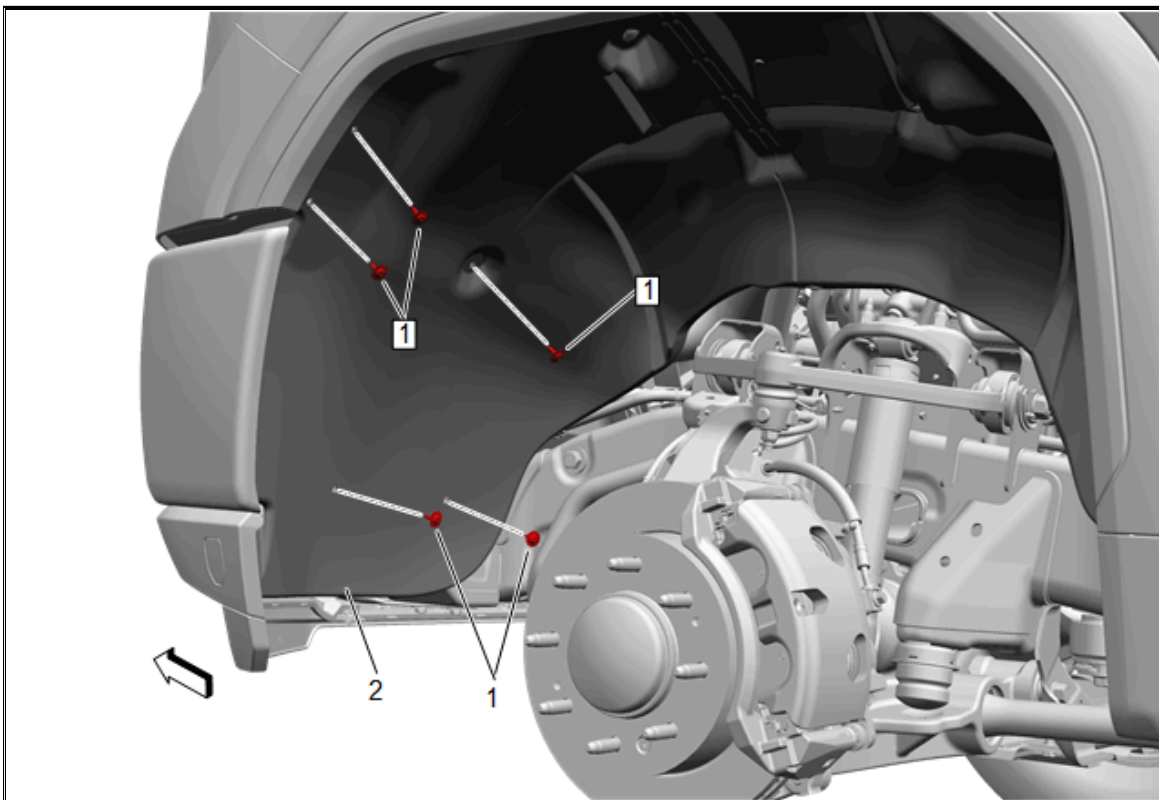


9. Remove the two hood secondary latch release handle bolts (1).

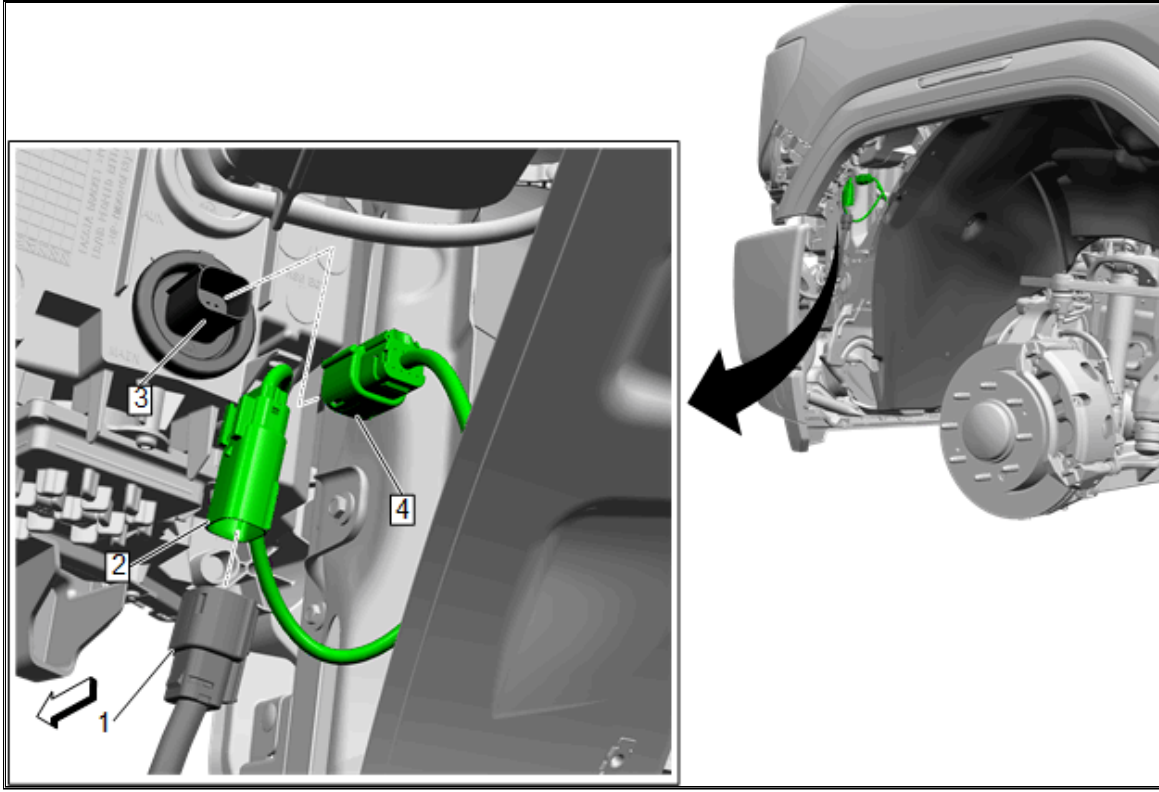
10. Remove the hood secondary latch release handle (2).



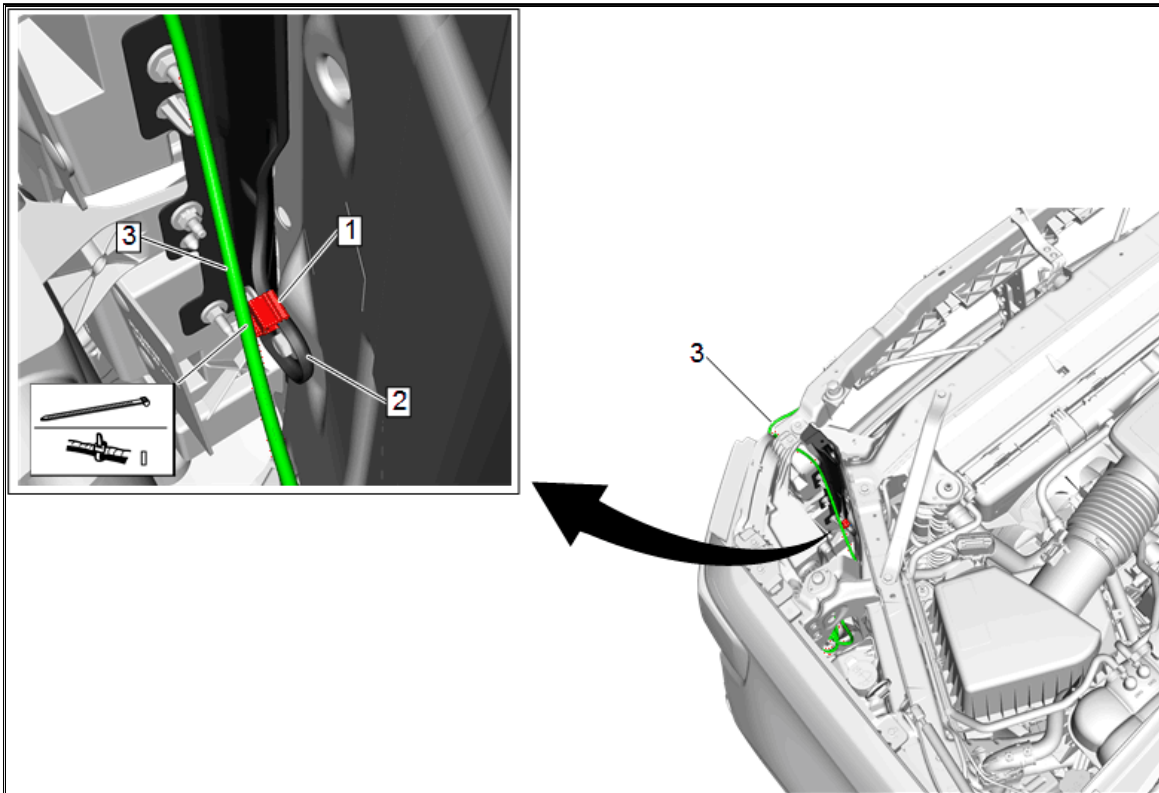
11. Remove the nine air intake air baffle retainers (1).
12. Remove the air intake air baffle (2).
13. Remove the driver side front wheel and tire assembly. Refer to [Tire and Wheel Removal and Installation](#) in Vehicle Service Manual.



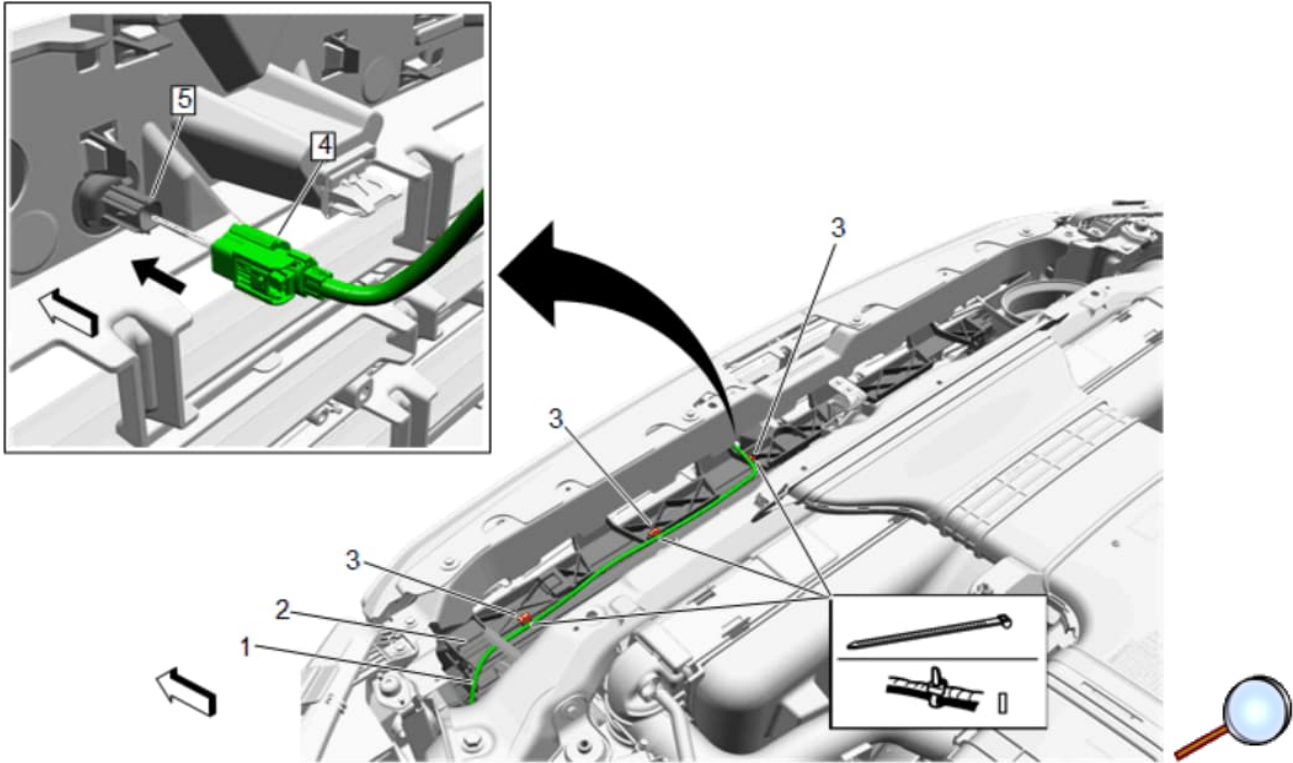
14. Remove the five front bolts (1) from the front wheelhouse panel (2).
15. Reposition the driver side wheelhouse panel to gain access to the driver side headlamp connectors.



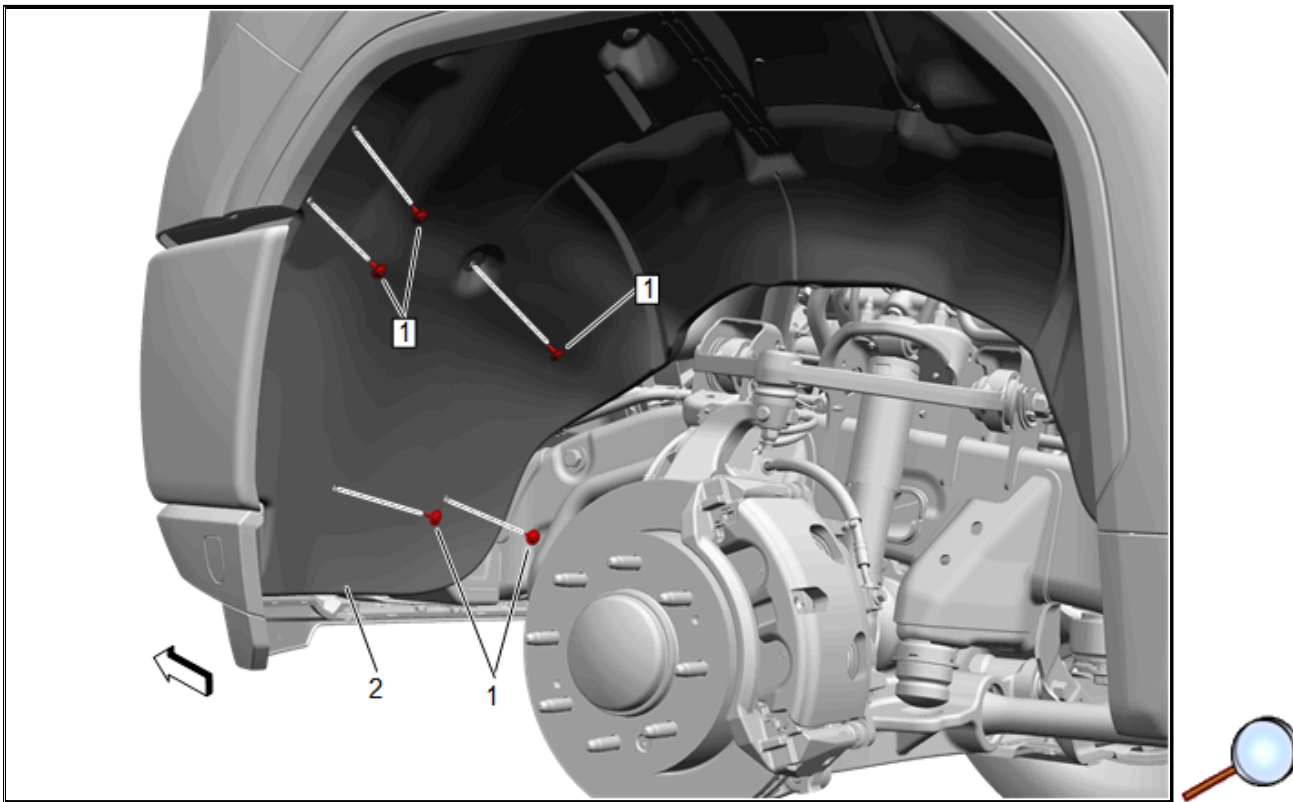
16. Disconnect the headlamp harness connector (1) from the driver side headlamp (3).
17. Connect one of the single connectors (4) of the supplied harness to the driver side headlamp (3).
18. Connect the other single connector (2) of the supplied harness to the headlamp harness (1).



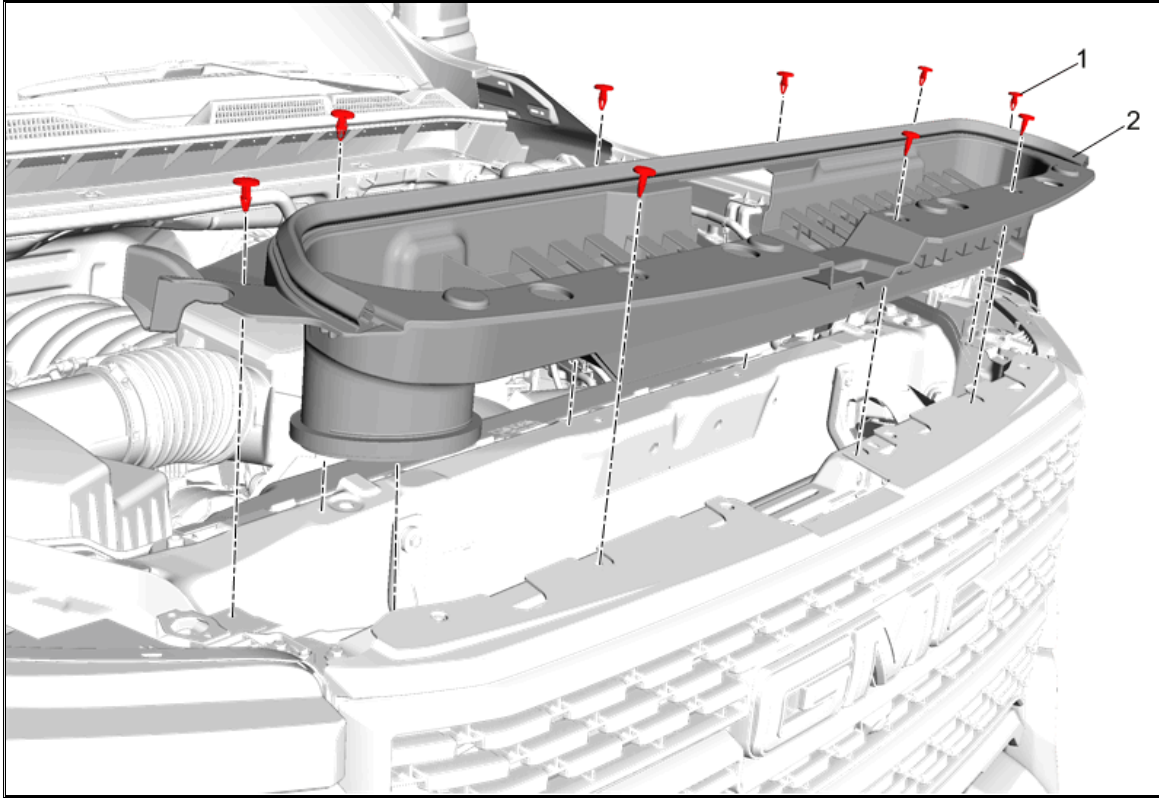
19. Route the accessory harness (3) through the opening next to the driver side headlamp.
20. Install tie strap clip (1) to the left inner support bracket (2) and secure harness (3). Secure any loose wiring with tie straps.



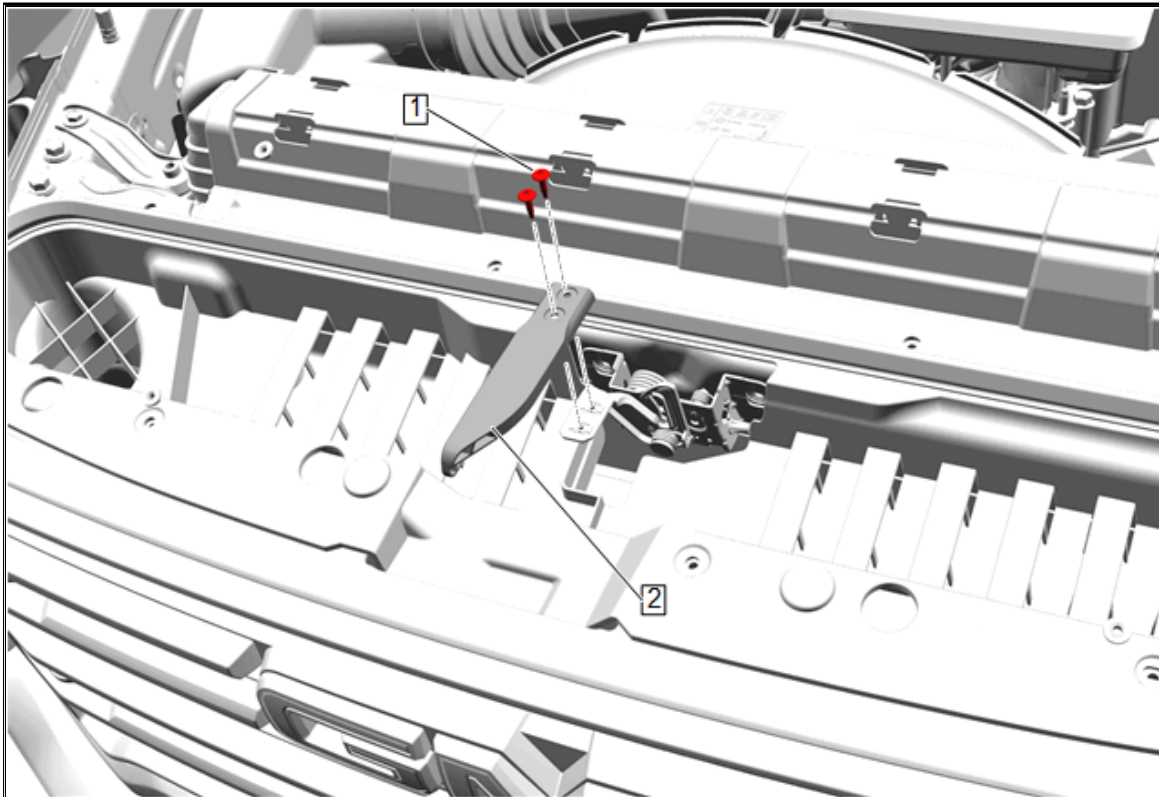
21. Install the tie strap clips (3) to the upper support (2), route accessory harness (1) towards center support and secure accessory harness (1) to the upper support (2) with tie straps.
22. Connect the accessory harness connector (4) to the illuminated emblem (5).
23. Confirm fog lamp, headlamp and grille emblem operation.



24. Install the five front bolts (1) to the front wheelhouse panel (2).  
**Tighten**  
 front wheelhouse panel bolts to 2.5 N.m (22 lb in).
25. Install the driver side front wheel and tire assembly. Refer to [Tire and Wheel Removal and Installation](#) in Vehicle Service Manual.



26. Install the air intake air baffle (2).
27. Install the nine air intake air baffle retainers (1).



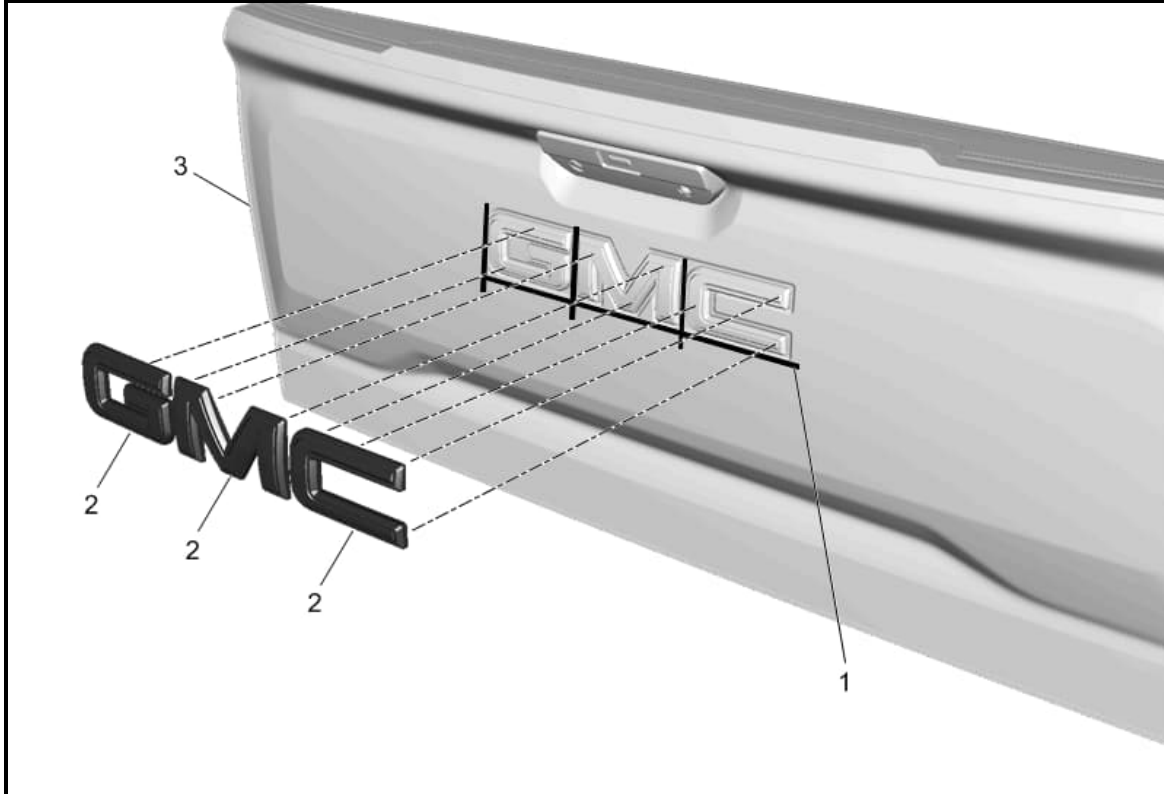
28. Install the hood secondary latch release handle (2).
29. Install the two hood secondary latch release handle bolts (1).

**Tighten**

Tighten hood secondary latch release handle bolts to 2.5 N.m (22 lb in).

**Rear GMC Emblem Replacement**

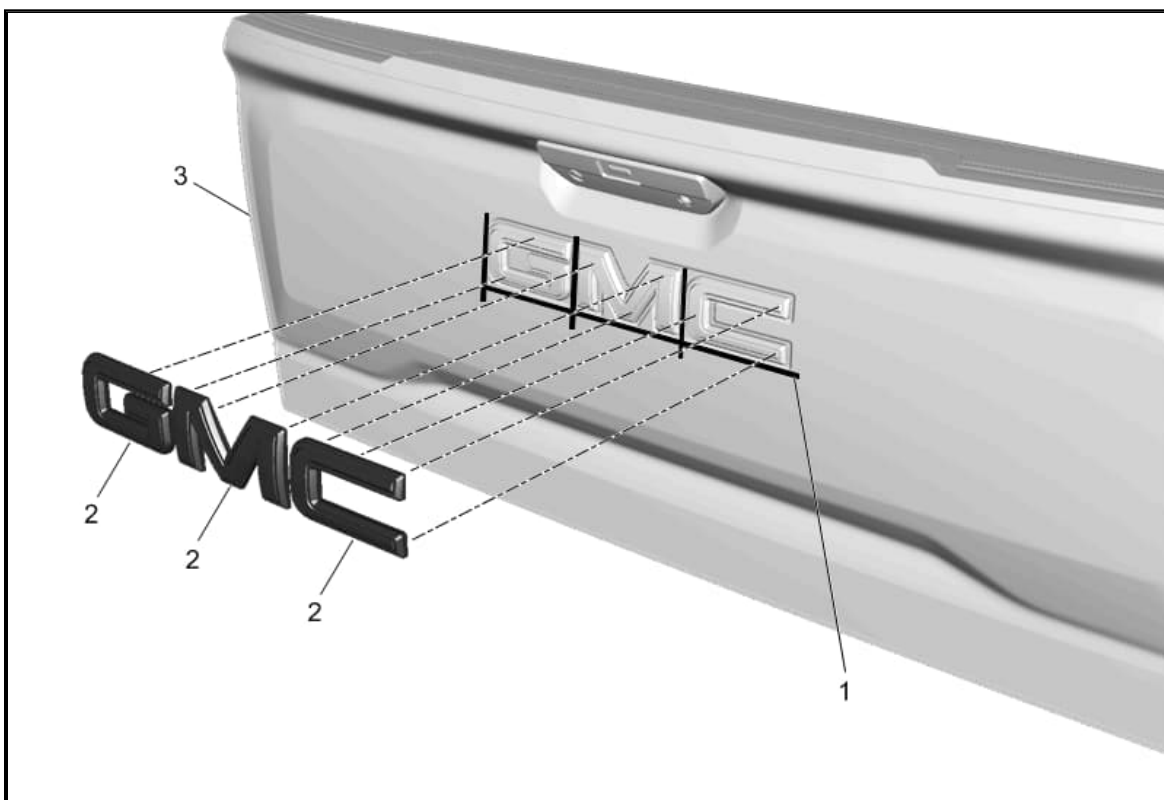
1. Turn off vehicle.
2. If the accessory package contains a rear emblem assembly:



- 2.1. Mark the position of the emblem with a washable marker or masking tape (1) prior to removal.
- 2.2. Carefully use a plastic flat-bladed tool to assist in removal of the existing emblem (2) from the endgate surface (3).
- 2.3. Clean any remaining residue with a non-petroleum based cleaning product. Wipe surface dry with a clean lint-free towel.

### 3. Installing the Rear Emblem:

- 3.1. The part surface should be 21°C (70°F) prior to installation. The vehicle should remain 21°C (70°F) for one hour after assembly to allow adhesive to develop sufficient bond strength.
- 3.2. When removing protective liners from the adhesive tape, be careful not to touch tape with hands and do not allow tape to come in contact with dirt or any foreign matter prior to adhesion.



- 3.3. Position new emblem (2) carefully within reference marks (1) and place on prepared surface of endgate (3).
- 3.4. Using the palm of the hand, apply strong pressure to all areas of the emblem to ensure full adhesion is achieved.
- 3.5. Carefully remove any markings or tape used to locate the rear emblem. Clean the endgate surface as needed.