

## Rear Wheel Opening and Front Fender Molding Package Installation (GMC Instruction ID: 84269353)

### [Installation Instructions Part Number](#)

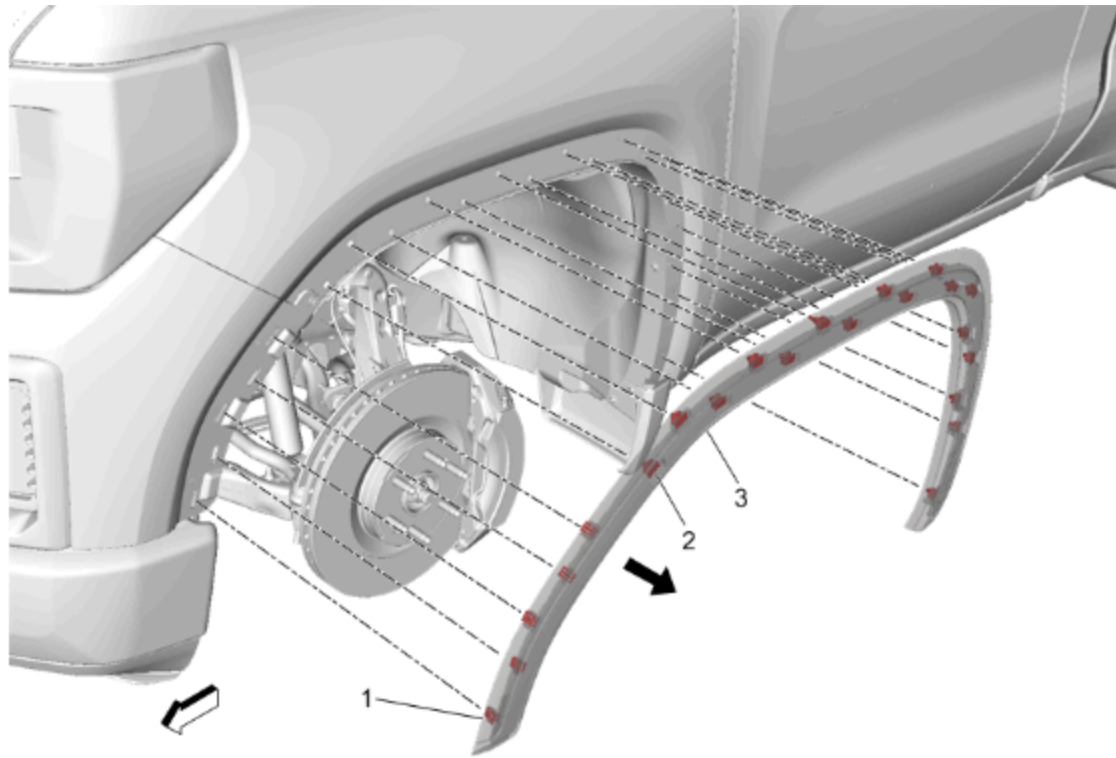
84269353

#### Kit Contents

Qty	Description
1	Front Wheel Opening Molding Left Hand
1	Front Wheel Opening Molding Right Hand
1	Rear Wheel Opening Molding Left Hand
1	Rear Wheel Opening Molding Right Hand
1	Installation Instructions

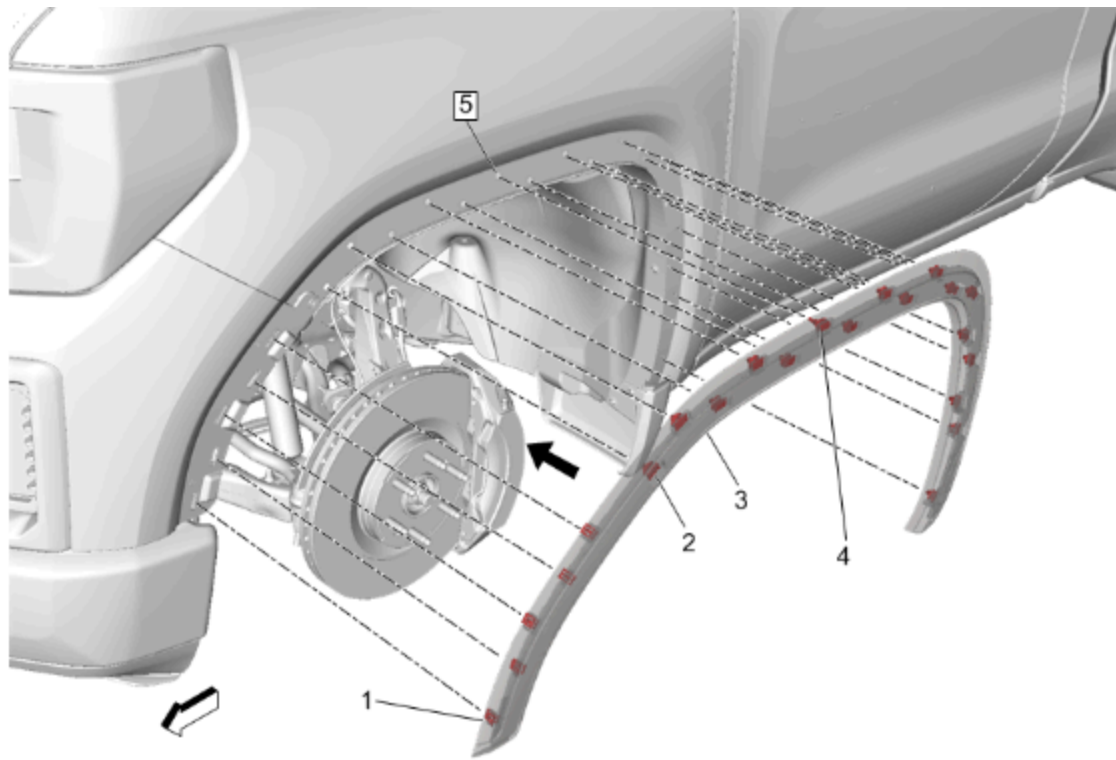
### [Procedure](#)

#### Front Wheel Opening Molding



© 2024 General Motors. All rights reserved.

1. Starting at the forward end firmly pull on the front wheel opening molding (3) and release the retainers (1) and clips (2).
2. If the clips and/or retainers get stuck in the sheet metal, carefully remove without deforming sheet metal upon pulling retainers out.

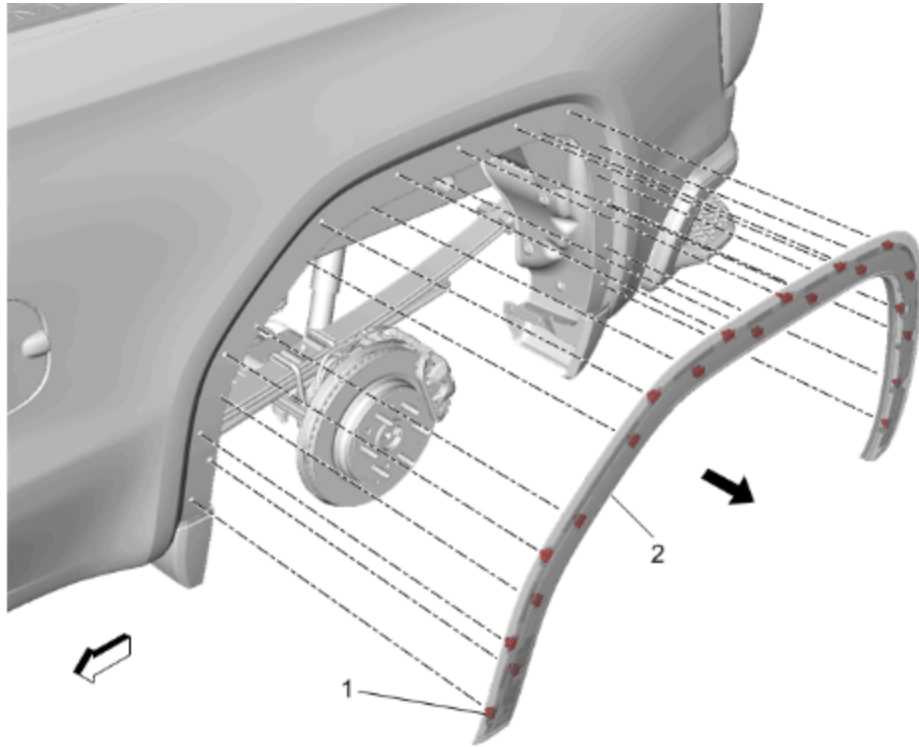


© 2024 General Motors. All rights reserved.

**Note:** Prior to installation, hold the accessory flare up to vehicle to determine correct position and ensure all fasteners/clips are on accessory part. It is important that the yellow fastener is installed in the center location.

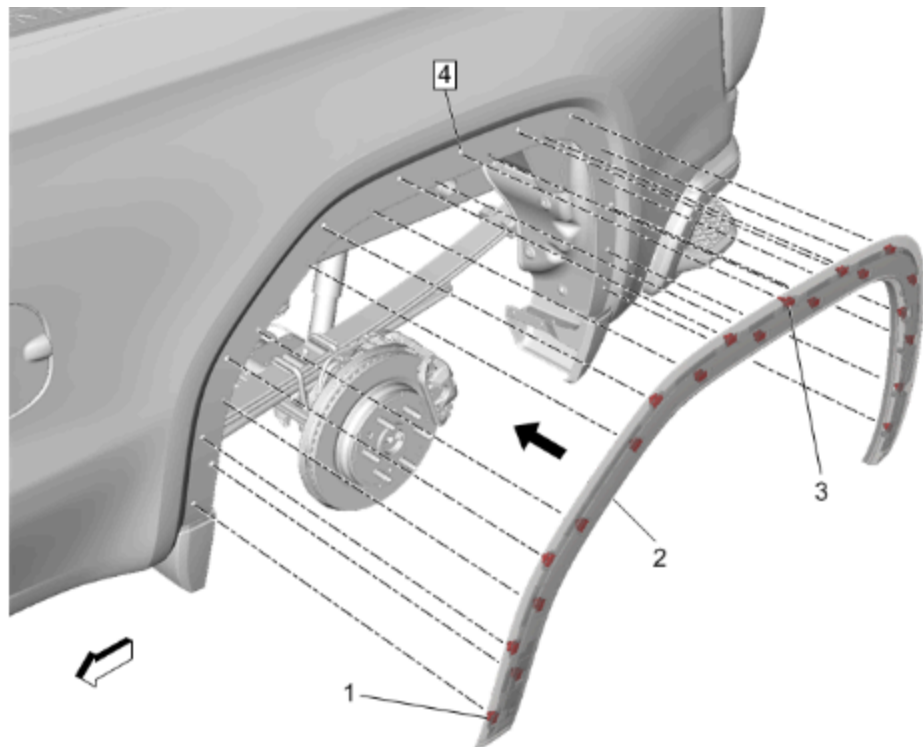
3. Align the retainers (1) and clips (2) of the accessory wheel opening molding (3) to corresponding holes on vehicle.
4. Engage the center yellow clip (4) to the center hole (5) first and then work your way down the wheel opening molding to engage the remaining retainers and clips.
5. Repeat process for other side.

### Rear Wheel Opening Molding



© 2024 General Motors. All rights reserved.

1. Starting at the forward end firmly pull on the rear wheel opening molding (2) and release the clips (1).
2. If the clips and/or retainers get stuck in the sheet metal, carefully remove without deforming sheet metal upon pulling retainers out.



© 2024 General Motors. All rights reserved.

**Note:** Prior to installation, hold the accessory flare up to vehicle to determine correct position and ensure all fasteners/clips are on accessory part. It is important that the yellow fastener is installed in the center location.

3. Align the clips (1) of the accessory wheel opening molding (2) to corresponding holes on vehicle.
4. Engage the center yellow clip (3) to the center hole (4) first and then work your way down the wheel opening molding to engage the remaining retainers and clips.
5. Repeat process for other side.