

Document ID: 4855743

Body Emblem Package Installation

Installation Instructions Part Number

84133642 (Large Bowtie)

84293093 (Small Bowtie)

Kit Contents

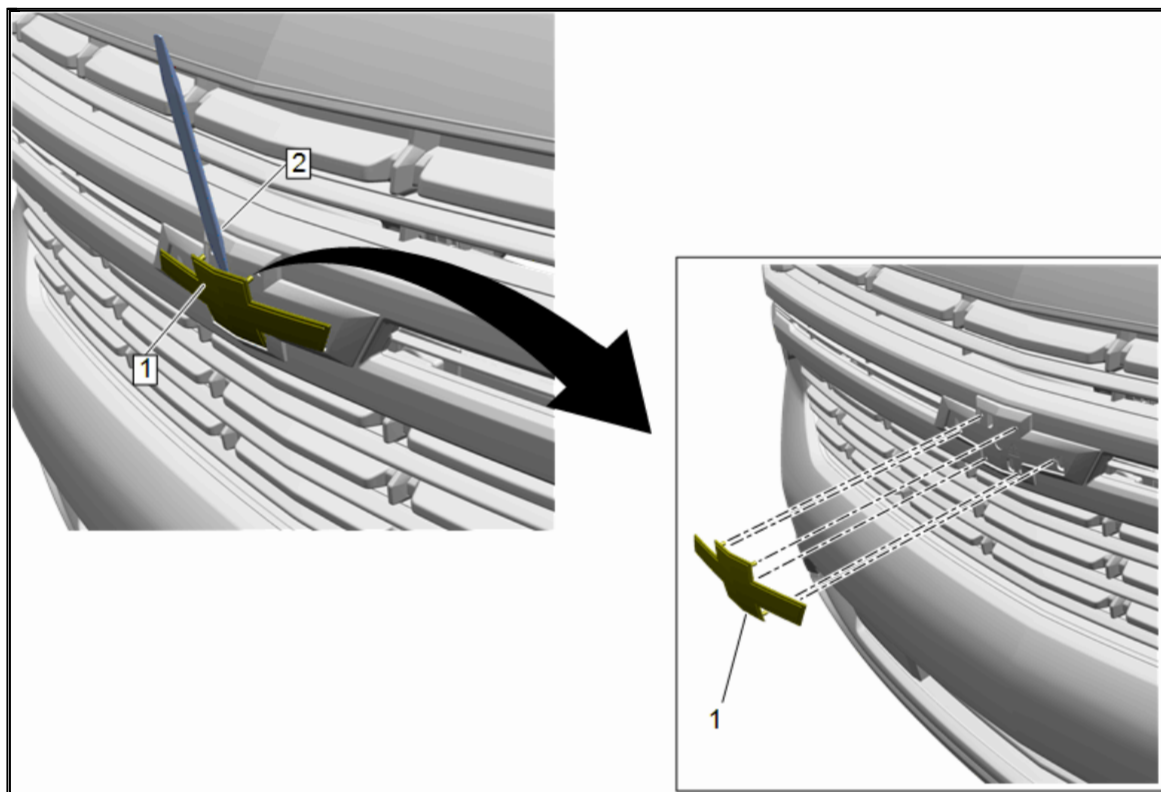
Qty	Description
1	Emblem Assembly Bow Tie – Front
1	Installation Instructions

Required / Recommended Tools

Plastic flat-bladed tool

Procedure

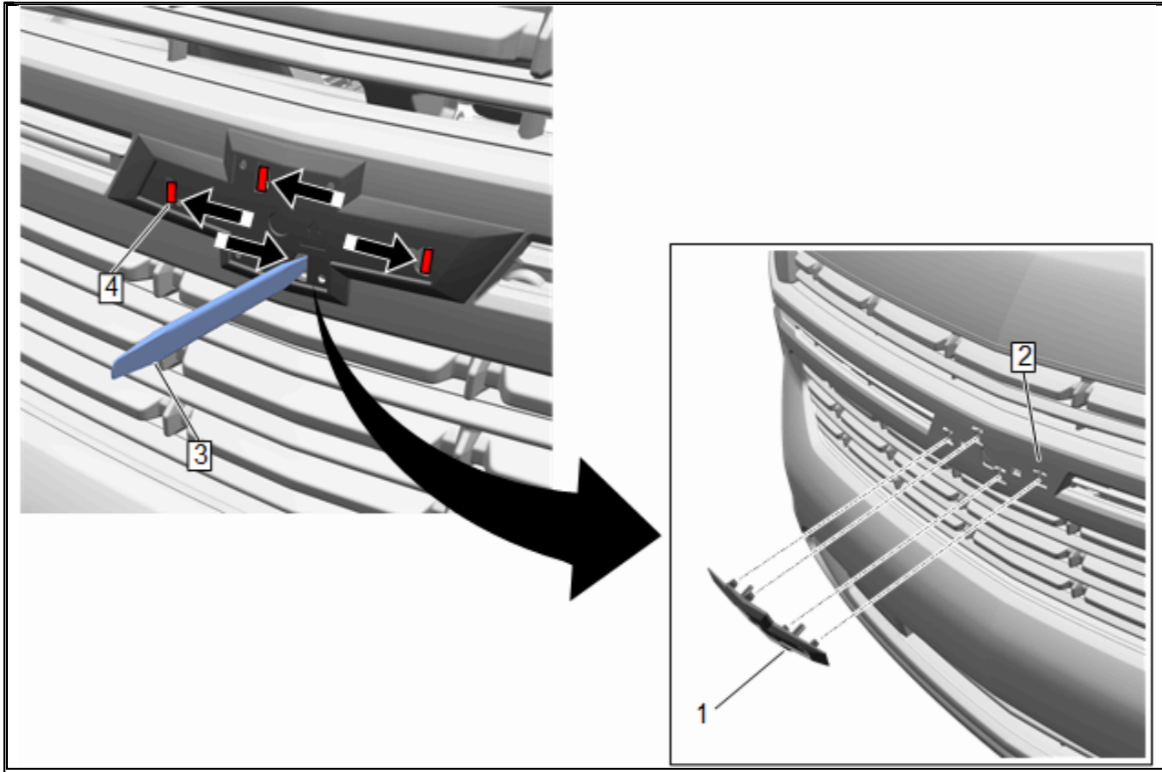
1. **Front Bow Tie Emblem Replacement.** Read all instructions before performing procedure.
2. Inspect kit to verify all parts are included.
3. Turn off the vehicle.
4. Open the hood.



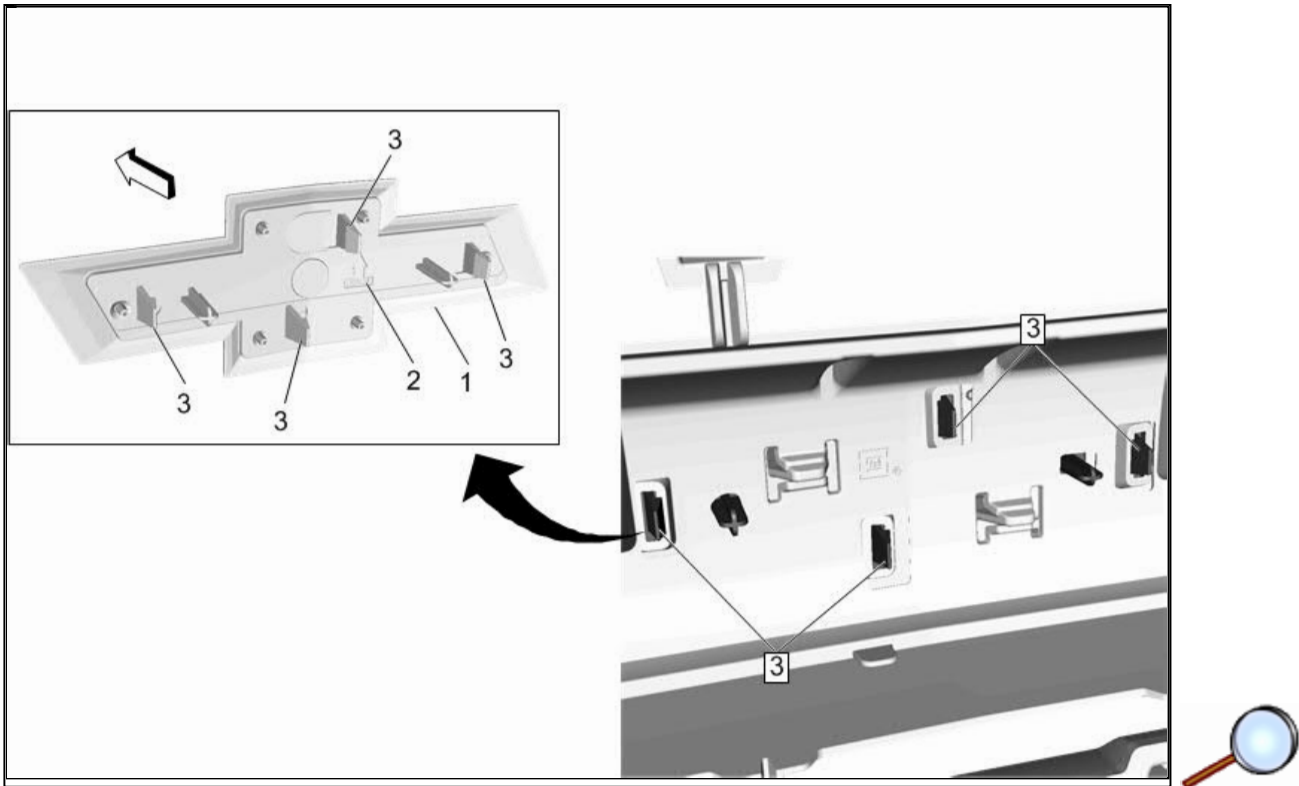
Note: Exterior temperature of vehicle should be between 21°C – 43°C (70°F – 110°F) prior to removing grille bowtie emblem and insert. Any temperatures below the recommended could result in broken retaining tabs on grille.

Note: Bowtie emblem insert will be damaged and not suitable for re-use.

- Using a suitable flat-bladed tool (2), carefully remove the bowtie emblem insert (1) from bowtie emblem housing.



- Using a suitable flat bladed tool (3), carefully release the retention clips in each slot (4) according to direction of arrow and remove bowtie emblem housing (1) from grille (2). **Be careful to avoid damage to the retaining tabs in the grille (2)**, as this may result in loose fit of the new bowtie emblem.



7. Accurately position the new bowtie emblem (1) using the molded "UP" symbol (2) and locating pins.
8. Install the new bowtie emblem, applying enough evenly distributed pressure to engage the retention tabs (3).
9. Verify that the bowtie emblem is fully seated and securely attached to the grille.