

**Document ID: 4773434**

# Front Grille Package Installation

## Installation Instructions Part Number

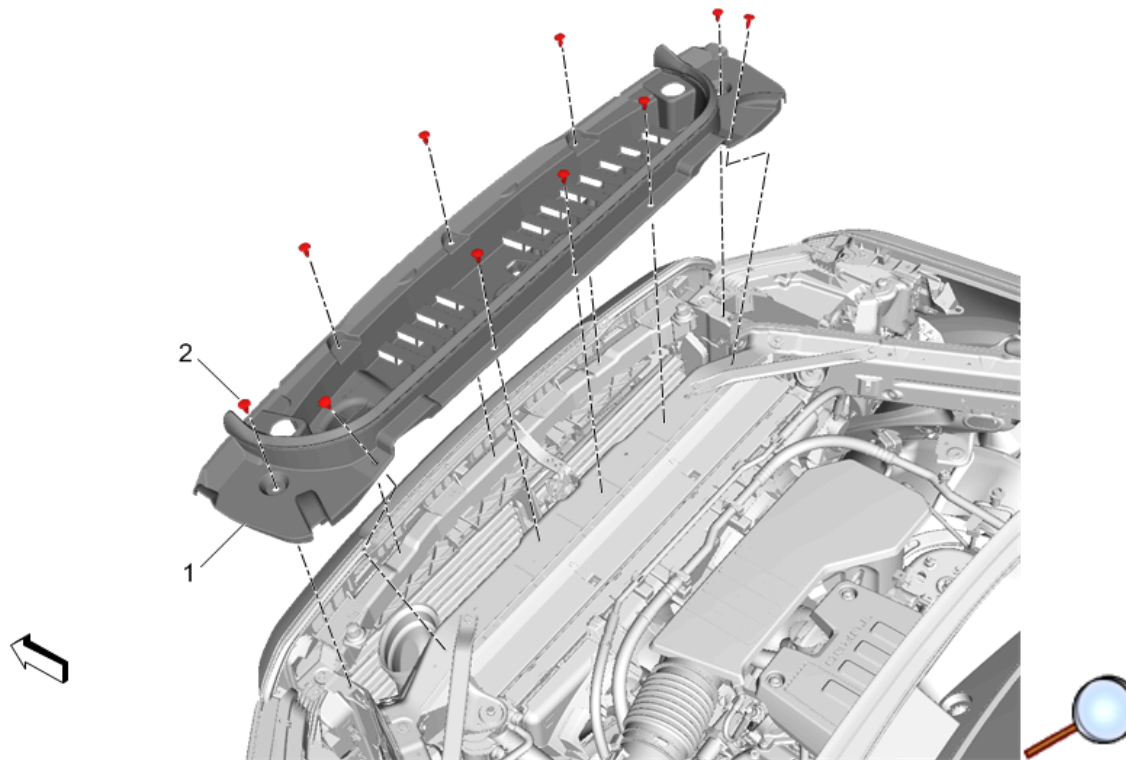
84320559

### Kit Contents

| Qty | Description               |
|-----|---------------------------|
| 1   | Upper Grille              |
| 1   | Installation Instructions |

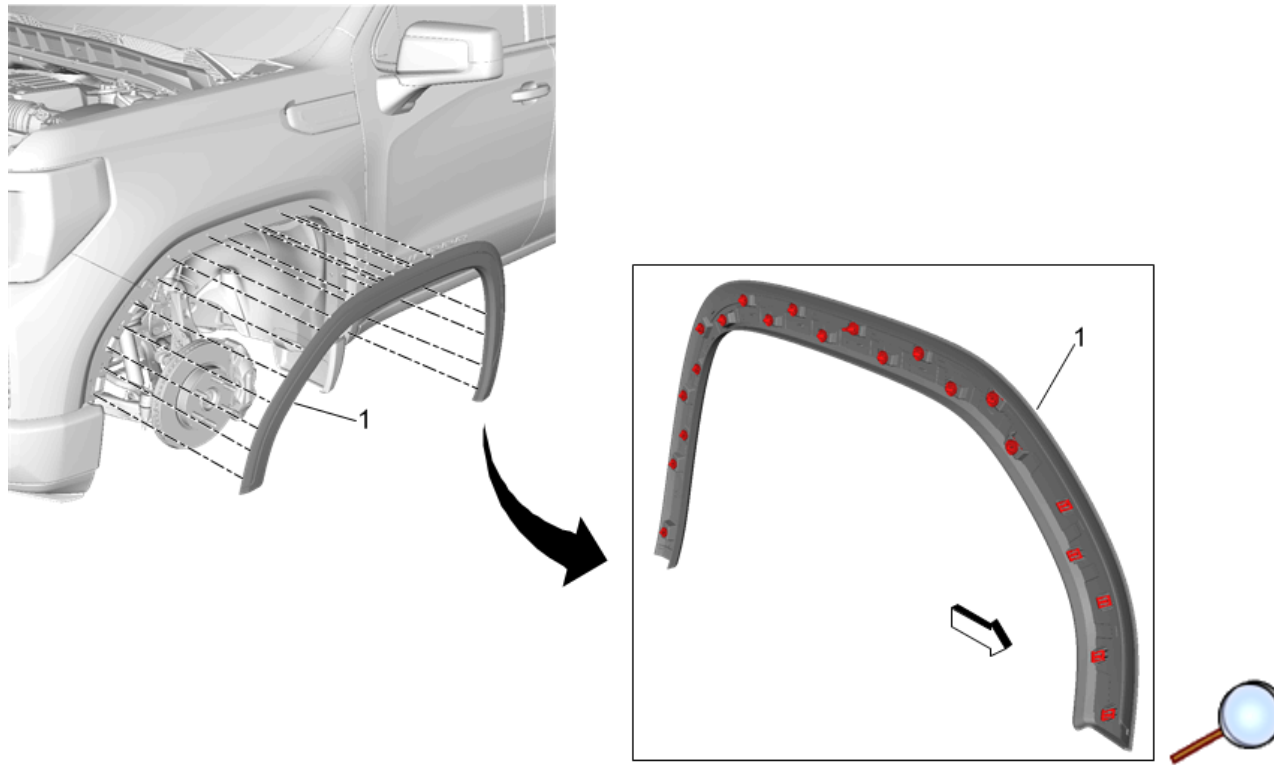
## Procedure

### Remove Front Compartment Sight Shield

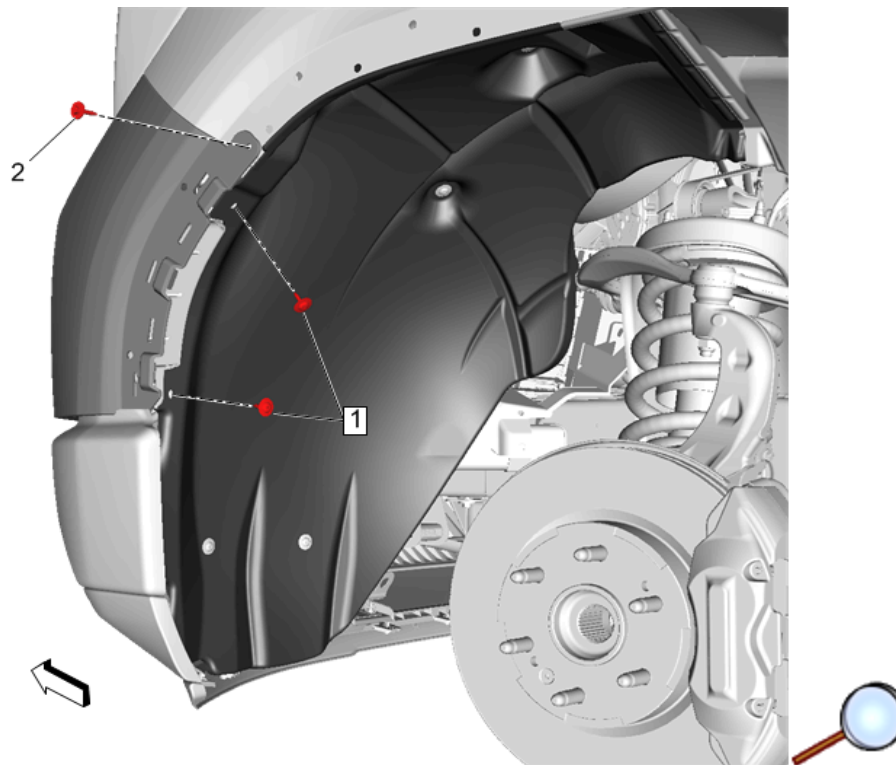


1. Remove and retain the front compartment front sight shield push-in retainers (2).
2. Remove the front compartment front sight shield (1).

### **Partial Removal of Wheelhouse Splash Shield**



1. Using a flat bladed plastic tool starting at the forward end disengage the retainers and firmly pull on the front wheel opening molding (1) to remove. Repeat procedure for other side.



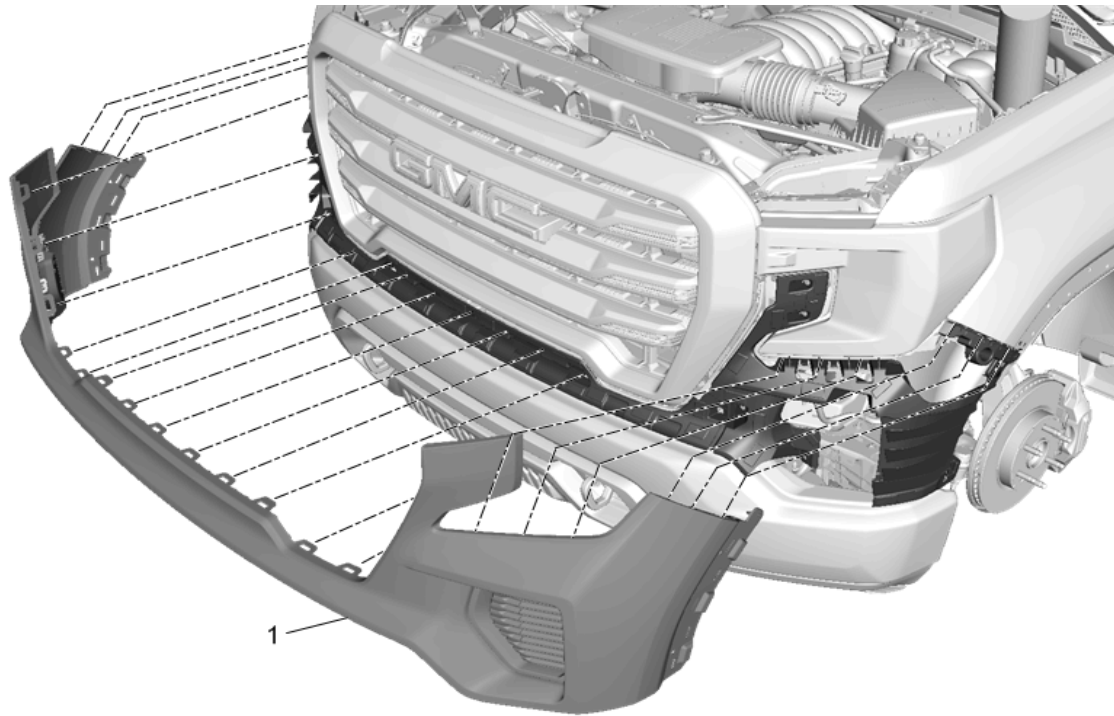
**Caution:** Use the correct fastener in the correct location. Replacement fasteners must be the correct part number for that application. Fasteners requiring replacement or fasteners requiring the use of thread locking compound or sealant are identified in the service procedure. Do not use paints, lubricants, or corrosion inhibitors on fasteners or fastener joint surfaces unless specified. These coatings affect fastener torque and joint clamping force and may damage the fastener. Use the correct tightening sequence and specifications when installing fasteners in order to avoid damage to parts and systems.

2. Remove and retain the screw (2) from the left and right side of front fascia trim cap.
3. Remove and retain the screws (1) from the left and right side wheelhouse splash shield.

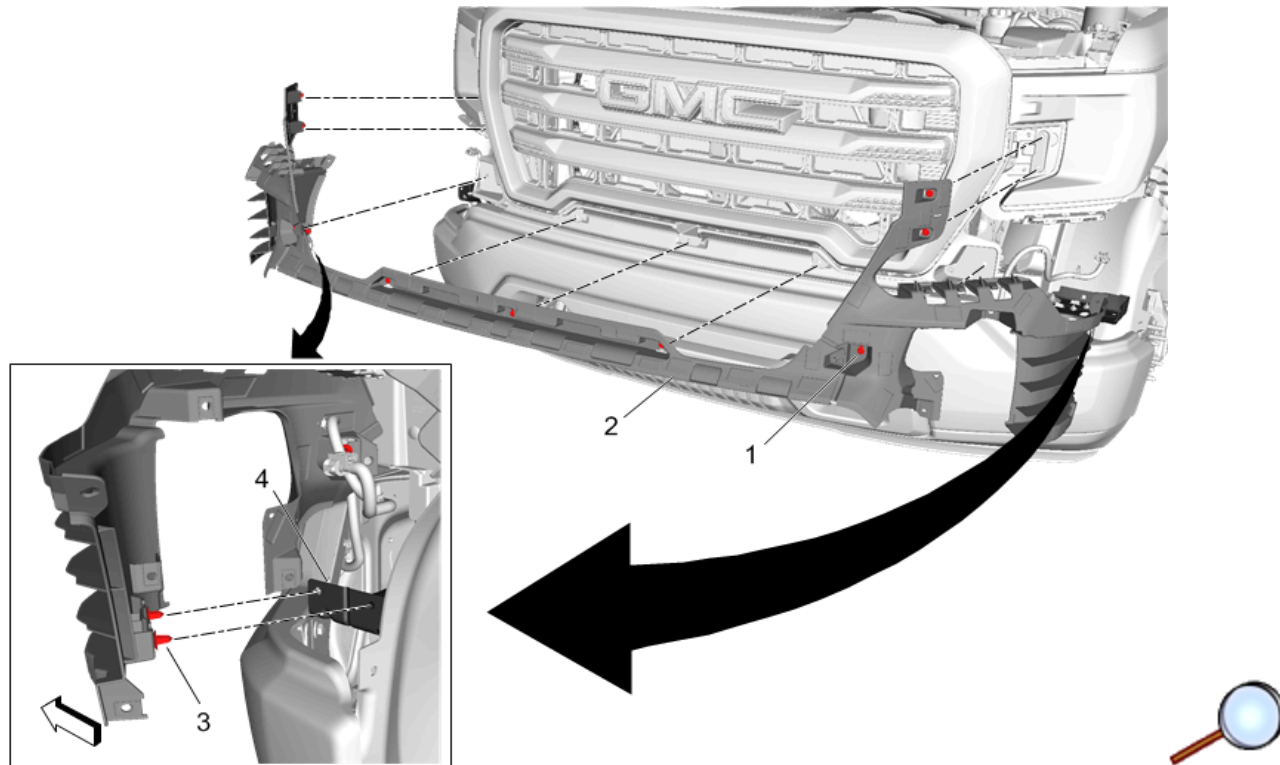
**Tighten**

TightenUpon reassembly, tighten the screws to 2.5 N.m (22 lb in).

**Remove Front Bumper Fascia Trim Cap**

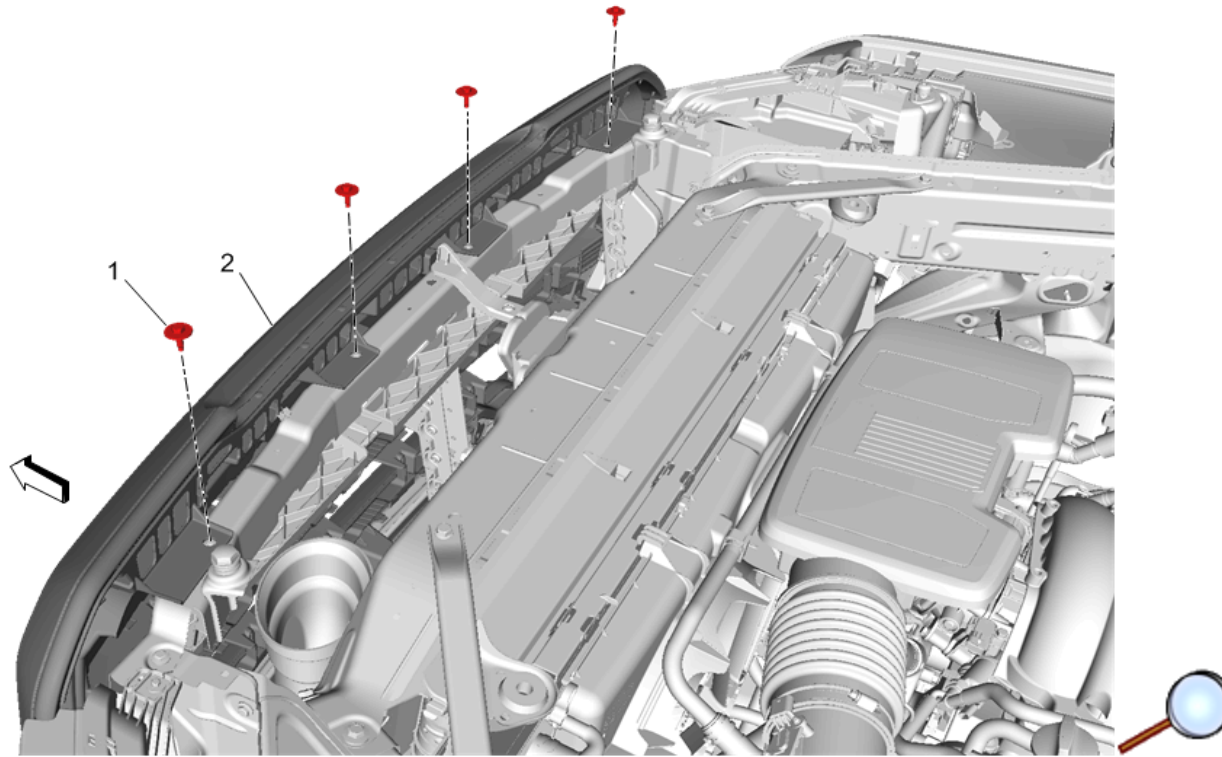


1. Carefully push a small nylon wedge between the front bumper fascia trim cap and the front bumper fascia trim cap guide. Insert a small flat-bladed tool into the trim cap slot and depress the snaps one at a time and pull on the front bumper fascia trim cap at the same time to gradually remove the trim cap (1) from the guide and the front impact bar.

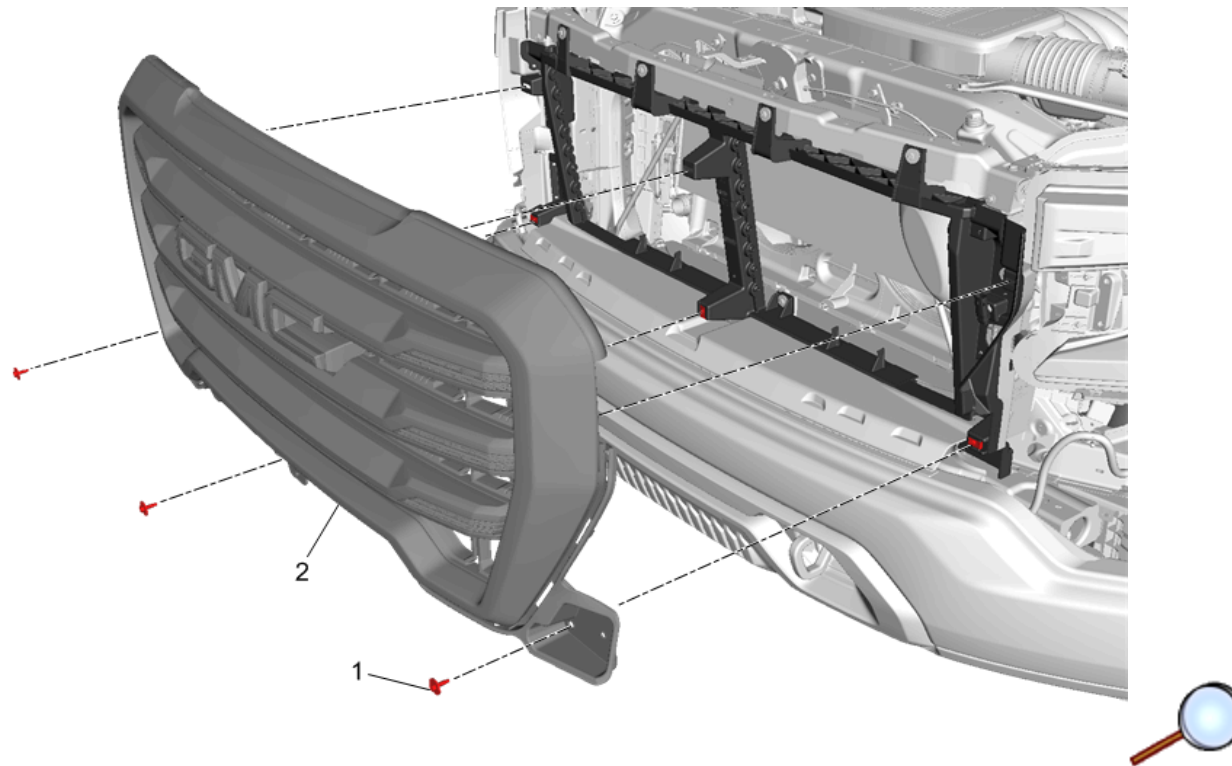


2. Using a suitable tool, disengage the side fascia reinforcement side retainers (3) from side bracket (4).
3. Using a suitable tool disengage the front retainers (1) and remove the fascia reinforcement (2).

### Remove OEM Grille

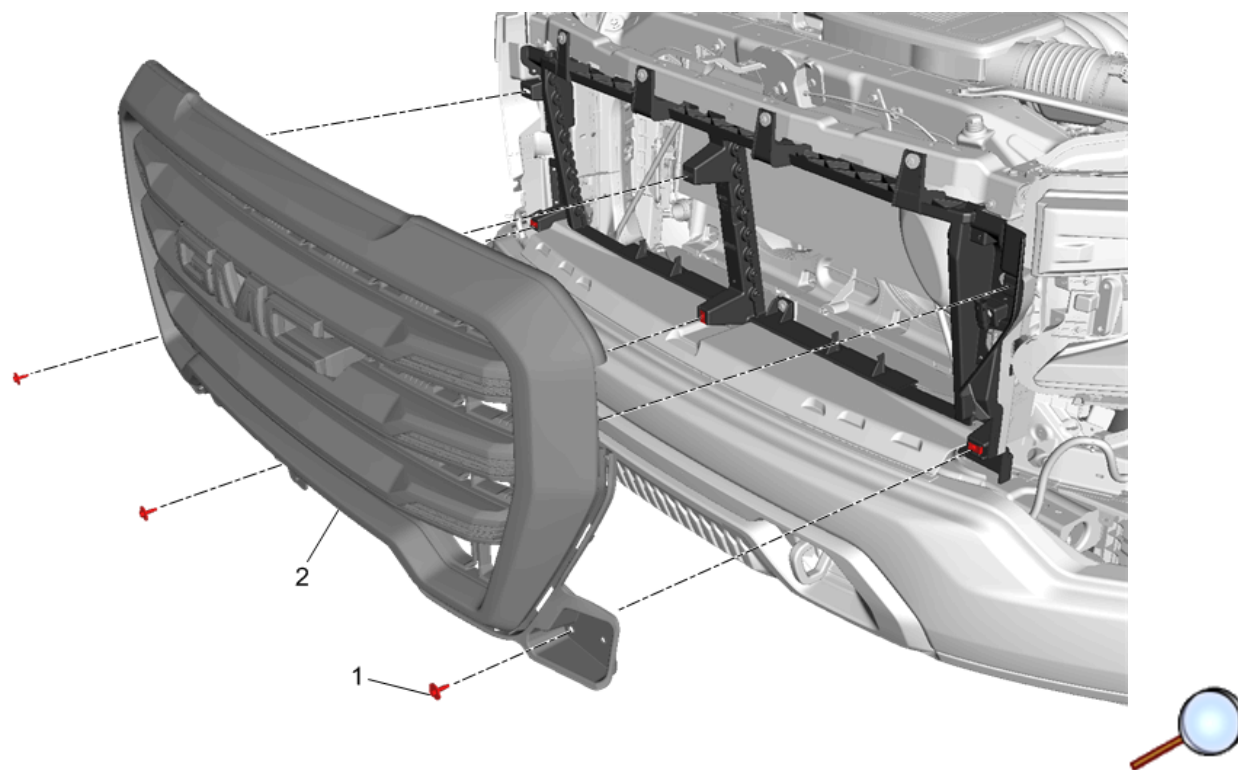


1. Remove and retain the upper bolts (1) from the front grille (2).



2. Remove and retain the lower bolts (1) from the front grille (2).
3. With two hands and starting at either end firmly pull the front grille (2) releasing the 3 spring clips from the grille opening reinforcement.

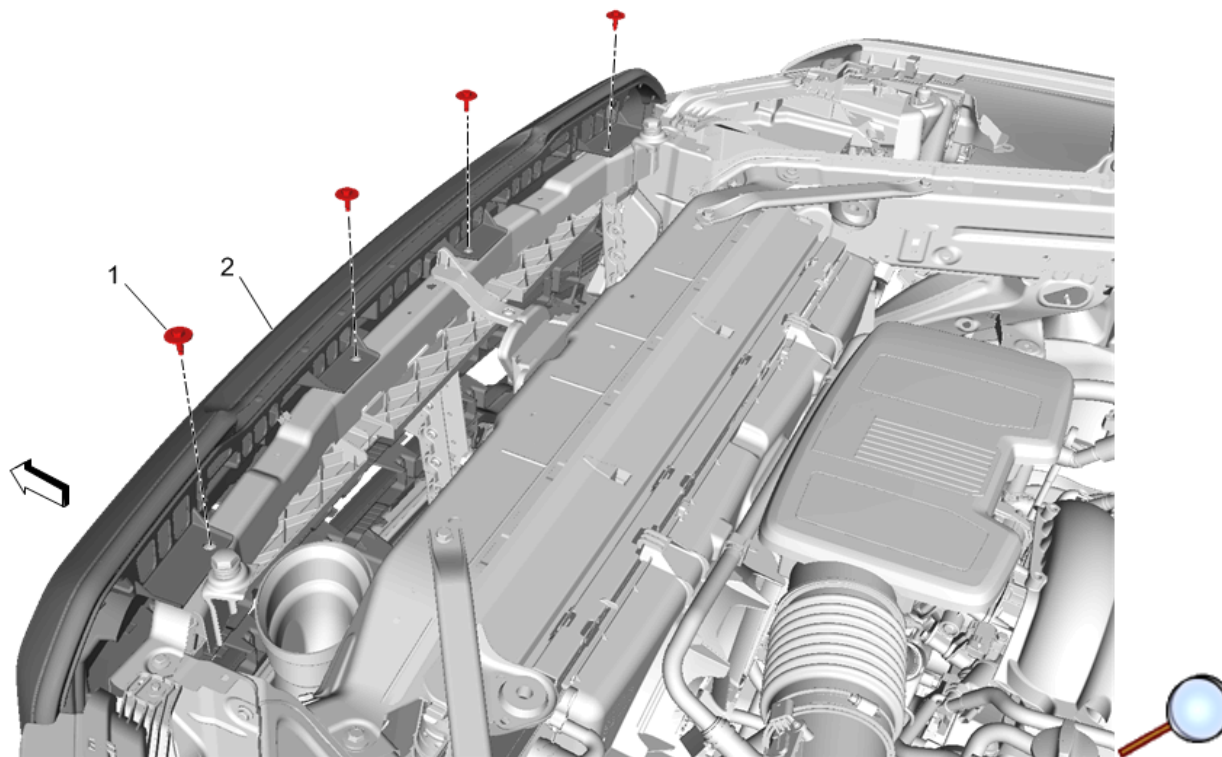
### **Install Radiator Accessory Grille**



1. Position the front Accessory grille (2) to the 3 spring clips on the grille opening reinforcement.
2. Install the previously retained lower front grille bolts (1).

**Tighten**

Tighten the bolts to 7 N.m (62 lb in).



3. Install the previously retained upper bolts (1) to the front grille (2).

**Tighten**

Tighten the bolts to 7 N.m (62 lb in).

4. Install all previously removed components.