

[WIP] Front Grille Package Installation (Instruction ID: 84338689)

[Installation Instructions Part Number](#)

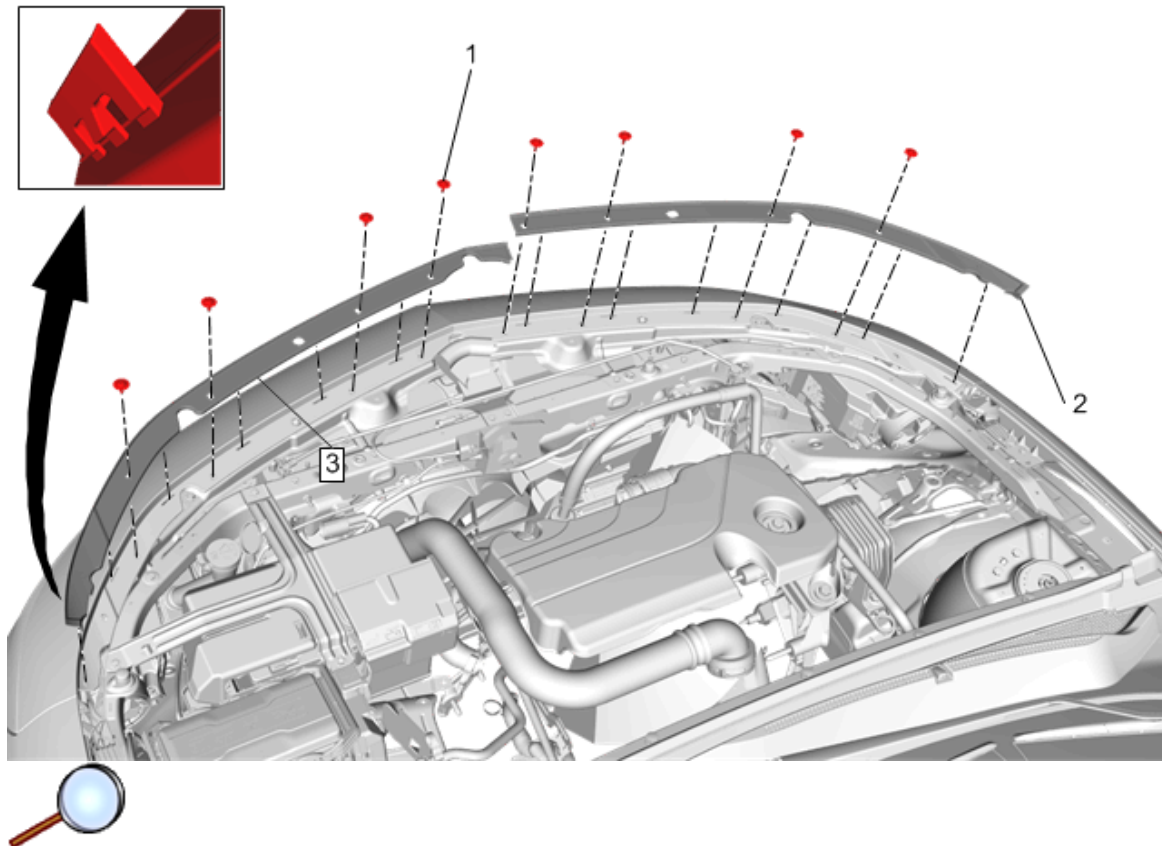


Kit Contents

Qty	Description
1	Front Grille
8	Rivets
1	Installation Instructions

[Procedure](#)

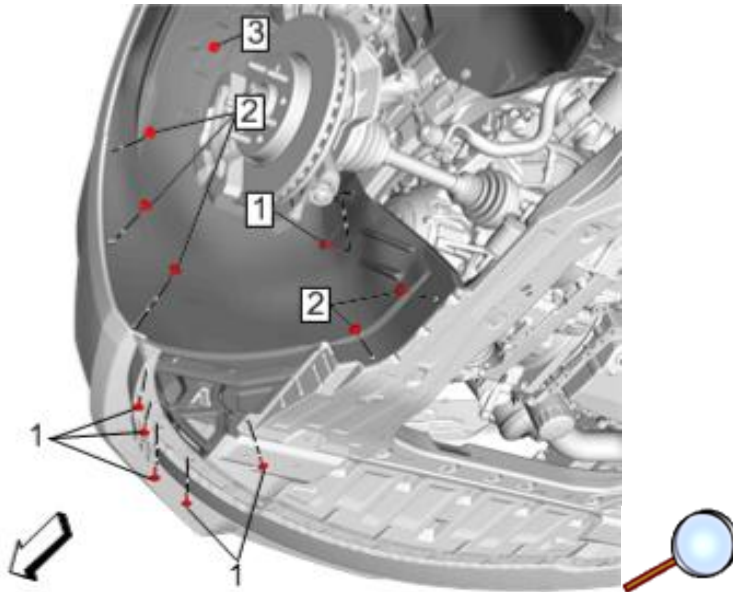
Remove OEM Grille



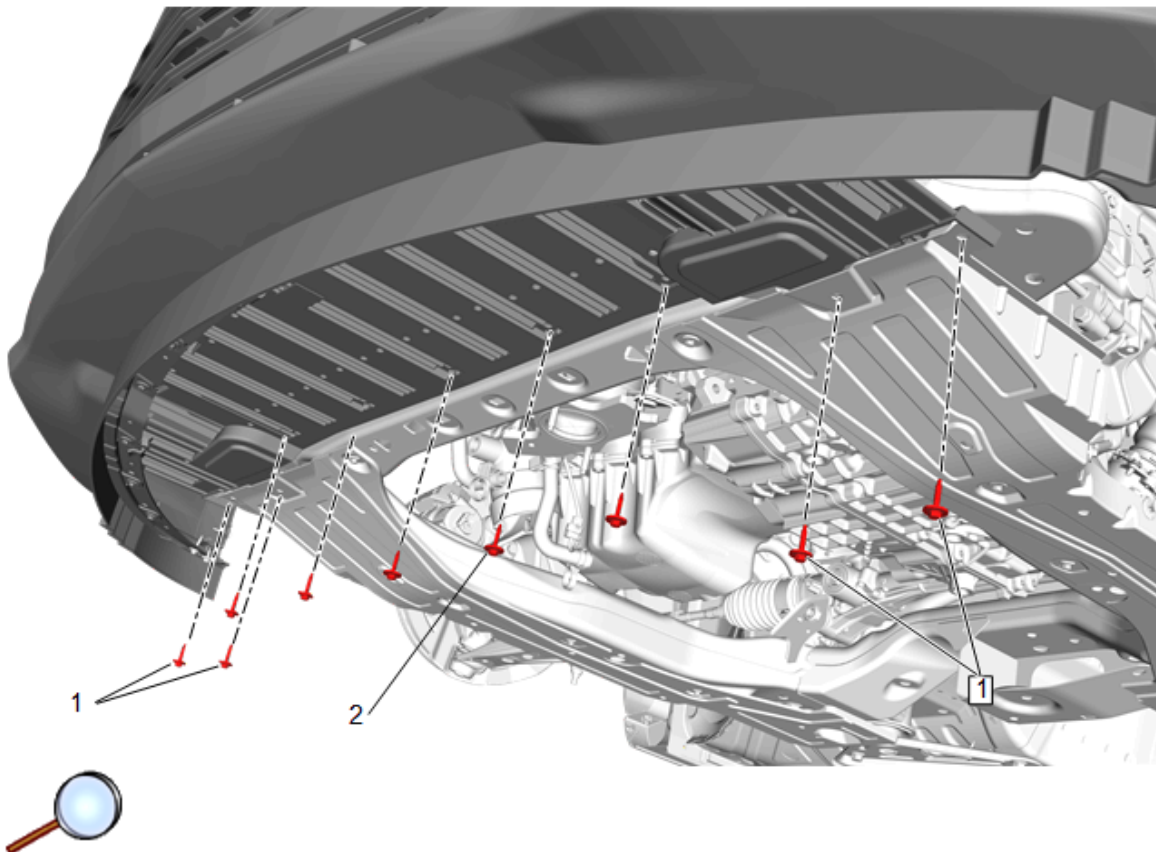
1. Remove the front bumper fascia bolts (1) Qty:8. Upon reassembly tighten the bolts to 2.5 N.m (22 lb in).
2. Using a trim type tool, release the hidden retainer tabs and remove the right (2) and left (3) front bumper fascia upper moldings.

© 2018 General Motors. All rights reserved.

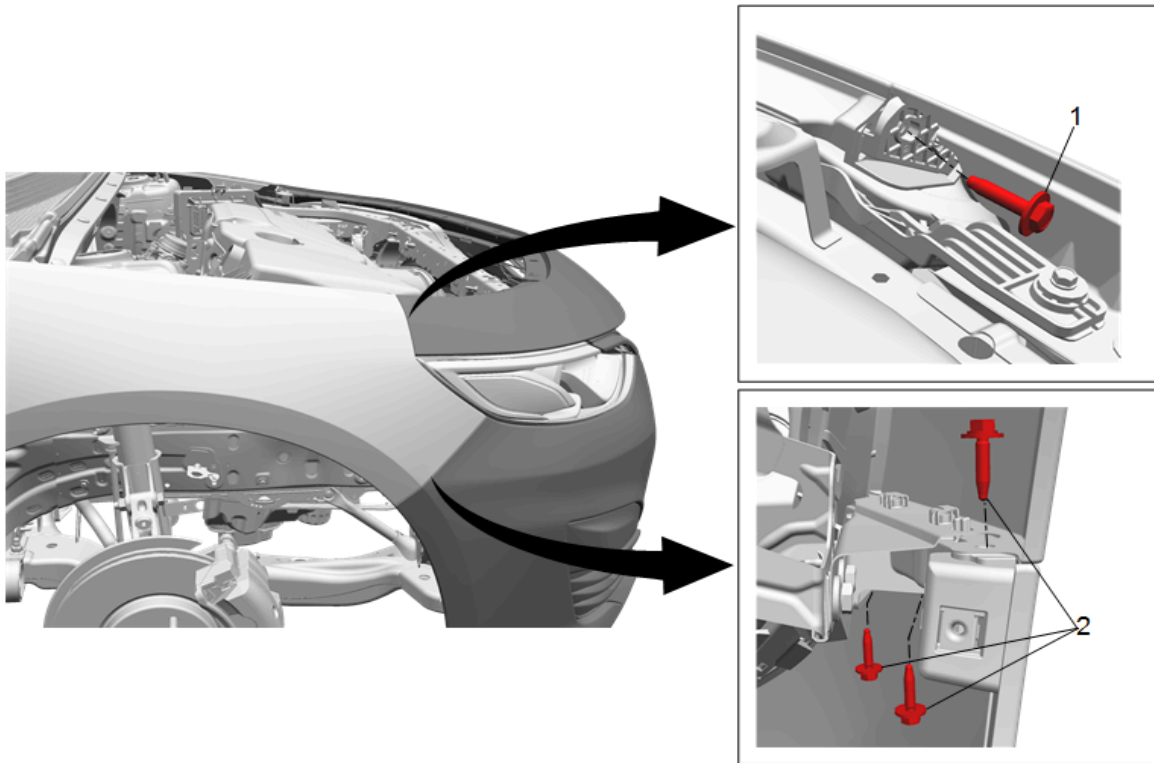
3. Raise and suitably support the vehicle. Refer to Vehicle Service Manual.
4. Remove the front wheel and tire assembly. Refer to Vehicle Service Manual.



5. Remove the front wheelhouse liner bolts (1) Qty: 6.
6. Remove the front wheelhouse liner screws (2) Qty: 5.
7. Remove the front wheelhouse liner retainer (3).
8. Upon reassembly tighten all bolts to 2.5 N.m (22 lb in).

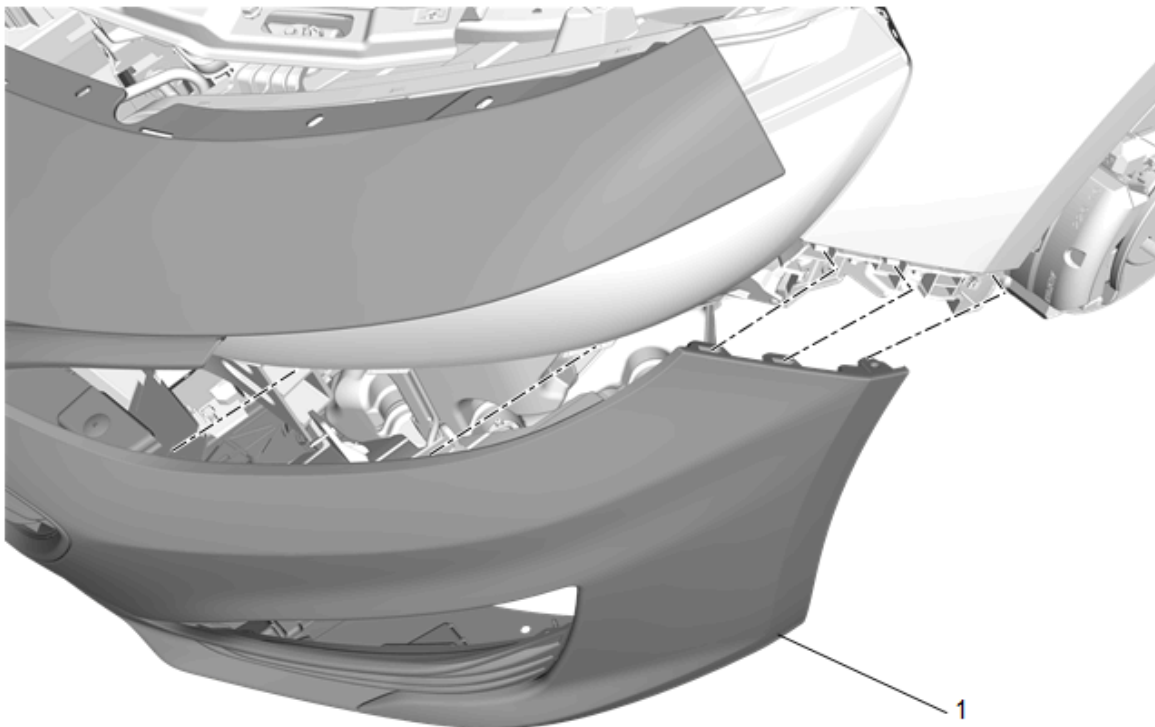


9. Remove the front compartment splash shield and air deflector bolts (1) Qty: 4.
10. Remove the front bumper fascia bolts (2) Qty: 5.
11. Upon reassembly tighten all bolts to 2.5 N.m (22 lb in).

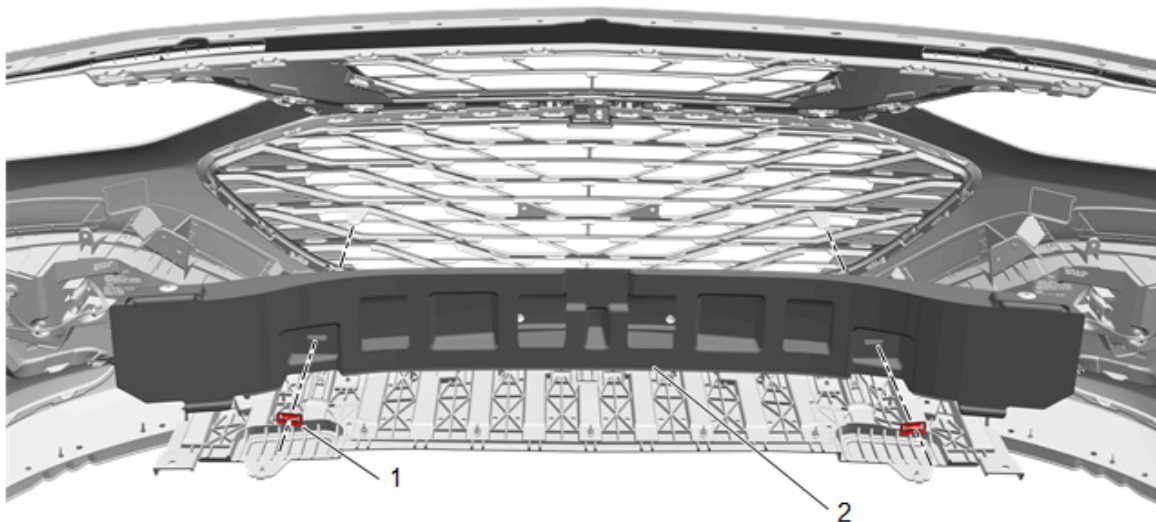


Note: Right side shown. Left side similar.

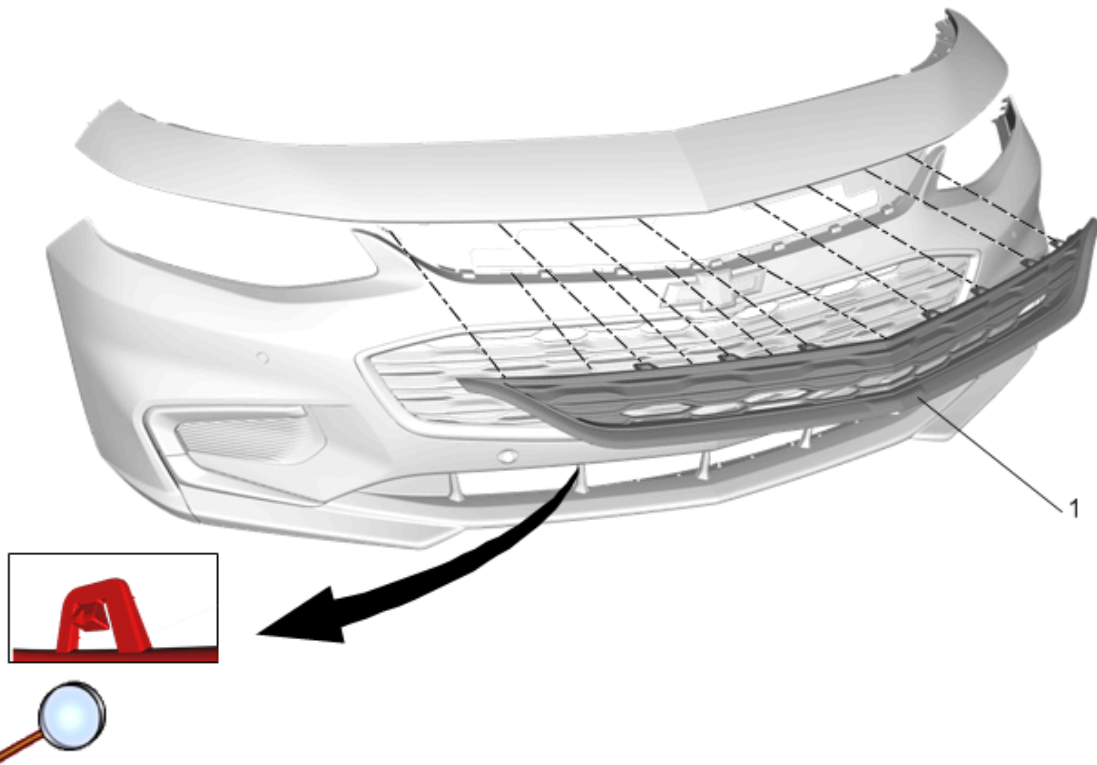
12. Remove the front bumper fascia guide bolts (1) Qty: 2. Upon reassembly tighten the bolts to 4 N.m (35 lb in).
13. Remove the front bumper fascia bolts (2) Qty: 6. Upon reassembly tighten the bolts to 2.5 N.m (22 lb in).



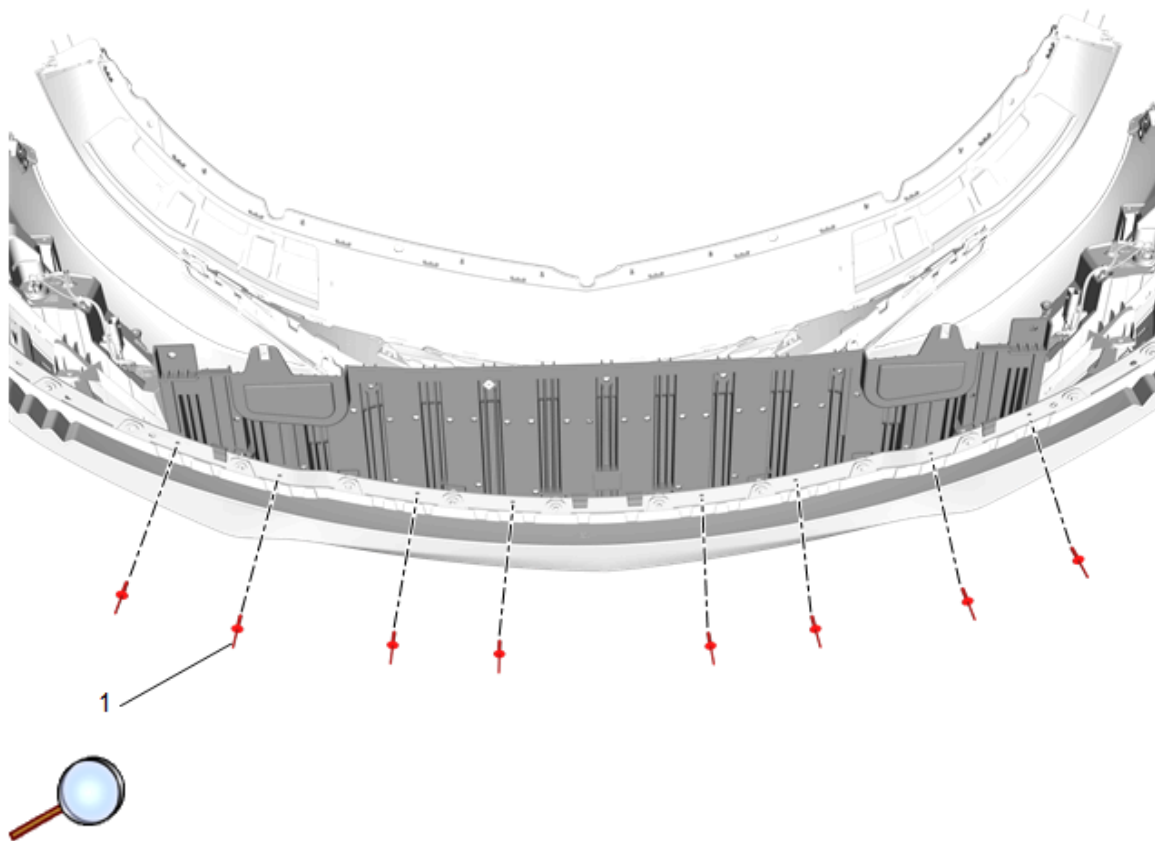
14. Carefully push a small nylon wedge between the fascia and the front fascia guide. Insert a small flat-bladed tool into the fascia slot and depress the snaps one at a time and pull on the fascia at the same time to gradually remove the fascia (1) from the front fascia guide.
15. Disconnect the electrical connectors.
16. Place the bumper fascia face down on a clean protected surface.



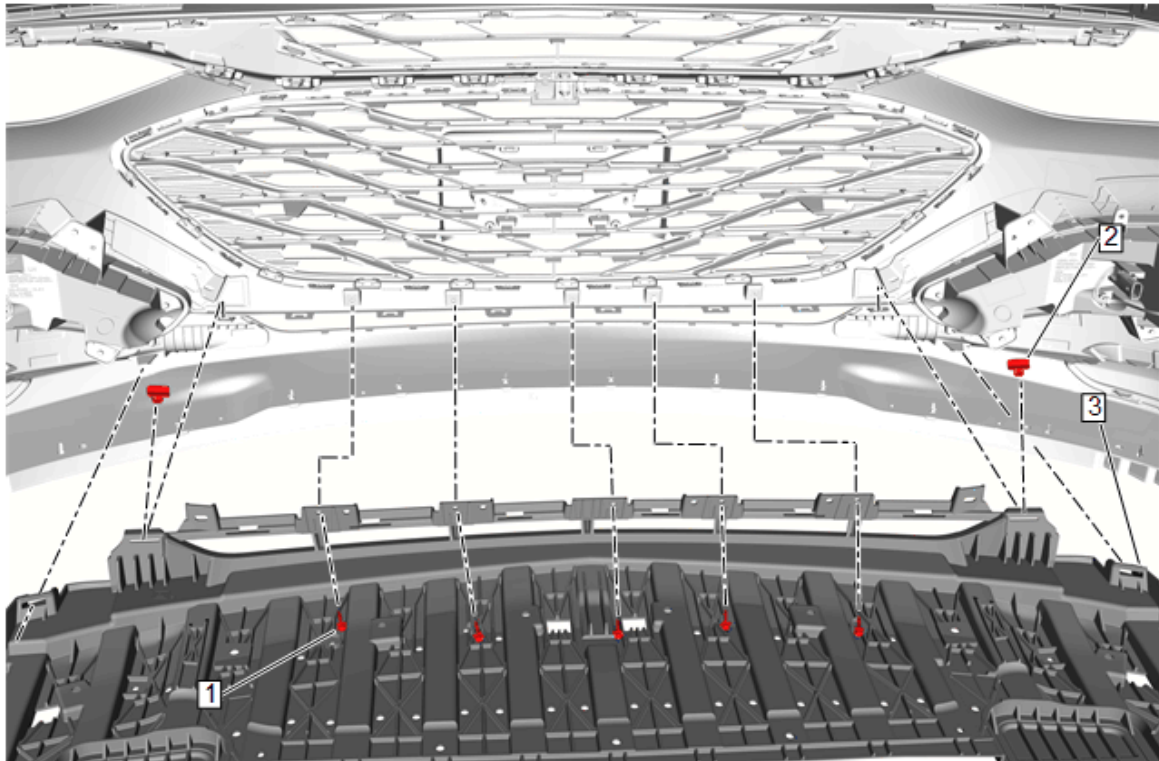
17. Remove the front bumper fascia retainer (1).
18. Reposition the wiring harness and remove the front bumper fascia energy absorber (2) by releasing the two retainers on each side of the absorber.



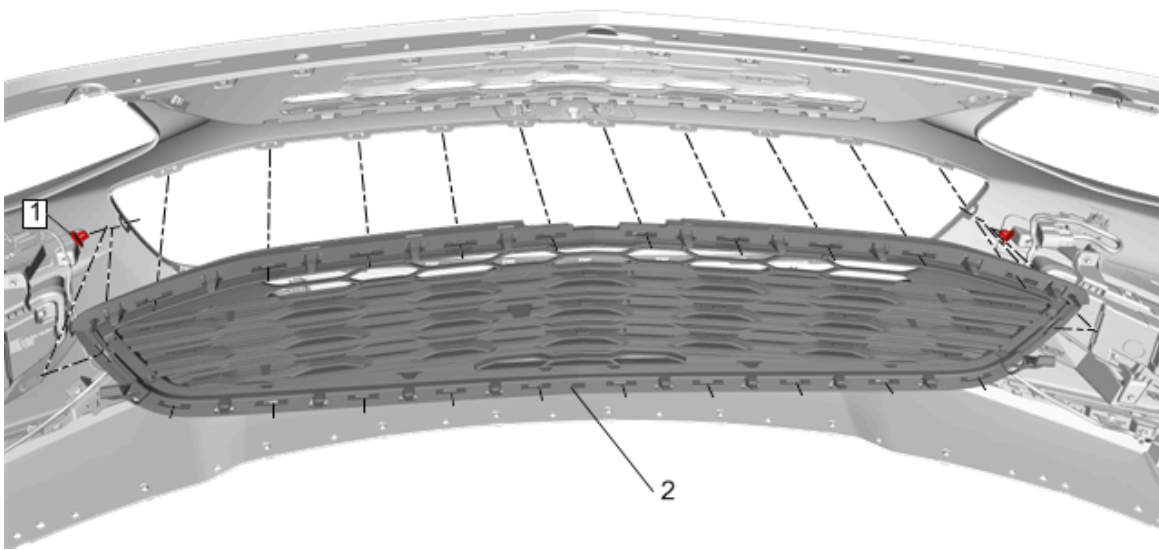
19. Using a suitable trim tool, release the locking tabs while carefully pulling the front upper grille (1) from the front fascia.



- Warning:** Refer to [Eye Protection Warning](#).
20. Drill and remove the front bumper fascia lower stiffener rivets (1) Qty: 8.



21. Remove the front bumper fascia lower stiffener bolts (1) Qty 5.
22. Remove the front bumper fascia lower stiffener clips (2) Qty 2.
23. Release the 2 retainer tabs and remove the front bumper fascia lower stiffener (3).



24. Remove the front grille clips (1) Qty:2.

© 2018 General Motors. All rights reserved.

25. Using a suitable trim tool, release the locking tabs while carefully pulling the front lower grille (2) from the front fascia.
26. Install the new accessory grills.
27. Install previously removed components in reverse order.