

Body Emblem Package Installation

Installation Instructions Part Number

84364466

Kit Contents

Qty	Description
1	Emblem Assembly GMC – Front
1	Emblem Assembly GMC – Endgate
1	Installation Instructions

Tools Required

Suitable small flat-bladed tool

Suitable plastic flat-bladed tool

Before you start

Note: For the nameplate to adhere best, the vehicle's mating surface (doors, rear compartment, etc.) should be free of damage (dents, scratches, creases, fractures, etc.).

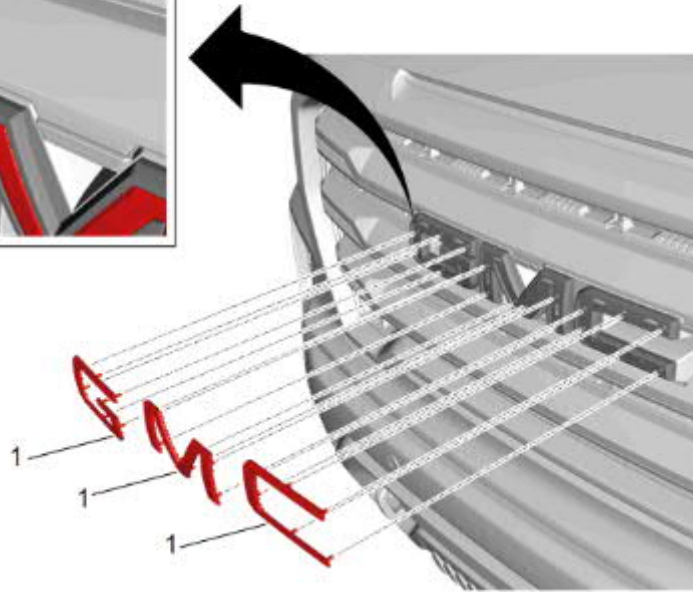
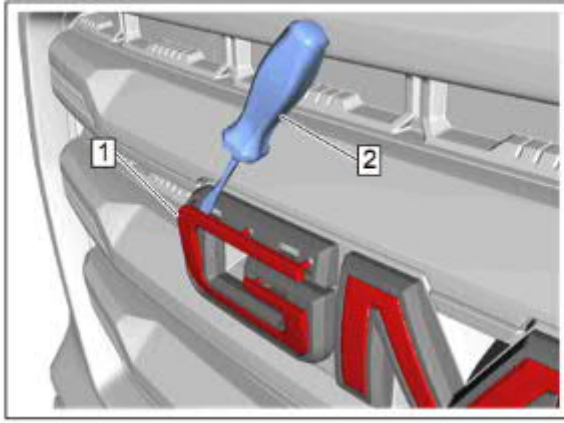
Caution: Do not use heat gun/hair dryer or apply excessive heat to the emblem/nameplate as this may damage the paint and surrounding panel surfaces during removal.

Caution: Use a plastic, flat-bladed tool to prevent paint damage when removing an emblem/nameplate. Do not use fishing line to remove nameplate as this may worsen the tape residue cleaning process. Use Isopropyl Alcohol and Lint Free Cloth to remove tape residue. Heavy foam/adhesive residue remaining on the painted surface can be removed using 3M's Scotch-Brite™ Molding Adhesive and Stripe Removal 4-inch Foam Disc.

Caution: Only install nameplates as a direct replacement of the existing vehicle content.

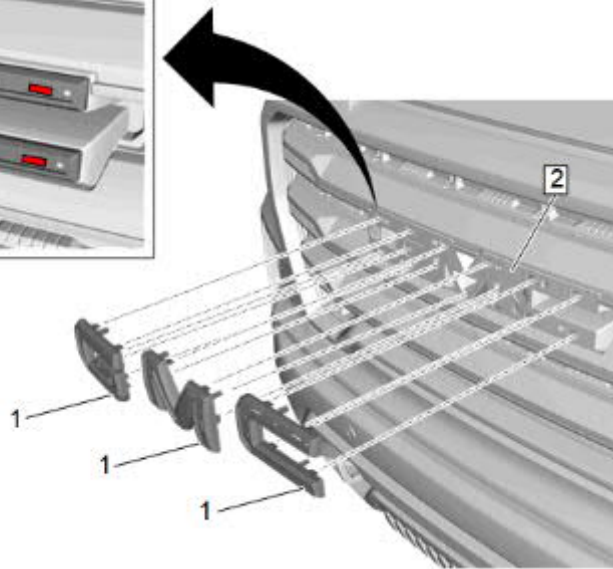
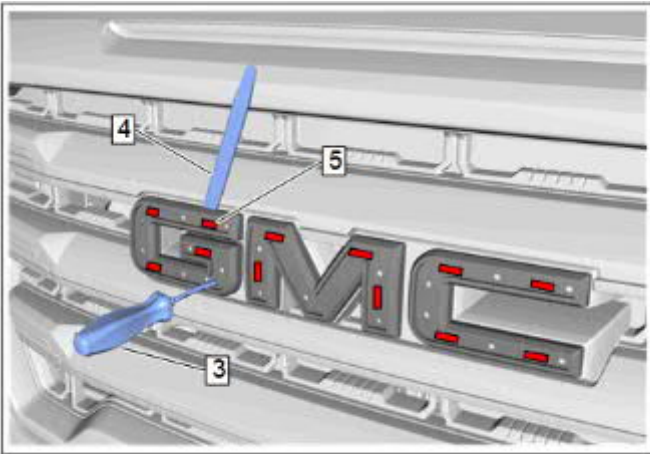
Procedure

- 1. Front GMC Emblem Replacement.** Read all instructions before performing procedure.
2. Inspect kit to verify all parts are included.
3. Turn off the vehicle.

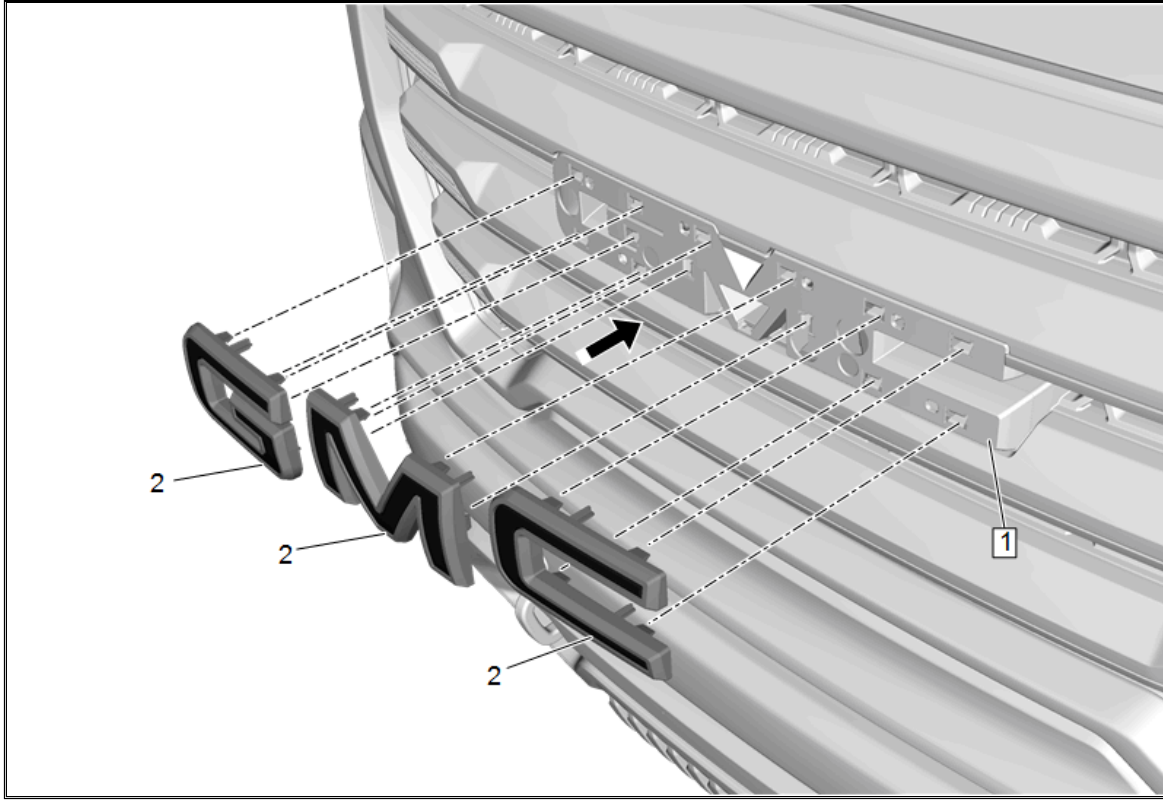


Note: Red emblems will be damaged and not suitable for re-use.

- Using a suitable small flat-bladed tool (2), carefully remove the red emblem insert (1) from each letter.



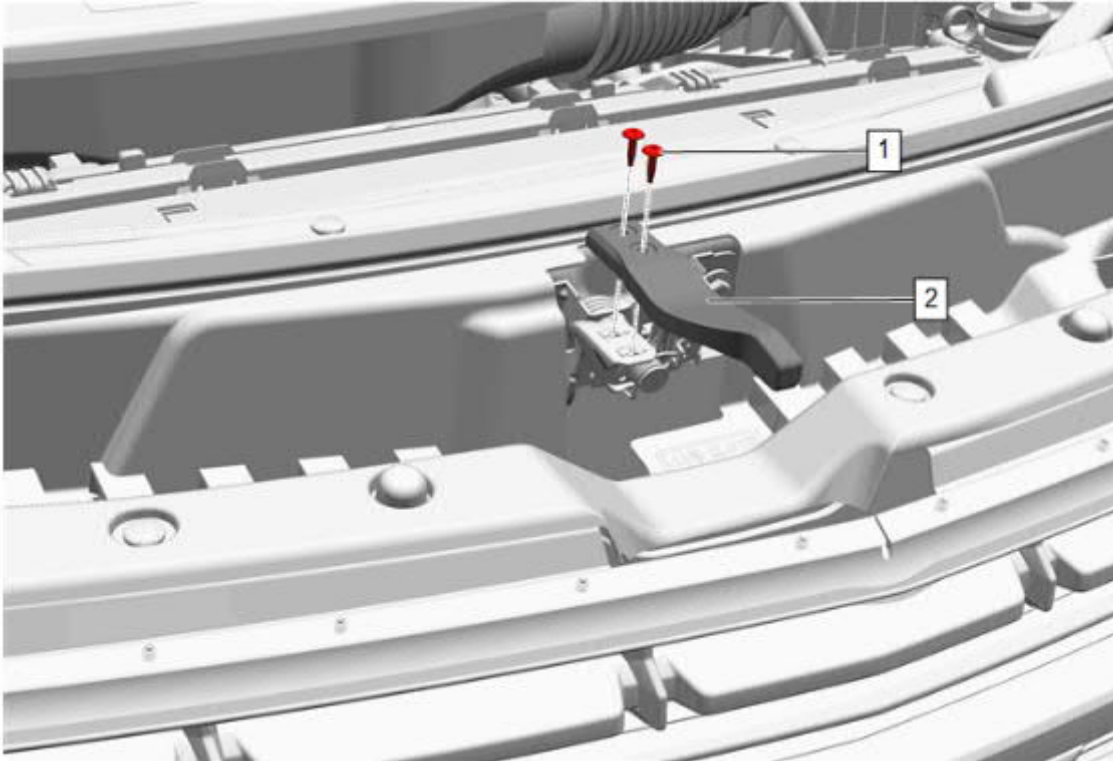
- Using a suitable small flat bladed tool (3), carefully disengage the retention tabs (5) while using a suitable plastic flat-bladed tool (4) behind the each letter bezel while pushing forward and remove each letter (1) from grille (2). Be careful to avoid damage to the retaining tabs in the grille (2), as this may result in loose fit of the new emblems.



6. Accurately position each letter (2) of the new emblem to grille (1) using the locating pins.
7. Install the new emblem, applying enough evenly distributed pressure to engage the locking/retention tabs. Make sure you hear the click sounds of the tabs engaging.

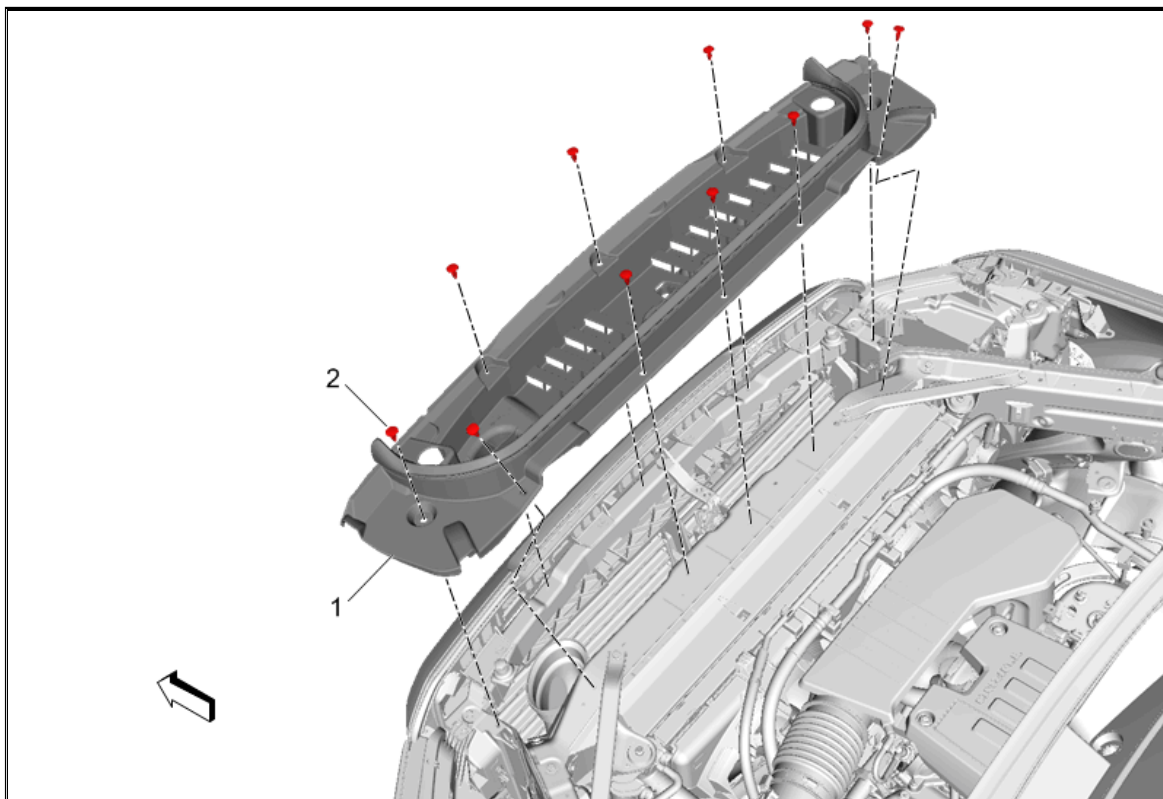


8. Verify that the emblem is fully seated and securely attached to the grille.
9. If grille emblem is loose, extra steps may need to be taken to make sure that emblem tabs are fully engaged.



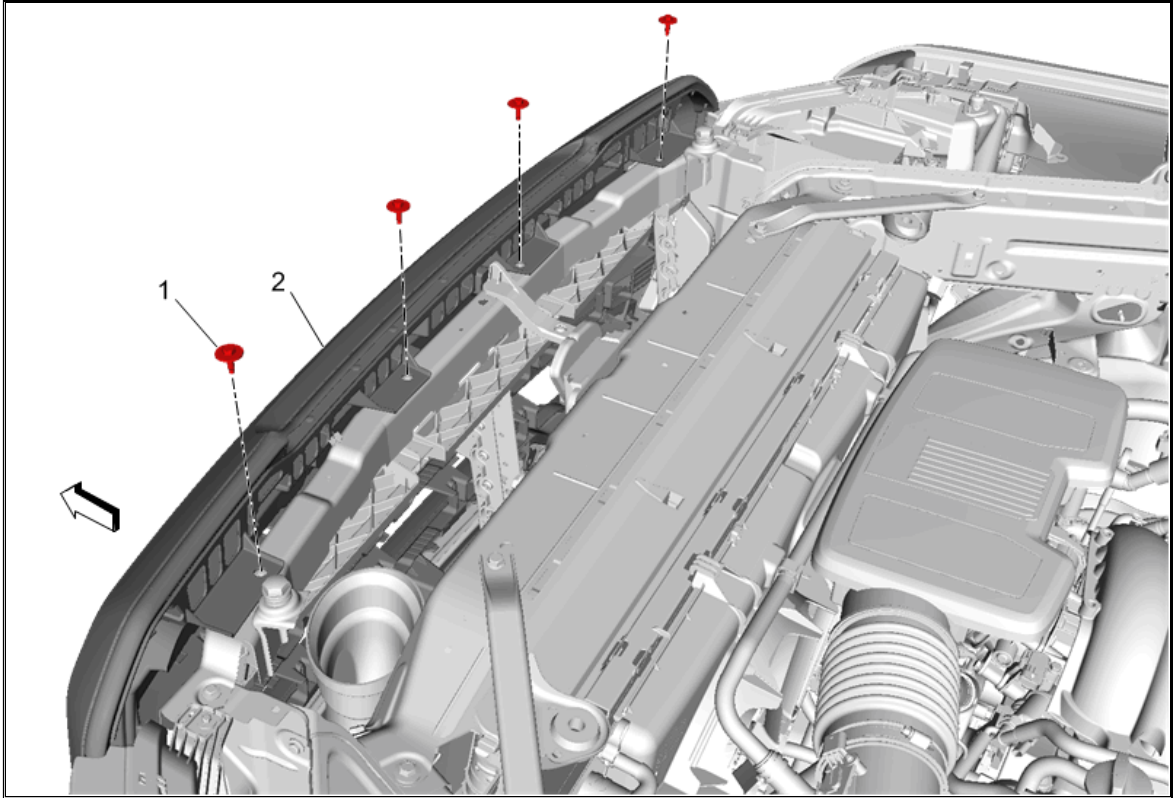
9.1. Hood Latch Actuator Bolt (1) » Remove [2x]

9.2. Hood Secondary Latch Release Handle (2) » Remove

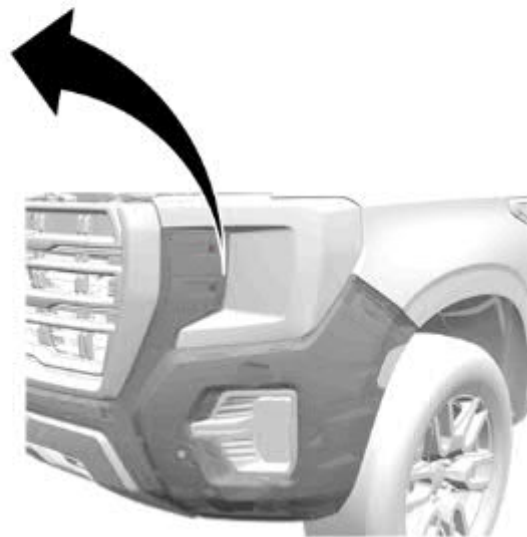
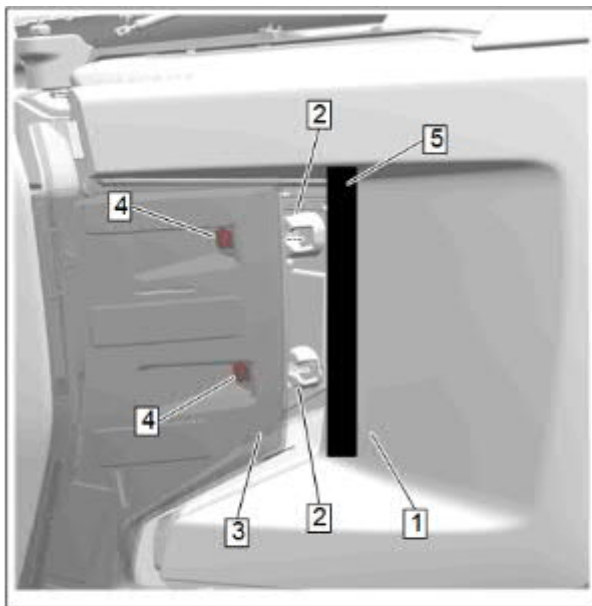


9.3. Remove and retain the front compartment front sight shield push-in retainers (2).

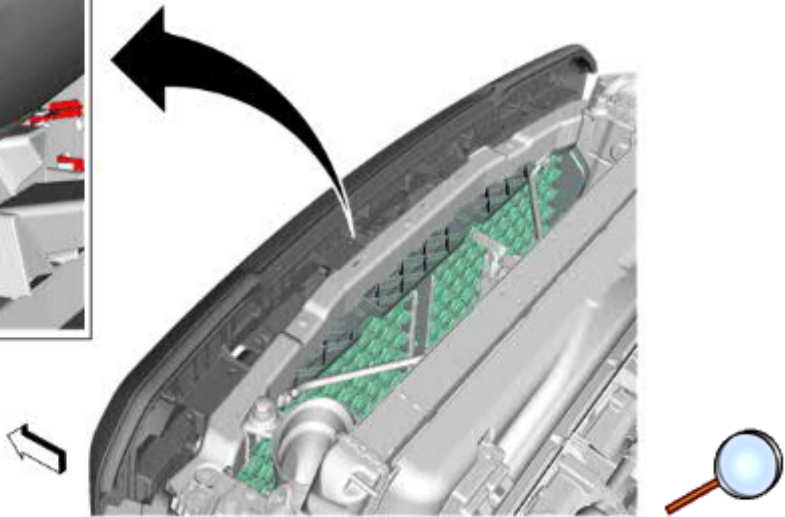
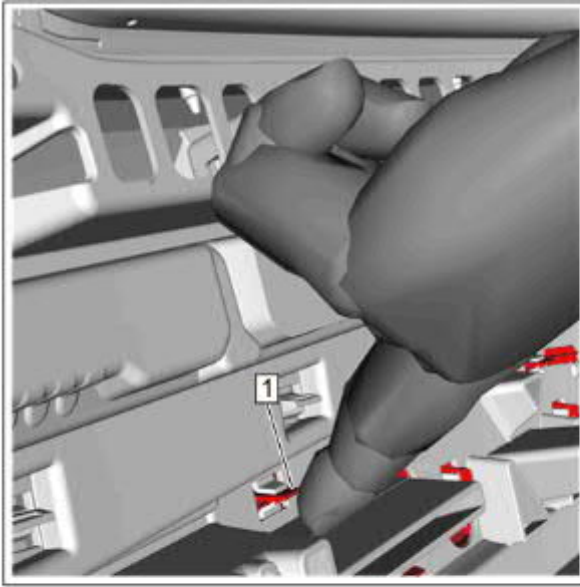
9.4. Remove the front compartment front sight shield (1).



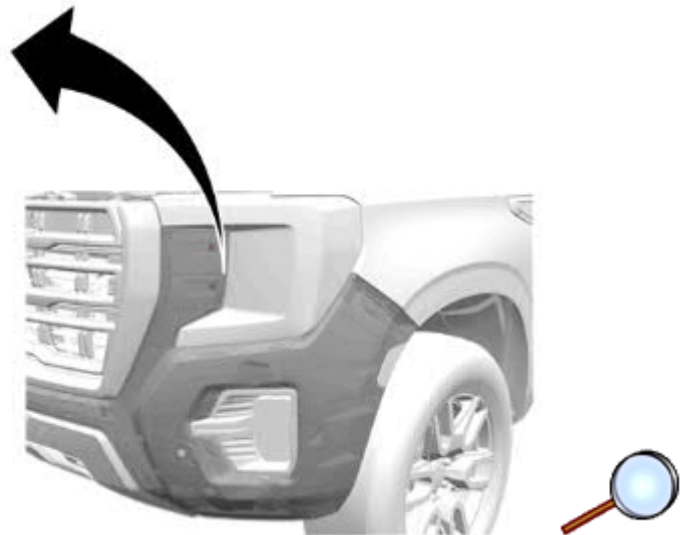
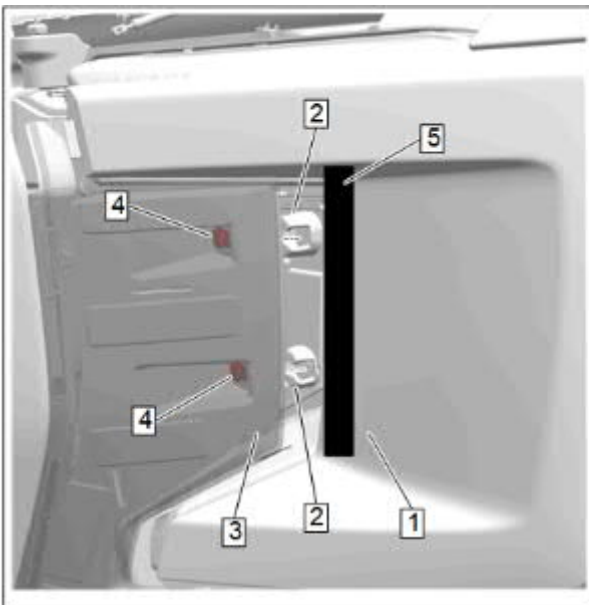
9.5. Remove and retain the upper bolts (1) from the front grille (2).



- 9.6. Apply a layer of masking tape (5) to the inside of the headlamp (1) to prevent damaging / scratching the headlamp lens.
- 9.7. Starting at the inside of the headlamp, remove the upper part of front bumper fascia (3) by disengaging the two W-clips (4) from retainers (2). Repeat steps 9.6 and 9.7 for opposite side.

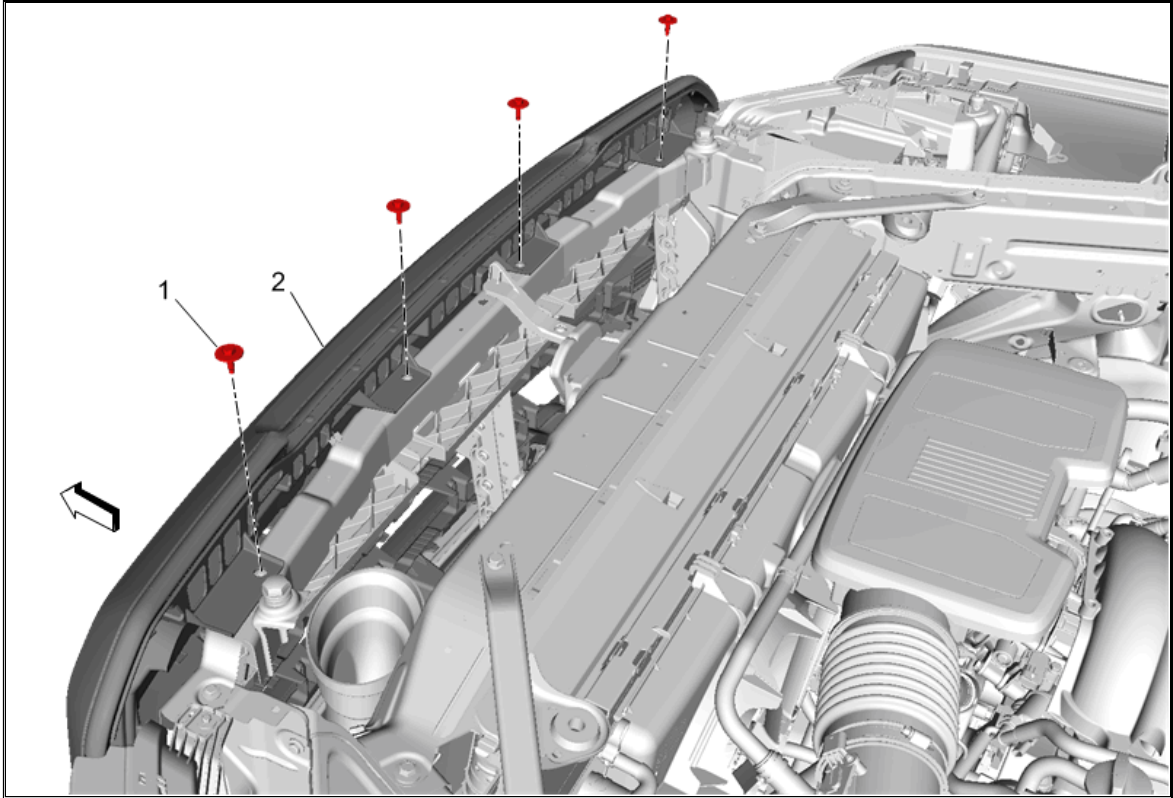


9.8. Make a gap between the front grille and aero shutters by slowly pulling front grille forward and reaching down with hand to the emblem tabs (1) one by one and gently move any non-engaged tab up/down or left/right, depending on tab orientation, until the tab is fully seated or unless you hear an audible click sound of tab being engaged.



9.9. Reinstall the front bumper fascia (3) by engaging the two W-clips (4) to the retainers (2).

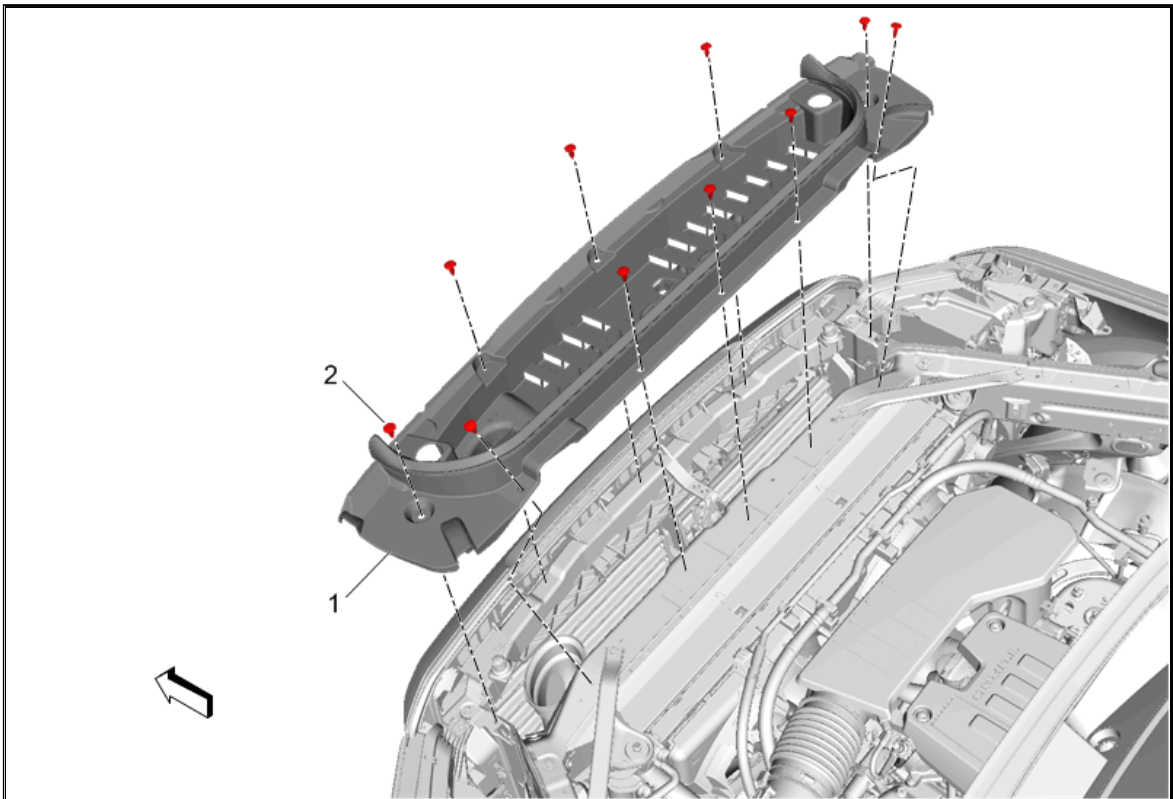
9.10. Remove masking tape (5) from the inside of the headlamp (1). Repeat steps 9.9 and 9.10 for opposite side



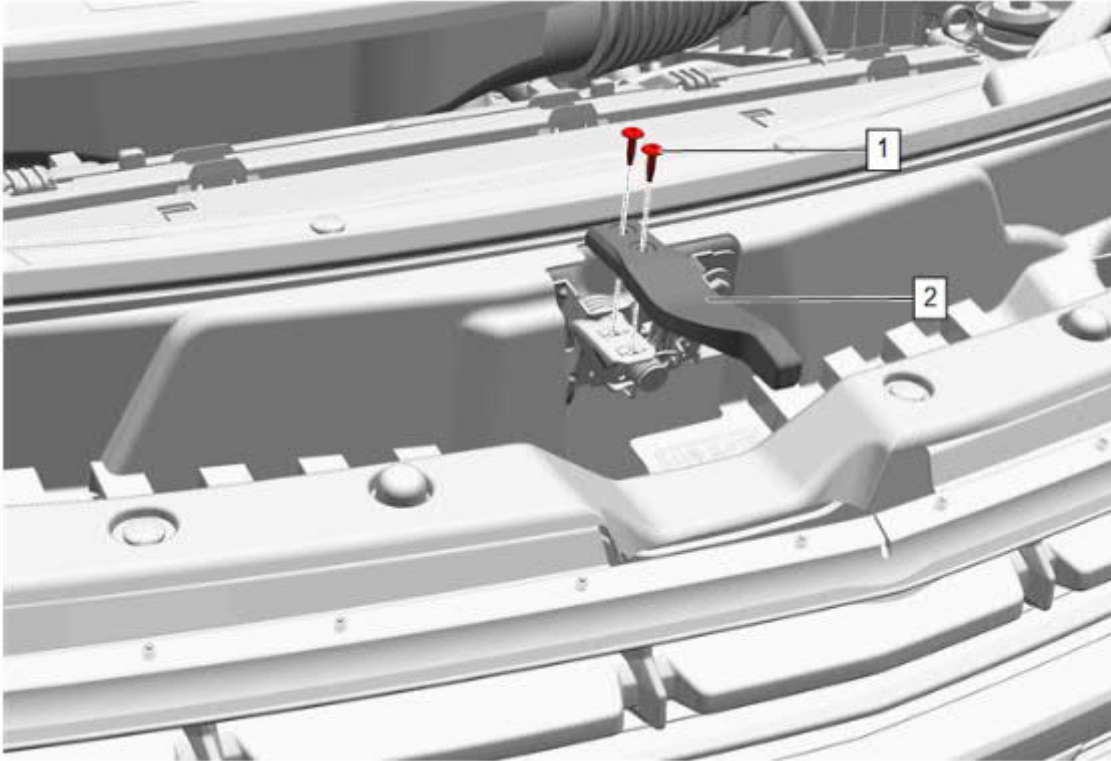
9.11. Re-install the previously retained upper bolts (1) to the front grille (2).

Tighten

Tighten the bolts to 7 N.m (62 lb in).



9.12. Re-install the front compartment front sight shield (1) and the previously retained front compartment front sight shield push-in retainers (2).



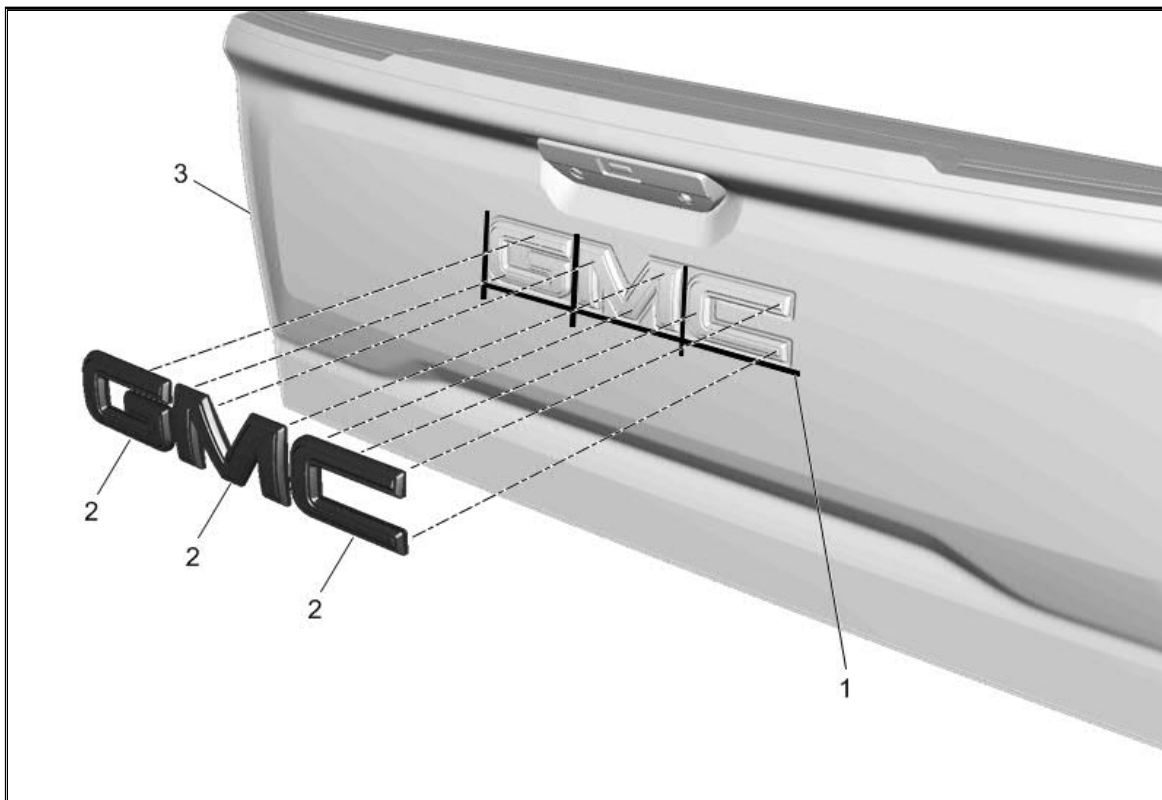
9.13. Hood Secondary Latch Release Handle (2) » Install

9.14. Install hood latch actuator bolt (1) [2x]. Tighten bolts to 2.5 N.m (22 lb in).

© 2024 General Motors. All rights reserved.

Rear GMC Emblem Replacement

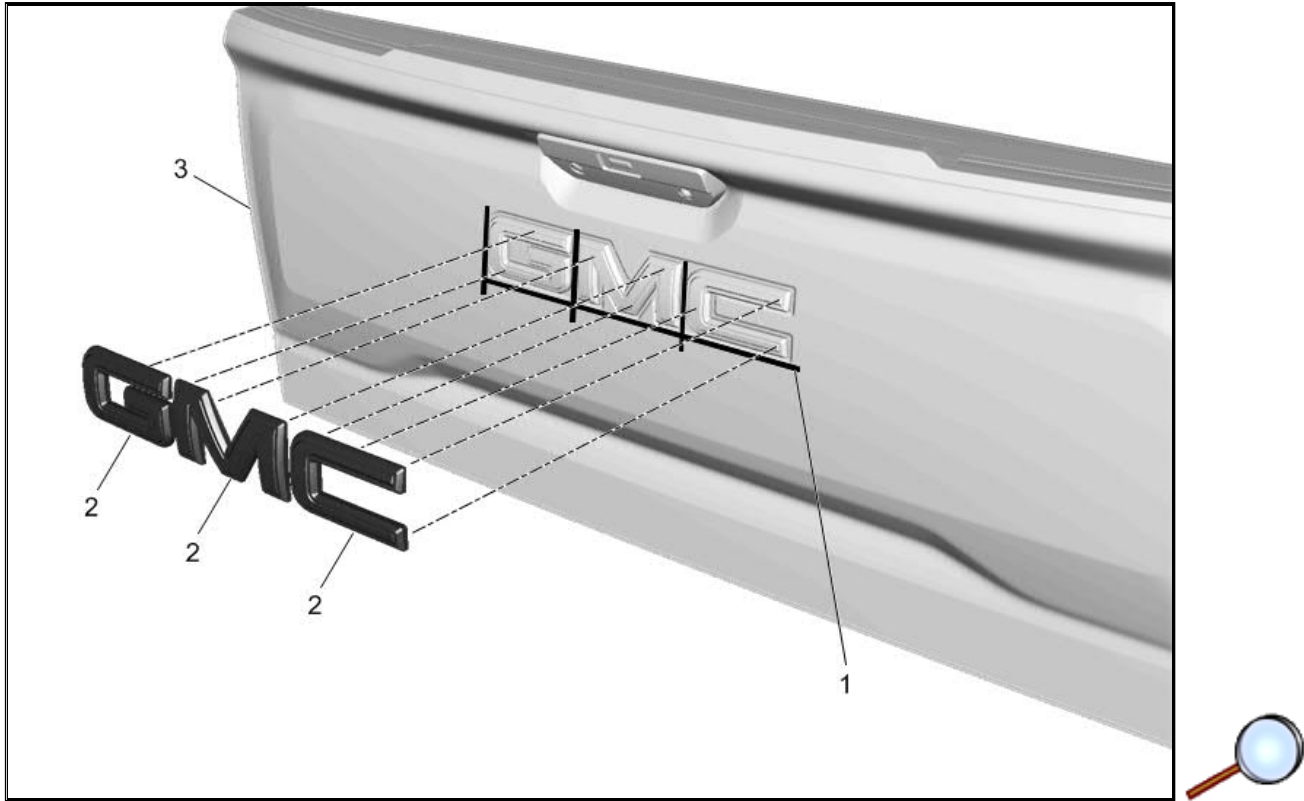
1. Turn off vehicle.
2. If there is an existing emblem on the endgate:



- 2.1. Mark the position of the emblem with a washable marker or masking tape (1) prior to removal.
- 2.2. Carefully use a suitable plastic flat-bladed tool to assist in removal of the existing emblem (2) from the endgate surface (3).
- 2.3. Clean any remaining residue with a 50/50 mixture by volume of isopropyl alcohol and clean drinkable water. Wipe surface dry with a clean lint-free towel.

3. Installing the Rear Emblem:

- 3.1. The part surface should be 21°C (70°F) prior to installation. The vehicle should remain 21°C (70°F) for one hour after assembly to allow adhesive to develop sufficient bond strength.
- 3.2. When removing protective liners from the adhesive tape, be careful not to touch tape with hands and do not allow tape to come in contact with dirt or any foreign matter prior to adhesion.



- 3.3. Position new emblem (2) carefully within reference marks (1) and place on prepared surface of endgate (3).
- 3.4. Using the palm of the hand, apply strong pressure to all areas of the emblem to ensure full adhesion is achieved.
- 3.5. Carefully remove any markings or tape used to locate the rear emblem. Clean the endgate surface as needed.