



Chevrolet Camaro SC1 Suspension Handling Kit SUSPENSION REMOVAL & INSTALLATION INSTRUCTIONS

Thank you for choosing Chevrolet Performance as your high performance source. Chevrolet Performance is committed to providing proven, innovative performance technology that is truly... more than just power. Chevrolet Performance parts are engineered, developed and tested to exceed your expectations for fit and function. Please refer to our catalog for the Chevrolet Performance Authorized Center nearest you or visit our website at www.chevroletperformance.com.

It is not the intent of these specifications to replace the comprehensive and detailed service practices explained in the GM service manuals. For detailed installation instructions please look to the service manual for your specific vehicle.

GM service manuals are available from:

Helm Incorporated
PO Box 07130
Detroit, MI 48207

For information about warranty coverage, please contact your local Chevrolet Performance parts dealer.

Observe all safety precautions and warnings in the service manuals when installing this kit in any vehicle. Wear eye protection and appropriate protective clothing. Support the vehicle securely with jack stands when working under or around it. Use only the proper tools. Exercise extreme caution when working with flammable, corrosive, and hazardous liquids and materials. Some procedures require special equipment and skills. If you do not have the appropriate training, expertise, and tools to perform any part of this conversion safely, this work should be done by a professional.

The information contained in this publication is presented without any warranty. All the risk for its use is entirely assumed by the user. Specific component design, mechanical procedures, and the qualifications of individual readers are beyond control of the publisher, and therefore the publisher disclaims all liability incurred in connection with the use of the information provided in this publication.

Chevrolet, Chevy, the Chevrolet Bow Tie Emblem, General Motors, and GM are all Registered trademarks of the General Motors Corporation.

TITLE Camaro Suspension Kit	IR 11AP19	PART NO. 84401189	SHEET 1 OF 54
------------------------------------	------------------	--------------------------	----------------------

ALL INFORMATION WITHIN ABOVE BORDER TO BE PRINTED EXACTLY AS SHOWN ON 8 1/2 x 11 WHITE 16 POUND BOND PAPER. PRINT ON BOTH SIDES, EXCLUDING TEMPLATES. TO BE UNITIZED IN ACCORDANCE WITH GM SPECIFICATIONS.	DATE	REVISION	AUTH
	14AU17	Initial Release - Chase Birks	2844829
	11AP19	Revision - Lawrence Wong	2844829



Camaro Suspension Kit Contents:

Front Stabilizer Bar	1
LH Front Handling Link	1
RH Front Handling Link	1
Rear Stabilizer Bar	1
Nut - Front Handling Link	2
Bolt - Front Handling Link	2
Nut - Front Stabilizer Bar	4
Chevrolet Performance Emblem	1

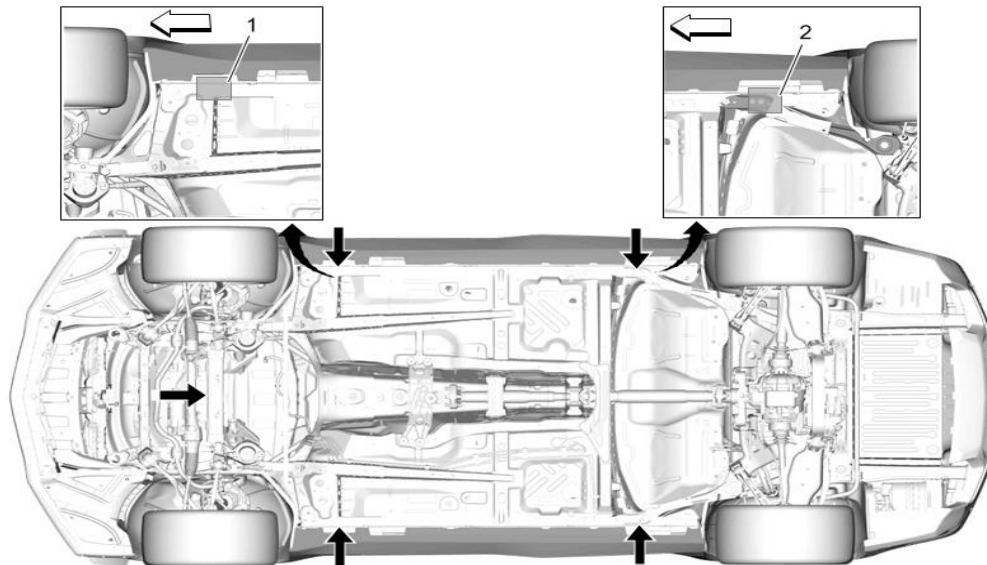
Recommended Tools

- CH-42188-B Ball Joint Separator
- J-36660-A Torque Angle Meter
- Torque Wrench (10-150 ft-lbs)

Lifting and Jacking the Vehicle

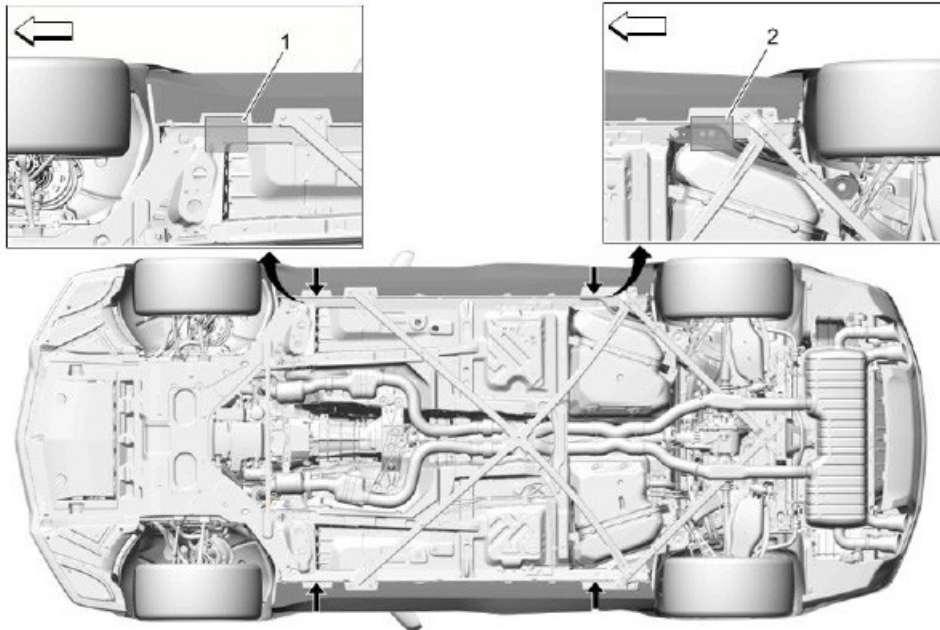
Note: The use of a LOW PROFILE LIFT ARMS SYSTEM may be required to avoid unwanted contact with the vehicle's body and structure depending on lifting equipment used. Refer to the manufacturer's recommendation for their applications of low profile lift arms system for their lifting equipment.

Coupe Lift and Jacking Locations



DATE	REVISION	AUTH
14AU17	Initial Release - Chase Birks	2844829
11AP19	Revision - Lawrence Wong	2844829

Convertible Lift and Jacking Locations



Danger: To avoid any vehicle damage, serious personal injury or death:

- When major components are removed from the vehicle and the vehicle is supported by a hoist, support the vehicle with jack stands at the opposite end from which the components are being removed and strap the vehicle to the hoist.
- When performing work in the engine compartment or under the vehicle, ensure that the hood is fully open, or opened to its secondary latch. When the hood is opened to the secondary latch, the vehicle will disable the remote start features from the key fob and OnStar mobile app. Failure to open the hood, or open the hood to the secondary latch while doing a repair in the engine compartment or under the vehicle can result in inadvertent vehicle starting which could result in personal injury or damage to a vehicle.

Danger: To avoid any vehicle damage, serious personal injury or death, always use the jackstands to support the vehicle when lifting the vehicle with a jack.

Caution: Perform the following steps before beginning any vehicle lifting or jacking procedure:

- Remove or secure all of the vehicle contents in order to avoid any shifting or any movement that may occur during the vehicle lifting or jacking procedure.
- The lifting equipment or the jacking equipment weight rating must meet or exceed the weight of the vehicle and any vehicle contents.
- The lifting equipment or the jacking equipment must meet the operational standards of the lifting equipment or jacking equipment manufacturer.
- Perform the vehicle lifting or jacking procedure on a clean, hard, dry, level surface.
- Perform the vehicle lifting or jacking procedure only at the identified lift points. DO NOT allow the lifting equipment or jacking equipment to contact any other vehicle components.

Failure to perform the previous steps could result in damage to the lifting equipment or the jacking equipment, the vehicle, and/or the vehicle contents.



Vehicle Lifting– Frame Contact Lift

Note: The vehicle should be lifted so that the hoist pads and or lift arms do not contact the rocker panel molding. The hoist pad must be located in the designated area. In the front location, place the lift pads on the rocker outer panel weld flange. In the rear location, place the lift pads on the rocker outer panel rear cradle brace. Care should be taken to ensure the hoist pad is inside the rocker panel molding cut out area (notch) to prevent damage to the vehicle.

Front Lift Pads

When lifting the vehicle with a frame-contact lift, place the front lift pads on the rocker outer panel weld flange (1), as shown

Rear Lift Pads

When lifting the vehicle with a frame-contact lift, place the rear lift pads on the rocker outer panel weld flange (2), as shown.

Vehicle Jacking

Caution: When you are jacking the vehicle at the front locations, be certain that the jack or the jack lift pad does not contact the front fascia, front fascia air dam, or the front fenders. If such contact occurs, vehicle damage may result. When jacking at selected front locations additional clearance may be required for the jacking points.

Note: When you are lifting a vehicle with a service jack, block the wheels at the opposite end from which you are lifting. Use jack stands to provide additional support.

Front of Vehicle

When using a service jack under the front of the vehicle use one of the following locations:

Place the service jack pad in the same location as shown for the front lift pads or on the front center jack pad.

Rear of Vehicle

Note: Place jackstands ONLY under strong and stable vehicle structures.

Place the service jack pad in the same location as shown for the rear lift pads.

Fastener Caution

Caution: Use the correct fastener in the correct location. Replacement fasteners must be the correct part number for that application. Do not use paints, lubricants, or corrosion inhibitors on fasteners, or fastener joint surfaces, unless specified. These coatings affect fastener torque and joint clamping force and may damage the fastener. Use the correct tightening sequence and specifications when installing fasteners in order to avoid damage to parts and systems. When using fasteners that are threaded directly into plastic, use extreme care not to strip the mating plastic part(s). Use hand tools only, and do not use any kind of impact or power tools. Fastener should be hand tightened, fully seated, and not stripped.

Torque-to-Yield Fastener Warning

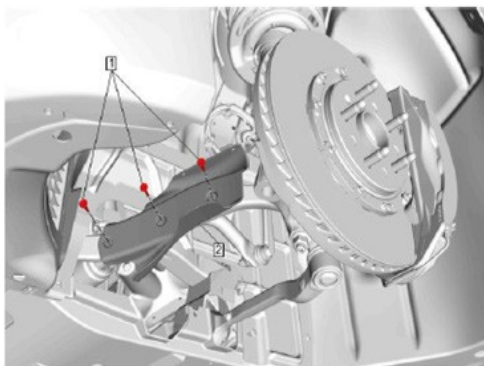
Warning: This vehicle is equipped with torque-to-yeild or single use fasteners. Install a NEW torque-to-yeild or single use fastener when installing this component. Failure to replace the torque-to-yeild or single use fasteners could cause damage to the vehicle, component, or bodily injury.

TITLE Camaro Suspension Kit	IR 11AP19	PART NO. 84401189	SHEET 4 OF 54
------------------------------------	------------------	--------------------------	-----------------------------

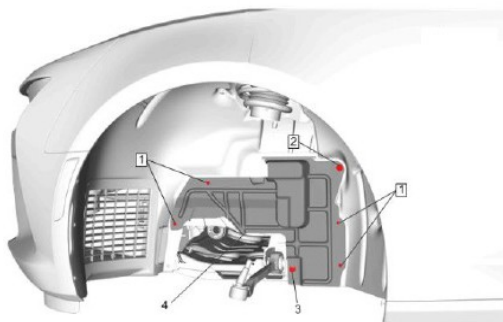
ALL INFORMATION WITHIN ABOVE BORDER TO BE PRINTED EXACTLY AS SHOWN ON 8 1/2 x 11 WHITE 16 POUND BOND PAPER. PRINT ON BOTH SIDES, EXCLUDING TEMPLATES. TO BE UNITIZED IN ACCORDANCE WITH GM SPECIFICATIONS.	DATE	REVISION	AUTH
	14AU17	Initial Release - Chase Birks	2844829
	11AP19	Revision - Lawrence Wong	2844829

Removal Procedure

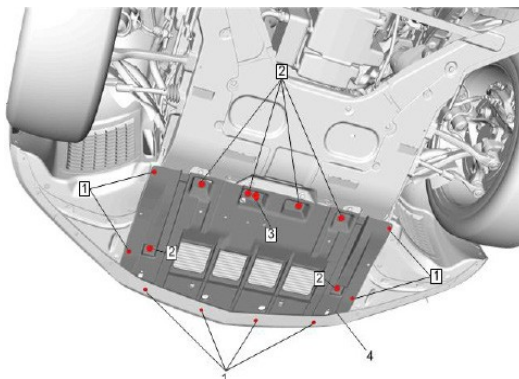
1. Remove the front tire and wheel assembly.



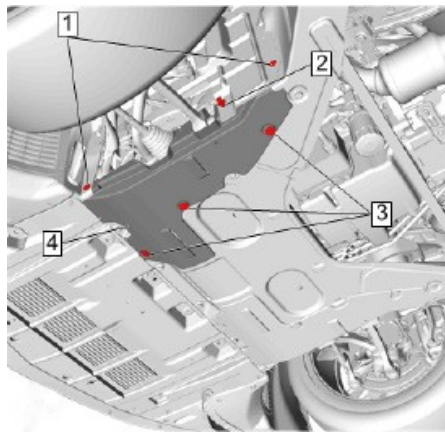
2. Front Brake Rotor Cooling Duct Deflector Bolt (1) » Remove [3x]



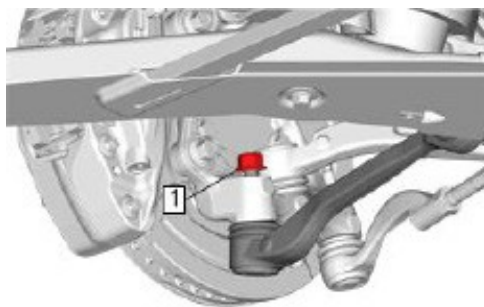
3. Front Wheelhouse Splash Shield Fasteners (1) » Remove [4x]
4. Front Wheelhouse Splash Shield Fasteners (2) » Remove
5. Front Wheelhouse Splash Shield Retainer (3) » Remove
6. Front Wheelhouse Splash Guard (4) » Remove



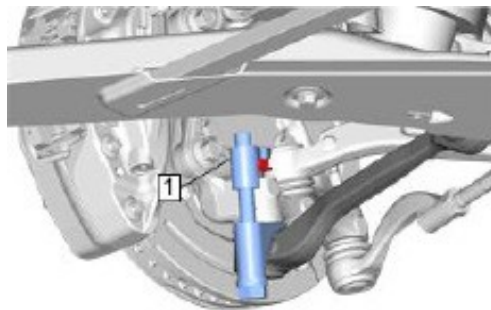
7. Front Compartment Air Deflector Fasteners (1) » Remove [8x]
8. Front Compartment Air Deflector Fasteners (2) » Remove [6x]
9. Front Compartment Air Deflector Retainer (3) » Remove
10. Front Compartment Air Deflector (4) » Remove



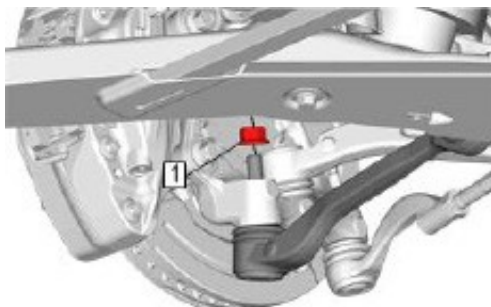
- 11. Front Compartment Side Noise Shield Fastener (1) » Remove
- 12. Front Compartment Side Noise Shield Fastener (3) » Remove [3x]
- 13. Front Compartment Side Noise Shield (4) » Remove



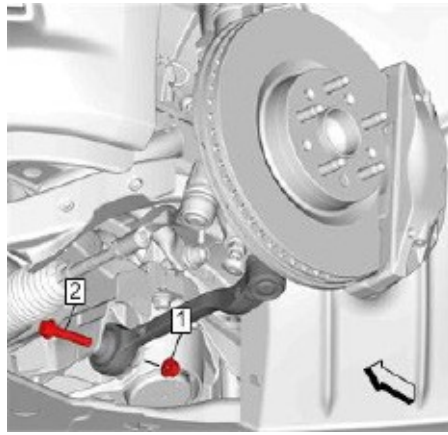
- 14. Steering Knuckle Nut (1) » Loosen
Do NOT remove the nut.



- 15. Use the *CH-42188-B* separator (1) to separate the front lower control front link from the steering knuckle.



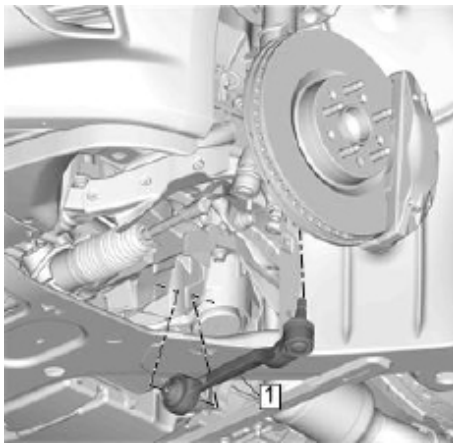
- 16. Steering Knuckle Nut (1) » Remove



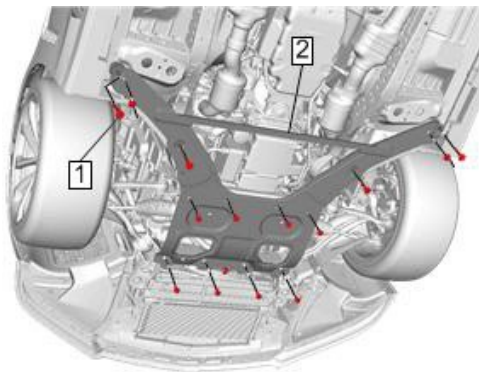
17. Front Lower Control Rear Link Nut (1) » Remove

Caution: Use caution when removing components surrounding the Steering Gear Boots. Avoid tool contact with the steering gear boot and clamps. Damage to the steering gear boot may lead to dirt and water contamination in the steering gear rack and components requiring a preventable replacement of the Steering Gear and its Components.

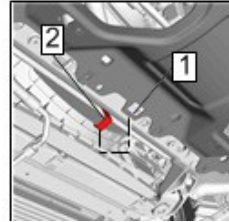
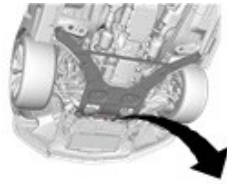
18. Front Lower Control Rear Link Bolt (2) » Remove and DISCARD the bolt.



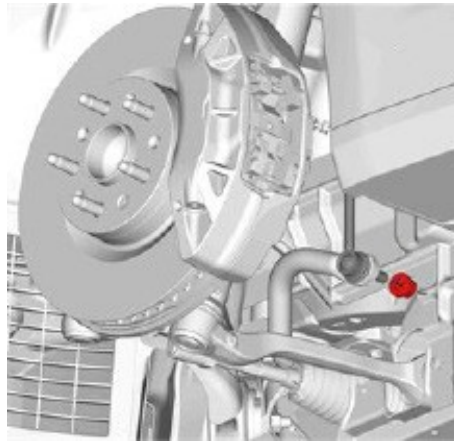
19. Remove the front lower control rear link (1) from the vehicle.



20. Front Cradle Shear Plate Fastener (1) » Remove



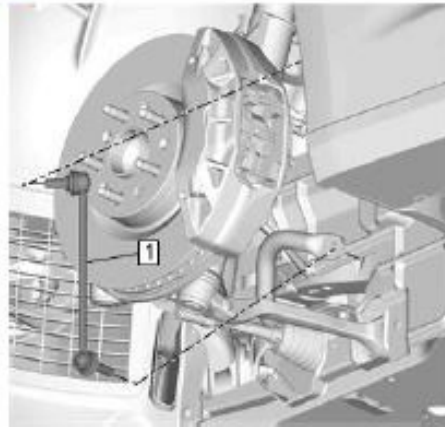
21. Front Cradle Shear Plate (1) @ Front Cradle Shear Plate Hook (2) » Remove



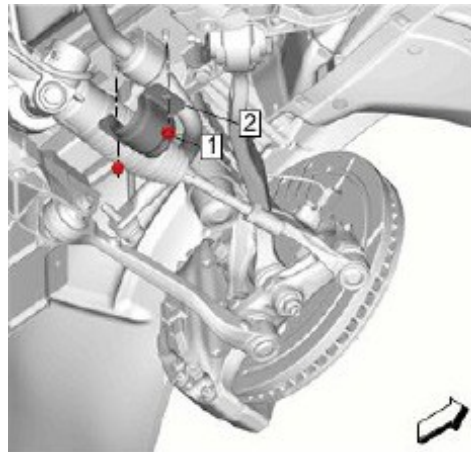
22. Front Stabilizer Shaft Link Nut (1) @ Stabilizer Shaft » Remove and DISCARD nut



23. Front Stabilizer Shaft Link Nut (1) @ StrutAssembly » Remove and DISCARD nut

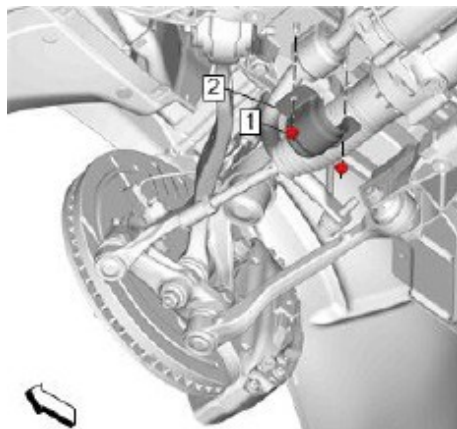


24. Remove the front stabilizer shaft link (1) from the vehicle



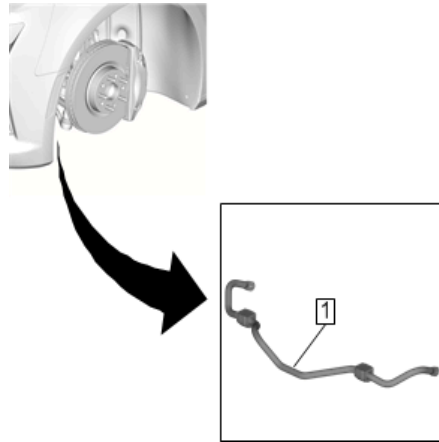
Caution: Use caution when removing components surrounding the Steering Gear Boots. Avoid tool contact with the steering gear boot and clamps. Damage to the steering gear boot may lead to dirt and water contamination in the steering gear rack and components requiring a preventable replacement of the Steering Gear and its Components.

25. Using a swivel socket, remove the left side front stabilizer shaft insulator clamp nuts (1) and clamp (2).



Caution: Use caution when removing components surrounding the Steering Gear Boots. Avoid tool contact with the steering gear boot and clamps. Damage to the steering gear boot may lead to dirt and water contamination in the steering gear rack and components requiring a preventable replacement of the Steering Gear and its Components.

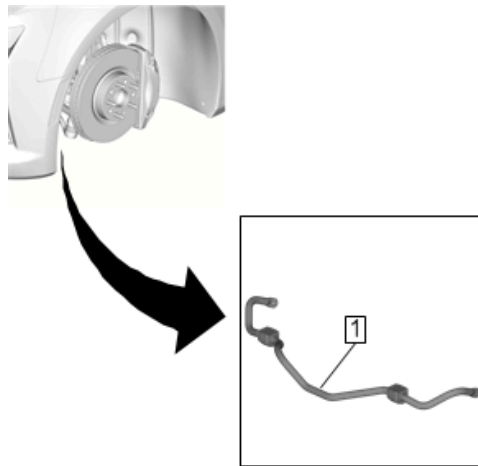
26. Using a swivel socket, remove the right side front stabilizer shaft insulator clamp nuts (1) and clamp (2).



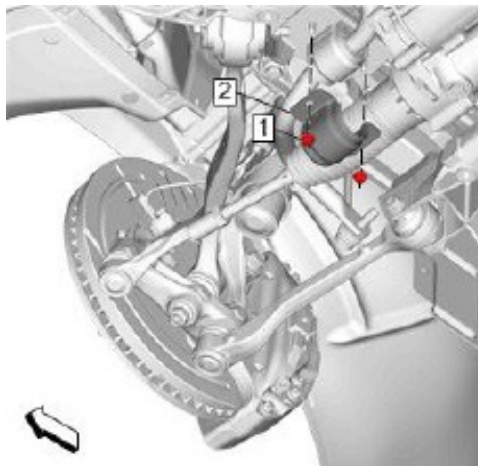
Note: The front stabilizer shaft insulators are NOT serviceable. Do NOT transfer the insulators.

27. Remove the front stabilizer shaft (1) from the vehicle.

Installation Procedure



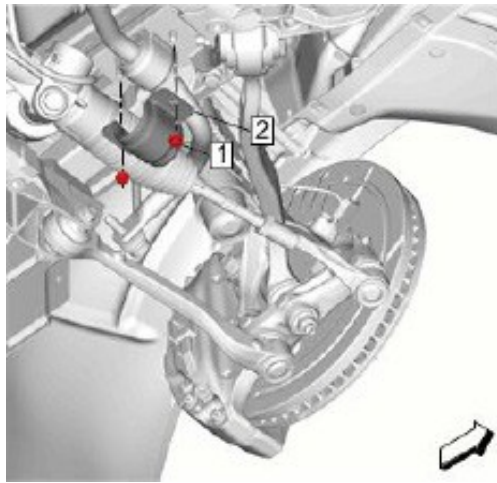
1. Position the front stabilizer shaft (1) on the vehicle.



Caution: Refer to Fastener Caution.

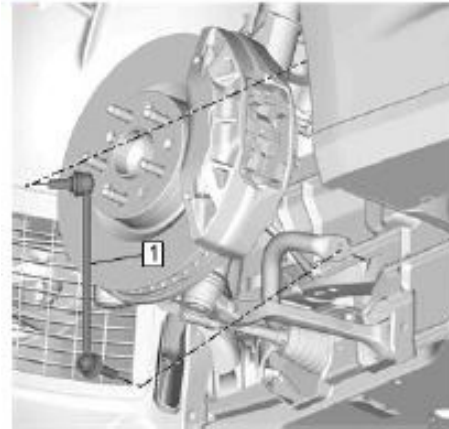
Caution: Use caution when removing components surrounding the Steering Gear Boots. Avoid tool contact with the steering gear boot and clamps. Damage to the steering gear boot may lead to dirt and water contamination in the steering gear rack and components requiring a preventable replacement of the Steering Gear and its Components.

2. Using a swivel socket, install the right side front stabilizer shaft insulator clamp (2) and nuts (1) and tighten the nuts to **22 N·m (16 lb ft)**.

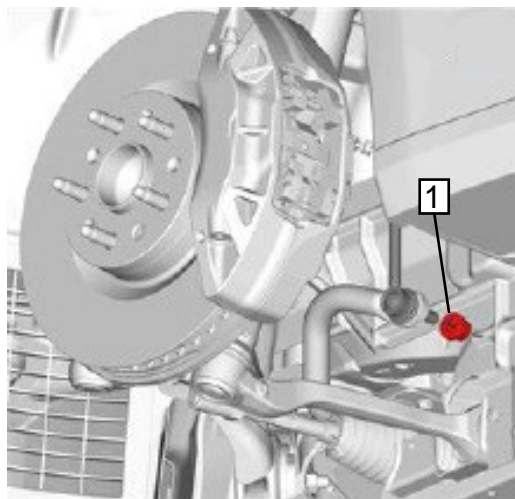


Caution: Use caution when removing components surrounding the Steering Gear Boots. Avoid tool contact with the steering gear boot and clamps. Damage to the steering gear boot may lead to dirt and water contamination in the steering gear rack and components requiring a preventable replacement of the Steering Gear and its Components.

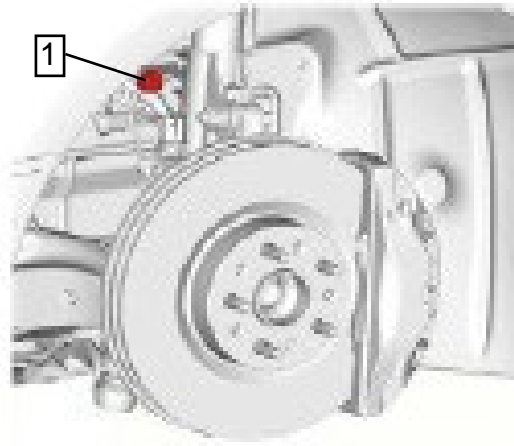
- Using a swivel socket, install the left side front stabilizer shaft insulator clamp (2) and nuts (1) and tighten the nuts to **22 N·m (16 lb ft)**.



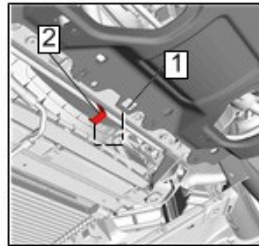
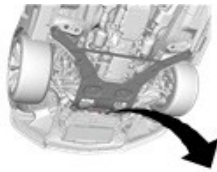
- Position the front stabilizer shaft link (1) on the vehicle.



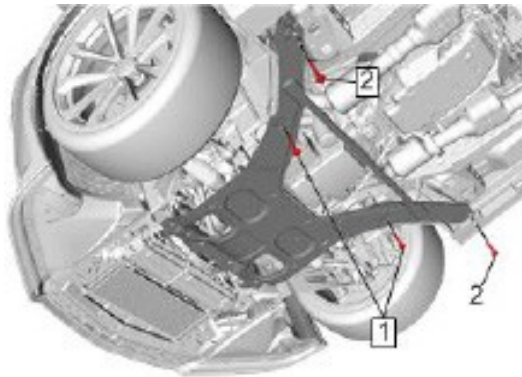
- Install the left front stabilizer shaft link nut (1) @ Stabilizer Shaft » and tighten **100 N·m (74 lb ft)**.
- Install the right front stabilizer shaft link nut (1) @ Stabilizer Shaft » and tighten **100 N·m (74 lb ft)**.



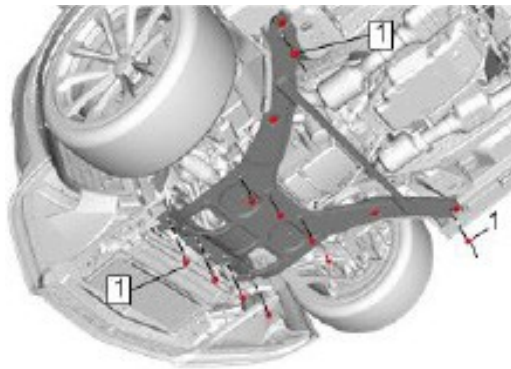
7. Install the left front stabilizer shaft link nut (1) @ Strut Assembly » Install and tighten **100 N·m (74 lb ft)**.
8. Install the right front stabilizer shaft link nut (1) @ Strut Assembly » Install and tighten **100 N·m (74 lb ft)**.



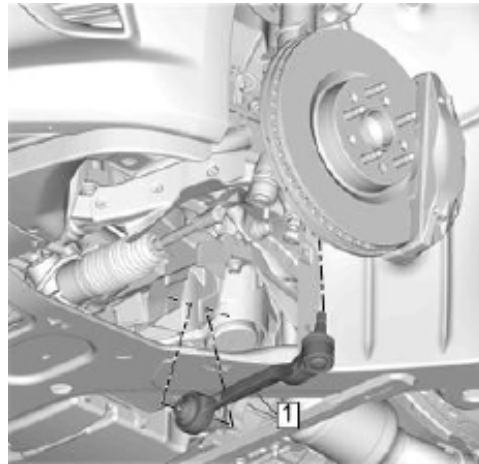
9. Front Cradle Shear Plate (1) @ Front Cradle Shear Plate Hook (2) » Install



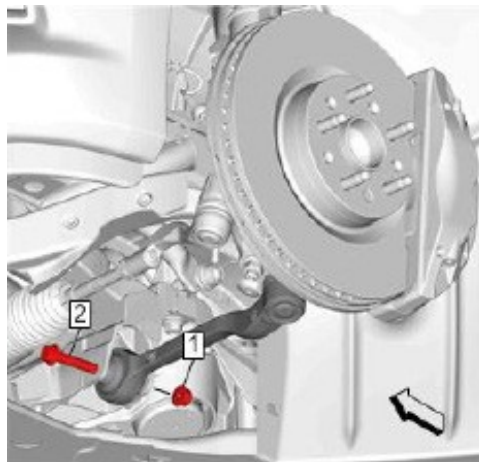
10. Loosely install the front cradle shear plate alignment bolts (1).
11. Front Cradle Shear Plate Fastener (2) » Tighten **50 N·m (37 lb ft)**.
12. Tighten the front cradle shear plate alignment bolts (1) » Tighten **50 N·m (37 lb ft)**.



13. Front Cradle Shear Plate Fastener (1) » Tighten **50 N-m (37 lb ft)**



14. Position the front lower control rear link (1) on the vehicle.



Caution: This vehicle is equipped with torque-to-yield or single use fasteners. Install a NEW torque-to-yield or single use fastener when installing this component. Failure to replace the torque-to-yield or single use fastener could cause damage to the vehicle or component.

15. Front Lower Control Rear Link Bolt (2) » Install NEW bolt.

16. Front Lower Control Rear Link Nut (1) » Install NEW nut.

Caution: Refer to Fastener Caution.

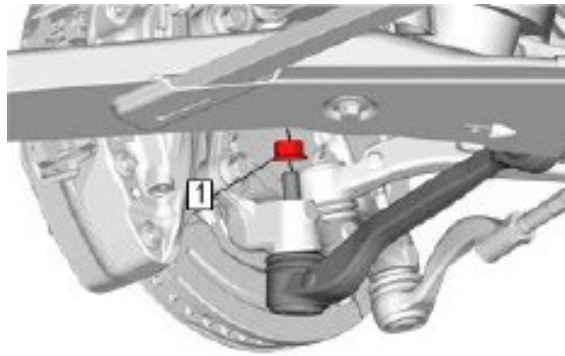
17. Front Lower Control Rear Link Bolt (2) » Tighten

Tighten

1. First Pass: **100 N-m (74 lb ft)**

2. Final Pass: **(90–105 degrees)**

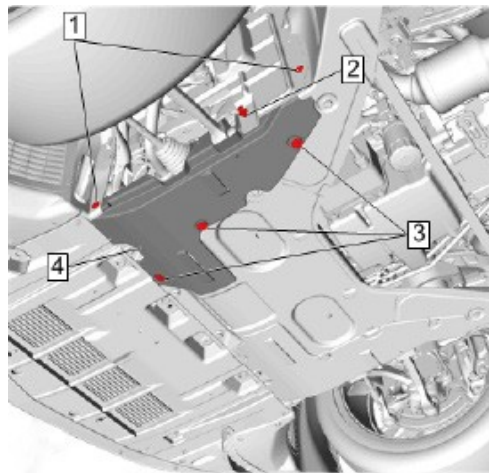
18. Inspect steering gear boot for damage. If any damage is noted, replace the steering gear boot.



19. Steering Knuckle Nut (1) » Install and tighten

Tighten

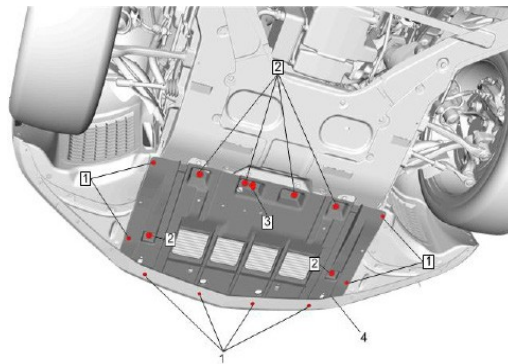
1. First Pass: **40 N·m (30 lb ft)**
2. Final Pass: **(120–135 degrees)**



20. Front Compartment Side Noise Shield (4) » Install

21. Front Compartment Side Noise Shield Screw (1) » Install and tighten **2.5 N·m (22 lb in)**

22. Front Compartment Side Noise Shield Bolt (3) » Install and tighten [3x] **9 N·m (80 lb in)**

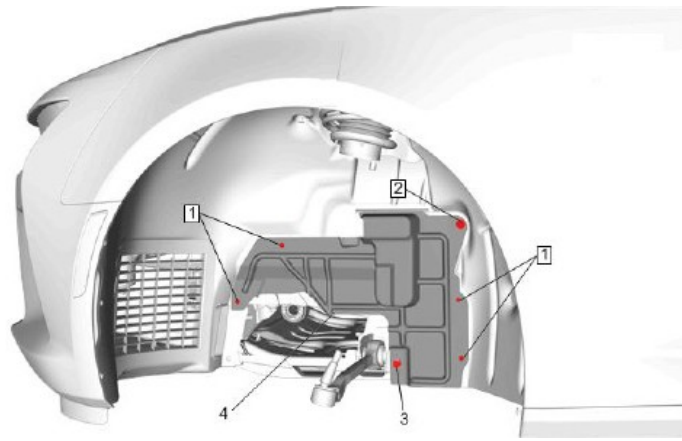


23. Front Compartment Air Deflector (4) » Install

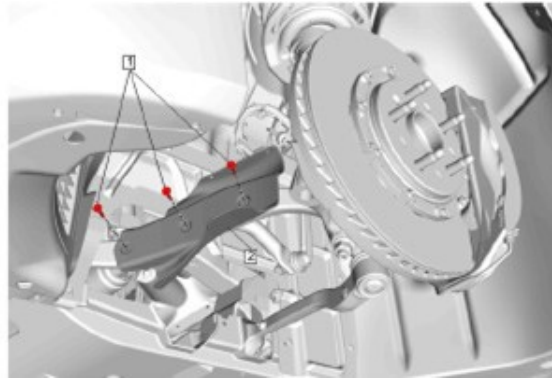
24. Front Compartment Air Deflector Retainer (3) » Install

25. Front Compartment Air Deflector Fasteners (2) » Install and tighten [6x] **5 N·m (44 lb in)**

26. Front Compartment Air Deflector Fasteners (1) » Install and tighten [8x] **2.5 N·m (22 lb in)**



- 27. Front wheelhouse splash guard (4) » Install
- 28. Front Wheelhouse Splash Shield Retainer (3) » Install
- 29. Front Wheelhouse Splash Shield Fasteners (2) » Install and tighten **5 N·m (44 lb in)**
- 30. Front Wheelhouse Splash Shield Fasteners (1) » Install and tighten [4x] **2.5 N·m (22 lb in)**



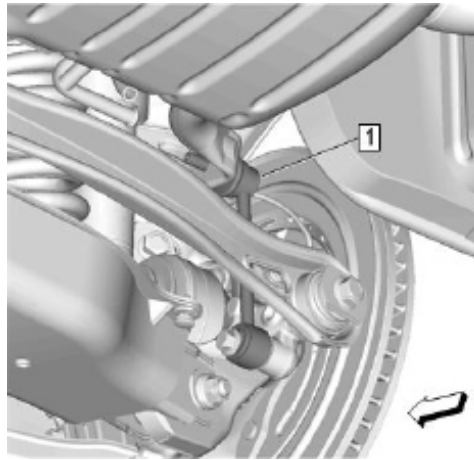
- 31. Front Brake Rotor Cooling Duct Deflector (2) » Install
- 32. Front Brake Rotor Cooling Duct Deflector Bolt (1) » Tighten [3x] **3.3 N·m (29 lb in)**
- 33. Install the front tire and wheel assembly.
- 34. A front wheel alignment is necessary following the installation of the SC1 kit

Rear Stabilizer Shaft Replacement

Removal Procedure

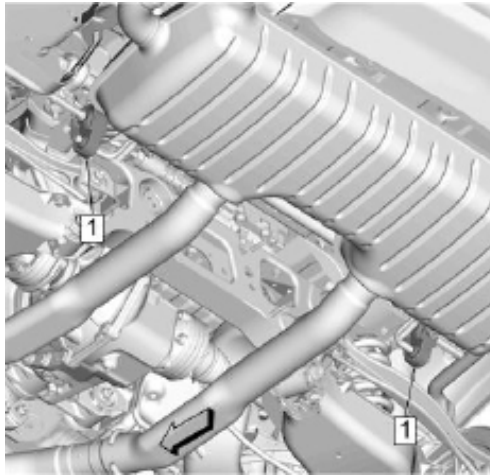
- 1. Remove the rear tire and wheel assemblies.

Caution: Use care when removing or installing the stabilizer shaft as coating can be removed by contact with tools or other vehicle components. Corrosion will occur and early stabilizer shaft failure will be the result.

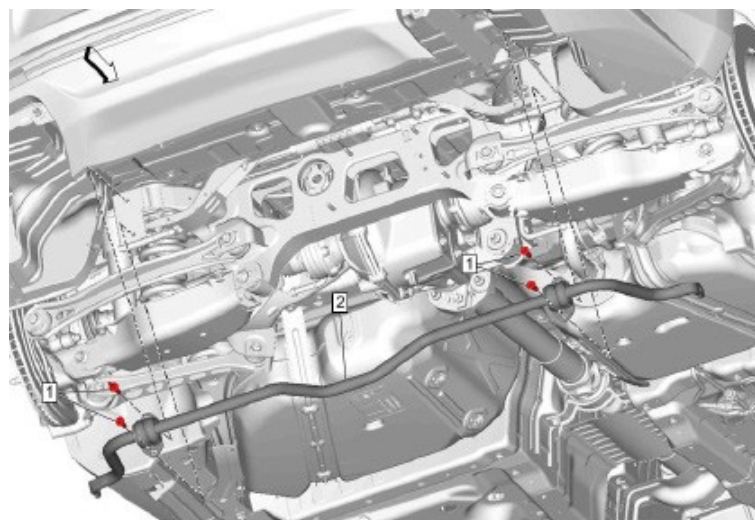


Note: DO NOT allow the upper stabilizer shaft ball stud to rotate.

2. Using the proper size allen wrench, hold the upper stabilizer shaft ball stud.
3. Remove the upper stabilizer shaft link nut.



4. Remove the two rear exhaust muffer isolators.
5. Remove the wiring harness from the top left stabilizer shaft insulator clamp bolt.



Note: The Exhaust Muffer is removed for illustration purposes only. It is not necessary to remove the Exhaust Muffer to remove the Stabilizer Shaft.

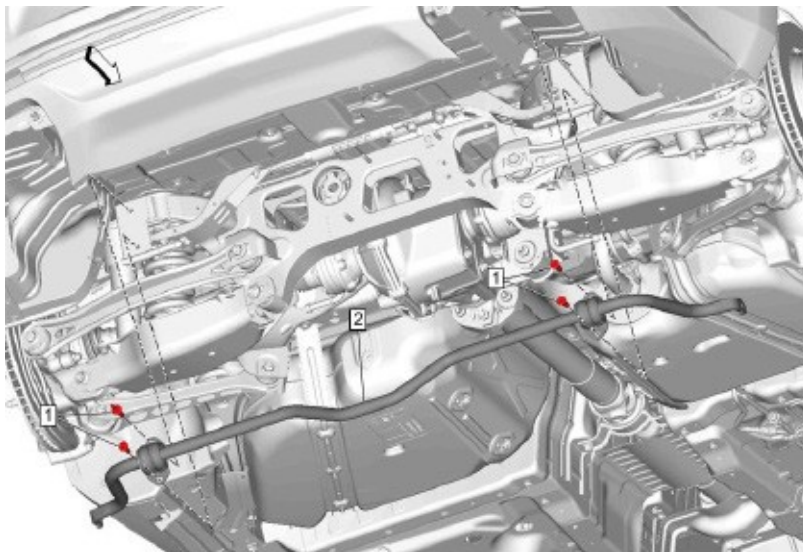
6. Rear Stabilizer Shaft Insulator Clamp Bolt (1) » Remove [4x]
7. Rear Stabilizer Shaft (2) » Remove

Installation Procedure

Caution: Use care when removing or installing the stabilizer shaft as coating can be removed by contact with tools or other vehicle components. Corrosion will occur and early stabilizer shaft failure will be the result.



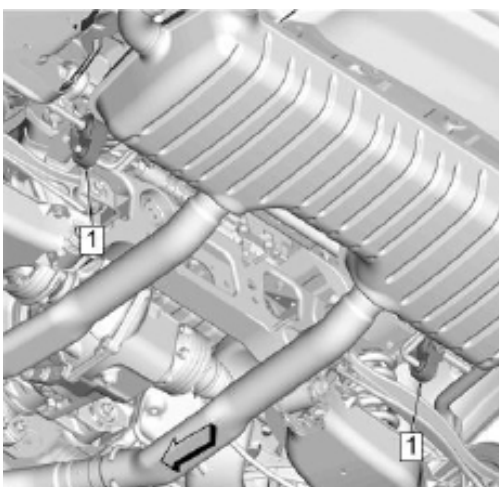
1. Prior to installation verify that the ID label (1) is on the right hand side of the vehicle.
2. Install the stabilizer shaft with the vehicle at curb height using jack stands.



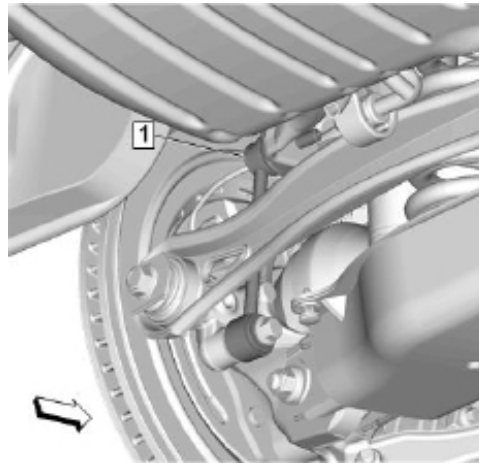
3. Rear Stabilizer Shaft (2) » Install

Caution: Refer to Fastener Caution.

4. Insert stabilizer shaft link and loosely install nut
5. Rear Stabilizer Shaft Insulator Clamp Bolt (1) » Install and tighten [4x] **58 N·m (43 lb ft)**
6. Install the wiring harness to the top left stabilizer shaft insulator clamp bolt.



7. Install the two rear exhaust muffler isolators.



Note: Tighten at curb height using jackstands.

Note: DO NOT allow the upper stabilizer shaft ball stud to rotate.

8. Using the proper size allenwrench, hold the upper stabilizer shaft ball stud.
9. Upper stabilizer shaft link nut» Tighten **43 N·m (32 lb ft)**
10. Install Tire and Wheel Assembly and lower vehicle



Trousse de maniabilité à suspension SC1 de Chevrolet Camaro

INSTRUCTIONS DE DÉPOSE ET DE REPOSE DE LA SUSPENSION

Nous vous remercions d'avoir choisi Chevrolet Performance comme source de haute performance. Chevrolet Performance s'est engagée à offrir une technologie de rendement éprouvée et novatrice qui est réellement... beaucoup plus que de la puissance. Les pièces de Chevrolet Performance ont été conçues, élaborées et mises à l'essai de manière à dépasser vos attentes de réglage précis et de fonction. Veuillez vous reporter à notre catalogue pour connaître le centre Chevrolet Performance autorisé le plus près de chez vous ou visitez notre site Web à www.chevroletperformance.com.

Ces caractéristiques techniques ne sont pas destinées à remplacer les pratiques d'entretien complètes et détaillées expliquées dans les manuels d'atelier GM. Pour des directives de pose détaillées, veuillez consulter le manuel d'entretien de votre véhicule.

Les manuels d'entretien GM sont offerts par :

Helm Incorporated

P.O. Box 07130

Detroit, MI 48207

Pour des renseignements sur l'étendue de la garantie, veuillez communiquer avec votre concessionnaire Chevrolet Performance Parts local.

Observer toutes les précautions et tous les avertissements en matière de sécurité présentés dans le Manuel d'entretien au moment d'installer cette trousse dans n'importe quel véhicule. Porter un protecteur pour la vue et des vêtements de protection appropriés. Soutenir fermement le véhicule avec des chandelles au moment de travailler sous le véhicule ou autour de celui-ci. Utiliser seulement les outils appropriés. Faire preuve d'extrême prudence lors de travaux avec des liquides ou des matériaux inflammables, corrosifs ou dangereux. Certaines procédures nécessitent l'utilisation d'un équipement spécial et des habiletés particulières. Si vous ne possédez pas la formation, l'expertise et les outils nécessaires pour effectuer toute partie de cette conversion en toute sécurité, ce travail devrait être réalisé par un professionnel.

Les renseignements contenus dans cette publication sont présentés sans aucune garantie. Tout risque encouru pendant l'utilisation de cette publication est entièrement assumé par l'utilisateur. La conception de composant spécial, les procédures mécaniques et les qualifications de chaque lecteur sont hors du contrôle de l'éditeur et c'est pourquoi il décline toute responsabilité afférente en lien avec l'utilisation des renseignements fournis dans cette publication.

Chevrolet, Chevy, l'emblème Chevrolet, General Motors et GM sont toutes des marques déposées de General Motors Corporation.

TITLE **Camaro Suspension Kit**

IR 11AP19

PART NO. **84401189**

SHEET **19** OF **54**

ALL INFORMATION WITHIN ABOVE BORDER TO BE PRINTED EXACTLY AS SHOWN ON 8 1/2 x 11 WHITE 16 POUND BOND PAPER. PRINT ON BOTH SIDES, EXCLUDING TEMPLATES.

TO BE UNITIZED IN ACCORDANCE WITH GM SPECIFICATIONS.

DATE	REVISION	AUTH
14AU17	Initial Release - Chase Birks	2844829
11AP19	Revision - Lawrence Wong	2844829

Composants de la trousse de suspension de Camaro :

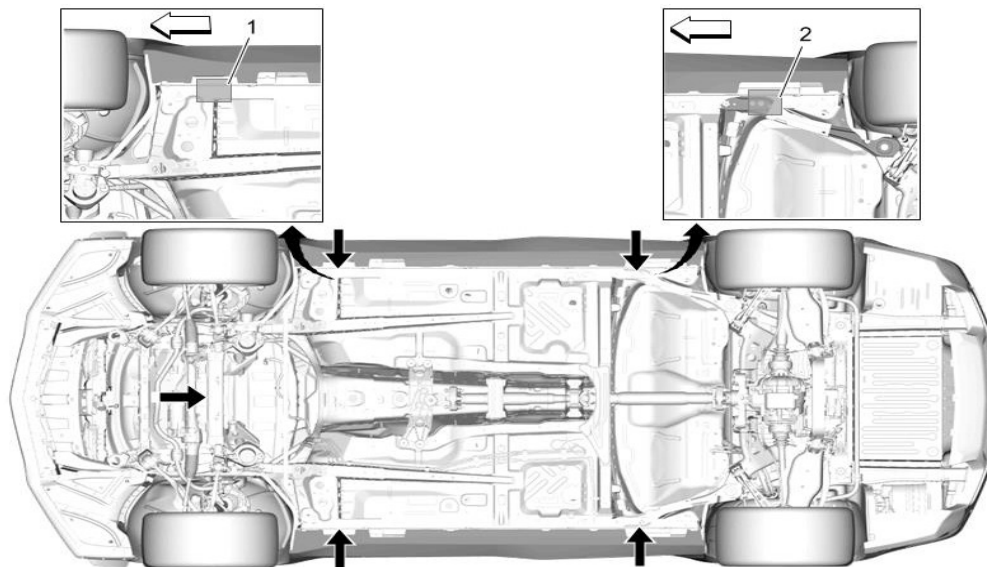
Barre stabilisatrice avant	1
Tirant avant gauche	1
Tirant avant droit	1
Barre stabilisatrice arrière	1
Écrou - Tirant avant gauche	2
Vis - tirant avant	2
Écrou - Barre stabilisatrice avant	4
Emblème Chevrolet Performance	1

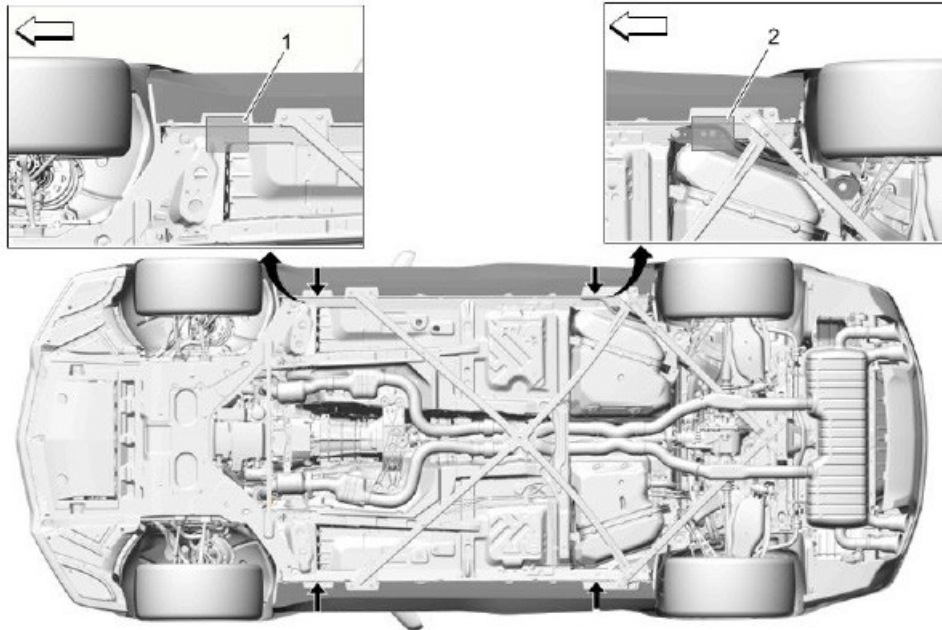
Outils recommandés

- Séparateur de joint à rotule *CH-42188-B*
- *J-36660-A* Goniomètre de couple
- Clé dynamométrique (10 à 150 lb pi)

Levage du véhicule (pont élévateur et cric)

Remarque : L'usage d'un SYSTÈME DE BRAS DE LEVAGE PROFILÉ pourrait être nécessaire pour éviter le contact avec la carrosserie et la structure du véhicule selon l'équipement de levage utilisé. Se reporter à la recommandation du fabricant pour leurs applications d'un système de bras de levage profilé pour leur équipement de levage.

Points de levage du modèle coupé


Points de levage du modèle décapotable


Danger : Pour éviter tout dommage au véhicule, des blessures graves, voire mortelles :

- Lors de la dépose de composants importants pendant que le véhicule est soutenu au moyen d'un pont élévateur – supporter le véhicule avec des chandelles du côté opposé des composants déposés et fixer le véhicule au pont élévateur avec des sangles.
- Pour les travaux effectuer dans le compartiment moteur ou sous le véhicule, s'assurer que le capot est entièrement ouvert, ou ouvert jusqu'à son deuxième cran. Lorsque le capot est ouvert jusqu'au deuxième cran, le véhicule désactive la fonction de démarrage à distance du porte-clés et de l'application mobile OnStar. Si on n'ouvre pas le capot entièrement ou jusqu'au deuxième cran pendant une intervention dans le compartiment moteur ou sous le véhicule, ce dernier pourrait démarrer de façon accidentelle et causer des blessures ou subir des dommages.

Danger : Pour éviter tout dommage au véhicule ou des blessures graves, voire la mort, toujours utiliser des chandelles pour soutenir le véhicule lorsque ce dernier est soulevé avec un cric.

Mise en garde : Effectuer les étapes suivantes avant de commencer toute procédure de levage du véhicule (pont élévateur ou cric) :

- Retirer ou fixer tous le contenu du véhicule afin d'éviter tout mouvement qui pourrait résulter du levage.
- La capacité nominale de l'équipement de levage ou du cric doit être conforme ou excéder le poids du véhicule et du contenu du véhicule.
- L'appareil de levage ou le cric doivent respecter les normes de fonctionnement du fabricant de l'appareil de levage ou du cric.
- Soulever le véhicule à partir d'une surface propre, dure, sèche et de niveau.
- Effectuer la procédure de levage du véhicule uniquement aux points de levage indiqués. NE PAS laisser le matériel de levage entrer en contact avec d'autres composants du véhicule.

Le défaut de suivre les étapes précédentes peut entraîner des dommages à l'appareil de levage ou au cric, au véhicule, et/ou au contenu du véhicule.



Levage du véhicule – Élévateur du type contact au châssis

Remarque : Le véhicule doit être levé de manière à ce que les patins de levage ou les bras de levage n'entrent pas en contact avec la moulure de bas de caisse. Le patin de levage doit se situer dans la zone désignée. Dans l'emplacement avant, placer les patins de levage sur la bride soudée du panneau externe de bas de caisse. Dans l'emplacement arrière, placer les patins de levage sur le renfort de berceau arrière du panneau externe de bas de caisse. On doit prendre soin de s'assurer que le patin de levage est à l'intérieur de la zone de découpe (encoche) de moulure de panneau de bas de caisse pour prévenir des dommages au véhicule.

Patins de levage avant

Lors du levage du véhicule avec un pont élévateur à prise sous coque, placer les patins de levage avant sur la bride soudée (1) de panneau extérieur de bas de caisse, comme illustré

Patins de levage arrière

Lors du levage du véhicule avec un pont élévateur à prise sous coque, placer les patins de levage arrière sur la bride soudée (2) de panneau extérieur de bas de caisse, comme illustré.

Levage sur cric de véhicule

Mise en garde : Lorsque le véhicule est levé au moyen d'un cric aux points de levage avant, s'assurer que le cric ou le patin de levage du cric n'entre pas en contact avec le carénage avant, le déflecteur d'air de carénage avant ou les ailes avant. En cas de contact, le véhicule pourrait être endommagé. Si le véhicule est soulevé au moyen d'un cric aux emplacements avant sélectionnés, un dégagement supplémentaire peut être requis pour les points de levage.

Remarque : Lorsque le véhicule est soulevé avec un cric, il faut bloquer les roues du côté opposé au côté soulevé. Utiliser des chandelles pour obtenir un appui additionnel.

Avant du véhicule

Lorsqu'un cric est utilisé sous l'avant du véhicule, utiliser un des emplacements suivants :

Placer le patin de cric d'entretien au même endroit, comme illustré pour des patins de levage avant ou sur le patin de cric central avant.

Arrière du véhicule

Remarque : Placer les chandelles SEULEMENT sous des structures solides et stables du véhicule.

Placer le patin du cric au même emplacement que celui indiqué pour les patins de levage arrière.

Mise en garde sur la fixation

Mise en garde : Utiliser la bonne fixation au bon endroit. Les pièces de fixation de rechange doivent comporter le bon numéro de pièce pour cette application. Ne pas utiliser de peinture, de lubrifiant ou d'inhibiteur de corrosion sur les pièces de fixation ou les surfaces de raccords de pièces de fixation à moins d'indications contraires. Ces revêtements affectent le couple de la pièce de fixation et la force de serrage du raccord et peuvent endommager la pièce de fixation. Utiliser la bonne séquence de serrage et les bonnes spécifications lors de l'installation des pièces de fixation afin d'éviter d'endommager les pièces et les systèmes. Lorsqu'on utilise des pièces de fixation filetées directement dans le plastique, il faut faire attention de ne pas arracher les filets des pièces de plastique à assembler. Utiliser uniquement des outils manuels ; n'utiliser aucun type d'outil à percussion ou d'outil électrique. La pièce de fixation doit être serrée à la main jusqu'au fond, sans arracher les filets.

Avertissement relatif aux fixations à limite élastique

Avertissement : Ce véhicule est équipé de fixations à limite élastique ou à utilisation unique. Poser une NOUVELLE fixation à limite élastique ou à utilisation unique pour poser ce composant. Le fait de ne pas remplacer des fixations à limite élastique ou à utilisation unique peut endommager le véhicule ou le composant, ou causer des blessures.

TITLE **Camaro Suspension Kit**

IR 11AP19

PART NO. **84401189**SHEET **22** OF **54**ALL INFORMATION WITHIN ABOVE BORDER TO BE PRINTED EXACTLY AS SHOWN ON 8 1/2 x 11
WHITE 16 POUND BOND PAPER. PRINT ON BOTH SIDES, EXCLUDING TEMPLATES.

TO BE UNITIZED IN ACCORDANCE WITH GM SPECIFICATIONS.

DATE

14AU17

11AP19

REVISION

Initial Release - Chase Birks

Revision - Lawrence Wong

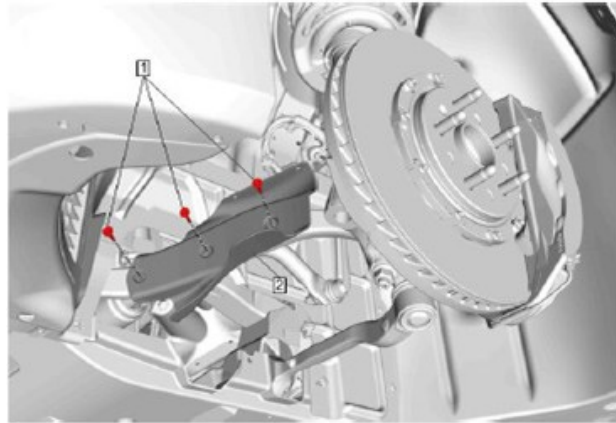
AUTH

2844829

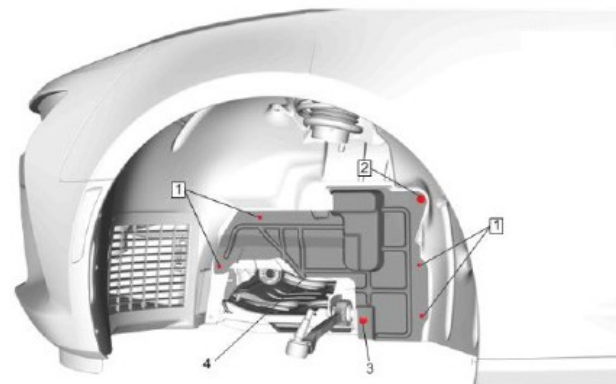
2844829

Procédure de dépose

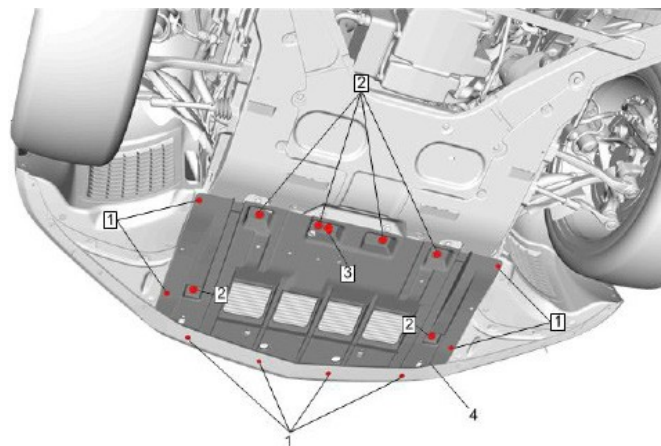
1. Déposer l'ensemble roue et pneu avant.



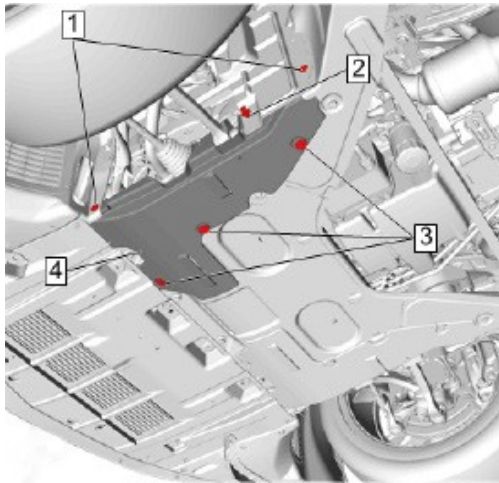
2. Boulon du déflecteur de conduite de refroidissement de disque de frein avant (1) » Déposer [3x]



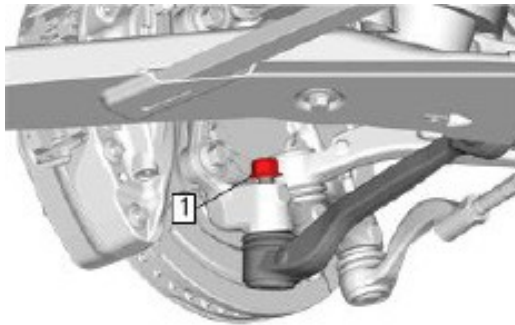
3. Fixations de pare-éclaboussures de passage de roue avant (1) » Déposer [4x]
4. Fixations de pare-éclaboussures de passage de roue avant (2) » Déposer
5. Dispositif de retenue de pare-éclaboussures de passage de roue avant (3) » Déposer
6. Pare-éclaboussures de passage de roue avant (4) » Déposer



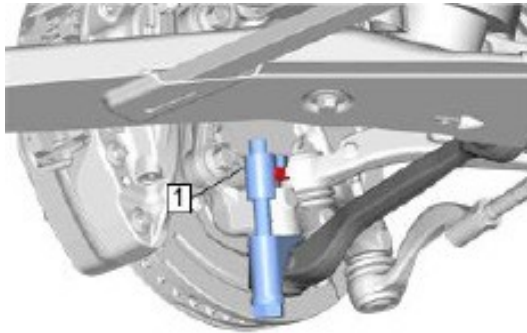
7. Fixations de déflecteur d'air de compartiment avant (1) » Déposer [8x]
8. Fixations de déflecteur d'air de compartiment avant (2) » Déposer [6x]
9. Dispositif de retenue de déflecteur d'air de compartiment avant (3) » Déposer
10. Déflecteur d'air de compartiment avant (4) » Déposer



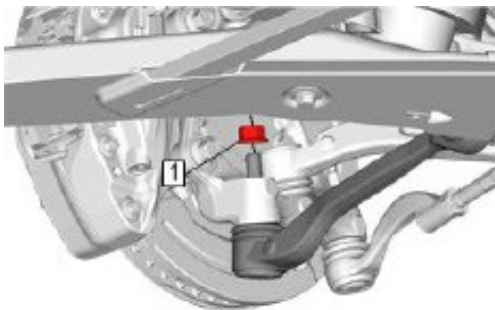
- 11. Fixation d'écran insonorisant latéral de compartiment avant (1) » Déposer
- 12. Fixation d'écran insonorisant latéral de compartiment avant (3) » Déposer [3x]
- 13. Écran insonorisant latéral de compartiment avant (4) » Déposer



- 14. Écrou de porte-fusée de direction (1) » Desserrer
Ne PAS déposer l'écrou.



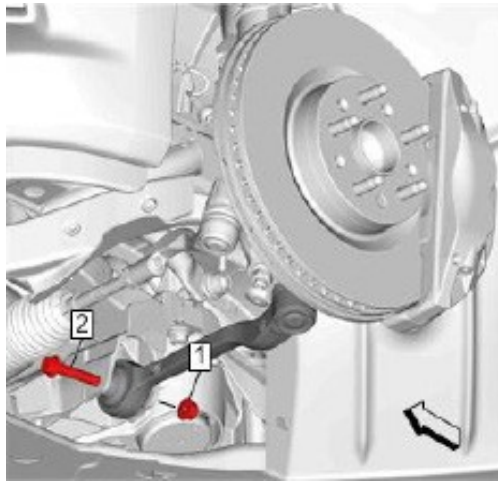
- 15. Utiliser le séparateur *CH-42188-B* (1) pour séparer le bras transversal inférieur arrière de train avant du porte-fusée de direction.



- 16. Écrou de porte-fusée de direction (1) » Déposer

TITLE Camaro Suspension Kit	IR 11AP19	PART NO. 84401189	SHEET 24 OF 54
------------------------------------	------------------	--------------------------	-----------------------

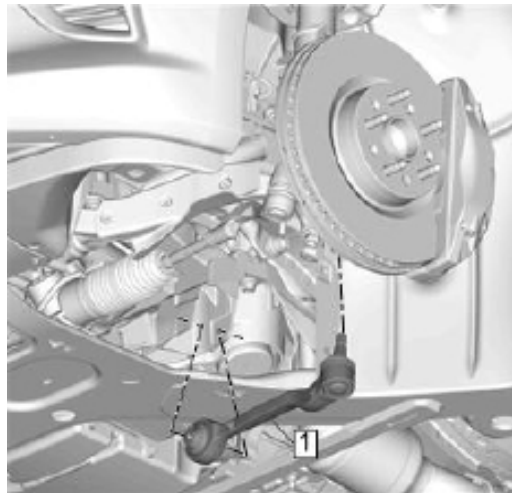
ALL INFORMATION WITHIN ABOVE BORDER TO BE PRINTED EXACTLY AS SHOWN ON 8 1/2 x 11 WHITE 16 POUND BOND PAPER. PRINT ON BOTH SIDES, EXCLUDING TEMPLATES. TO BE UNITIZED IN ACCORDANCE WITH GM SPECIFICATIONS.	DATE	REVISION	AUTH
	14AU17	Initial Release - Chase Birks	2844829
	11AP19	Revision - Lawrence Wong	2844829



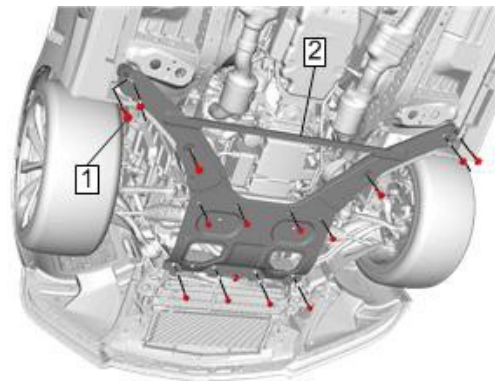
17. Bras transversal inférieur arrière de train avant (1) » Déposer

Mise en garde : Faire preuve de prudence lors de la dépose des composants périphériques des soufflets de crémaillère de direction. Il faut éviter de toucher les colliers de serrage et le soufflet du mécanisme de direction avec l'outil. Tout dommage au soufflet du mécanisme de direction peut entraîner la contamination par l'eau et la saleté de la crémaillère et des composants de direction, ce qui nécessite un remplacement préventif du mécanisme de direction et de ses composants.

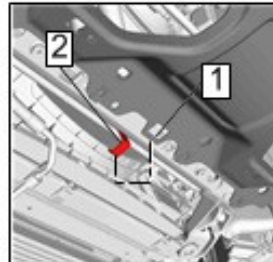
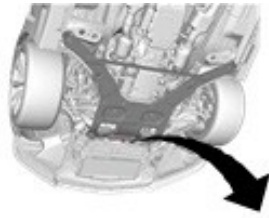
18. Boulon de biellette arrière de bras de suspension inférieure (2) » Déposer et JETER le boulon.



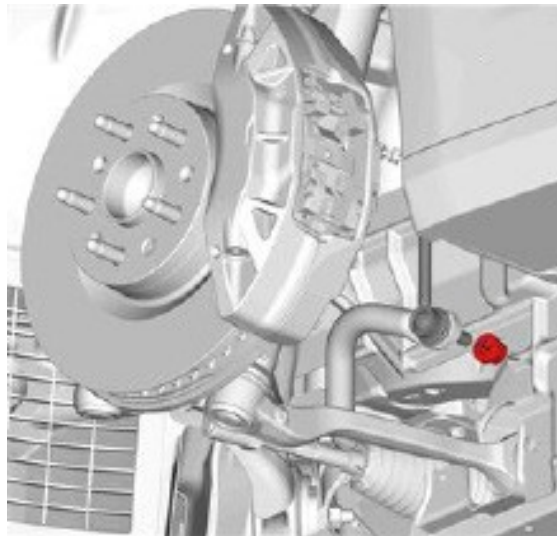
19. Déposer le bras transversal inférieur arrière de train avant (1) du véhicule.



20. Fixation de plaque de cisaillement de berceau avant (1) » Déposer



21. Plaque de cisaillement de berceau avant (1) au crochet de plaque de cisaillement de berceau avant (2) » Déposer



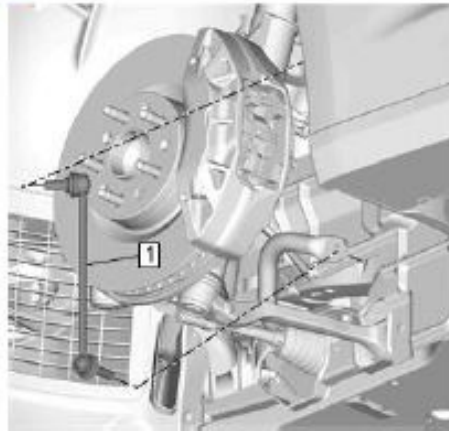
22. Écrou de tringle de barre stabilisatrice avant (1) à la barre stabilisatrice » Déposer et JETER l'écrou



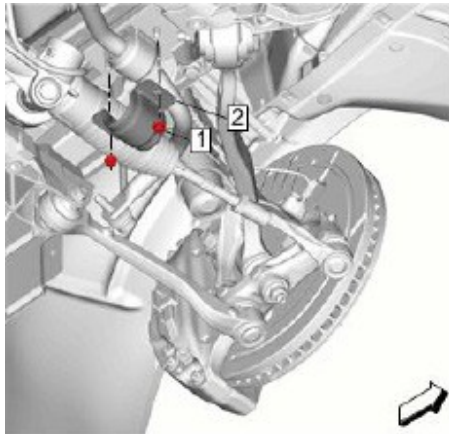
23. Écrou de tringle de barre stabilisatrice avant (1) à l'ensemble d'amortisseur » Déposer et JETER l'écrou

TITLE Camaro Suspension Kit	IR 11AP19	PART NO. 84401189	SHEET 26 OF 54
------------------------------------	------------------	--------------------------	------------------------------

ALL INFORMATION WITHIN ABOVE BORDER TO BE PRINTED EXACTLY AS SHOWN ON 8 1/2 x 11 WHITE 16 POUND BOND PAPER. PRINT ON BOTH SIDES, EXCLUDING TEMPLATES. TO BE UNITIZED IN ACCORDANCE WITH GM SPECIFICATIONS.	DATE	REVISION	AUTH
	14AU17	Initial Release - Chase Birks	2844829
	11AP19	Revision - Lawrence Wong	2844829

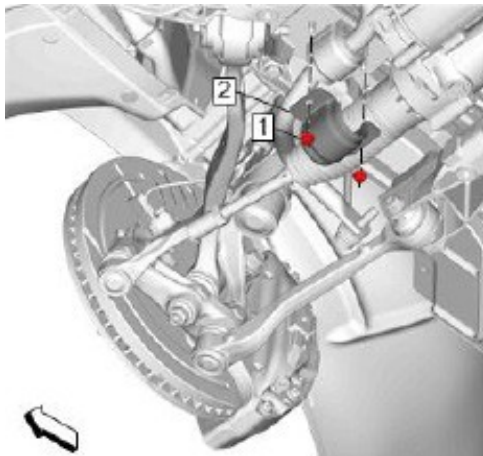


24. Déposer la tringle de barre stabilisatrice avant (1) du véhicule.



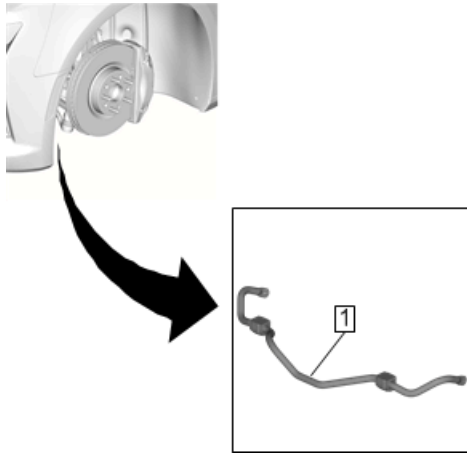
Mise en garde : Faire preuve de prudence lors de la dépose des composants périphériques des soufflets de crémaillère de direction. Il faut éviter de toucher les colliers de serrage et le soufflet du mécanisme de direction avec l'outil. Tout dommage au soufflet du mécanisme de direction peut entraîner la contamination par l'eau et la saleté de la crémaillère et des composants de direction, ce qui nécessite un remplacement préventif du mécanisme de direction et de ses composants.

25. À l'aide d'une douille articulée, déposer les écrous de bride (1) et la bride (2) de palier élastique de barre stabilisatrice avant gauche.



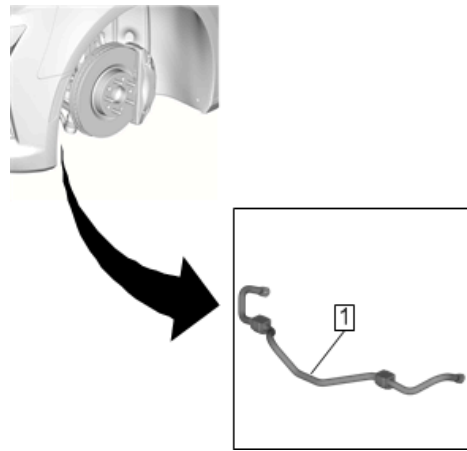
Mise en garde : Faire preuve de prudence lors de la dépose des composants périphériques des soufflets de crémaillère de direction. Il faut éviter de toucher les colliers de serrage et le soufflet du mécanisme de direction avec l'outil. Tout dommage au soufflet du mécanisme de direction peut entraîner la contamination par l'eau et la saleté de la crémaillère et des composants de direction, ce qui nécessite un remplacement préventif du mécanisme de direction et de ses composants.

26. À l'aide d'une douille articulée, déposer les écrous de bride (1) et la bride (2) de palier élastique de barre stabilisatrice avant droit.

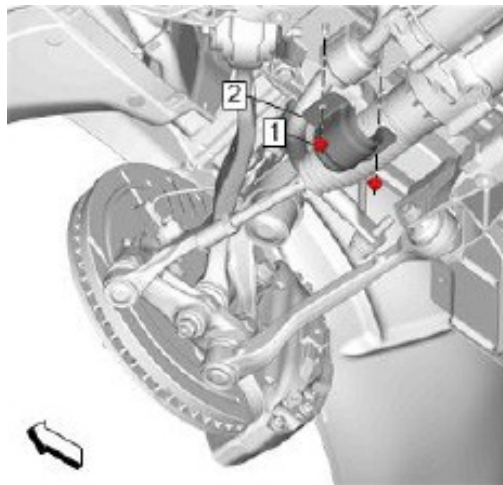


Remarque : Les paliers élastiques de barre stabilisatrice avant ne sont PAS réparables Ne PAS transférer les paliers élastiques.
27. Déposer la barre stabilisatrice avant (1) du véhicule.

Procédure d'installation



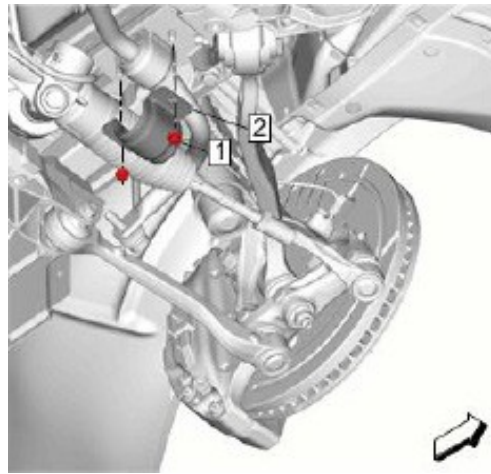
1. Placer la barre stabilisatrice avant (1) sur le véhicule.



Mise en garde : Se reporter à Avertissement relatif aux fixations.

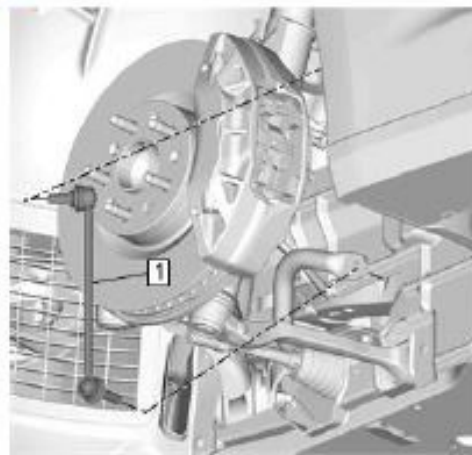
Mise en garde : Faire preuve de prudence lors de la dépose des composants périphériques des soufflets de crémaillère de direction. Il faut éviter de toucher les colliers de serrage et le soufflet du mécanisme de direction avec l'outil. Tout dommage au soufflet du mécanisme de direction peut entraîner la contamination par l'eau et la saleté de la crémaillère et des composants de direction, ce qui nécessite un remplacement préventif du mécanisme de direction et de ses composants.

2. À l'aide d'une douille articulée, poser la bride (2) et les écrous (1) de palier élastique de barre stabilisatrice avant droit, puis serrer les écrous à **22 Nm (16 lb pi)**.

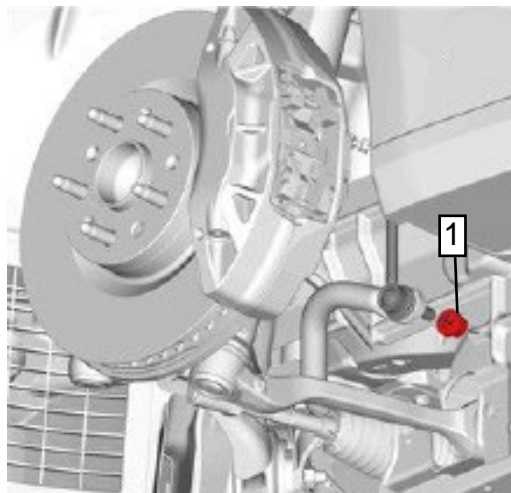


Mise en garde : Faire preuve de prudence lors de la dépose des composants périphériques des soufflets de crémaillère de direction. Il faut éviter de toucher les colliers de serrage et le soufflet du mécanisme de direction avec l'outil. Tout dommage au soufflet du mécanisme de direction peut entraîner la contamination par l'eau et la saleté de la crémaillère et des composants de direction, ce qui nécessite un remplacement préventif du mécanisme de direction et de ses composants.

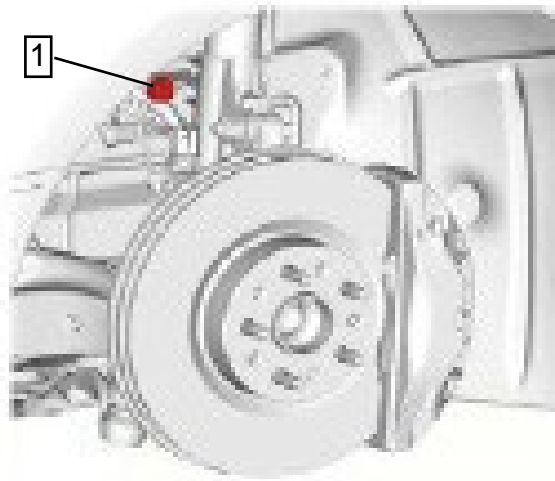
- À l'aide d'une douille articulée, poser la bride (2) et les écrous (1) de palier élastique de barre stabilisatrice avant gauche, puis serrer les écrous à **22 Nm (16 lb pi)**.



- Placer la tringle de barre stabilisatrice avant (1) sur le véhicule.

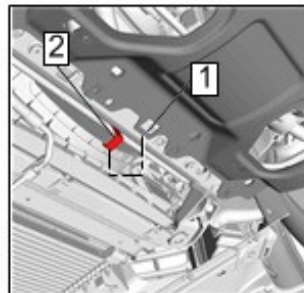
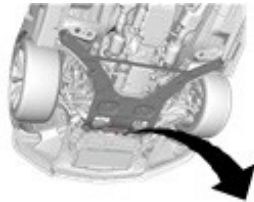


- Installer l'écrou de liaison de l'arbre stabilisateur avant gauche (1) @ Arbre stabilisateur » et serrer **100 N·m (74 lb ft)**.
- Installer l'écrou de liaison de l'arbre stabilisateur avant droit (1) @ Arbre stabilisateur » et serrer **100 N·m (74 lb ft)**.

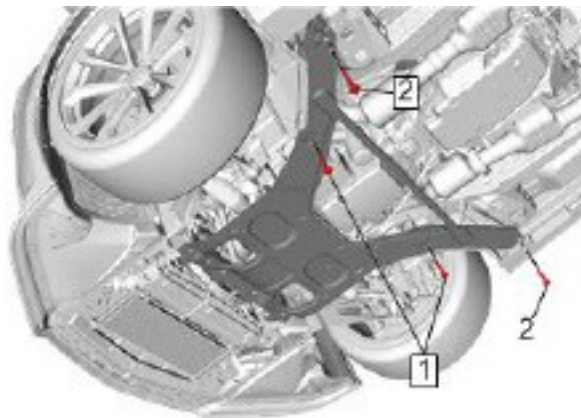


7. Installer l'écrou de liaison de l'arbre de stabilisateur avant gauche (1) @ Assemblage de la jambe de suspension » Installer et serrer **100 N·m (74 lb ft)**.

8. Installez l'écrou de liaison de l'arbre de stabilisateur avant droit (1) @ Montage de la jambe de force » Installez et serrez **100 N·m (74 lb ft)**.



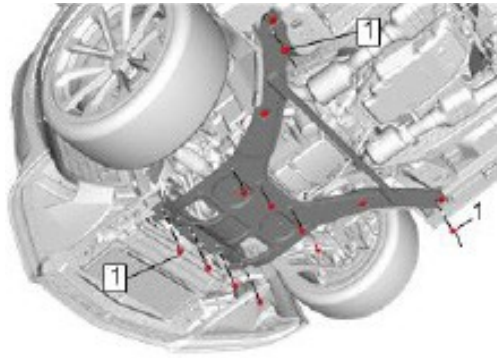
9. Plaque de cisaillement de berceau avant (1) au crochet de plaque de cisaillement de berceau avant (2) » Poser



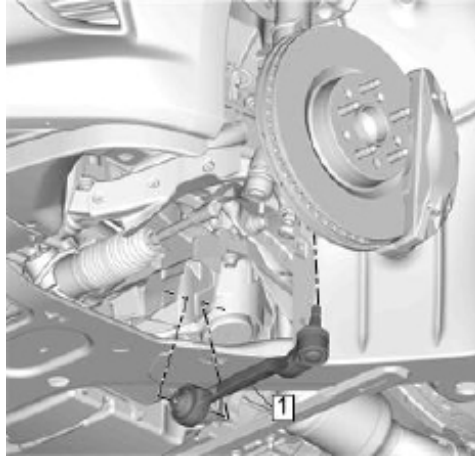
10. Poser sans les serrer les boulons d'alignement de plaque de cisaillement de berceau avant (1)

11. Fixation de plaque de cisaillement de berceau avant (2) » Serrer à **50 Nm (37 lb pi)**

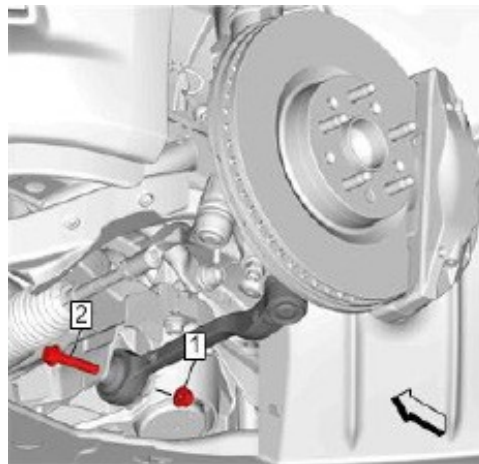
12. Serrer les boulons d'alignement (1) de plaque de cisaillement de berceau avant » Serrer à **50 Nm (37 lb pi)**



13. Fixation de plaque de cisaillement de berceau avant (1) » Serrer à **50 Nm (37 lb pi)**



14. Placer le bras transversal inférieur arrière de train avant (1) sur le véhicule.



Mise en garde : Ce véhicule est équipé de fixations à limite élastique ou à utilisation unique. Poser une NOUVELLE fixation à limite élastique ou à utilisation unique pour poser ce composant. Le fait de ne pas remplacer la fixation à limite élastique ou à utilisation unique peut endommager le véhicule ou le composant.

15. Vis de bras transversal inférieur arrière de train avant (2) » Poser un boulon NEUF.

16. Écrou de bras transversal inférieur arrière de train avant (1) » Poser un écrou NEUF.

Mise en garde : Se reporter à Avertissement relatif aux fixations.

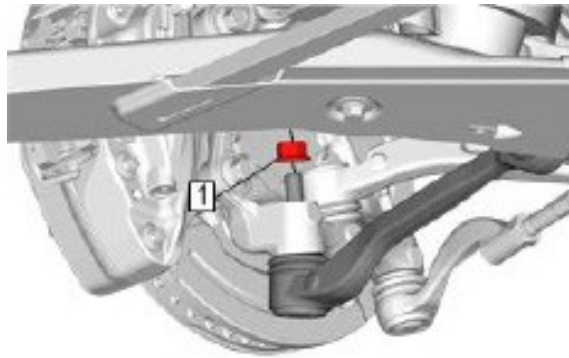
17. Vis de bras transversal inférieur arrière de train avant (2) » Serrer

Serrer

1. Premier passage : **100 Nm (74 lb pi)**

2. Passe finale : **(90-105 degrés)**

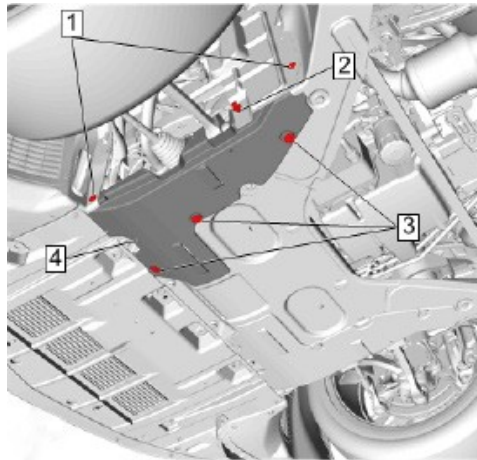
18. Vérifier que le soufflet de crémaillère de direction n'est pas endommagé. S'il est endommagé, remplacer le soufflet de crémaillère de direction.



19. Écrou de porte-fusée de direction (1) » Poser et serrer

Serrer

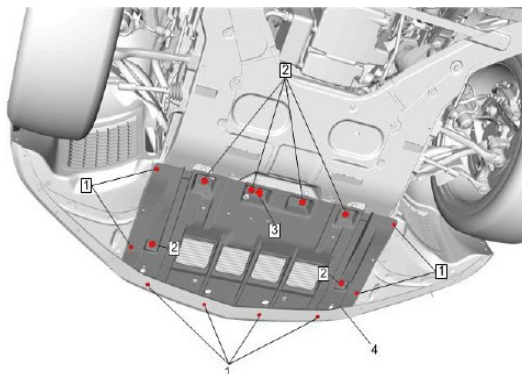
1. Premier passage : **40 Nm (30 lb pi)**
2. Passe finale : **(120-135 degrés)**



20. Écran insonorisant latéral de compartiment avant (4) » Poser

21. Vis d'écran insonorisant latéral de compartiment avant (1) » Poser et serrer **2,5 Nm (22 lb po)**

22. Boulon d'écran insonorisant latéral de compartiment avant (3) » Poser et serrer [3x] **9 Nm (80 lb po)**

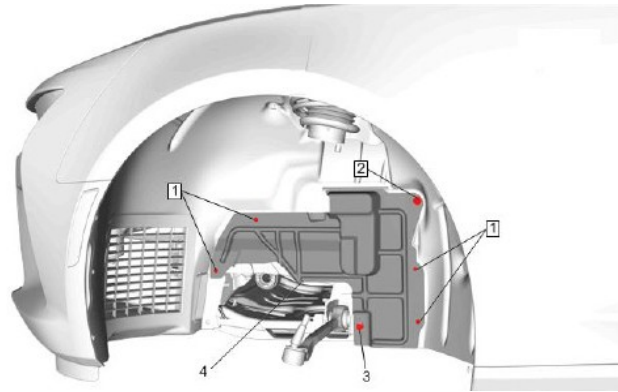


23. Déflecteur d'air de compartiment avant (4) » Poser

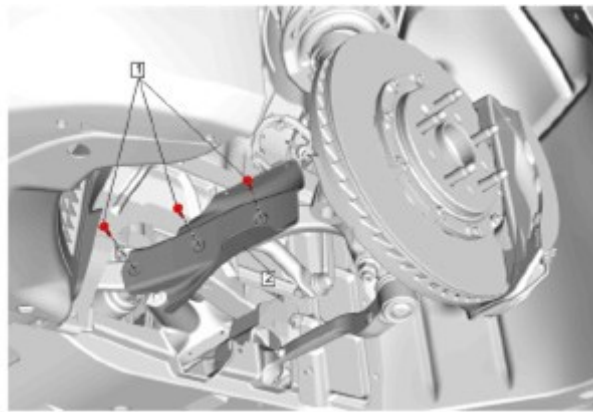
24. Dispositif de retenue de déflecteur d'air de compartiment avant (3) » Poser

25. Fixations de déflecteur d'air de compartiment avant (2) » Poser et serrer [6x] **5 Nm (44 lb po)**

26. Fixations de déflecteur d'air de compartiment avant (1) » Poser et serrer [8x] **2,5 Nm (22 lb po)**



- 27. Pare-éclaboussures de passage de roue avant (4) » Pose
- 28. Dispositif de retenue de pare-éclaboussures de passage de roue avant (3) » Poser
- 29. Fixation de pare-éclaboussures de passage de roue avant (2) » Posées et serrer **5 Nm (44 lb po)**
- 30. Fixation de pare-éclaboussures de passage de roue avant (1) » Posées et serrer [4x] **2,5 Nm (22 lb po)**



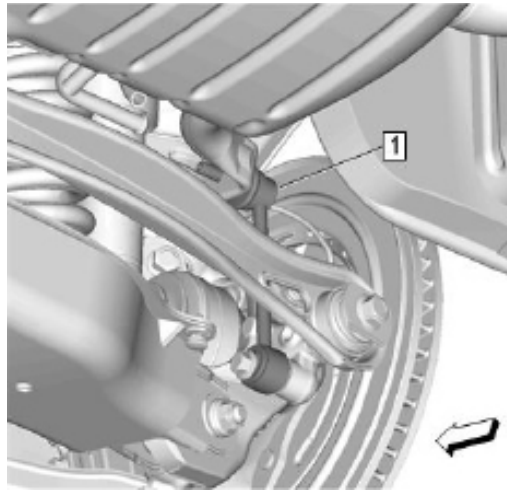
- 31. Déflecteur de conduite de refroidissement de disque de frein avant (2) » Poser
- 32. Boulon du déflecteur de conduite de refroidissement de disque de frein avant (1) » Serrer à [3x] **3,3 Nm (29 lb pi)**
- 33. Installer l'ensemble roue et pneu avant.
- 34. Un équilibrage de roue avant est nécessaire après la pose de la trousse SC1.

Remplacement de la barre stabilisatrice arrière

Procédure de dépose

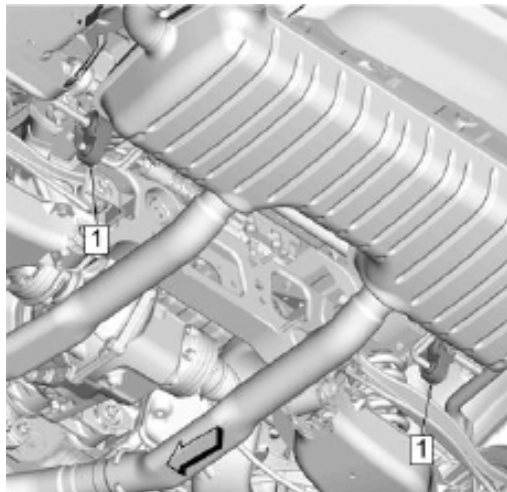
- 1. Déposer les ensembles pneus et roues arrière.

Mise en garde : Lors de la dépose ou repose, veiller à éviter tout contact de la barre stabilisatrice avec des outils ou composants du véhicule afin de préserver son revêtement de protection. Tout impact sur le revêtement peut entraîner une corrosion de la barre stabilisatrice et, dans le pire cas, sa rupture.

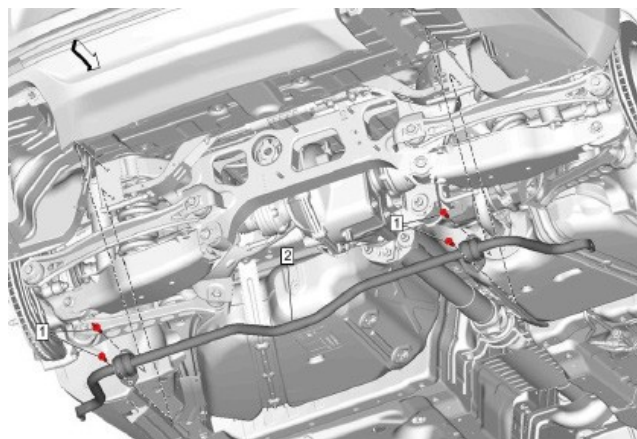


Remarque : NE PAS laisser tourner le joint à rotule de barre stabilisatrice supérieure.

2. Utiliser la clé hexagonale de dimension appropriée pour tenir le joint à rotule de barre stabilisatrice supérieure.
3. Déposer l'écrou de tringle de barre stabilisatrice supérieure.



4. Déposer les deux suspentes élastiques de silencieux arrière.
5. Déposer le faisceau de câbles de la vis supérieure de bride de palier élastique gauche de la barre stabilisatrice

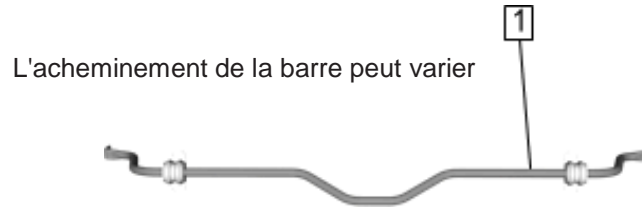


Remarque : Afin de ne pas surcharger l'illustration, le silencieux d'échappement n'y figure pas. Il n'est pas nécessaire de déposer le silencieux d'échappement pour déposer la barre stabilisatrice.

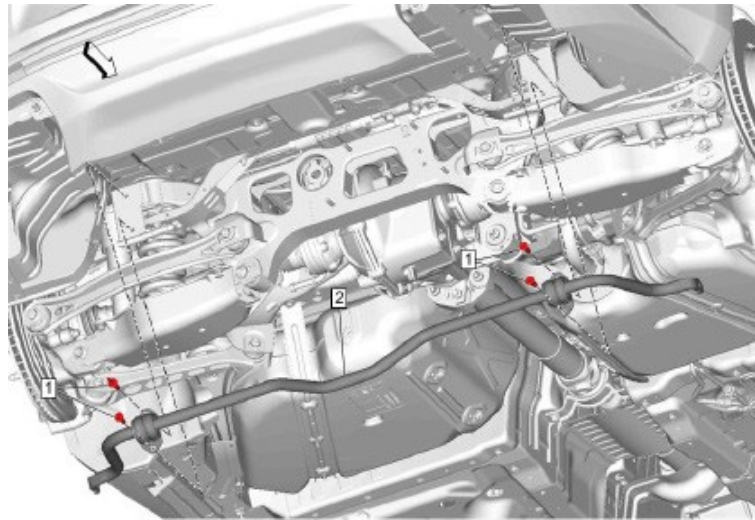
6. Vis de bride de palier élastique de barre stabilisatrice (1) » Déposer [4x]
7. Barre stabilisatrice arrière (2) » Déposer

Procédure d'installation

Mise en garde : Lors de la dépose ou repose, veiller à éviter tout contact de la barre stabilisatrice avec des outils ou composants du véhicule afin de préserver son revêtement de protection. Tout impact sur le revêtement peut entraîner une corrosion de la barre stabilisatrice et, dans le pire cas, sa rupture.



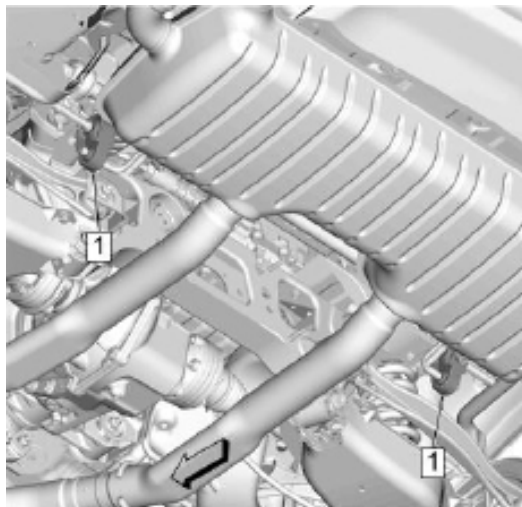
1. Avant la repose, vérifier que l'étiquette de référence (1) est du côté droit du véhicule.
2. Installer la barre stabilisatrice alors que le véhicule est soutenu à hauteur de bordure de trottoir avec des chandelles.



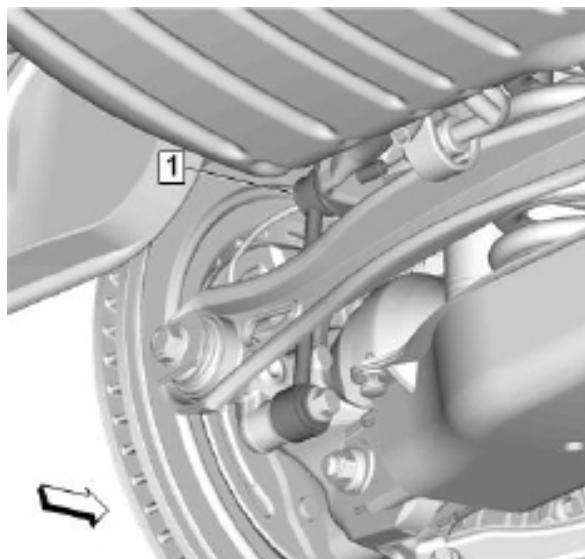
3. Barre stabilisatrice arrière (2) » Reposer

Mise en garde : Se reporter à Avertissement relatif aux fixations.

4. Insérer la tringle de barre stabilisatrice et poser l'écrou sans le serrer.
5. Boulon de collier de serrage d'isolateur de barre stabilisatrice arrière (1) » Posées et serrer [4x] **58 Nm (43 lb pi)**
6. Reposer le faisceau de câbles sur la vis supérieure de bride de palier élastique gauche de la barre stabilisatrice



7. Reposer les deux suspentes élastiques de silencieux arrière.



Remarque : Serrer à hauteur de bordure de trottoir avec des chandelles.

Remarque : NE PAS laisser tourner le joint à rotule de barre stabilisatrice supérieure.

8. Utiliser la clé hexagonale de dimension appropriée pour tenir le joint à rotule de barre stabilisatrice supérieure.
9. Écrou de tringle de barre stabilisatrice supérieure » Serrer **43 Nm (32 lb pi)**
10. Poser l'ensemble roue et pneu et abaisser le véhicule.



Juego de manejo de suspensión Chevrolet Camaro SC1
INSTRUCCIONES DE DESINSTALACIÓN E INSTALACIÓN DE SUSPENSIÓN

Gracias por elegir Chevrolet Performance como su fuente de alto desempeño. Chevrolet Performance está comprometido a proporcionar tecnología de desempeño comprobada e innovadora que en realidad.... sea más que sólo potencia. Las partes de Chevrolet Performance están diseñadas, desarrolladas y probadas para exceder sus expectativas de ajuste y función. Por favor consulte nuestro catálogo respecto al Centro Autorizado de Chevrolet Performance más cercano a usted o visite nuestra página en Internet www.chevroletperformance.com.

No se pretende que estas especificaciones reemplace las prácticas de servicio completas y detalladas explicadas en los manuales de servicio GM. Para instrucciones detalladas de instalación por favor vea en el manual de servicio para su vehículo específico.

Los manuales de servicio de GM están disponibles en:

Helm Incorporated
PO Box 07130
Detroit, MI 48207

Para información sobre cobertura de la garantía, por favor póngase en contacto con su concesionario local de Chevrolet Performance parts.

Observe todas las precauciones de seguridad y advertencias de los manuales de servicio durante la instalación de este juego en cualquier vehículo. Utilice protección para los ojos y ropa de protección adecuada. Soporte el vehículo firmemente con los puntales hidráulicos cuando trabaje bajo o alrededor de éste. Sólo use las herramientas adecuadas. Tenga mucha precaución cuando trabaje con líquidos y materiales inflamables, corrosivos y peligrosos. Algunos procedimientos requieren equipo y habilidades especiales. Si no tiene la capacitación, experiencia, y herramientas apropiadas para realizar cualquier parte de esta conversión con seguridad, este trabajo debe ser realizado por un profesional.

La información contenida en esta publicación se presenta sin ninguna garantía. El usuario asume completamente todo el riesgo por su uso. El diseño de componentes específicos, los procedimientos mecánicos, y las calificaciones de los lectores están más allá del control del editor, y por lo tanto el editor declina cualquier responsabilidad incurrida en conexión con el uso de la información provista en esta publicación.

Chevrolet, Chevy, el Emblema de Corbatín Chevrolet, General Motors, y GM son Marcas comerciales registradas de General Motors Corporation.

TITLE Camaro Suspension Kit	IR 11AP19	PART NO. 84401189	SHEET 37 OF 54
------------------------------------	------------------	--------------------------	-----------------------

ALL INFORMATION WITHIN ABOVE BORDER TO BE PRINTED EXACTLY AS SHOWN ON 8 1/2 x 11 WHITE 16 POUND BOND PAPER. PRINT ON BOTH SIDES, EXCLUDING TEMPLATES. TO BE UNITIZED IN ACCORDANCE WITH GM SPECIFICATIONS.	DATE	REVISION	AUTH
	14AU17	Initial Release - Chase Birks	2844829
	11AP19	Revision - Lawrence Wong	2844829

Contenido de juego de suspensión Camaro:

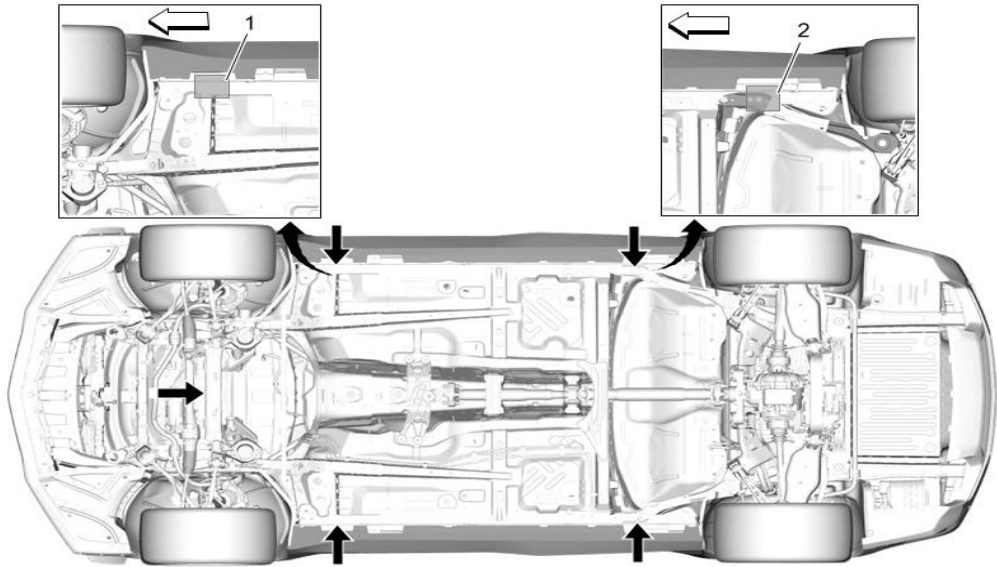
Barra estabilizadora delantera	1
Enlace de manejo delantero izquierdo	1
Enlace de manejo delantero derecho	1
Barra estabilizadora trasera	1
Tuerca - Enlace de manejo delantero	2
Perno - Enlace de manejo delantero	2
Tuerca - Barra estabilizadora delantera	4
Emblema Chevrolet Performance	1

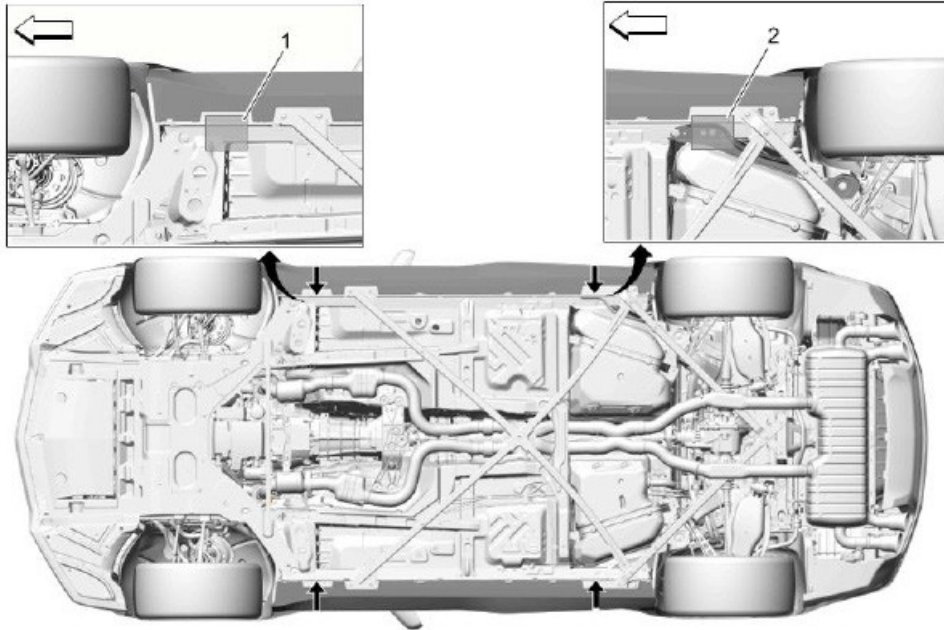
Herramientas Recomendadas

- CH-42188-B Separador de rótula
- J-36660-A Medidor de ángulo de apriete
- Torquímetro (10-150 lbs pie)

Levantamiento y soporte del vehículo

Nota: Puede que se requiera el uso de un SISTEMA DE BRAZOS DE LEVANTAMIENTO DE PERFIL BAJO para evitar contacto no deseado entre la carrocería y la estructura del vehículo dependiendo del equipo de levantamiento usado. Consulte las recomendaciones del fabricante para la aplicación de un sistema de brazos de levante de perfil bajo para su equipo de levantado.

Ubicaciones de elevación y soporte de Coupé


Ubicaciones de elevación y soporte de Convertible


Peligro: Para evitar cualquier daño al vehículo, lesiones personales serias o la muerte:

- Cuando se retiren los componentes principales del vehículo y el vehículo esté soportado por un elevador, soporte el vehículo con gatos hidráulicos en el extremo opuesto de donde se están retirando los componentes y sujete el vehículo al elevador.
- Cuando realice trabajo en el compartimiento del motor o debajo del vehículo, asegúrese que el cofre esté completamente abierto, o abierto en su seguro secundario. Cuando el cofre está abierto al segundo seguro, el vehículo desactivará las funciones de arranque remoto del transmisor de llave y la aplicación móvil OnStar. La falla en abrir el cofre, o abrir el cofre al seguro secundario mientras realiza una reparación en el compartimiento del motor o debajo del vehículo puede resultar en arranque inadvertido del vehículo que podría resultar en lesiones personales o daño al vehículo.

Peligro: Para evitar cualquier daño al vehículo, lesiones personales serias o la muerte, siempre use los soportes hidráulicos para soportar el vehículo cuando levante el vehículo con un gato.

Precaución: Realice los siguientes pasos antes de comenzar cualquier procedimiento de levantamiento o soporte:

- Retire y asegure todo el contenido del vehículo para evitar cualquier cambio o cualquier movimiento que pueda ocurrir durante el procedimiento de levantamiento o soporte del vehículo.
- La capacidad de peso del equipo de levantamiento o del equipo de soporte debe cumplir o exceder el peso del vehículo y cualquier contenido del vehículo.
- El equipo de levantamiento o el equipo de soporte deben cumplir con las normas de operación del fabricante del equipo de levantamiento o el equipo de soporte.
- Realice el procedimiento de levantamiento o soporte del vehículo en una superficie limpia, dura, seca y nivelada.
- Realice el procedimiento de elevación o levantamiento del vehículo únicamente en los puntos de levantamiento identificados. NO permita que el equipo de elevación o el equipo de levantamiento haga contacto con ningún otro componente del vehículo.

La falla en realizar los pasos anteriores podría resultar en daño al equipo de levantamiento o al equipo de soporte, al vehículo, y/o al contenido del vehículo.



Levantamiento de vehículo - Elevador de contacto de marco

Nota: El vehículo debe de ser elevado para que las superficies de contacto de levantamiento o los brazos de levante no hagan contacto con la moldura del tablero de estribo. La superficie de contacto de levantamiento debe de estar ubicada en el área designada. En la ubicación frontal, coloque las superficies de contacto de levantamiento en la brida de soldadura del panel exterior de estribo. En la ubicación trasera, coloque las superficies de contacto de levantamiento en la brida de soldadura del panel de la abrazadera del estribo trasero. Se debe tener cuidado para asegurar que la superficie de contacto esté dentro del área recortada de la moldura del panel del estribo (ranura) para prevenir que se dañe el vehículo.

Almohadillas de levantamiento delantero

Cuando levante el vehículo con un levantador de contacto de bastidor, coloque las superficies de contacto frontales en la brida de soldadura del panel exterior del estribo (1), como se muestra

Almohadillas de levantamiento trasero

Cuando levante el vehículo con un levantador de contacto de bastidor, coloque las superficies de contacto traseras en la brida de soldadura del panel exterior del estribo (2), como se muestra.

Colocación del vehículo sobre gatos

Precaución: Cuando levante el vehículo en las ubicaciones delanteras, asegúrese que el gato hidráulico o la almohadilla del soporte no haga contacto con la fascia delantera, el deflector de aire de la fascia delantera, o las defensas delanteras. Si ocurre tal contacto, puede resultar en daño al vehículo. Cuando levante en las ubicaciones delanteras seleccionadas se puede requerir un claro adicional para los puntos de levantamiento.

Nota: Al levantar un vehículo con un gato de servicio, bloquee las ruedas en el extremo opuesto en el que esté levantando. Utilice soportes ajustables para proporcionar apoyo adicional.

Frente del vehículo

Cuando use un gato de servicio debajo del frente del vehículo sólo use una de las siguientes ubicaciones:

Coloque la superficie para el gato en el mismo lugar que se muestra para las superficies de levantamiento o en la superficie de contacto del gato central frontal.

Parte trasera del vehículo

Nota: Coloque soportes SÓLO debajo de estructuras fuertes y estables del vehículo.

Coloque la almohadilla del gato de servicio en la misma ubicación que se muestra para las almohadillas de levantamiento traseras.

Precaución de sujetador

Precaución: Use el sujetador correcto en la ubicación correcta. Los sujetadores de reemplazo deben ser el número de parte correcto para esa aplicación. No use pinturas, lubricantes o inhibidores de corrosión sobre sujetadores, o superficies de unión del sujetador, a menos que se especifique. Estos recubrimientos afectan el apriete del sujetador y la fuerza de sujeción de la unión y pueden dañar el sujetador. Use la secuencia y las especificaciones de apriete correctas cuando instale sujetadores para evitar dañar las partes y los sistemas. Cuando use sujetadores que se enrosquen directamente en plástico, tenga cuidado extremo para no trasroscar las partes de plástico de empate. Sólo use herramientas manuales, y no use ningún tipo de herramientas de impacto o eléctricas. El sujetador se debe apretar a mano, asentarse completamente, y no trasroscarse.

Advertencia de sujetador de apriete a cedencia

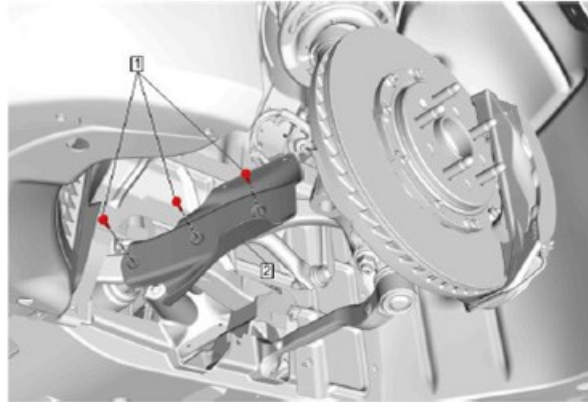
Advertencia: Este vehículo está equipado con sujetadores de apriete a cedencia o de uso sencillo. Instale un NUEVO sujetador de apriete a cedencia o de uso sencillo cuando instale este componente. La falla en reemplazar los sujetadores de apriete a cedencia o de uso sencillo podría causar daño al vehículo, el componente, o lesiones corporales.

TITLE Camaro Suspension Kit	IR 11AP19	PART NO. 84401189	SHEET 40 OF 54
------------------------------------	------------------	--------------------------	------------------------------

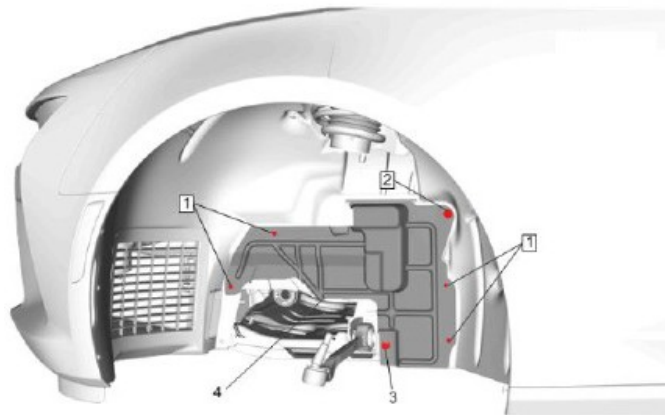
ALL INFORMATION WITHIN ABOVE BORDER TO BE PRINTED EXACTLY AS SHOWN ON 8 1/2 x 11 WHITE 16 POUND BOND PAPER. PRINT ON BOTH SIDES, EXCLUDING TEMPLATES. TO BE UNITIZED IN ACCORDANCE WITH GM SPECIFICATIONS.	DATE	REVISION	AUTH
	14AU17	Initial Release - Chase Birks	2844829
	11AP19	Revision - Lawrence Wong	2844829

Procedimiento de desinstalación

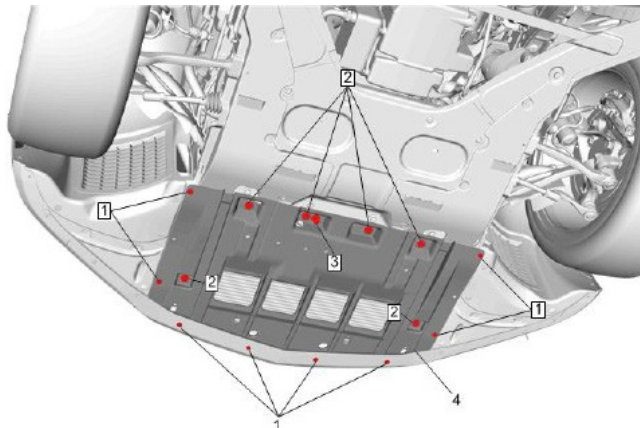
1. Quite el ensamble de llanta y rueda frontal.



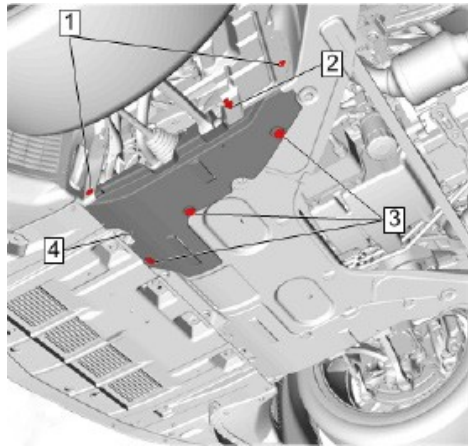
2. Perno de deflector de ducto de enfriamiento de rotor de freno delantero (1) » Retirar [3x]



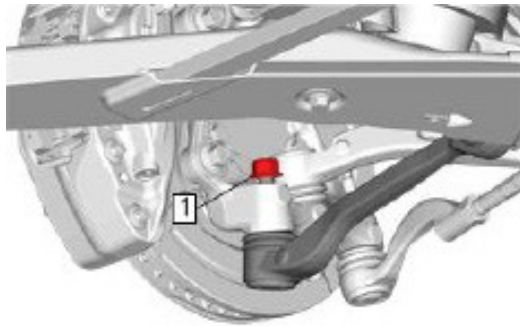
3. Sujetadores de salpicadera de alojamiento de rueda delantera (1) » Retirar [4x]
4. Sujetadores de salpicadera de alojamiento de rueda delantera (2) » Retirar
5. Retenedor de salpicadera de alojamiento de rueda delantera (3) » Retirar
6. Salpicadera de alojamiento de rueda delantera (4) » Retirar



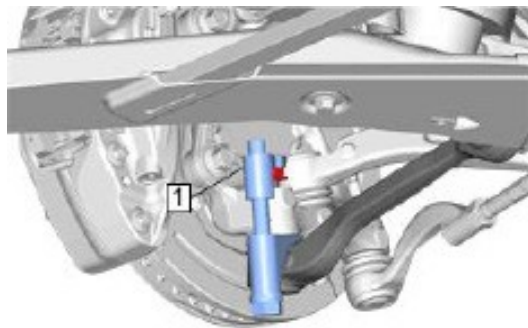
7. Sujetadores de deflector de aire de compartimento delantero (1) » Retirar
8. Sujetadores de deflector de aire de compartimento delantero (2) » Retirar [6x]
9. Retenedor de deflector de aire de compartimento delantero (3) » Retirar
10. Deflector de aire de compartimento delantero (4) » Retirar



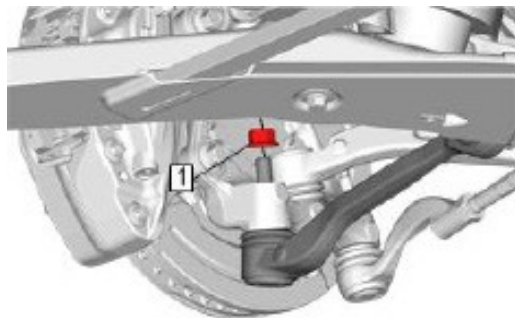
- 11. Sujetador de protección de ruido lateral de compartimiento delantero (1) » Retirar [2x]
- 12. Sujetador de protección de ruido lateral de compartimiento delantero (3) » Retirar [3x]
- 13. Protección de ruido lateral de compartimiento delantero (4) » Retirar



- 14. Tuerca de articulación de dirección (1) » Aflojar
NO retire la tuerca.



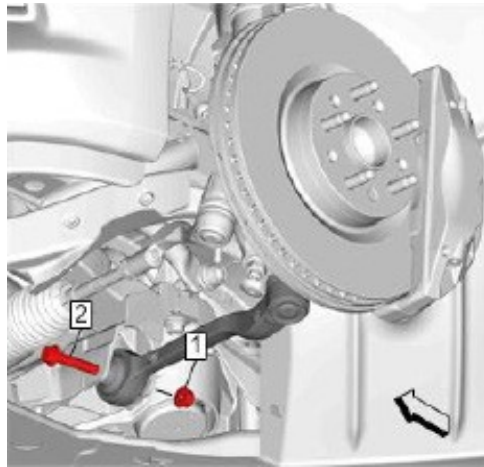
- 15. Use el separador *CH-42188-B* (1) para separar el enlace delantero de control inferior delantero de la articulación de dirección.



- 16. Tuerca de articulación de dirección (1) » Retirar

TITLE Camaro Suspension Kit	IR 11AP19	PART NO. 84401189	SHEET 42 OF 54
------------------------------------	------------------	--------------------------	-----------------------

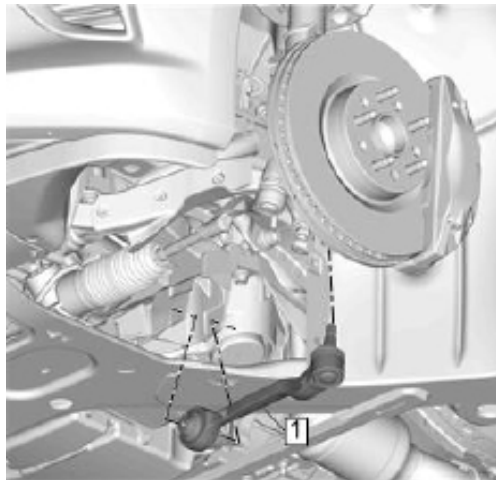
ALL INFORMATION WITHIN ABOVE BORDER TO BE PRINTED EXACTLY AS SHOWN ON 8 1/2 x 11 WHITE 16 POUND BOND PAPER. PRINT ON BOTH SIDES, EXCLUDING TEMPLATES. TO BE UNITIZED IN ACCORDANCE WITH GM SPECIFICATIONS.	DATE	REVISION	AUTH
	14AU17	Initial Release - Chase Birks	2844829
	11AP19	Revision - Lawrence Wong	2844829



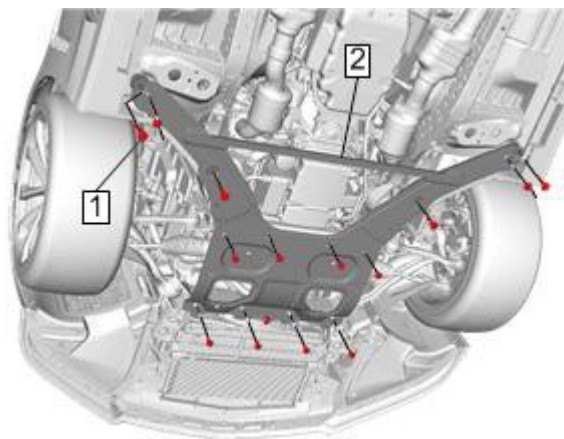
17. Tuerca de enlace trasero de control inferior delantero (1) » Retirar

Precaución: Tenga precaución cuando retire los componentes que rodean las fundas del mecanismo de dirección. Evite el contacto de la herramienta con la funda y los sujetadores del mecanismo de dirección. El daño a la funda del mecanismo de la dirección puede guiar a contaminación con suciedad y agua en el bastidor y los componentes del mecanismo de dirección que requiere un reemplazo de prevención del Mecanismo de dirección y sus componentes.

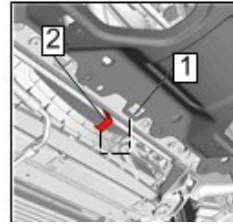
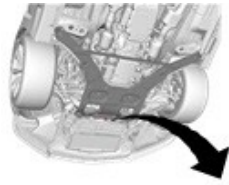
18. Perno de enlace trasero de control inferior delantero (2) » Retire y DESECHE el perno.



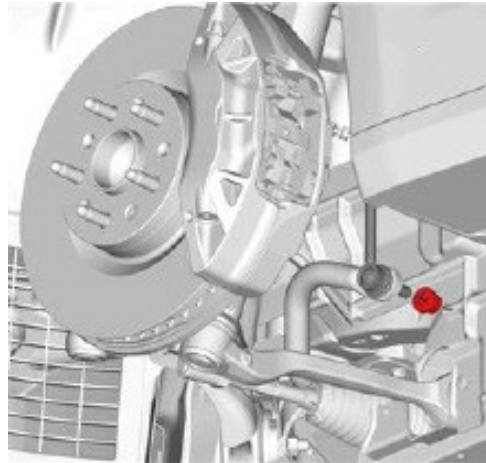
19. Retire el enlace trasero de control inferior delantero (1) del vehículo.



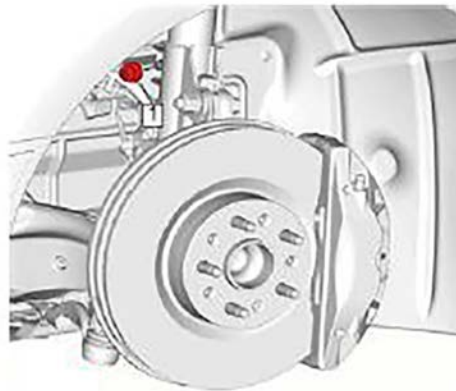
20. Sujetador de placa de corte de cuna delantera (1) » Retirar



21. Placa de corte de cuna delantera (1) @ Gancho de placa de corte de cuna delantera (2) » Retirar



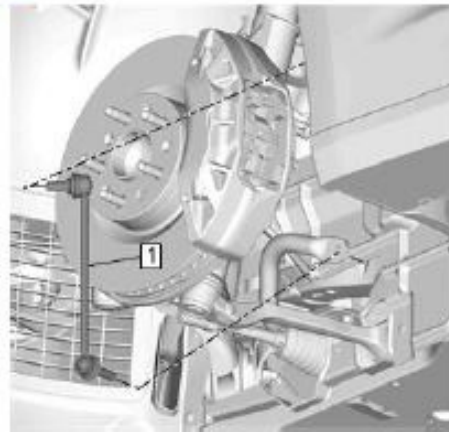
22. Tuerca de enlace de eje estabilizador delantero (1) @ Eje estabilizador » Retirar y DESECHAR tuerca



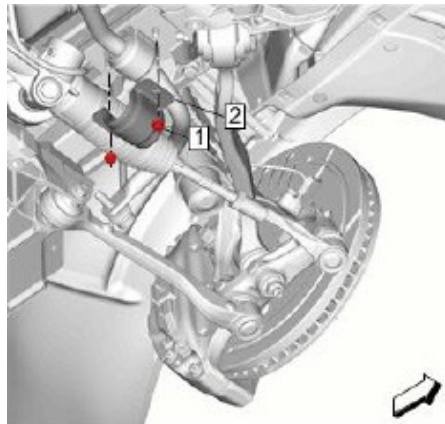
23. Tuerca de enlace de eje estabilizador delantero (1) @ Ensamble de puntal » Retirar y DESECHAR tuerca

TITLE Camaro Suspension Kit	IR 11AP19	PART NO. 84401189	SHEET 44 OF 54
------------------------------------	-----------	--------------------------	------------------------------

ALL INFORMATION WITHIN ABOVE BORDER TO BE PRINTED EXACTLY AS SHOWN ON 8 1/2 x 11 WHITE 16 POUND BOND PAPER. PRINT ON BOTH SIDES, EXCLUDING TEMPLATES. TO BE UNITIZED IN ACCORDANCE WITH GM SPECIFICATIONS.	DATE	REVISION	AUTH
	14AU17	Initial Release - Chase Birks	2844829
	11AP19	Revision - Lawrence Wong	2844829

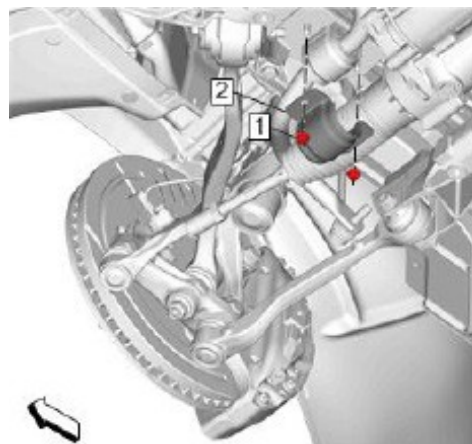


24. Retire el enlace del eje estabilizador delantero (1) del vehículo



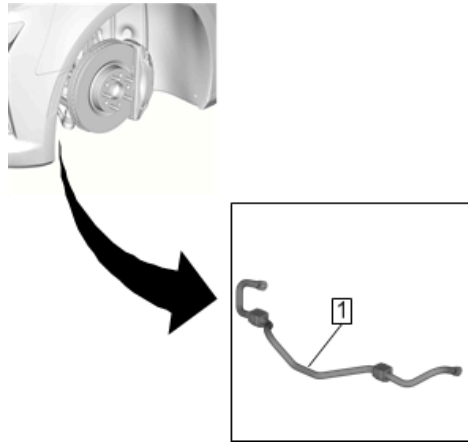
Precaución: Tenga precaución cuando retire los componentes que rodean las fundas del mecanismo de dirección. Evite el contacto de la herramienta con la funda y los sujetadores del mecanismo de dirección. El daño a la funda del mecanismo de la dirección puede guiar a contaminación con suciedad y agua en el bastidor y los componentes del mecanismo de dirección que requiere un reemplazo de prevención del Mecanismo de dirección y sus componentes.

25. Con un casquillo giratorio, retire las tuercas de la abrazadera (1) y la abrazadera (2) del aislador del eje estabilizador delantero del lado izquierdo.



Precaución: Tenga precaución cuando retire los componentes que rodean las fundas del mecanismo de dirección. Evite el contacto de la herramienta con la funda y los sujetadores del mecanismo de dirección. El daño a la funda del mecanismo de la dirección puede guiar a contaminación con suciedad y agua en el bastidor y los componentes del mecanismo de dirección que requiere un reemplazo de prevención del Mecanismo de dirección y sus componentes.

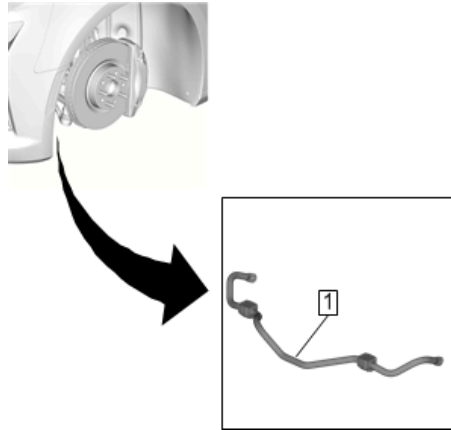
26. Con un casquillo giratorio, retire las tuercas de la abrazadera (1) y la abrazadera (2) del aislador del eje estabilizador delantero del lado derecho.



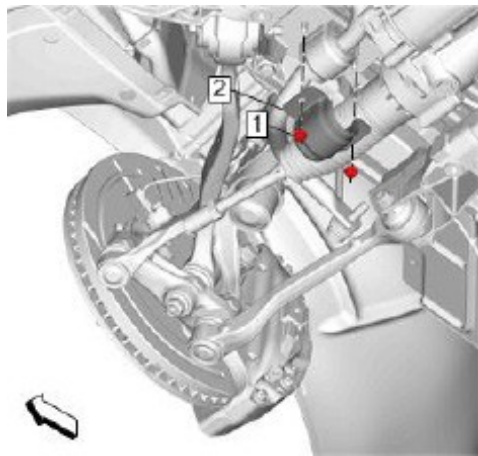
Nota: NO se puede dar servicio a los aisladores del eje del estabilizador delantero. NO transfiera los aisladores.

27. Retire el eje del estabilizador delantero (1) del vehículo.

Procedimiento de instalación



1. Coloque el eje del estabilizador delantero (1) en el vehículo.



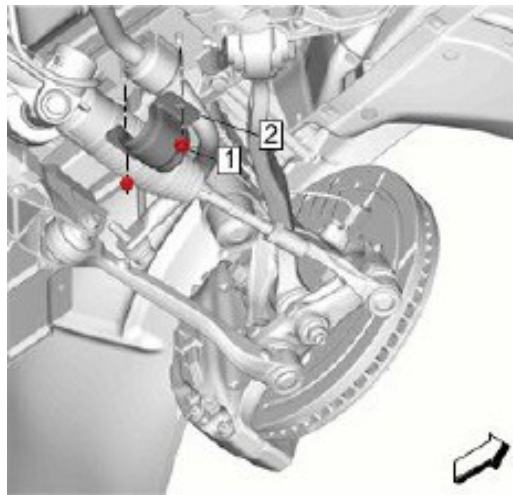
Precaución: Consulte Precaución de sujetador.

Precaución: Tenga precaución cuando retire los componentes que rodean las fundas del mecanismo de dirección. Evite el contacto de la herramienta con la funda y los sujetadores del mecanismo de dirección. El daño a la funda del mecanismo de la dirección puede guiar a contaminación con suciedad y agua en el bastidor y los componentes del mecanismo de dirección que requiere un reemplazo de prevención del Mecanismo de dirección y sus componentes.

2. Con un casquillo giratorio, instale la abrazadera (2) y las tuercas (1) del aislador del eje estabilizador delantero del lado derecho y apriete las tuercas a **22 N·m (16 lbs pie)**.

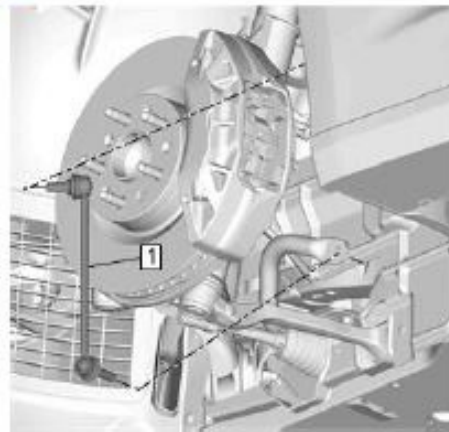
TITLE Camaro Suspension Kit	IR 11AP19	PART NO. 84401189	SHEET 46 OF 54
------------------------------------	------------------	--------------------------	------------------------------

ALL INFORMATION WITHIN ABOVE BORDER TO BE PRINTED EXACTLY AS SHOWN ON 8 1/2 x 11 WHITE 16 POUND BOND PAPER. PRINT ON BOTH SIDES, EXCLUDING TEMPLATES. TO BE UNITIZED IN ACCORDANCE WITH GM SPECIFICATIONS.	DATE	REVISION	AUTH
	14AU17	Initial Release - Chase Birks	2844829
	11AP19	Revision - Lawrence Wong	2844829

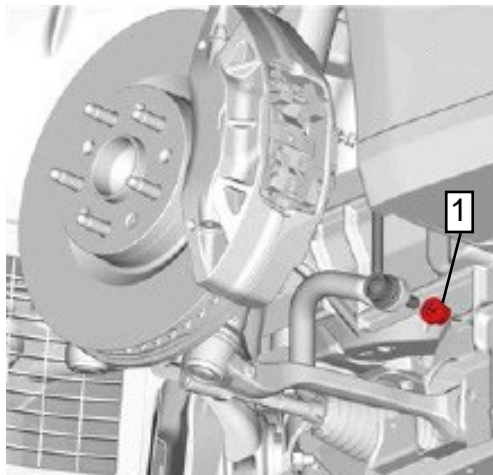


Precaución: Tenga precaución cuando retire los componentes que rodean las fundas del mecanismo de dirección. Evite el contacto de la herramienta con la funda y los sujetadores del mecanismo de dirección. El daño a la funda del mecanismo de la dirección puede guiar a contaminación con suciedad y agua en el bastidor y los componentes del mecanismo de dirección que requiere un reemplazo de prevención del Mecanismo de dirección y sus componentes.

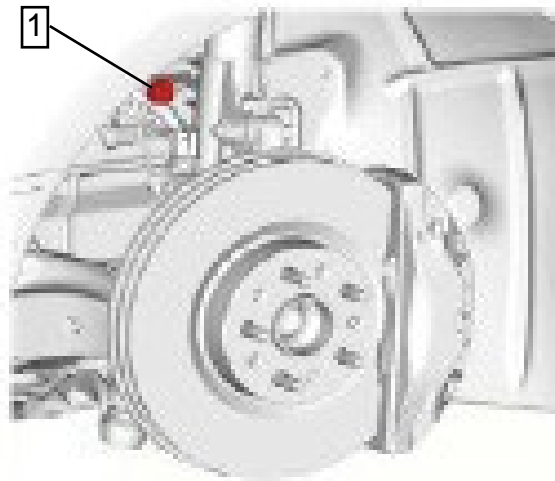
3. Con un casquillo giratorio, instale la abrazadera (2) y las tuercas (1) del aislador del eje estabilizador delantero del lado izquierdo y apriete las tuercas a **22 N·m (16 lbs pie)**.



4. Coloque el enlace del eje estabilizador delantero (1) en el vehículo.

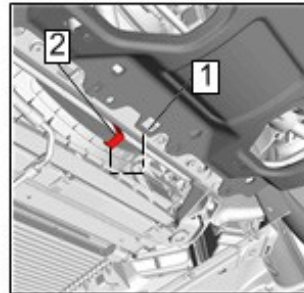
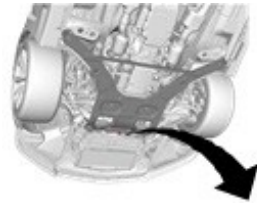


5. Instale la tuerca de enlace del eje del estabilizador delantero izquierdo (1) @ Eje del estabilizador » y apriete **100 N·m (74 lb ft)**.
6. Instale la tuerca de enlace del eje del estabilizador delantero derecho (1) @ Eje del estabilizador » y apriete **100 N·m (74 lb ft)**.

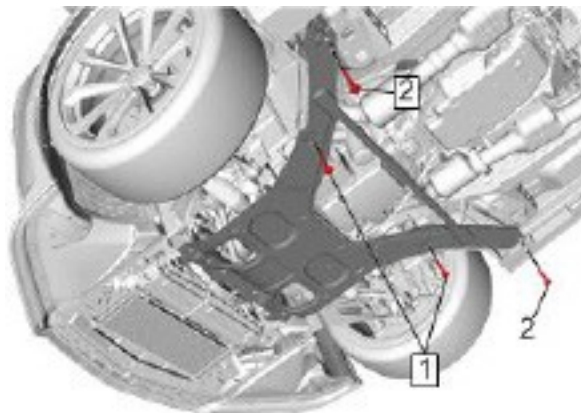


7. Instale la tuerca de enlace del eje del estabilizador delantero izquierdo (1) @ Ensamble del puntal »Instale y apriete **100 N·m (74 lb ft)**.

8. Instale la tuerca de enlace del eje del estabilizador delantero derecho (1) @ Ensamble del puntal »Instale y apriete **100 N·m (74 lb ft)**.



9. Placa de corte de cuna delantera (1) @ Gancho de placa de corte de cuna delantera (2) » Instalar



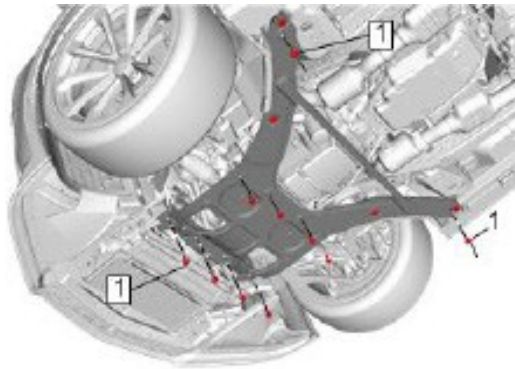
10. Instale holgadamente los pernos de alineación de la placa de corte de la cuna delantera. (1)

11. Sujetador de placa de corte de cuna delantera (2) » Apretar **50 N·m (37 lbs pie)**

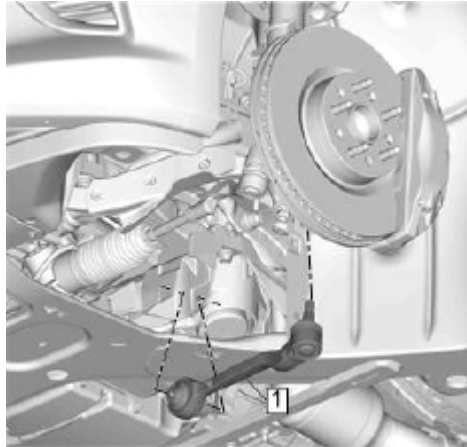
12. Apriete los pernos de alineación de la placa de corte del eje delantero (1) » Apretar **50 N·m (37 lbs pie)**

TITLE Camaro Suspension Kit	IR 11AP19	PART NO. 84401189	SHEET 48 OF 54
------------------------------------	-----------	--------------------------	------------------------------

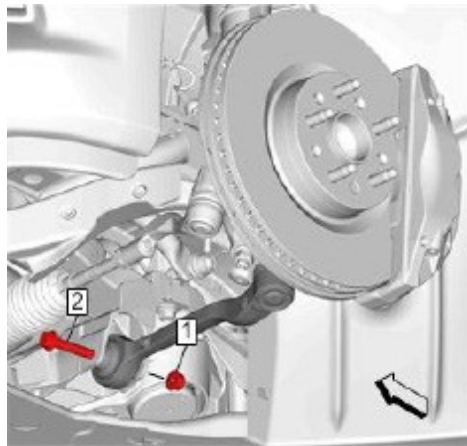
ALL INFORMATION WITHIN ABOVE BORDER TO BE PRINTED EXACTLY AS SHOWN ON 8 1/2 x 11 WHITE 16 POUND BOND PAPER. PRINT ON BOTH SIDES, EXCLUDING TEMPLATES. TO BE UNITIZED IN ACCORDANCE WITH GM SPECIFICATIONS.	DATE	REVISION	AUTH
	14AU17	Initial Release - Chase Birks	2844829
	11AP19	Revision - Lawrence Wong	2844829



13. Sujetador de placa de corte de cuna delantera (1) » Apretar **50 N·m (37 lbs pie)**



14. Coloque el enlace trasero de control inferior delantero (1) en el vehículo.



Precaución: Este vehículo está equipado con sujetadores de apriete a cedencia o de uso sencillo. Instale un **NUEVO** sujetador de apriete a cedencia o de uso sencillo cuando instale este componente. La falla en reemplazar el sujetador de apriete a cedencia o de uso sencillo podría causar daño al vehículo o componente.

15. Perno de enlace trasero de control inferior delantero (2) » Instalar perno **NUEVO**.

16. Tuerca de enlace trasero de control inferior delantero (1) » Instalar tuerca **NUEVA**.

Precaución: Consulte Precaución de sujetador.

17. Perno de enlace trasero de control inferior delantero (2) » Apretar

Apriete

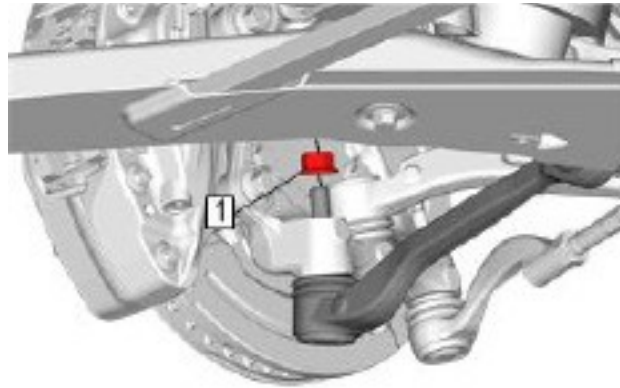
1. Primer pase: **100 N·m (74 lbs pie)**

2. Pase final: **(90-105 grados)**

18. Revise la funda del mecanismo de dirección respecto a daño. Si se observa daño, reemplace la funda del mecanismo de dirección.

TITLE Camaro Suspension Kit	IR 11AP19	PART NO. 84401189	SHEET 49 OF 54
------------------------------------	------------------	--------------------------	------------------------------

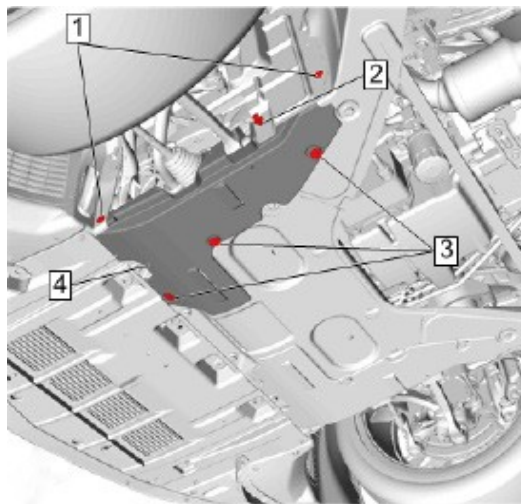
ALL INFORMATION WITHIN ABOVE BORDER TO BE PRINTED EXACTLY AS SHOWN ON 8 1/2 x 11 WHITE 16 POUND BOND PAPER. PRINT ON BOTH SIDES, EXCLUDING TEMPLATES. TO BE UNITIZED IN ACCORDANCE WITH GM SPECIFICATIONS.	DATE	REVISION	AUTH
	14AU17	Initial Release - Chase Birks	2844829
	11AP19	Revision - Lawrence Wong	2844829



19. Tuerca de articulación de dirección (1) » Instalar y apretar

Apriete

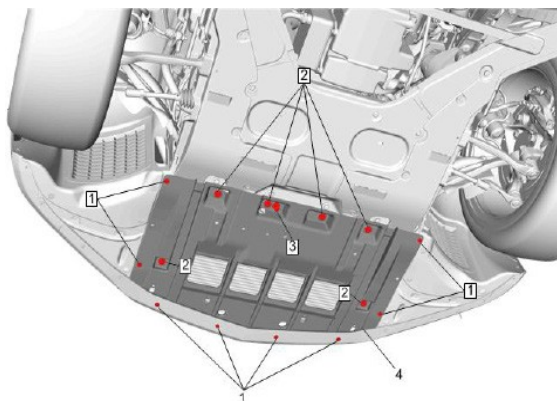
- 1. Primer pase: **40 N·m (30 lbs pie)**
- 2. Pase final: **(120-135 grados)**



20. Protección de ruido lateral de compartimiento delantero (4) » Instalar

21. Tornillo de protección de ruido lateral de compartimiento delantero (1) » Instalar y apretar **2.5 N·m (22 lbs pulg.)**

22. Perno de protección de ruido lateral de compartimiento delantero (3) » Instalar y apretar [3x] **9 N·m (80 lbs pulg.)**



23. Deflector de aire de compartimiento delantero (4) » Instalar

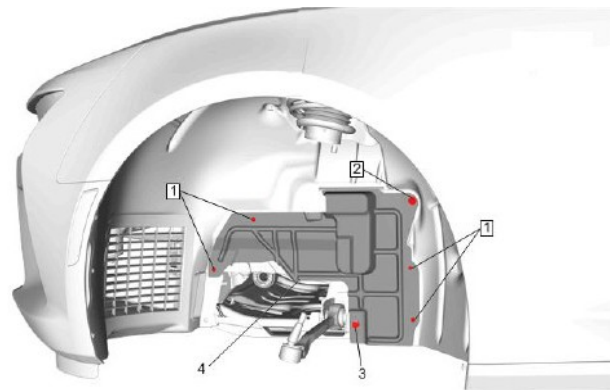
24. Retenedor de deflector de aire de compartimiento delantero (3) » Instalar

25. Sujetadores de deflector de aire de compartimiento delantero (2) » Instalar y apretar [6x] **5 N·m (44 lbs pulg.)**

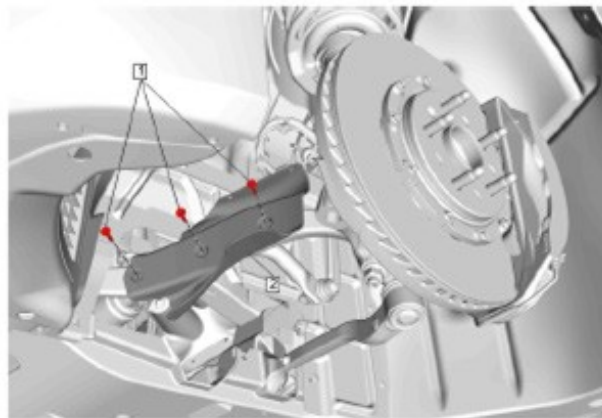
26. Sujetadores de deflector de aire de compartimiento delantero (1) » Instalar y apretar [8x] **2.5 N·m (22 lbs pulg.)**

TITLE Camaro Suspension Kit	IR 11AP19	PART NO. 84401189	SHEET 50 OF 54
------------------------------------	------------------	--------------------------	-----------------------

ALL INFORMATION WITHIN ABOVE BORDER TO BE PRINTED EXACTLY AS SHOWN ON 8 1/2 x 11 WHITE 16 POUND BOND PAPER. PRINT ON BOTH SIDES, EXCLUDING TEMPLATES. TO BE UNITIZED IN ACCORDANCE WITH GM SPECIFICATIONS.	DATE	REVISION	AUTH
	14AU17	Initial Release - Chase Birks	2844829
	11AP19	Revision - Lawrence Wong	2844829



- 27. Salpicadera de alojamiento de rueda delantera (4) » Instalar
- 28. Retenedor de salpicadera de alojamiento de rueda delantera (3) » Instalar
- 29. Sujetadores de salpicadera de alojamiento de rueda delantera (2) » Instalar y apretar **5 N·m (44 lbs pulg.)**
- 30. Sujetadores de salpicadera de alojamiento de rueda delantera (1) » Instalar y apretar [4x] **2.5 N·m (22 lbs pulg.)**



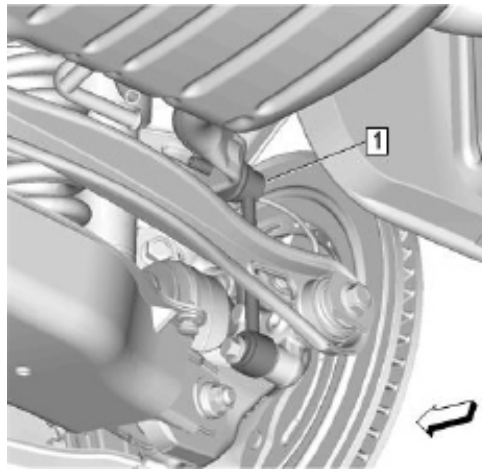
- 31. Deflector de ducto de enfriamiento de rotor de freno delantero (2) » Instalar
- 32. Perno de deflector de ducto de enfriamiento de rotor de freno delantero (1) » Apretar [3x] **3.3 N·m (29 lbs pie)**
- 33. Instale el ensamble de llanta y rueda delantera.
- 34. Se necesita una alineación de rueda delantera después de la instalación del juego SC1

Reemplazo de eje estabilizador trasero

Procedimiento de desinstalación

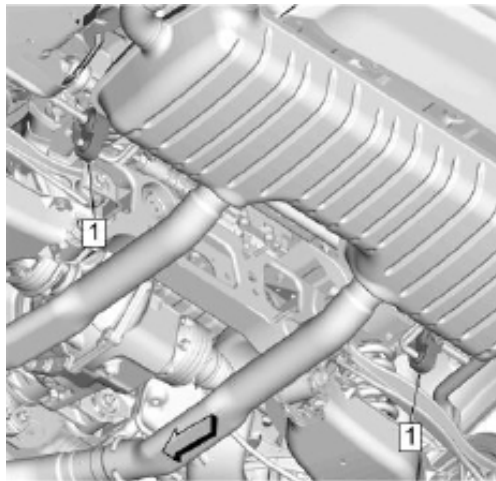
- 1. Retire los ensambles de llanta y rueda traseros.

Precaución: Tenga cuidado cuando retire o instale el eje estabilizador ya que el recubrimiento se puede retirar por contacto con las herramientas u otros componentes del vehículo. Ocurrirá corrosión y resultará en falla prematura del eje estabilizador.

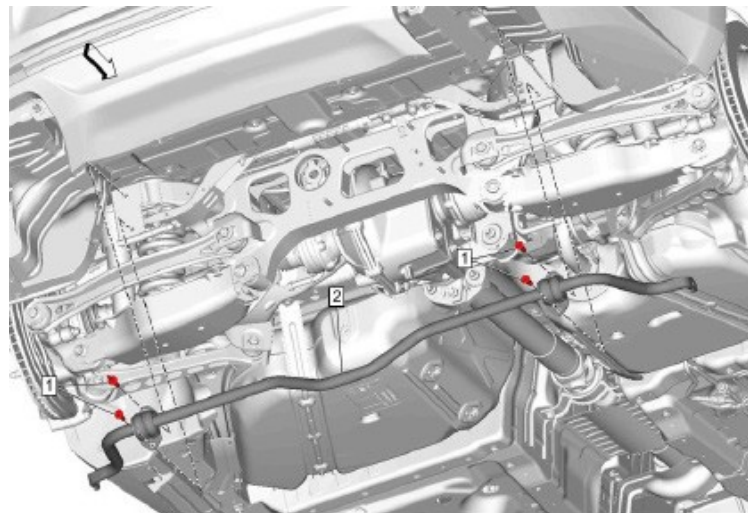


Nota: NO permita que la rótula del eje estabilizador superior gire.

2. Con la llave Allen de tamaño adecuado, sostenga la rótula del eje estabilizador superior.
3. Retire la tuerca del enlace del eje estabilizador superior.



4. Retire los dos aisladores del silenciador de escape trasero.
5. Retire el arnés de cableado del perno de la abrazadera del aislador del eje estabilizador superior izquierdo.



Nota: Se retiró el Silenciador de escape sólo para propósitos de ilustración. No es necesario retirar el Silenciador de escape para retirar el Eje estabilizador.

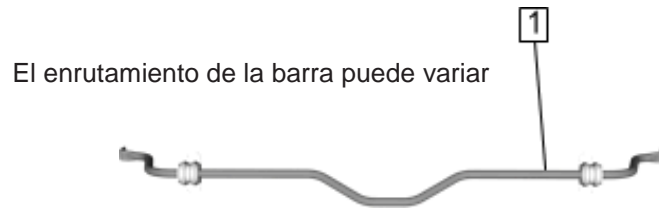
6. Perno de abrazadera de aislador de eje estabilizador trasero (1) » Retirar [4x]
7. Eje de estabilizador trasero (2) » Retirar

TITLE Camaro Suspension Kit	IR 11AP19	PART NO. 84401189	SHEET 52 OF 54
------------------------------------	-----------	--------------------------	------------------------------

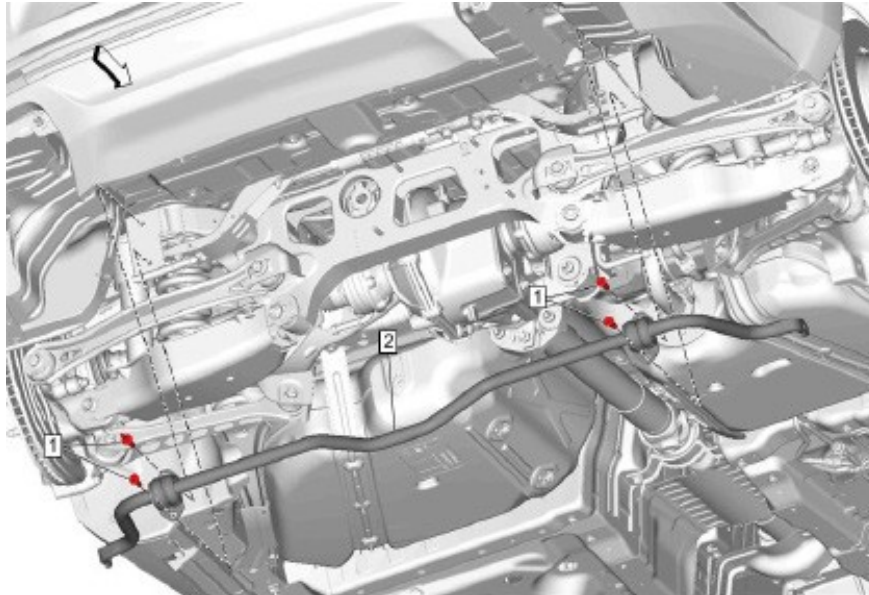
ALL INFORMATION WITHIN ABOVE BORDER TO BE PRINTED EXACTLY AS SHOWN ON 8 1/2 x 11 WHITE 16 POUND BOND PAPER. PRINT ON BOTH SIDES, EXCLUDING TEMPLATES. TO BE UNITIZED IN ACCORDANCE WITH GM SPECIFICATIONS.	DATE	REVISION	AUTH
	14AU17	Initial Release - Chase Birks	2844829
	11AP19	Revision - Lawrence Wong	2844829

Procedimiento de instalación

Precaución: Tenga cuidado cuando retire o instale el eje estabilizador ya que el recubrimiento se puede retirar por contacto con las herramientas u otros componentes del vehículo. Ocurrirá corrosión y resultará en falla prematura del eje estabilizador.



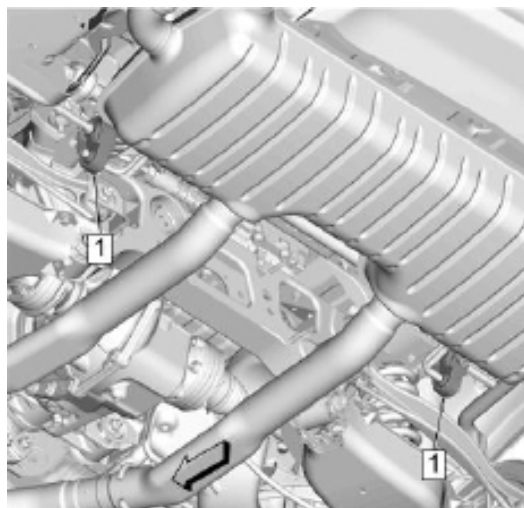
1. Antes de la instalación verifique que la etiqueta de identificación (1) esté en el lado derecho del vehículo.
2. Instale el eje estabilizador con el vehículo en altura de banqueta con soportes de gato hidráulico.



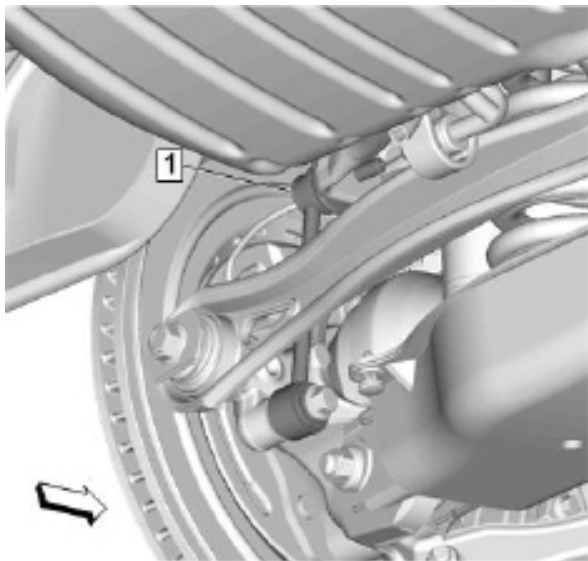
3. Eje de estabilizador trasero (2) » Instalar

Precaución: Consulte Precaución de sujetador.

4. Inserte el enlace del eje estabilizador e instale holgadamente la tuerca
5. Perno de abrazadera de aislador de eje estabilizador trasero (1) » Instalar y apretar [4x] **58 N·m (43 lbs pie)**
6. Instale el arnés de cableado del perno a la abrazadera del aislador del eje estabilizador superior izquierdo.



7. Instale los dos aisladores del silenciador de escape trasero.



Nota: Apretar en altura de banqueta con los soportes de gato hidráulico.

Nota: NO permita que la rótula del eje estabilizador superior gire.

8. Con la llave Allen de tamaño adecuado, sostenga la rótula del eje estabilizador superior.
9. Tuerca de enlace de eje estabilizador superior » Apretar **43 N·m (32 lbs pie)**
10. Instale el ensamble de llanta y rueda y baje el vehículo

DATE	REVISION	AUTH
14AU17	Initial Release - Chase Birks	2844829
11AP19	Revision - Lawrence Wong	2844829