

Document ID: 4859339

Body Emblem Package Installation

[Installation Instructions Part Number](#)

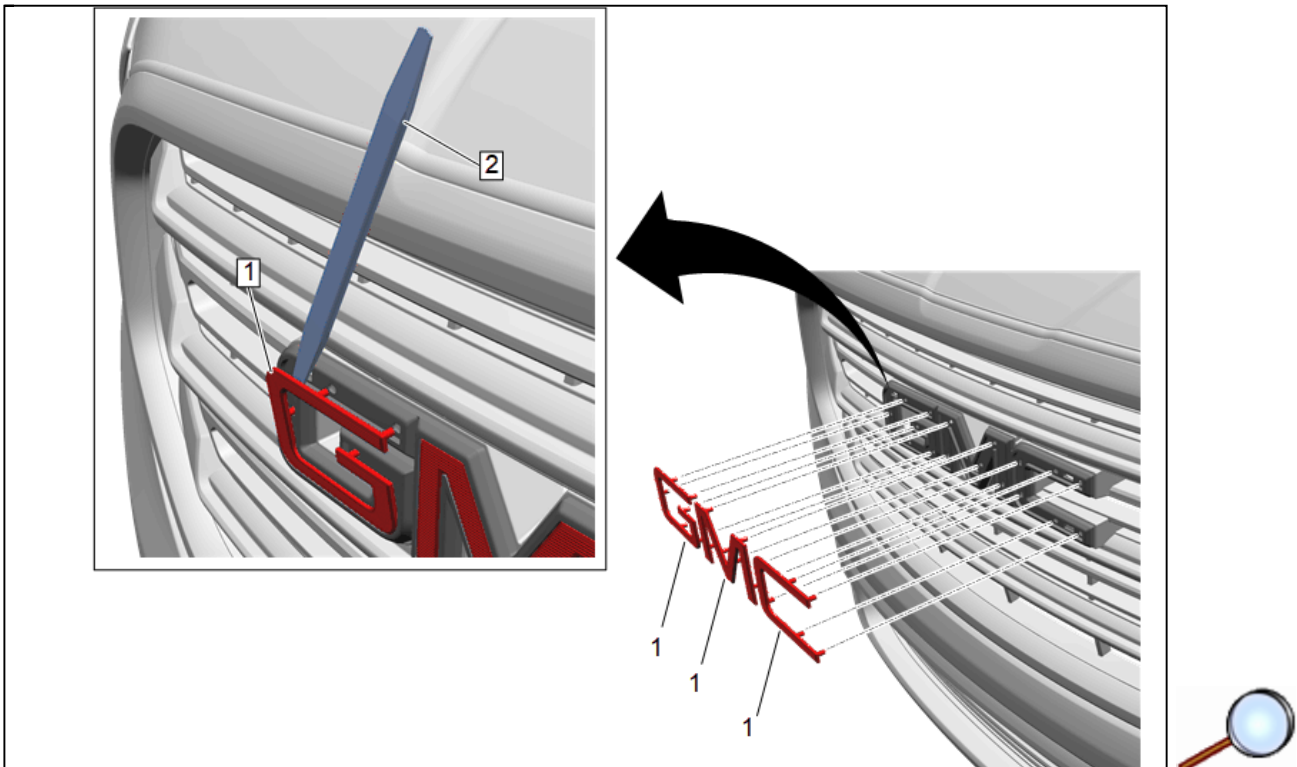
84416278

Kit Contents

Qty	Description
1	Emblem Assembly GMC – Front
1	Emblem Assembly GMC – Liftgate
1	Installation Instructions

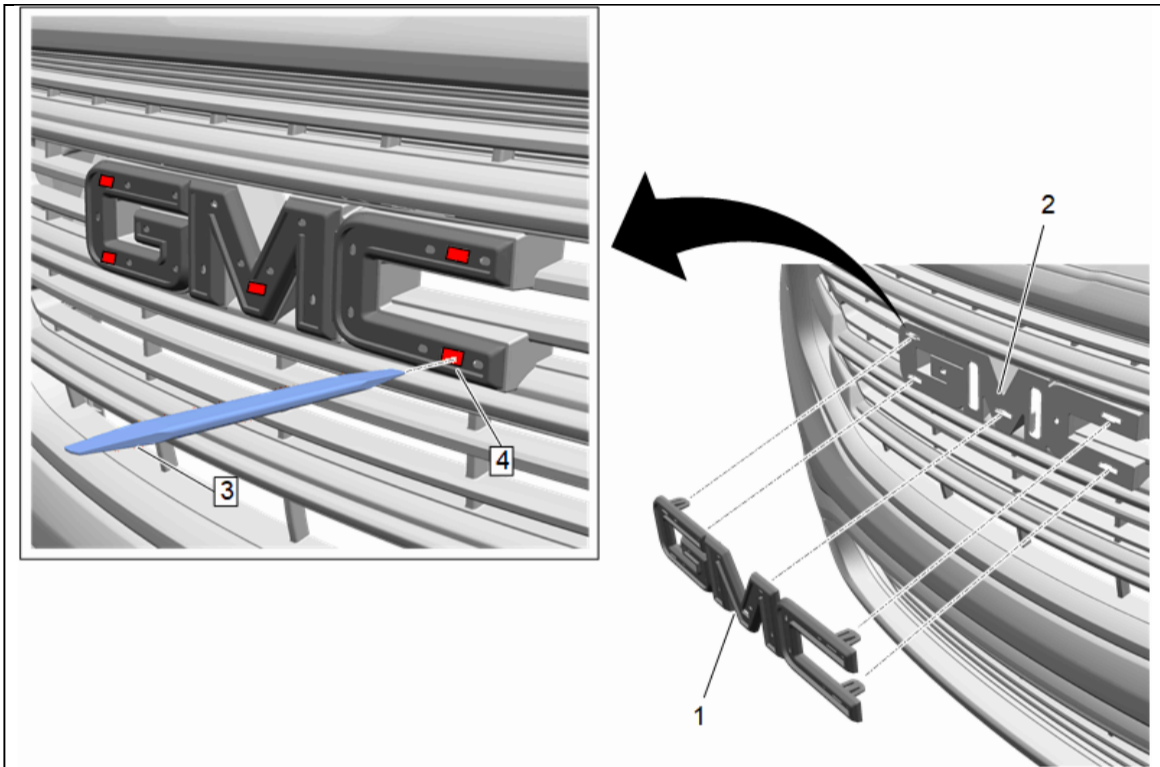
Procedure

1. **Front GMC Emblem Replacement.** Read all instructions before performing procedure.
2. Inspect kit to verify all parts are included.
3. Turn off the vehicle.

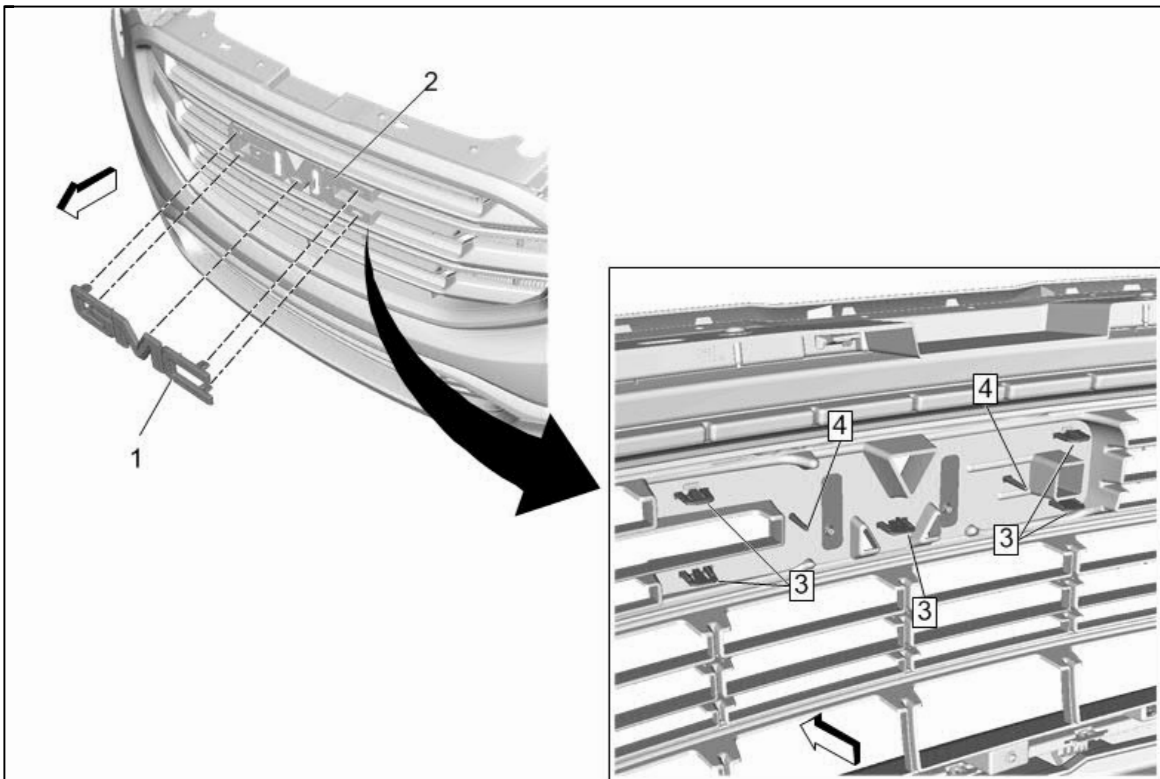


Note: Red emblems will be damaged and not suitable for re-use.

4. Using a suitable flat-bladed tool (2), carefully remove the red emblem insert (1) from each letter.



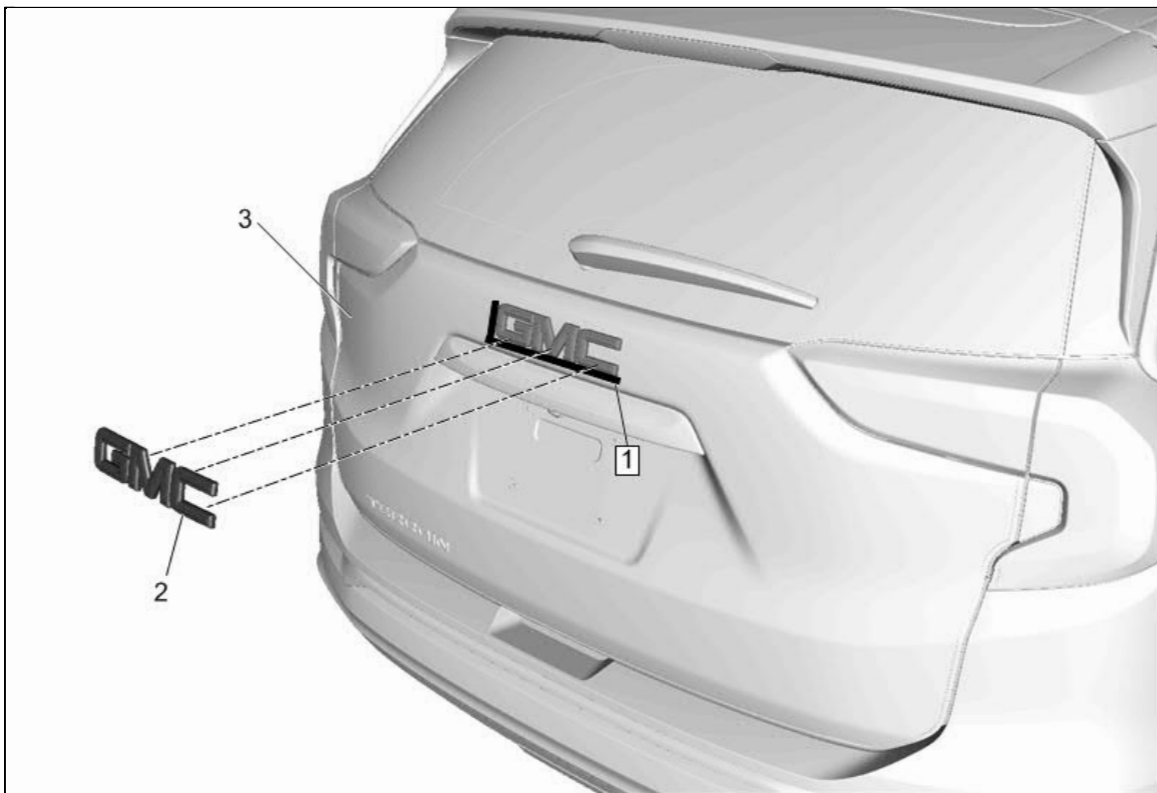
5. Using a suitable flat bladed tool (3), carefully release the retention clips (4) and remove each letter (1) from grille (2). Be careful to avoid damage to the retaining tabs in the grille (2), as this may result in loose fit of the new emblems.



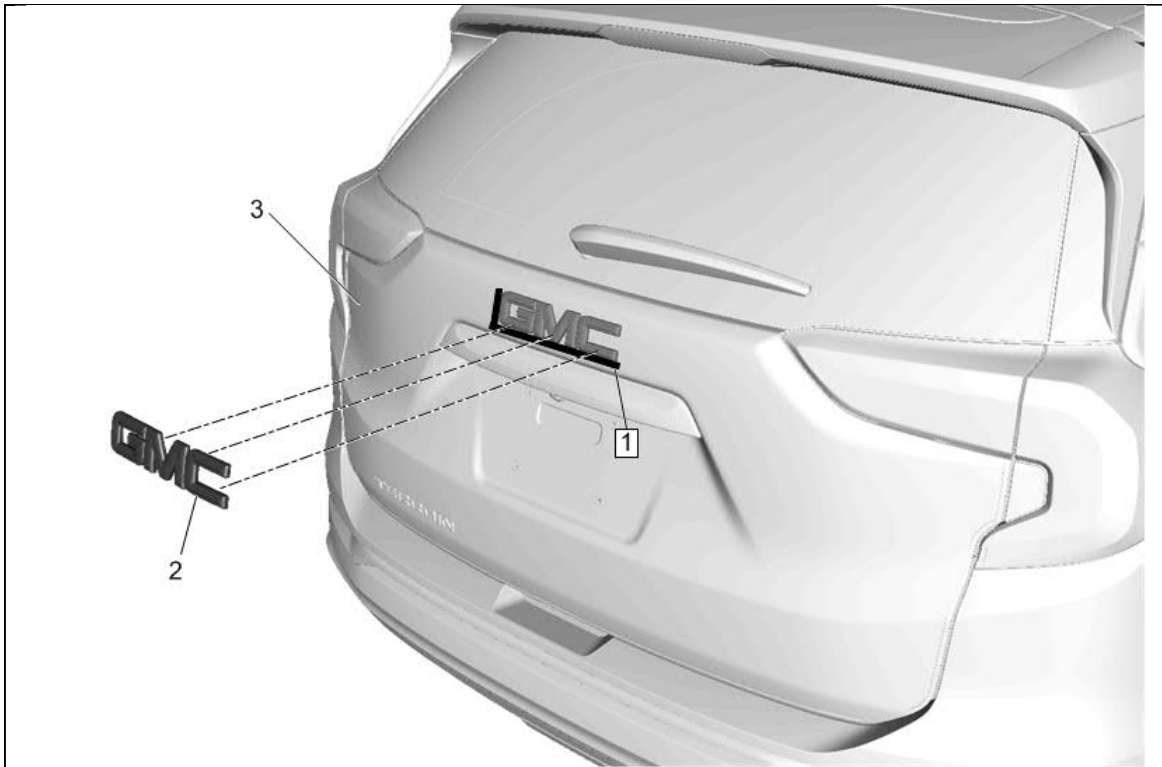
6. Accurately position the new emblem (1) to the grille (2) using the locating pins (4).
 7. Apply enough evenly distributed pressure to engage the locking/retention tabs (3).
 8. Verify that the emblem is fully seated and securely attached to the grille.

Rear GMC Emblem Replacement

1. Turn off vehicle.
2. If there is an existing emblem on the liftgate:



- 2.1. Mark the position of the emblem with a washable marker or masking tape (1) prior to removal.
Caution: Do not use heat gun or any other heat source to remove emblems from any plastic part (applique) or around any plastic part. Applying heat to liftgate/emblem may damage the finish of plastic part (applique) resulting in replacing the plastic parts (applique).
 - 2.2. Carefully use a plastic flat-bladed tool to assist in removal of the existing emblem (2) from the liftgate surface (3)..
 - 2.3. Clean any remaining residue with a 50/50 mixture by volume of isopropyl alcohol and clean drinkable water. Wipe surface dry with a clean lint-free towel.
3. Installing the Rear Emblem:
 - 3.1. The part surface should be 21°C (70°F) prior to installation. The vehicle should remain 21°C (70°F) for one hour after assembly to allow adhesive to develop sufficient bond strength.
 - 3.2. When removing protective liners from the adhesive tape, be careful not to touch tape with hands and do not allow tape to come in contact with dirt or any foreign matter prior to adhesion.



- 3.3. Position new emblem (2) carefully within reference marks (1) and place on prepared surface of liftgate (3).
- 3.4. Using the palm of the hand, apply strong pressure to all areas of the emblem to ensure full adhesion is achieved.
- 3.5. Carefully remove any markings or tape used to locate the rear emblem. Clean the liftgate surface as needed.