

Body Emblem Package Installation

Installation Instructions Part Number

84434792

Kit Contents

Qty	Description
1	Emblem Assembly Bow Tie – Front Grille
1	Emblem Assembly Black Bow tie – Endgate
1	Installation Instructions

Before you start

Note: For the nameplate to adhere best, the vehicle's mating surface (doors, rear compartment, etc.) should be free of damage (dents, scratches, creases, fractures, etc.).

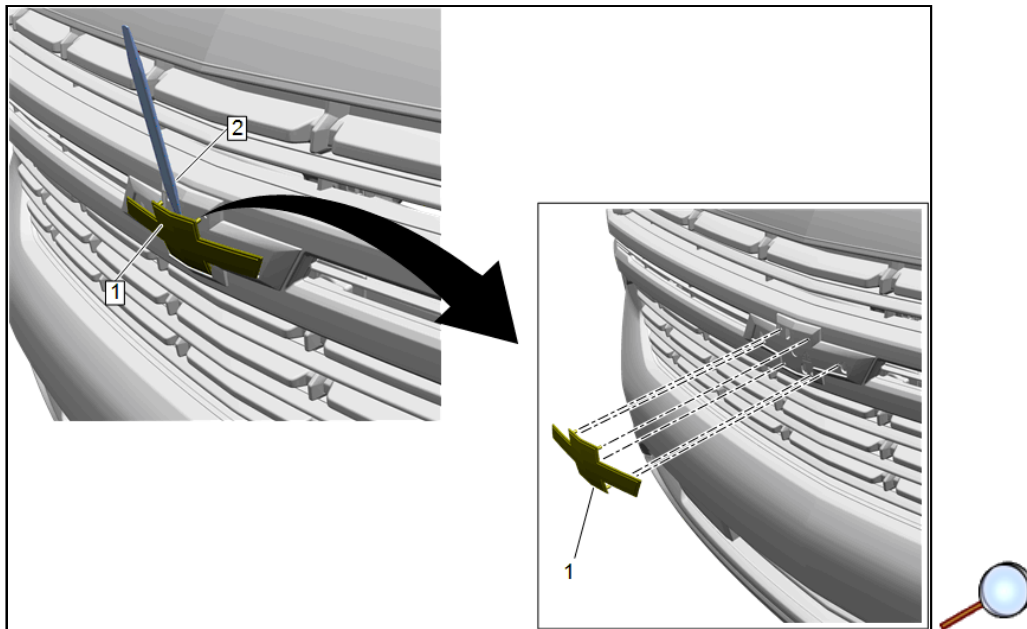
Caution: Do not use heat gun/hair dryer or apply excessive heat to the emblem/nameplate as this may damage the paint and surrounding panel surfaces during removal.

Caution: Use a plastic, flat-bladed tool to prevent paint damage when removing an emblem/nameplate. Do not use fishing line to remove nameplate as this may worsen the tape residue cleaning process. Use Isopropyl Alcohol and Lint Free Cloth to remove tape residue. Heavy foam/adhesive residue remaining on the painted surface can be removed using 3M's Scotch-Brite™ Molding Adhesive and Stripe Removal 4-inch Foam Disc.

Caution: Only install nameplates as a direct replacement of the existing vehicle content.

Procedure

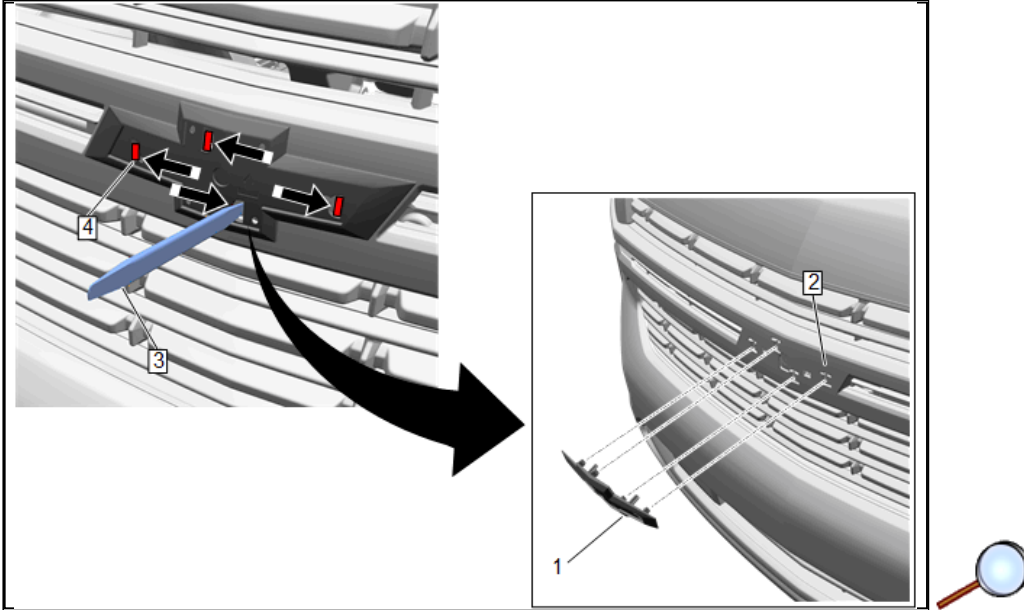
1. **Front Bow Tie Emblem Replacement.** Read all instructions before performing procedure.
2. Inspect kit to verify all parts are included.
3. Turn off the vehicle.
4. Open the hood.



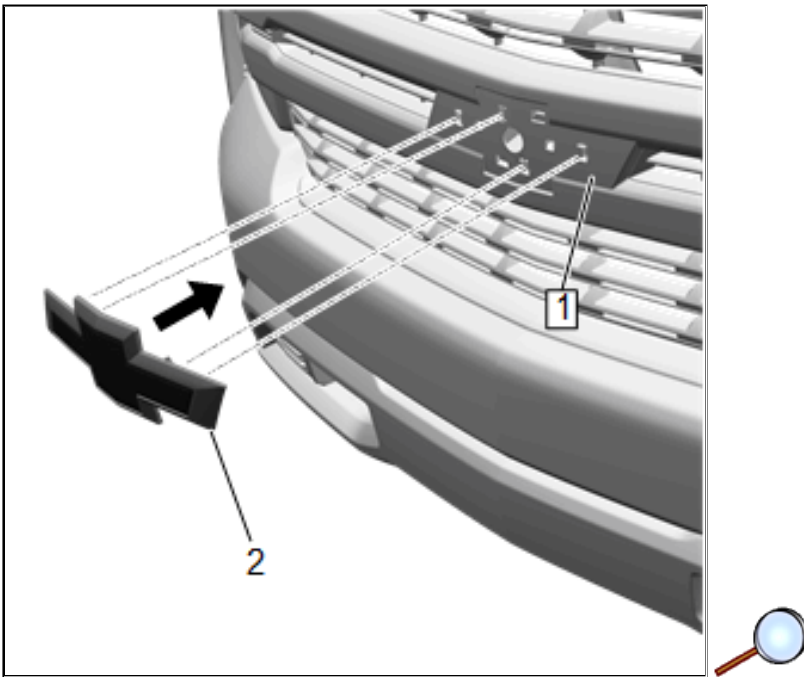
Note: Exterior temperature of vehicle should be between 21°C – 43°C (70°F – 110°F) prior to removing grille bowtie emblem and insert. Any temperatures below the recommended could result in broken retaining tabs on grille.

Note: Bowtie emblem insert will be damaged and not suitable for re-use.

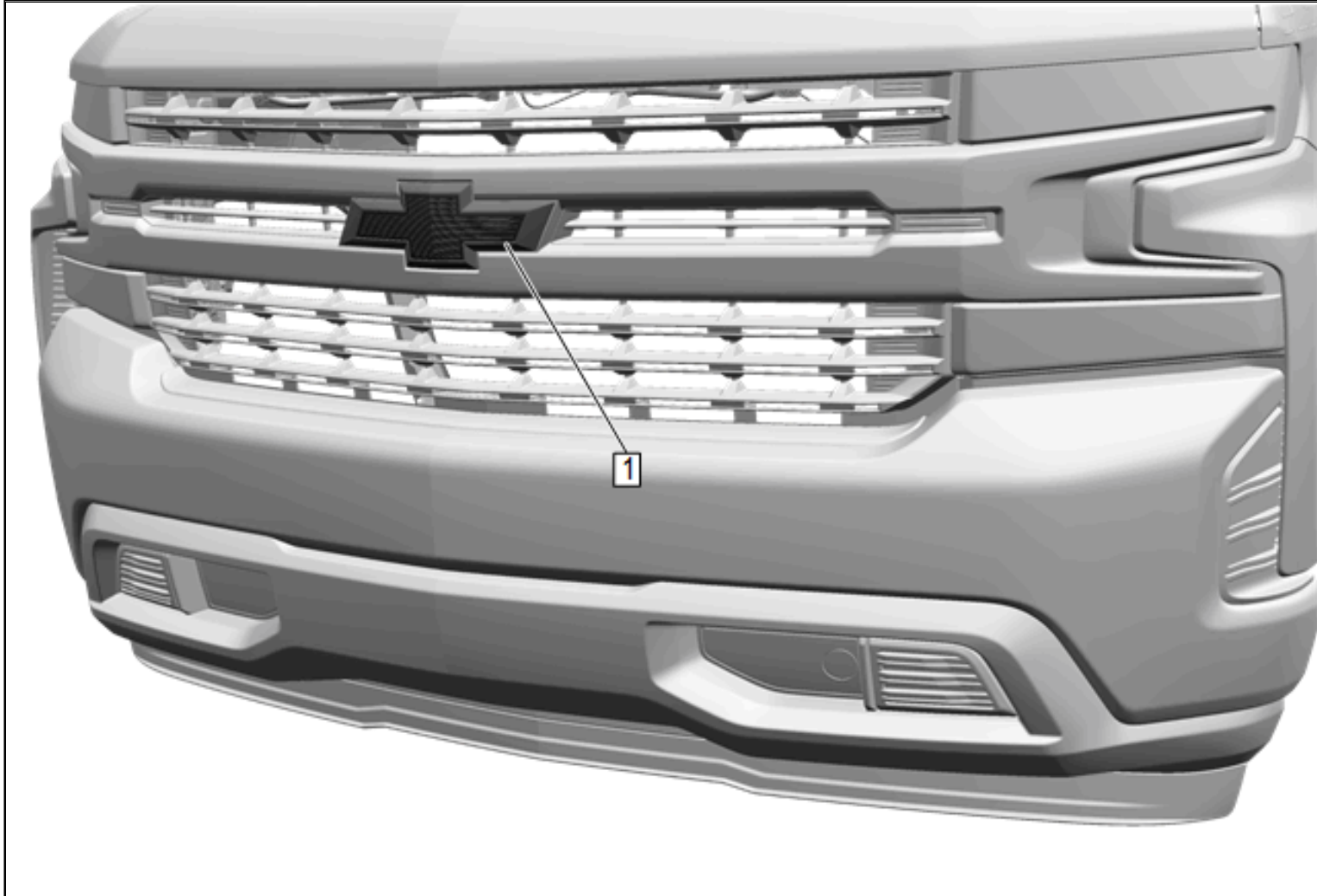
5. Using a suitable flat-bladed tool (2), carefully remove the bowtie emblem insert (1) from bowtie emblem housing.



6. Using a suitable flat bladed tool (3), carefully release the retention clips in each slot (4) according to direction of arrow and remove bowtie emblem housing (1) from grille (2). **Be careful to avoid damage to the retaining tabs in the grille (2)**, as this may result in loose fit of the new bowtie emblem.



7. Accurately position the new bowtie emblem (2) to grille (1) using the locating pins.
8. Install the new bowtie emblem, applying enough evenly distributed pressure to engage the locking/retention tabs.



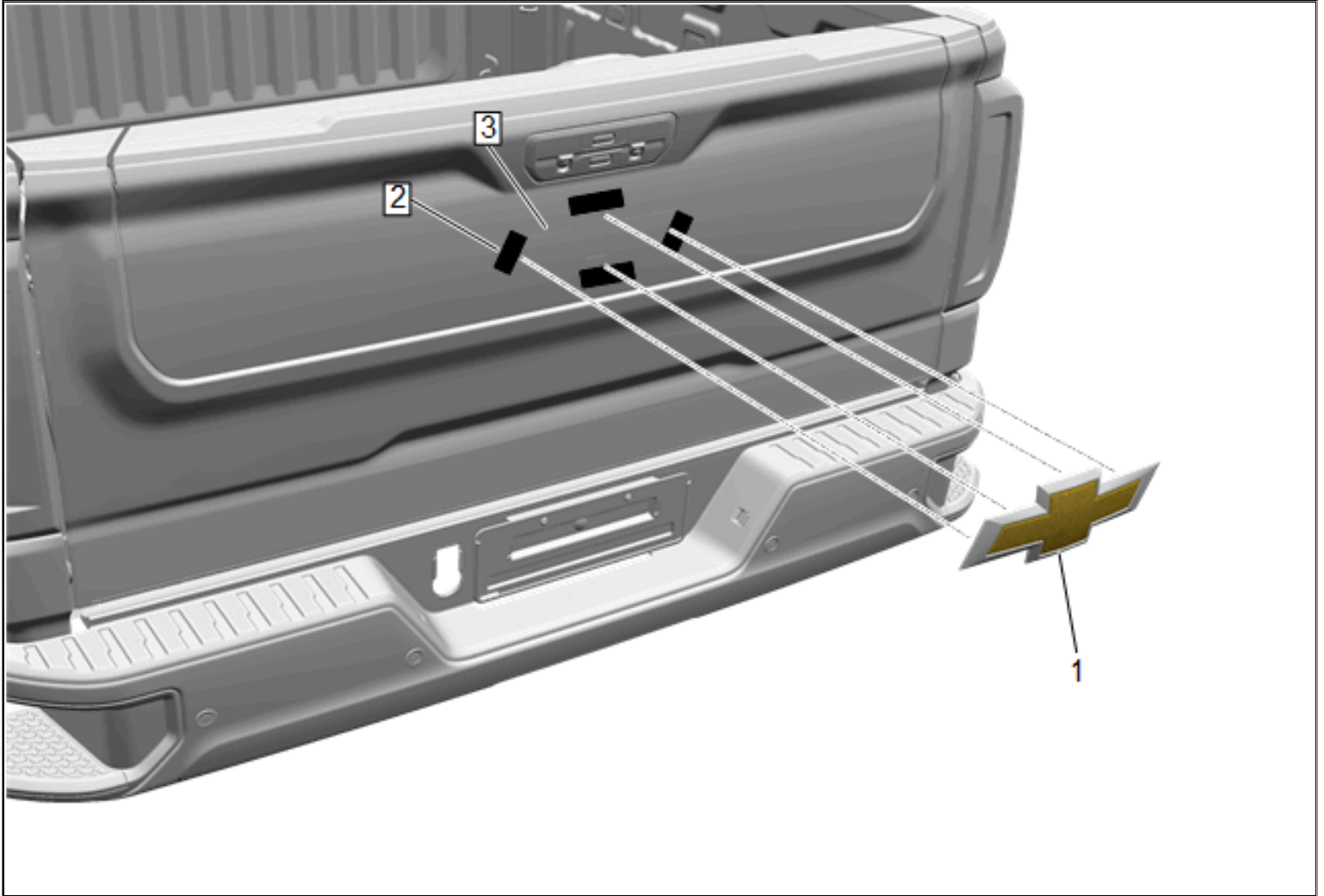
© 2024 General Motors. All rights reserved.



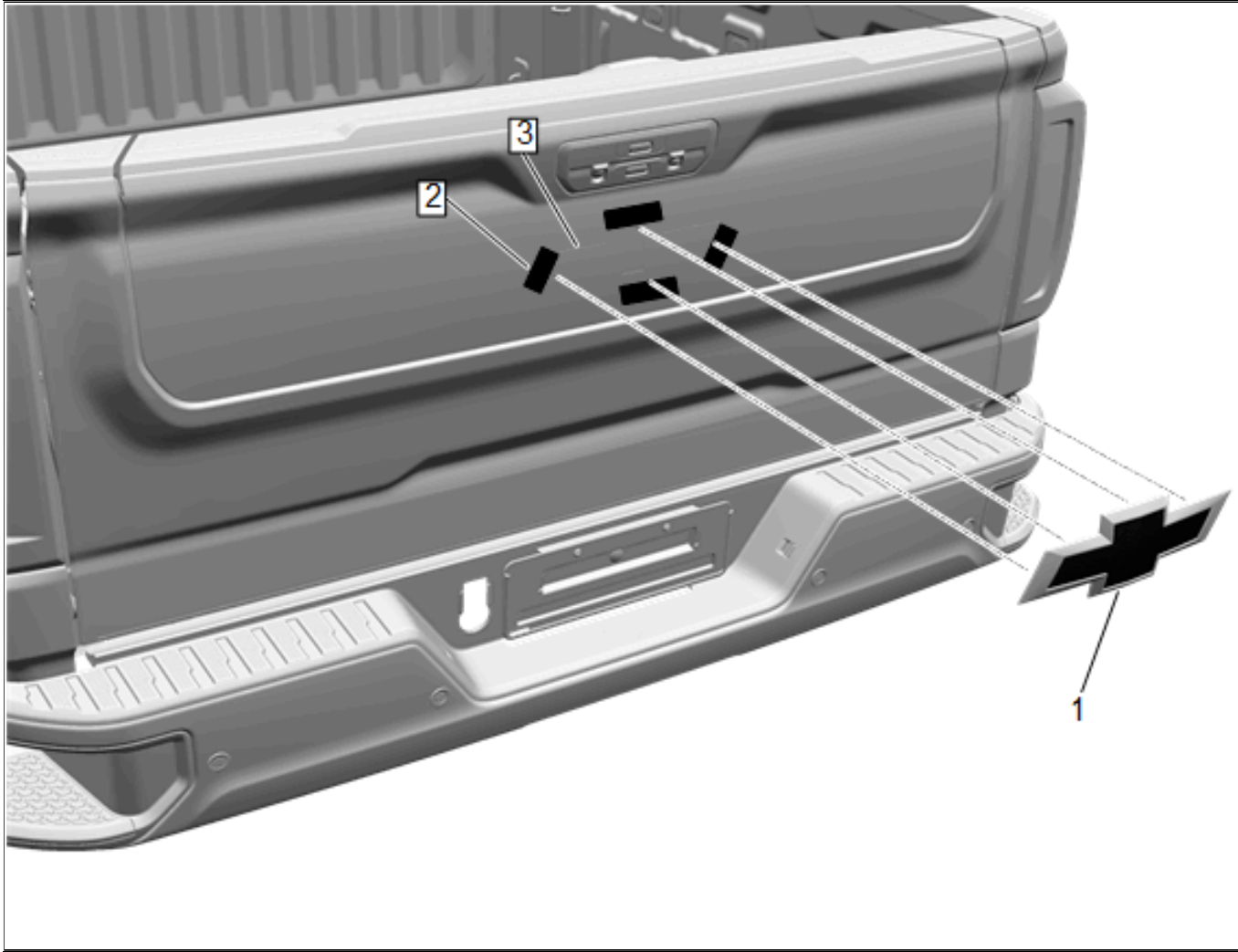
9. Verify that the bowtie emblem (1) is fully seated and securely attached to the grille.

Rear Bow Tie Emblem Replacement

1. Turn off vehicle.



2. Mark the position of the emblem with masking tape (2) prior to removal.
3. Carefully remove the emblem (1) from the painted sheet metal surface (3) using a plastic flat-bladed tool to assist in removal.
4. Clean any remaining residue with a 50/50 mixture by volume of isopropyl alcohol and clean drinkable water. Wipe surface dry with a clean lint-free towel.
5. Installing the new Rear Emblem:
 - 5.1. The part surface should be 21°C (70°F) prior to installation. The vehicle should remain 21°C (70°F) for one hour after assembly to allow adhesive to develop sufficient bond strength.
 - 5.2. When removing protective liners from the adhesive tape, be careful not to touch tape with hands and do not allow tape to come in contact with dirt or any foreign matter prior to adhesion.



- 5.3. Position new black emblem (1) carefully within reference tape marks (2) and place on prepared surface of endgate (3).
- 5.4. Using a roller, apply strong pressure to all areas of the emblem to ensure full adhesion is achieved.
- 5.5. Carefully remove tape (2) used to locate the rear emblem. Clean the endgate surface as needed.