

Document ID: 5133666

Body Emblem Package Installation

Installation Instructions Part Number

84486777

Kit Contents

Qty	Description
2	Emblem (Door) – "COLORADO"
1	Emblem (Endgate) – "COLORADO"
1	Emblem (Endgate) – "LT" (if equipped)
1	Emblem (Endgate) – "ZR2" (if equipped)
1	Emblem (Endgate) – "V6" (if equipped)
2	Alcohol Wipes
1	Installation Instructions

Tools Required

Masking Tape

Rubber Roller

Scissors

Plastic Flat-Bladed Tool

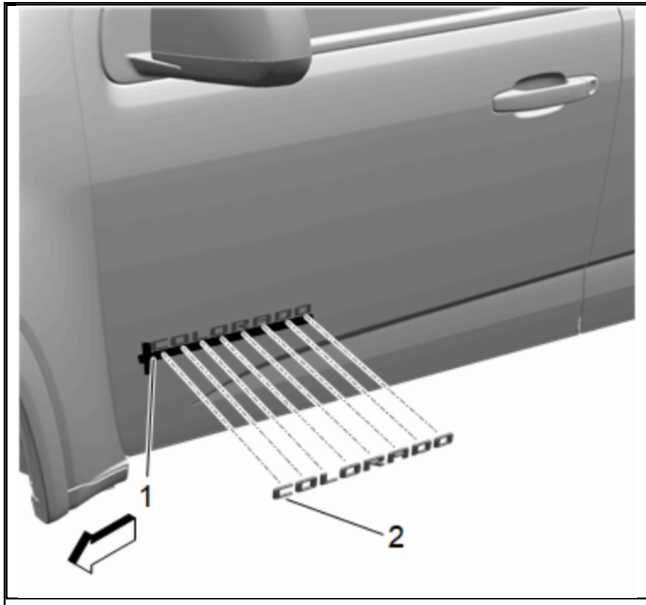
Before you start

Note: For the nameplate to adhere best, the vehicle's mating surface (doors, rear compartment, etc.) should be free of damage (dents, scratches, creases, fractures, etc.).

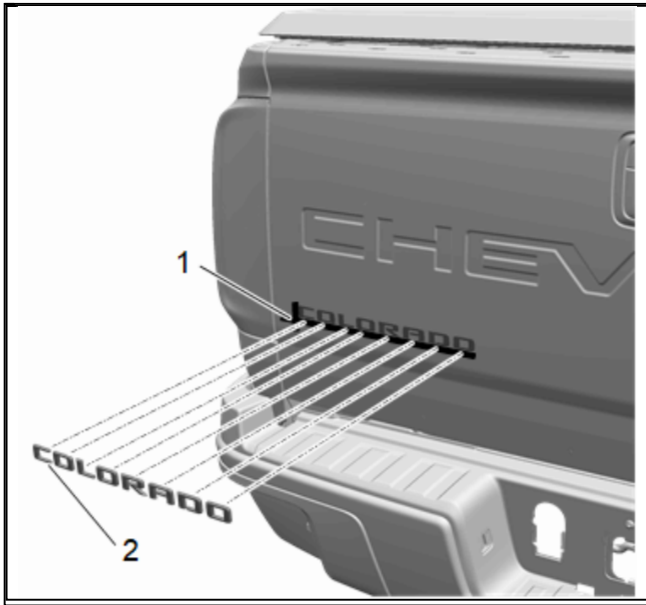
Caution: Use a plastic, flat-bladed tool to prevent paint damage when removing an emblem/name plate.

1. The part and surface should be 21°C (70°F) prior to installation. The vehicle should remain 21°C (70°F) for one hour after assembly to allow adhesive to develop sufficient bond strength.
2. Wash the vehicle mating surfaces (Door or Endgate) with a non-petroleum based cleaning product. If a stronger cleaner is required to remove any contaminants, use 3M® general purpose Adhesive Cleaner (P/N 08984). Then, thoroughly dry with a soft clean cloth.

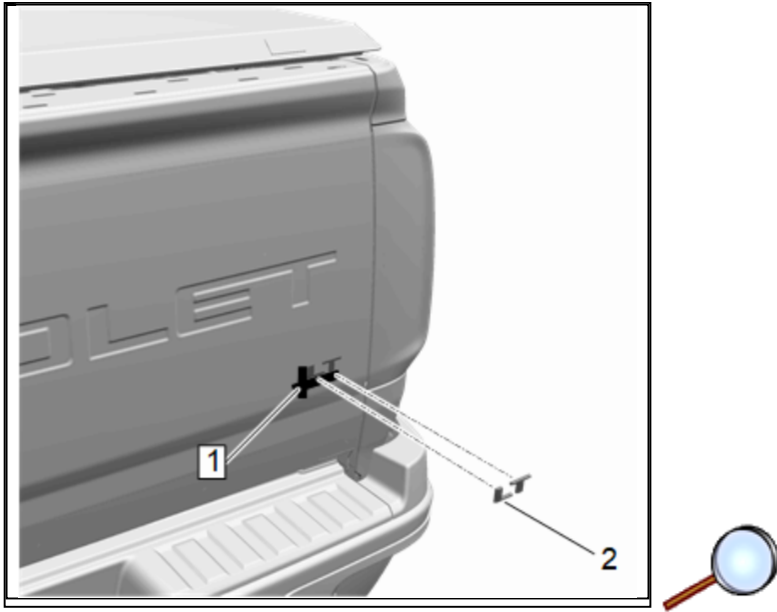
Door Emblem (Colorado)



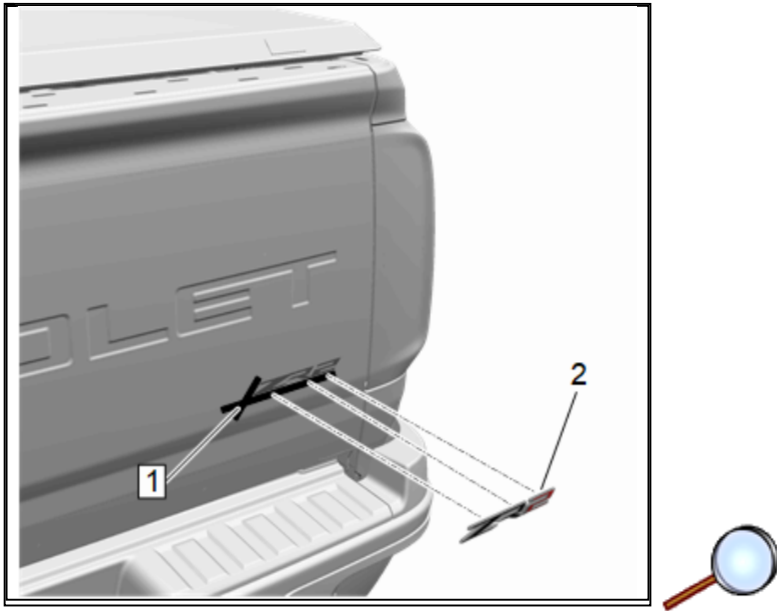
Endgate Emblem (Colorado)



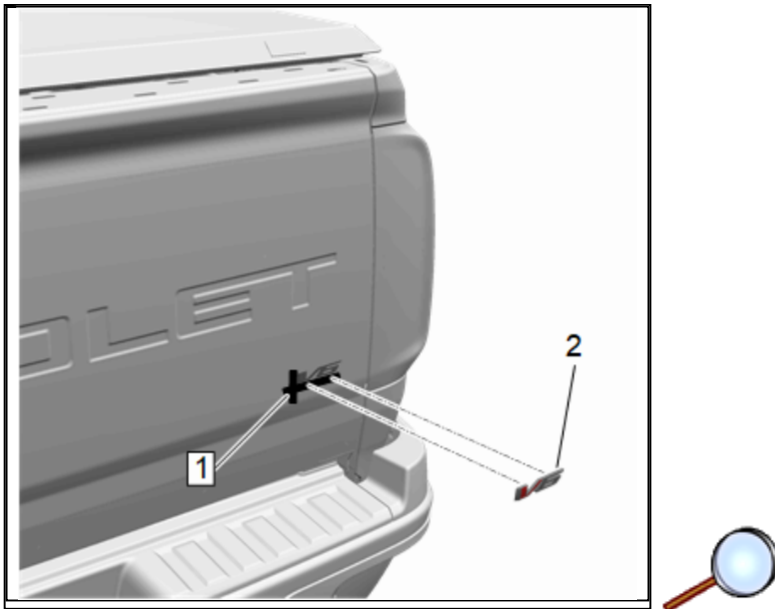
Endgate Emblem (LT)



Endgate Emblem (ZR2)



Endgate Emblem (V6)



Procedure

Caution: Only install black nameplates as a direct replacement of the existing vehicle content.

1. Apply masking tape (1) around existing nameplates to be replaced. Tape the left side and the bottom edge of the existing nameplate. This will be the locating feature for the new accessory nameplate.
2. Use a plastic flat-bladed tool to remove the chrome nameplate.
3. Using one of the supplied alcohol wipes, wipe the area where the nameplate will be installed. Wipe surface dry with a clean lint-free towel.
4. Take one of the nameplates (2) and peel the protective liner from the adhesive backing. Be careful not to touch the tape with hands and do not allow tape to come in contact with dirt or any foreign matter prior to adhesion.
5. **IMPORTANT:** The adhesive will bond quickly to the paint. In the event that the nameplate should be mis-aligned after installation, do not attempt to remove the nameplate as this will cause paint damage. To avoid mis-alignment, do not drop the nameplate into place. Instead, first align the bottom edge of the emblem lettering to the masking tape. Then, toggle the nameplate into place.
6. Using the palm of the hand or an applicable roller with approximately 10 lbs of pressure, wet out the emblem/name plate to the mating surface to ensure full adhesion of the nameplate is made.
7. Repeat the same procedure for the remaining nameplates.