

Rear Closure Center Applique Kit Installation (Instruction ID: 84521634)

Installation Instructions Part Number

84521634

Kit Contents

Qty	Description
1	Rear Closure Center Applique Insert
10	Liftgate Side Sensor Retainers
1	Installation Instructions

Tools Required

Flat Bladed Plastic Trim Tool

Procedure

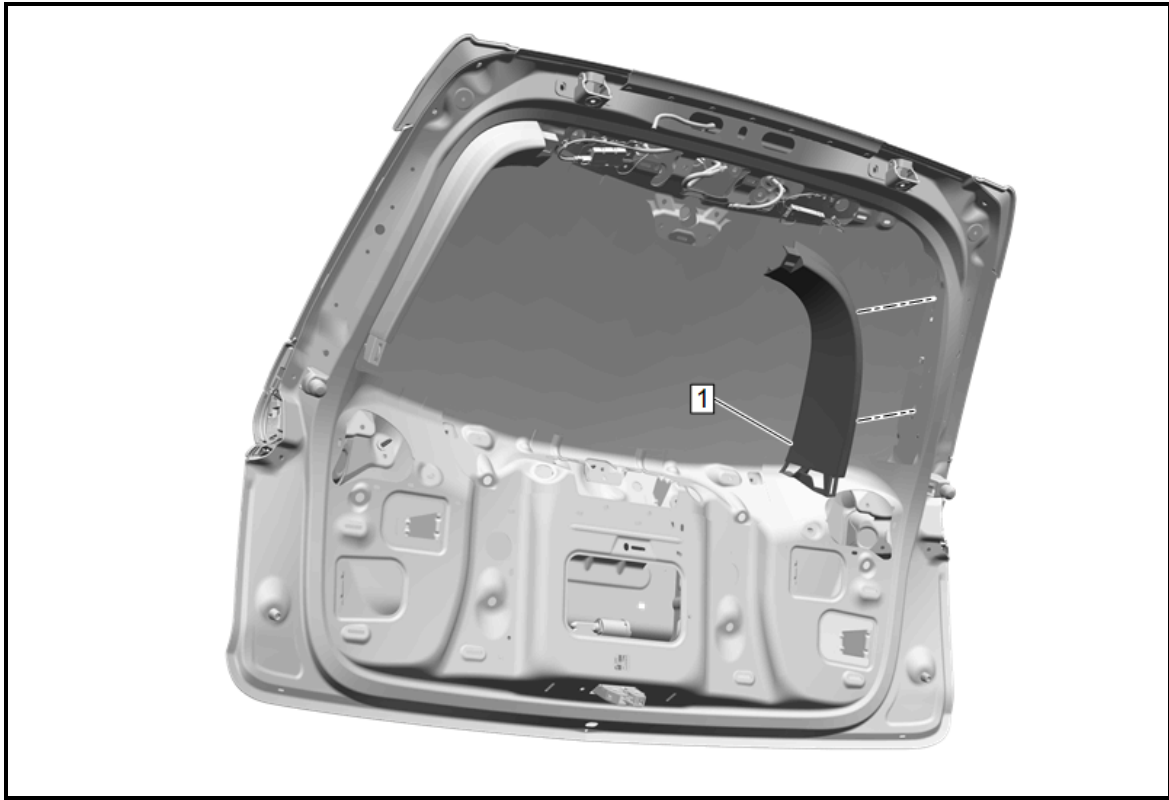
Removal



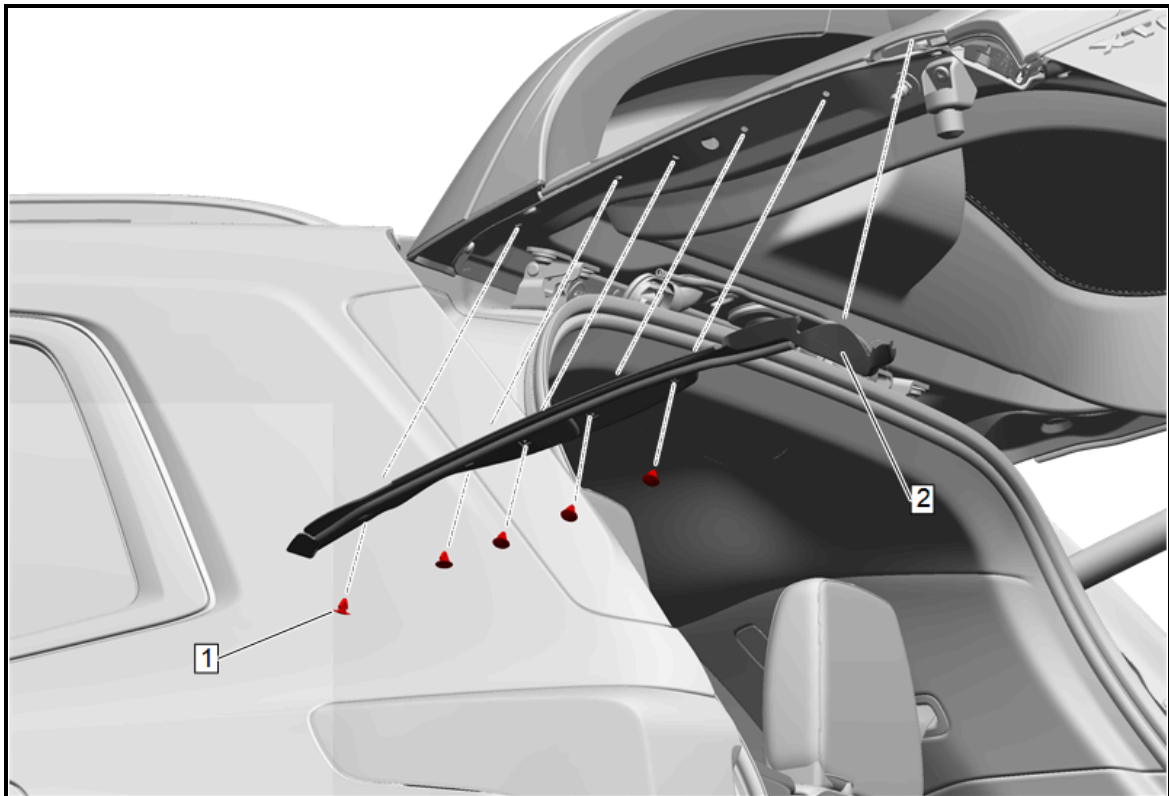
1. Using a flat bladed plastic trim tool, disengage the clips at the rear portion of the liftgate trim finish panel and then pull from the trim near the hatch glass to avoid twisting or breaking the retainers near the glass.
2. Disconnect the electrical connectors and remove the liftgate trim finish panel (1) from the liftgate.



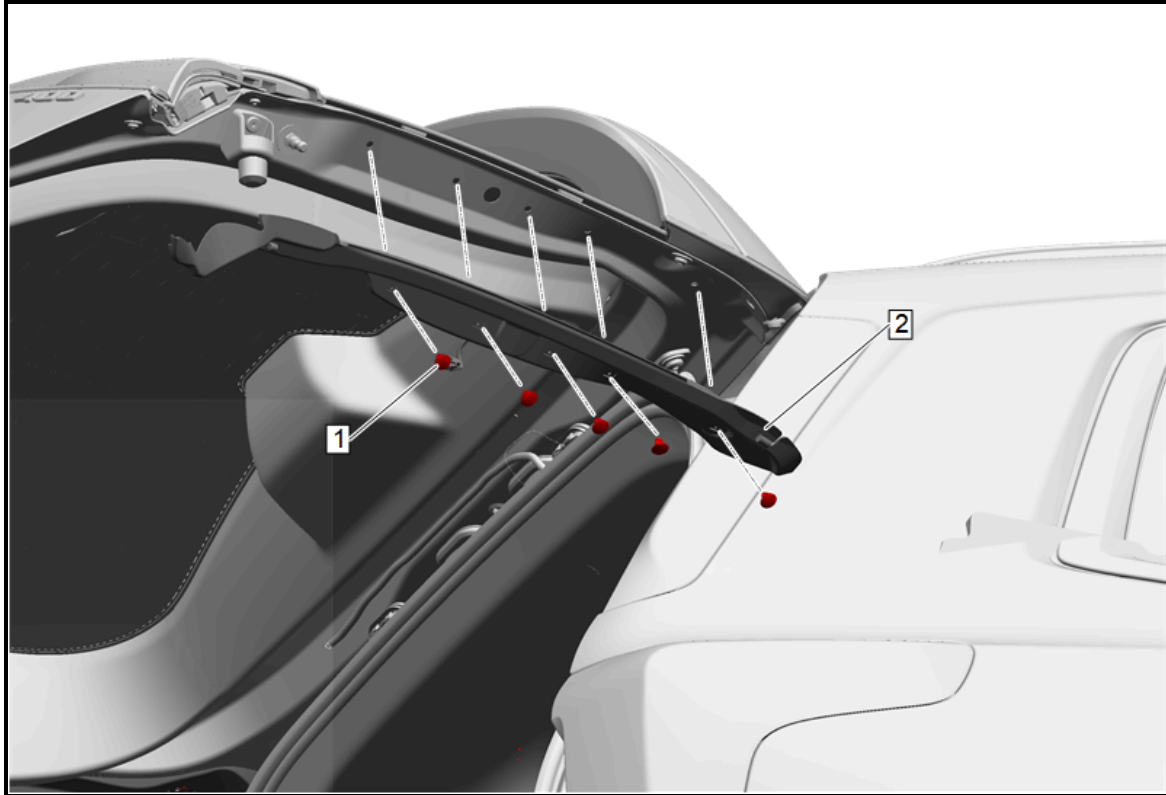
3. Using a flat bladed plastic trim tool, release the liftgate upper center trim finish panel (1) from the liftgate inner panel.



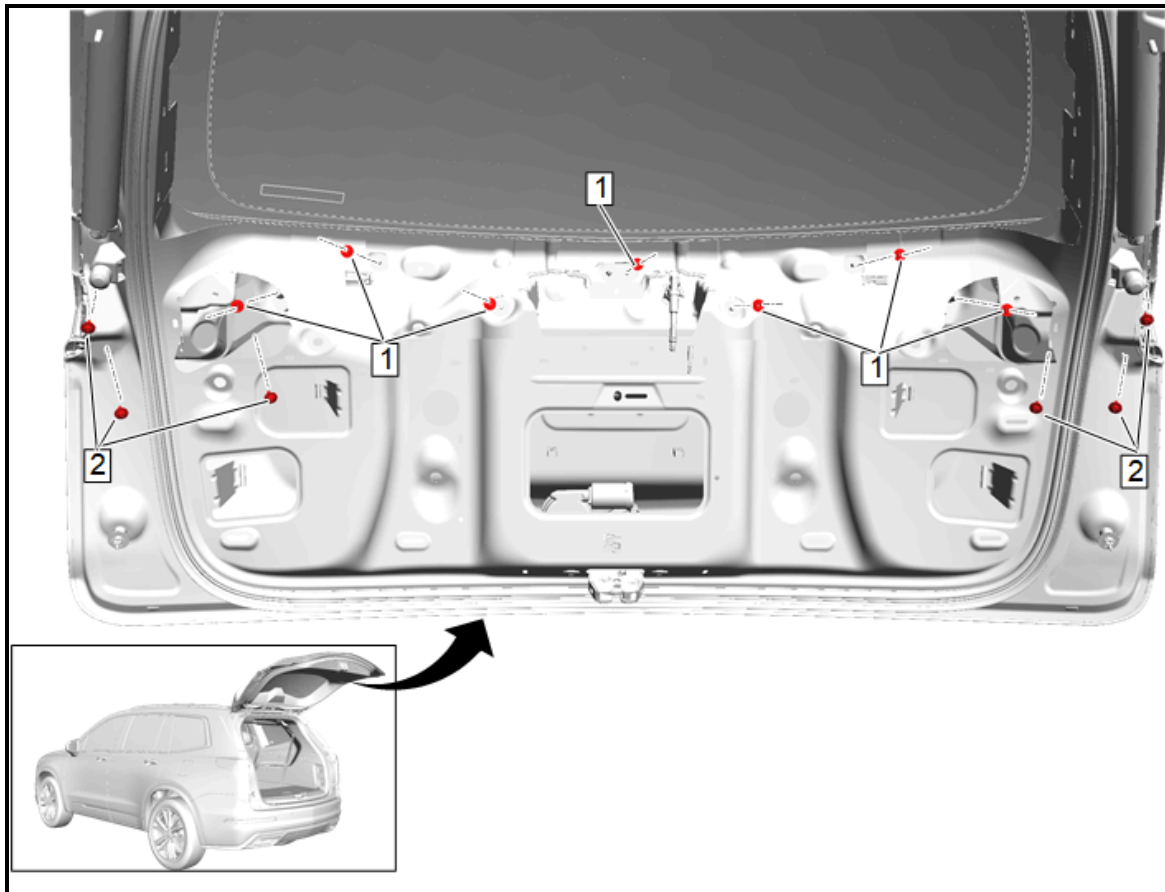
4. Using a flat bladed plastic trim tool, remove the liftgate upper side trim finish panel (1) from the liftgate. Repeat for opposite side.



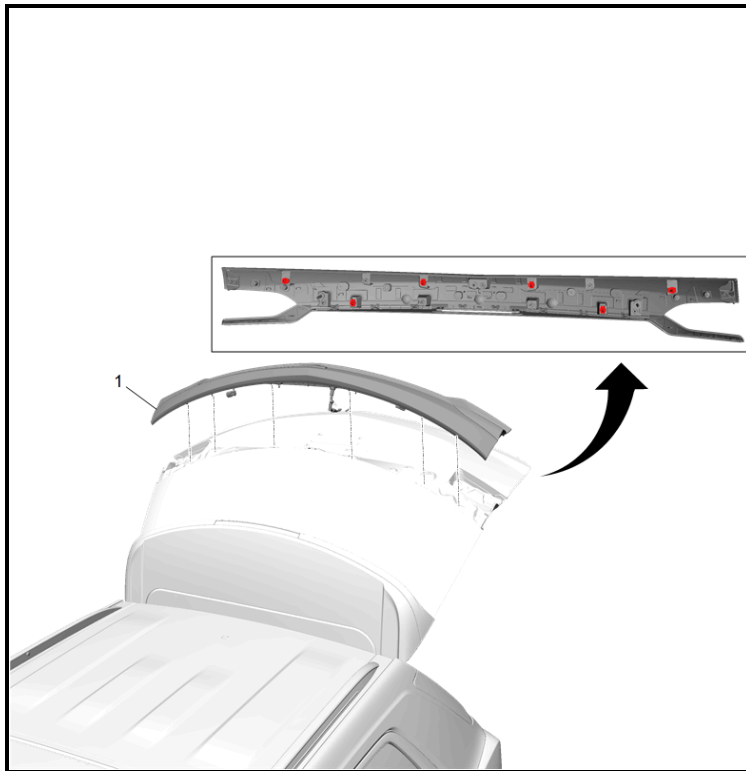
- Using a flat bladed plastic trim tool, disengage the retainers (1), disconnect electrical connector and remove the left liftgate side sensor (2) from the liftgate. Discard retainers.



- Using a flat bladed plastic trim tool, disengage the retainers (1), disconnect electrical connector and remove the right liftgate side sensor (2) from the liftgate. Discard retainers.

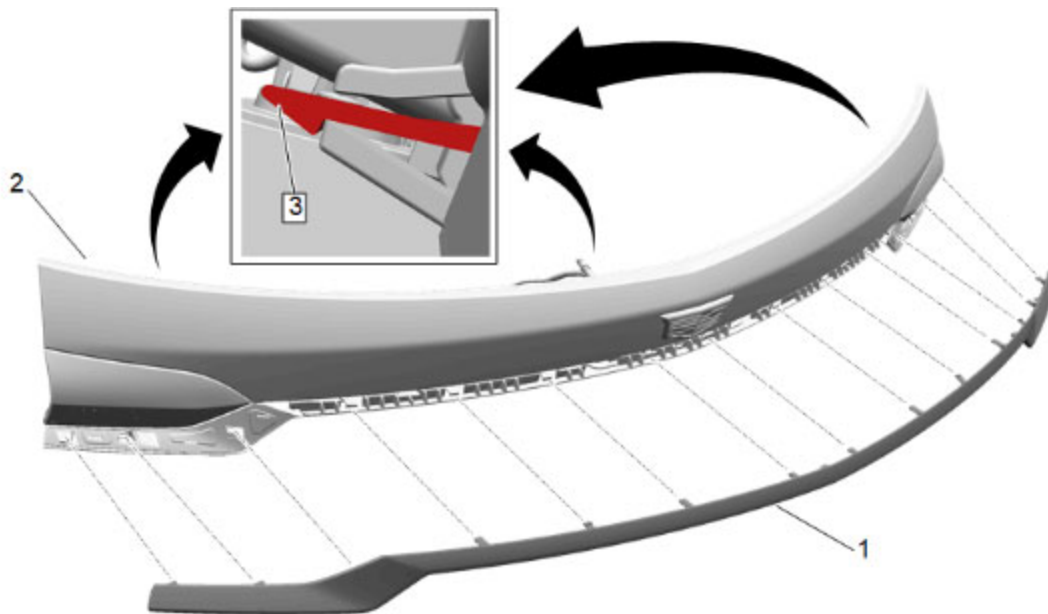


7. Rear Closure Center Applique Nut (1) » Remove [7x]
8. Rear Closure Center Applique Bolt (2) » Remove [6x]
9. Disconnect the electrical connectors.
10. The rear camera needs to be removed to access the center points. Refer to [Rearview Driver Information Camera Replacement](#) in the vehicle service manual.



11. Release the retainers.

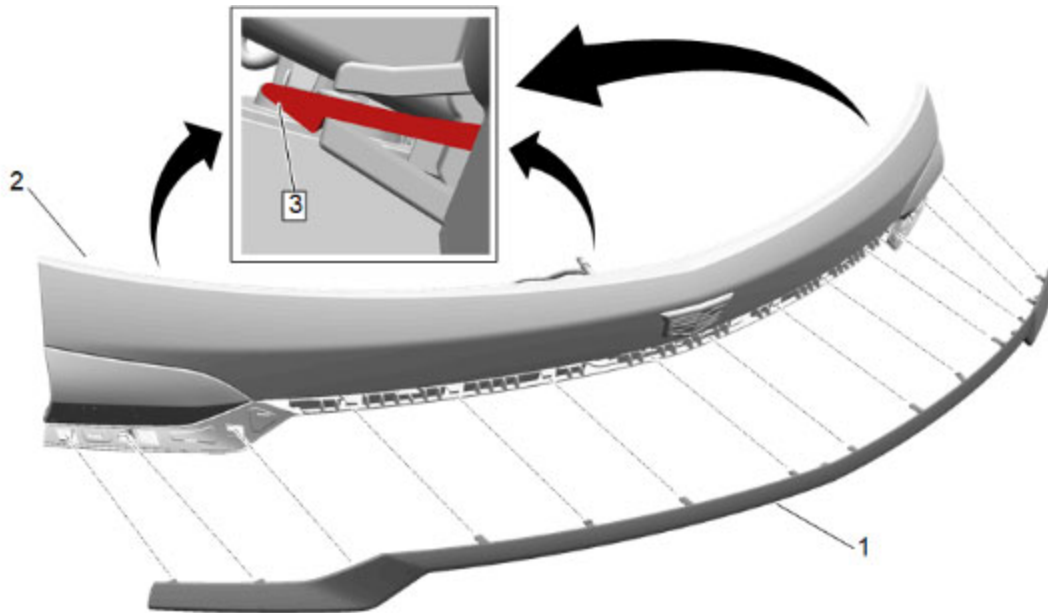
12. With the help of an assistant, remove the rear closure center applique (1).



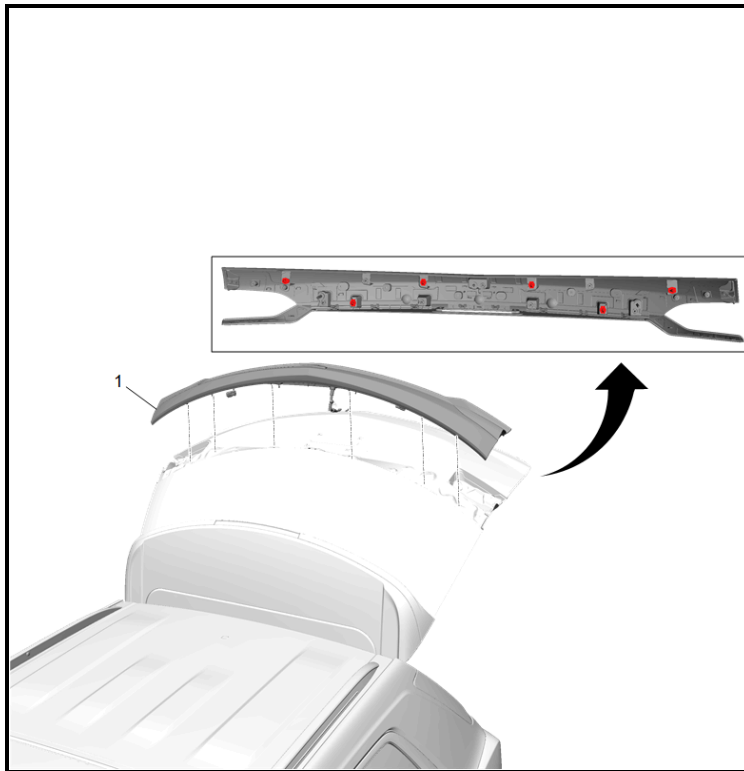
13. Starting from the outer ends working inward with a flat bladed plastic trim tool, carefully disengage the retainers (3) on the rear closure center applique insert (1).

14. Remove rear closure center applique insert (1) from the rear closure center applique (2).

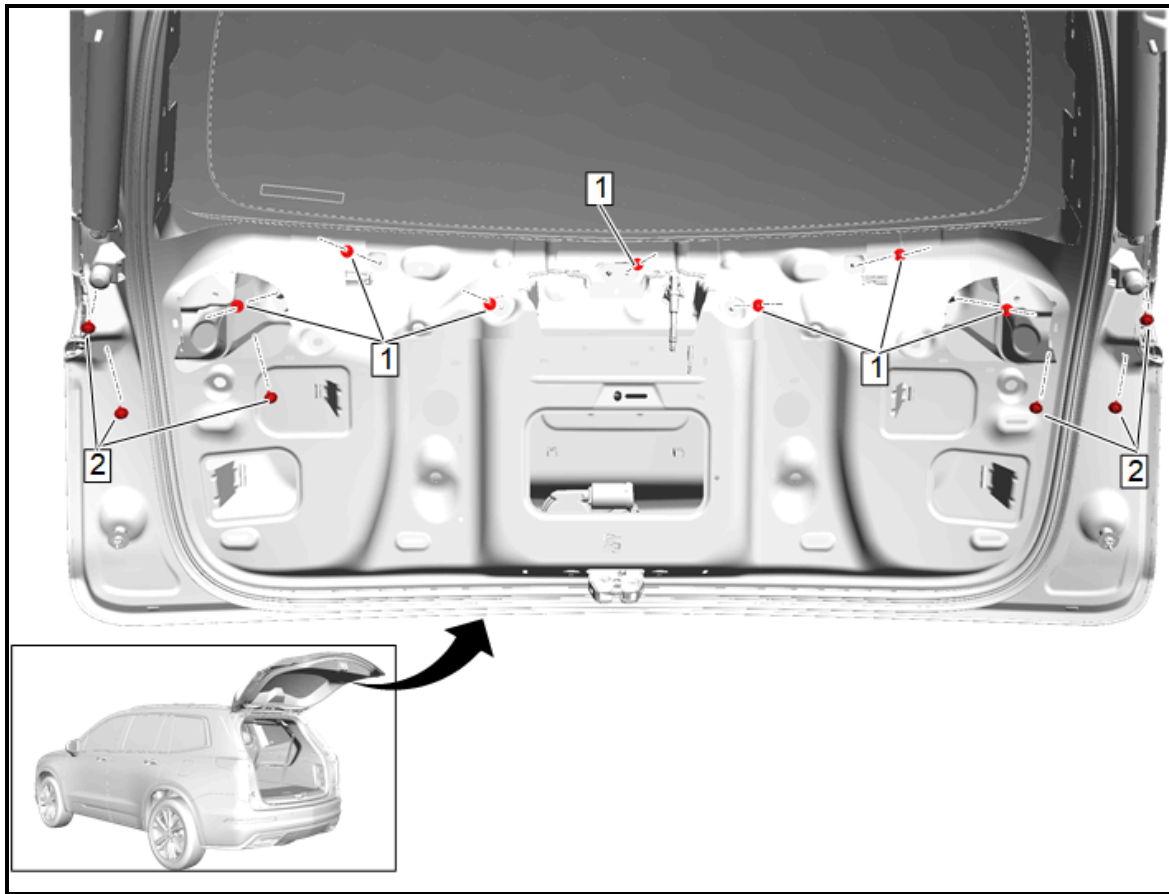
Installation



1. Position the accessory rear closure center applique insert (1) to the rear closure center applique (2).
2. Starting from the center working outward, engage the retainers (3) on the rear closure center applique insert (1).
3. Install the rear camera. Refer to [Rearview Driver Information Camera Replacement](#) in the vehicle service manual.

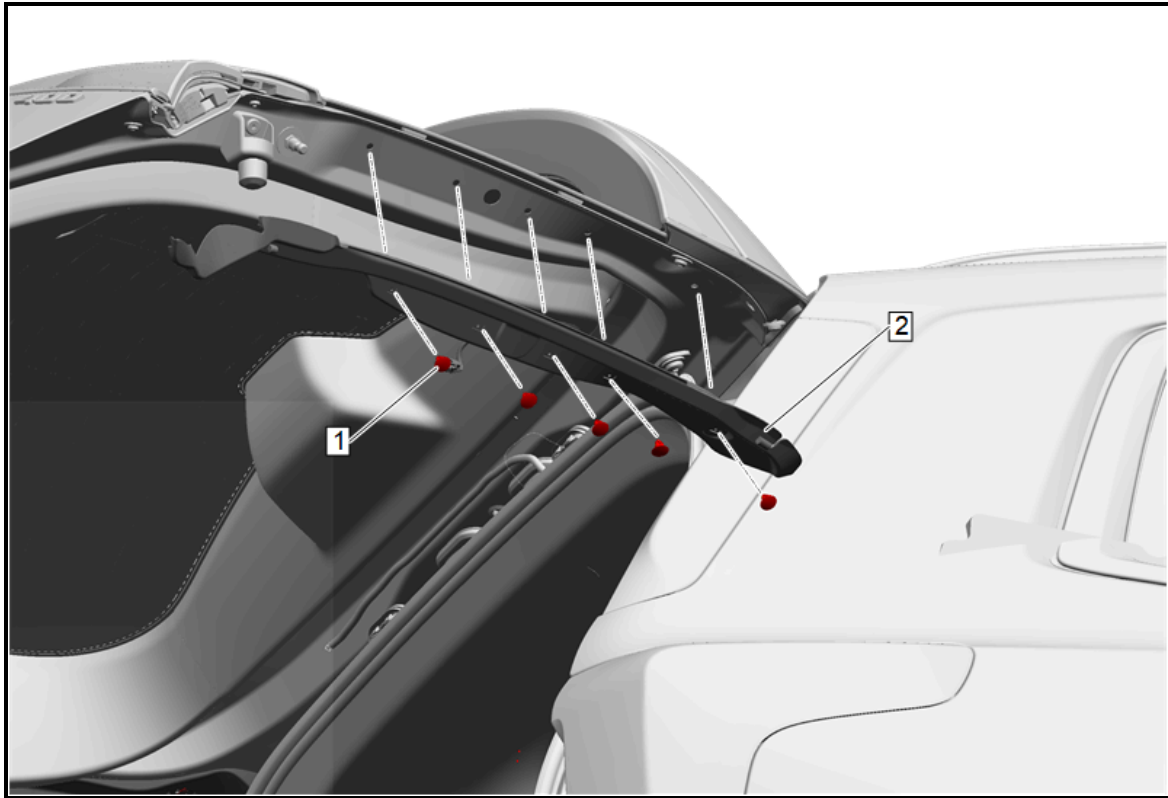


4. Rear Closure Center Appliance (1) » Install
5. Connect the electrical connectors.



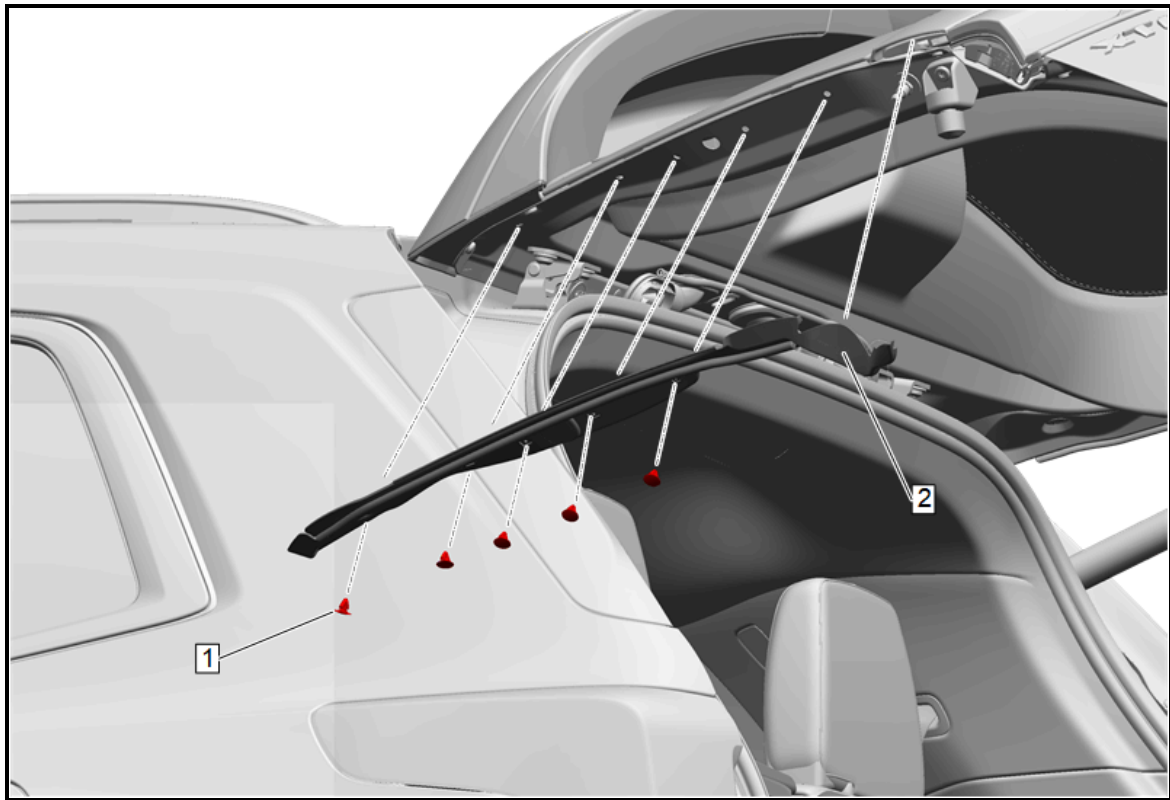
Caution: Refer to [Fastener Caution](#).

6. Rear Closure Center Applique Bolt (2) » Install and tighten [6x] **4.7 Y (42 lb in)**
7. Rear Closure Center Applique Nut (1) » Install and tighten [7x] **4.7 Y (42 lb in)**



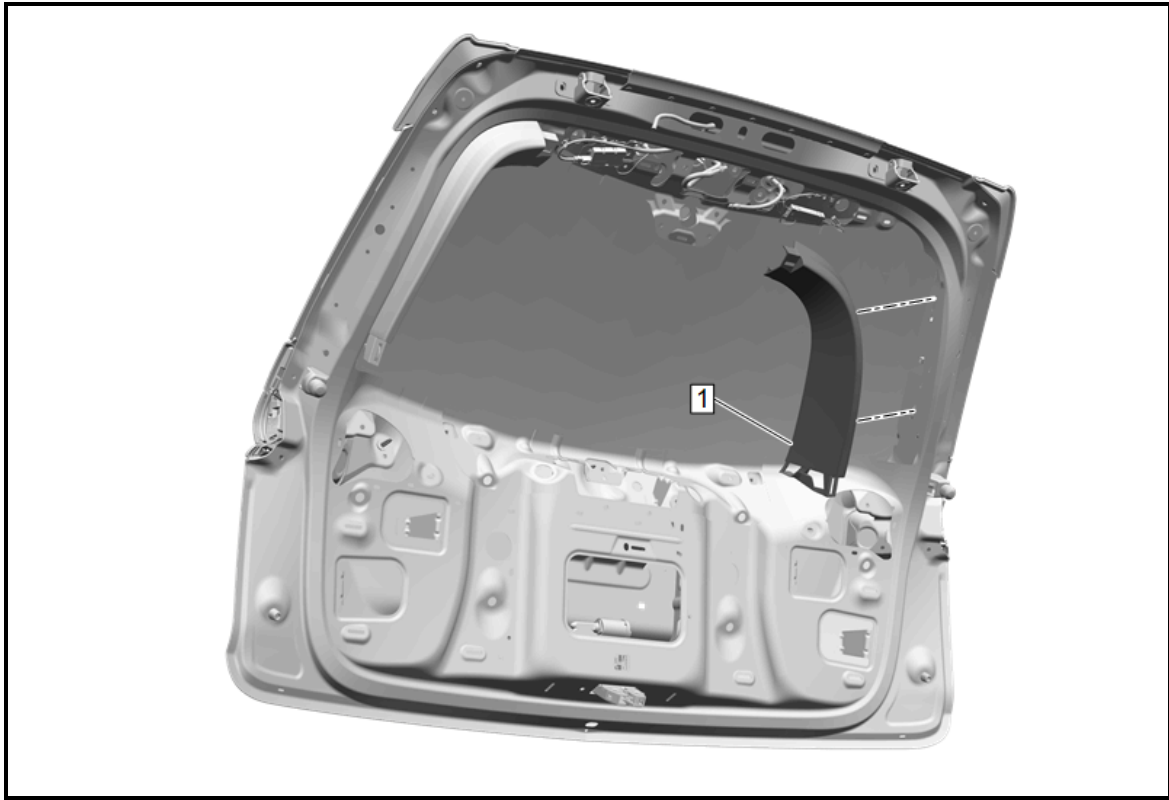
Note: Install NEW retainers supplied in kit. Do NOT reuse old retainers.

8. Position the right liftgate side sensor (2) to the liftgate, connect electrical connector and engage the retainers (1).



Note: Install NEW retainers supplied in kit. Do NOT reuse old retainers.

9. Position the left liftgate side sensor (2) to the liftgate, connect electrical connector and engage the retainers (1).



10. Install the liftgate upper side trim finish panel (1) to the liftgate, engage the retainers. Repeat for opposite side.



11. Install the liftgate upper center trim finish panel (1) to the liftgate inner panel , engage the retainers.



12. Position the liftgate trim finish panel (1) to the liftgate and connect the electrical connectors, engage the clips.