

Body Emblem Package Installation

Installation Instructions Part Number

84563054

Kit Contents

Qty	Description
1	Emblem Assembly Black Bow Tie – Front Grille
1	Emblem Assembly Black Bow tie – Rear Compartment
1	Installation Instructions

Required / Recommended Tools

Plastic flat-bladed tool

Isopropyl Alcohol

Lint Free Cloth

Before you start

Note: For the nameplate to adhere best, the vehicle's mating surface (doors, rear compartment, etc.) should be free of damage (dents, scratches, creases, fractures, etc.).

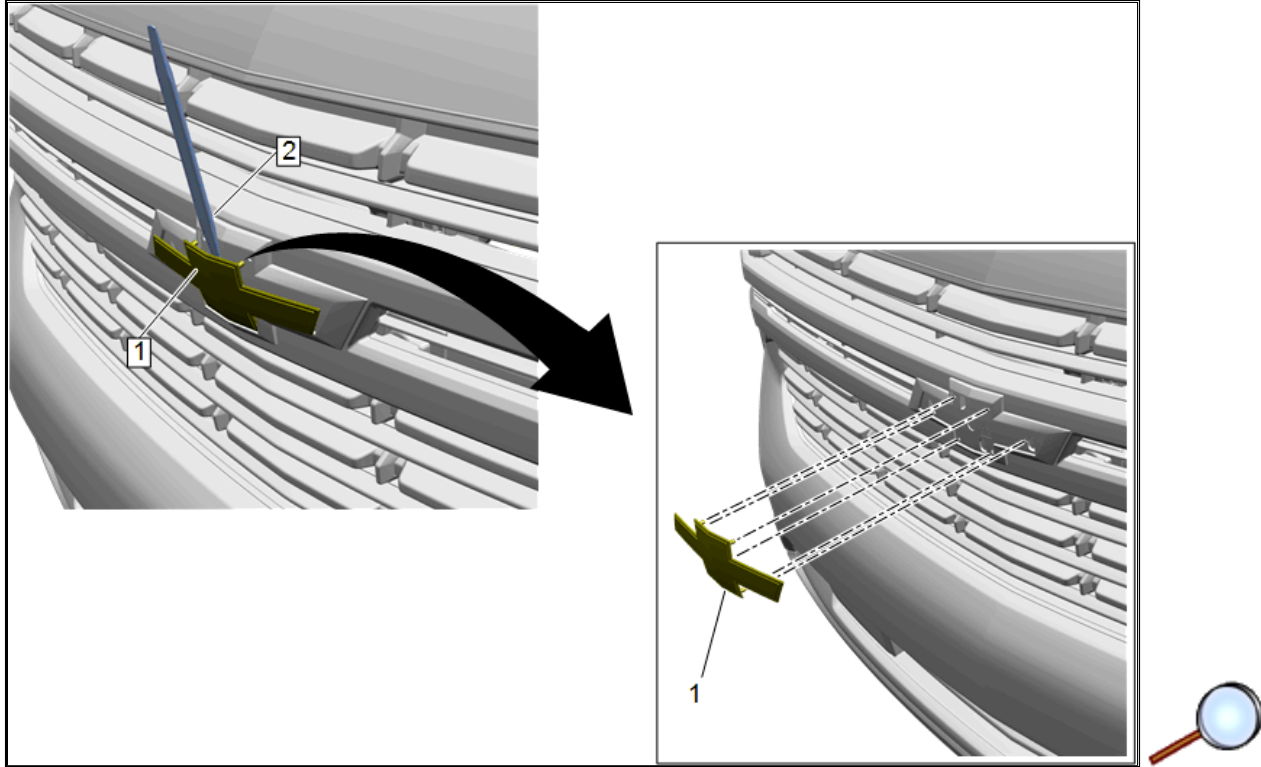
Caution: Do not use heat gun/hair dryer or apply excessive heat to the emblem/nameplate as this may damage the paint and surrounding panel surfaces during removal.

Caution: Use a plastic, flat-bladed tool to prevent paint damage when removing an emblem/nameplate. Do not use fishing line to remove nameplate as this may worsen the tape residue cleaning process. Use Isopropyl Alcohol and Lint Free Cloth to remove tape residue. Heavy foam/adhesive residue remaining on the painted surface can be removed using 3M's Scotch-Brite™ Molding Adhesive and Stripe Removal 4-inch Foam Disc.

Caution: Only install nameplates as a direct replacement of the existing vehicle content.

Procedure

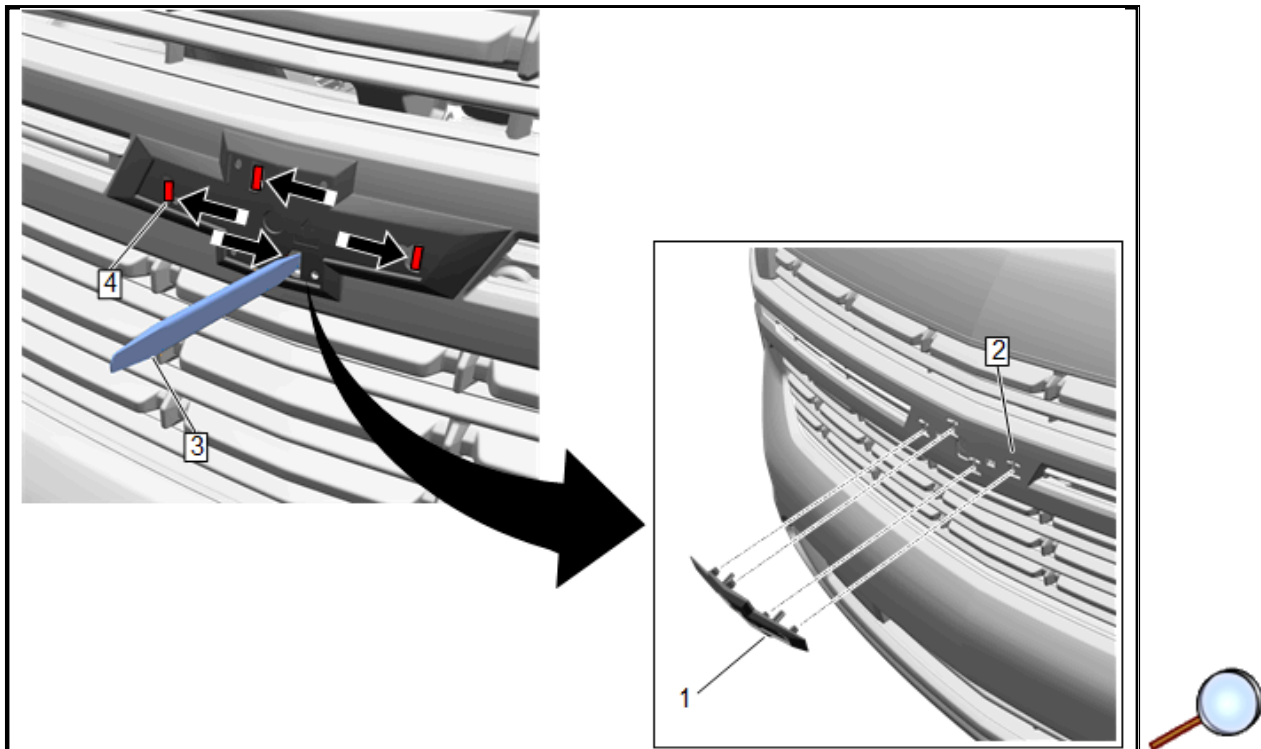
- 1. Front Bow Tie Emblem Replacement.** Read all instructions before performing procedure.
2. Inspect kit to verify all parts are included.
3. Turn off the vehicle.
4. Open the hood.



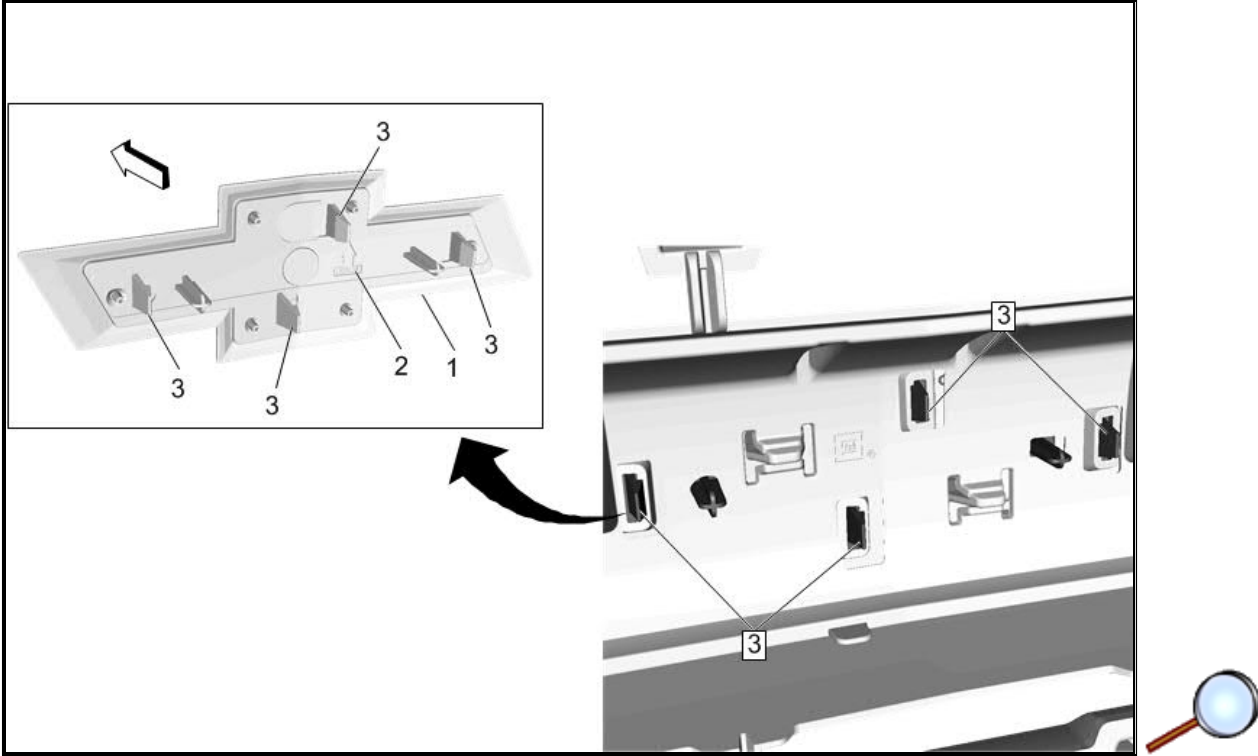
Note: Exterior temperature of vehicle should be between 21°C – 43°C (70°F – 110°F) prior to removing grille bowtie emblem and insert. Any temperatures below the recommended could result in broken retaining tabs on grille.

Note: Bowtie emblem insert will be damaged and not suitable for re-use.

5. Using a suitable flat-bladed tool (2), carefully remove the bowtie emblem insert (1) from bowtie emblem housing.

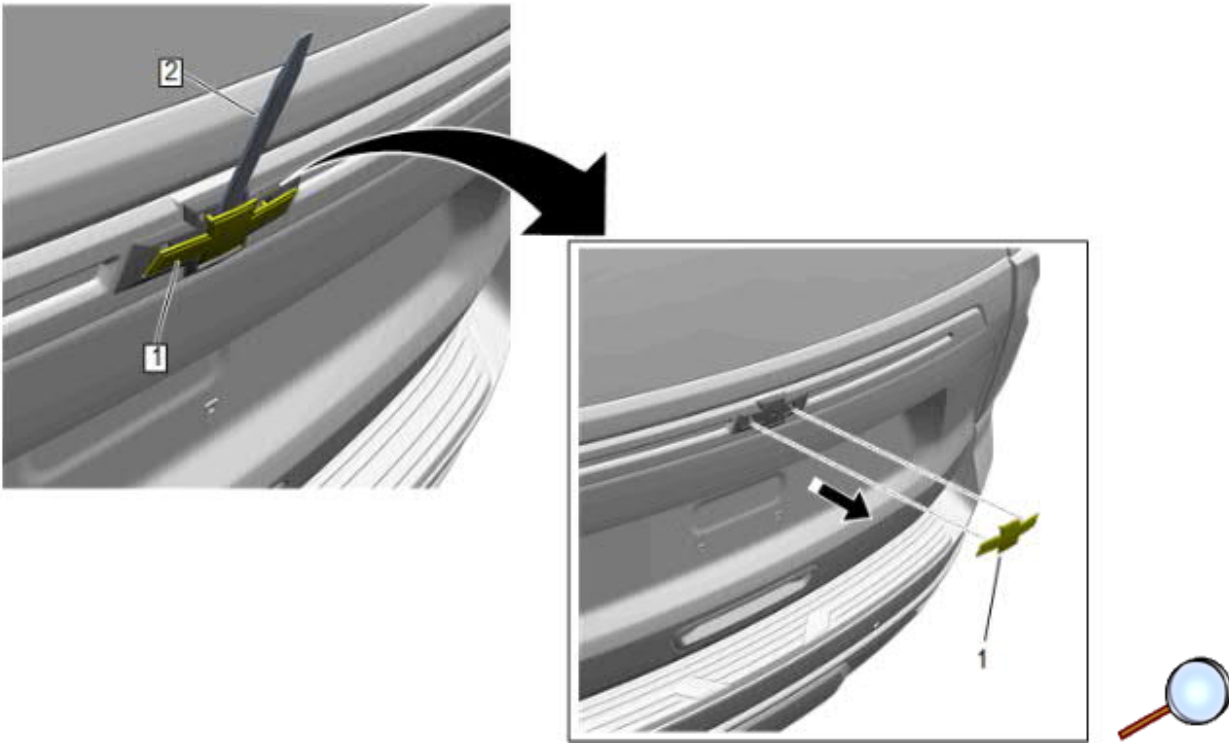


6. Using a suitable flat bladed tool (3), carefully release the retention clips in each slot (4) according to direction of arrow and remove bowtie emblem housing (1) from grille (2). **Be careful to avoid damage to the retaining tabs in the grille (2),** as this may result in loose fit of the new bowtie emblem.



7. Accurately position the new bowtie emblem (1) using the molded "UP" symbol (2) and locating pins.
8. Install the new bowtie emblem, applying enough evenly distributed pressure to engage the retention tabs (3).
9. Verify that the bowtie emblem is fully seated and securely attached to the grille.

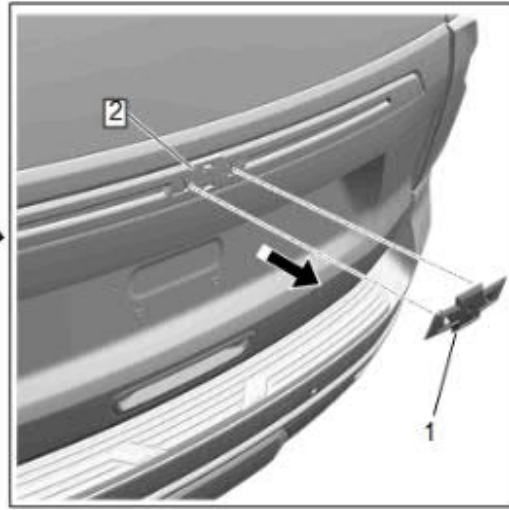
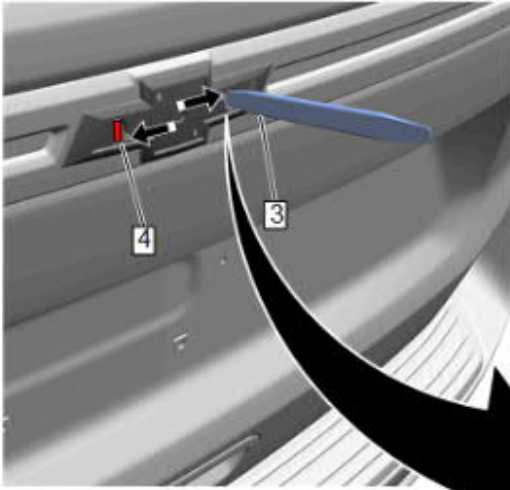
Rear Bow Tie Emblem Replacement



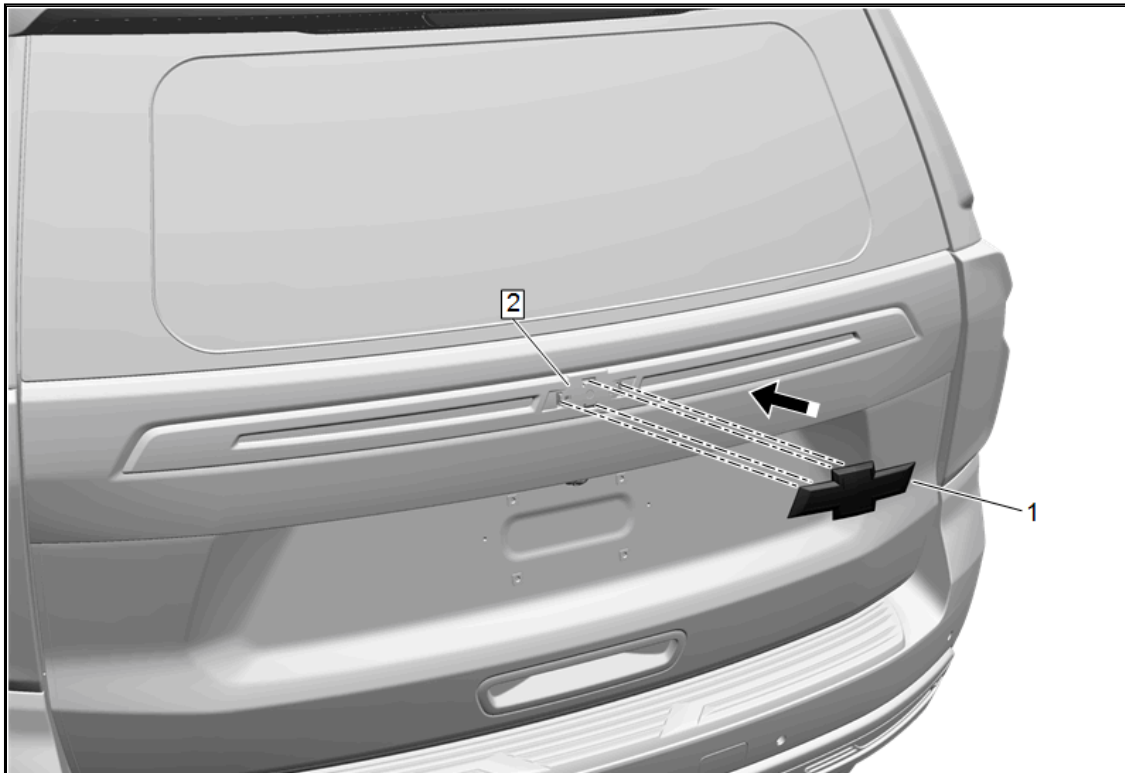
Note: Exterior temperature of vehicle should be between 21°C – 43°C (70°F – 110°F) prior to removing grille bowtie emblem and insert. Any temperatures below the recommended could result in broken retaining tabs on liftgate applique.

Note: Bowtie emblem insert will be damaged and not suitable for re-use.

1. Using a suitable flat-bladed tool (2), carefully remove the bowtie emblem insert (1) from bowtie emblem housing.



2. Using a suitable flat bladed tool (3), carefully release the retention clips in each slot (4) according to direction of arrow and remove bowtie emblem housing (1) from liftgate applique (2). **Be careful to avoid damage to the retaining tabs in the applique (2)**, as this may result in loose fit of the new bowtie emblem.
3. Clean and prep surface completely using an Isopropyl Alcohol Solution with a lint free cloth and allow to dry completely before installation.



4. Position new black emblem (1) to the liftgate applique (2) making sure the retaining tabs are engaged.