

Mobile Telephone Cradle Package Installation (Instruction ID: 84566363)

Installation Instructions Part Number

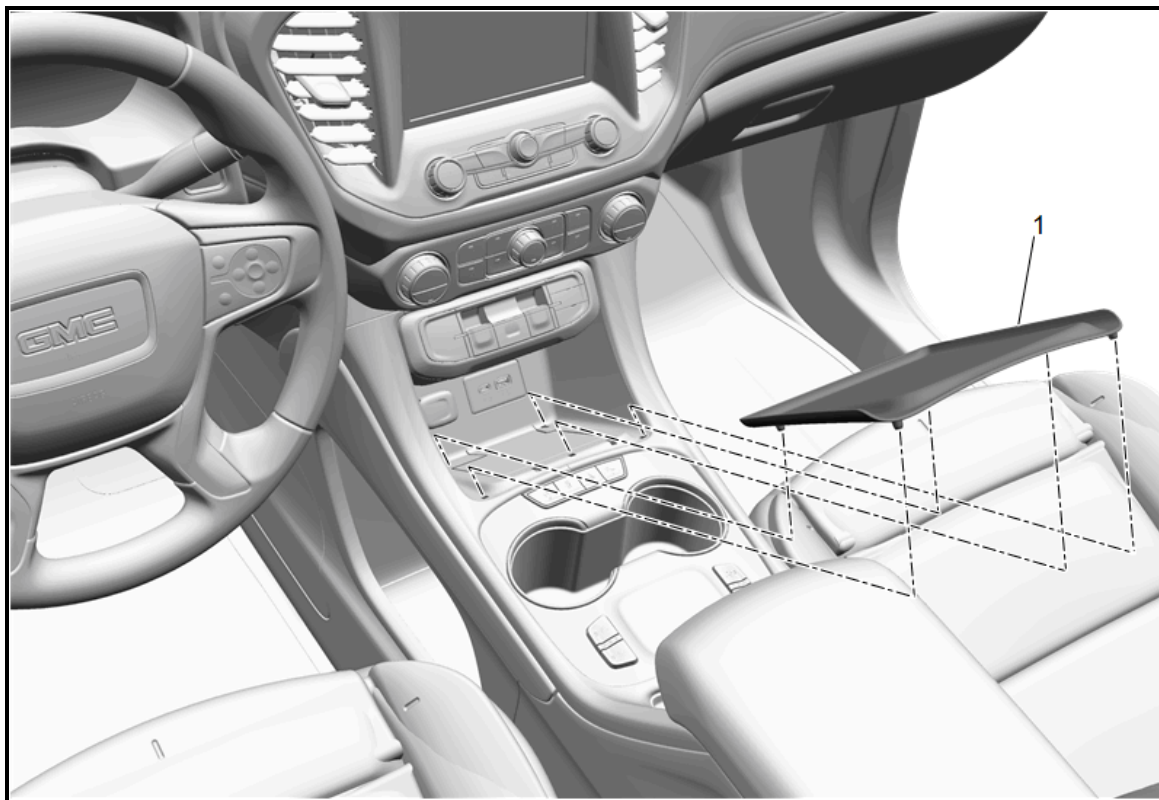
84566363

Kit Contents

Qty	Description
1	Module
4	Module Bolt
1	Module Bracket
1	Push Nut
1	Module Liner
1	Harness Package
1	Duct Assembly #1
1	Bolt (Duct Assembly #1)
1	Push Pin (Duct Assembly #1)
1	Duct Assembly #2 With Gasket
1	Bolt (Duct Assembly #2)
1	Installation Instructions

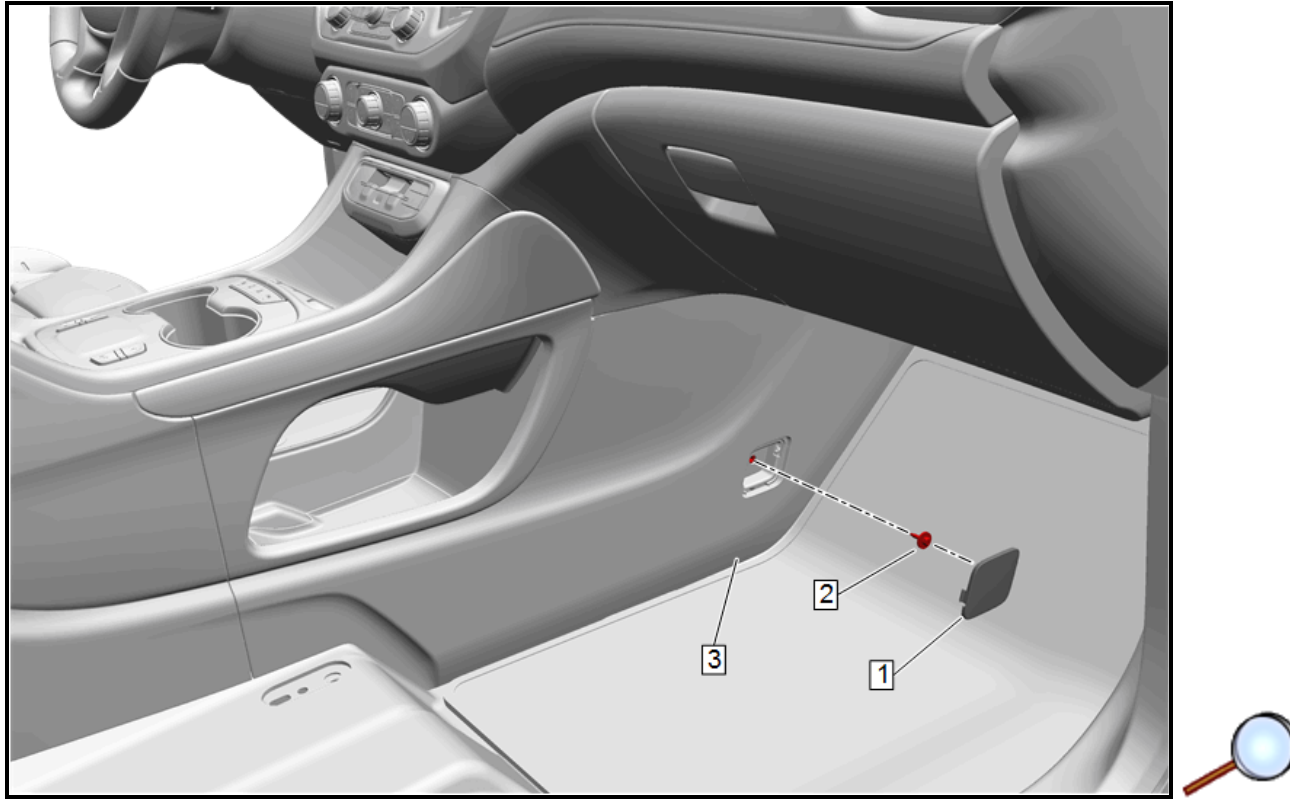
Procedure

© 2024 General Motors. All rights reserved.

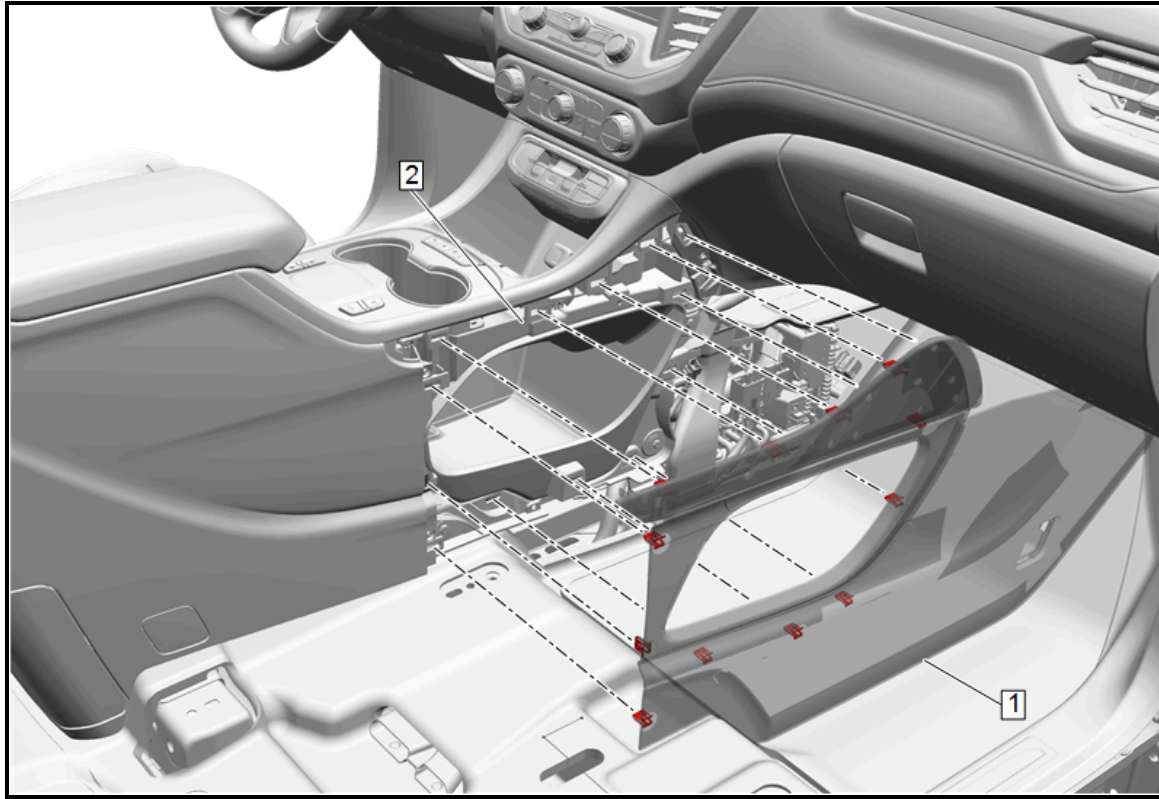


1. Lift up and remove the front floor console bin liner (1).

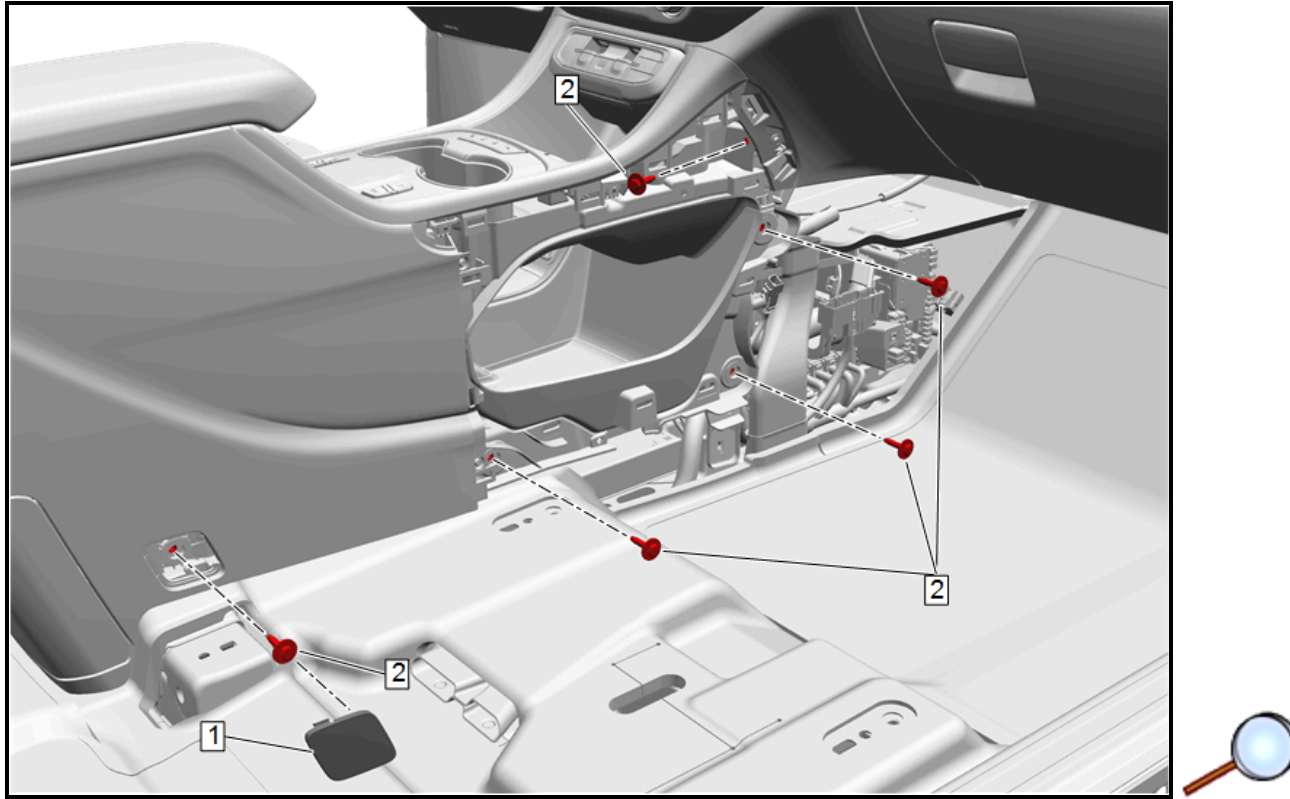
Note: Liner will not be reused, it will be replaced by new liner in kit.



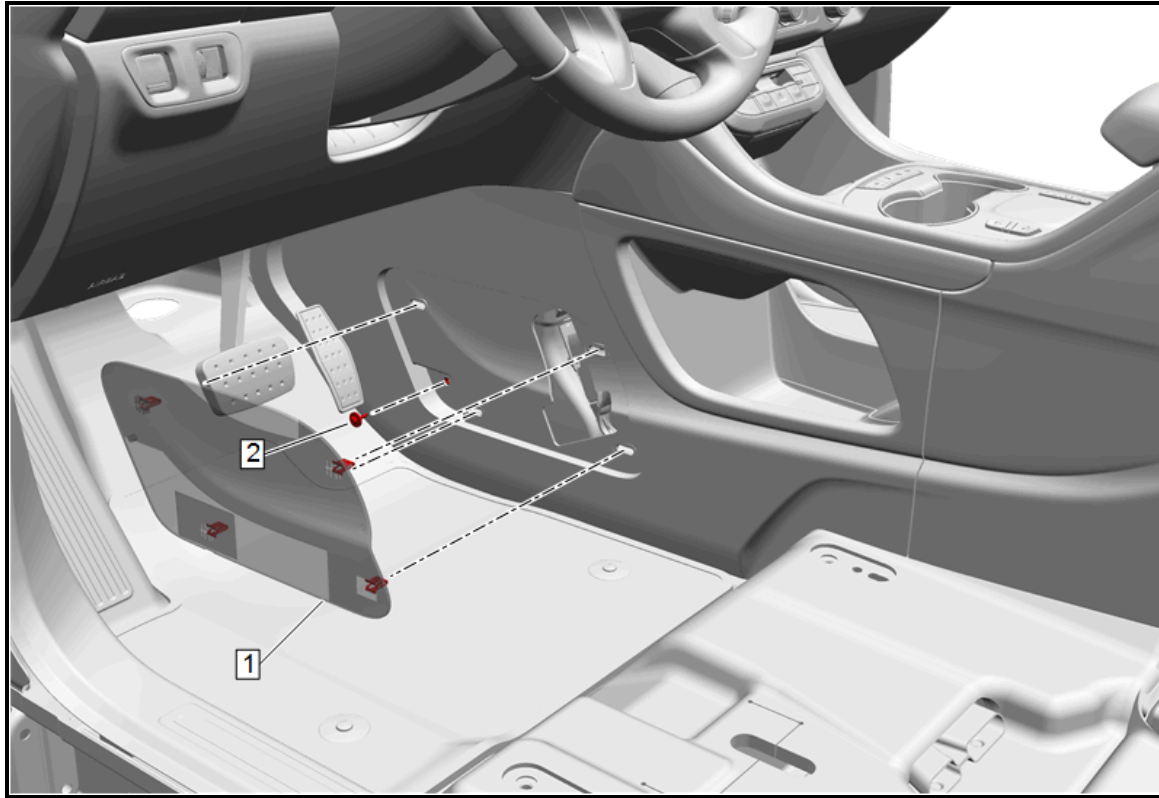
2. Using a flat-bladed plastic trim tool, remove the right front floor console bolt access hole cover (1).
3. Remove and retain the right front floor console extension bolt (2) from extension panel (3).
4. Position the right front seat in order to access the front floor console extension panel retainers.



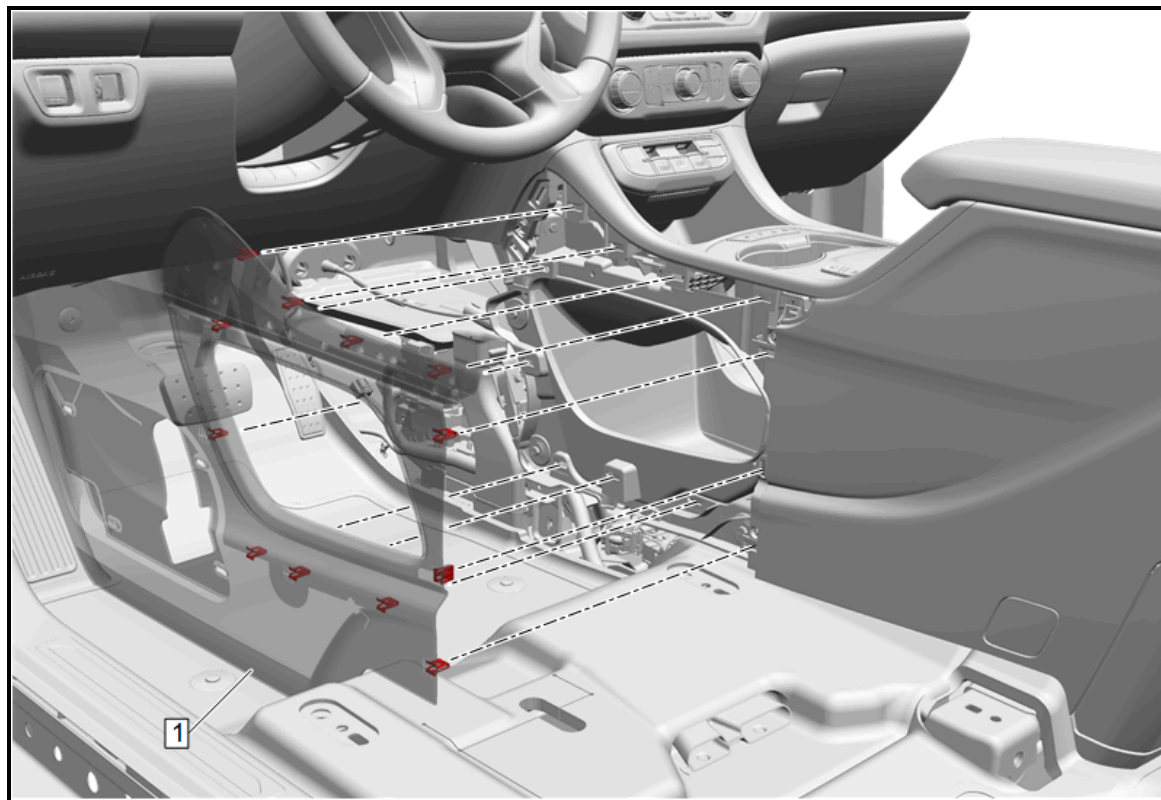
5. Using a flat-bladed plastic trim tool, disengage the retainers and remove the right front floor console extension panel (1) from the console (2).



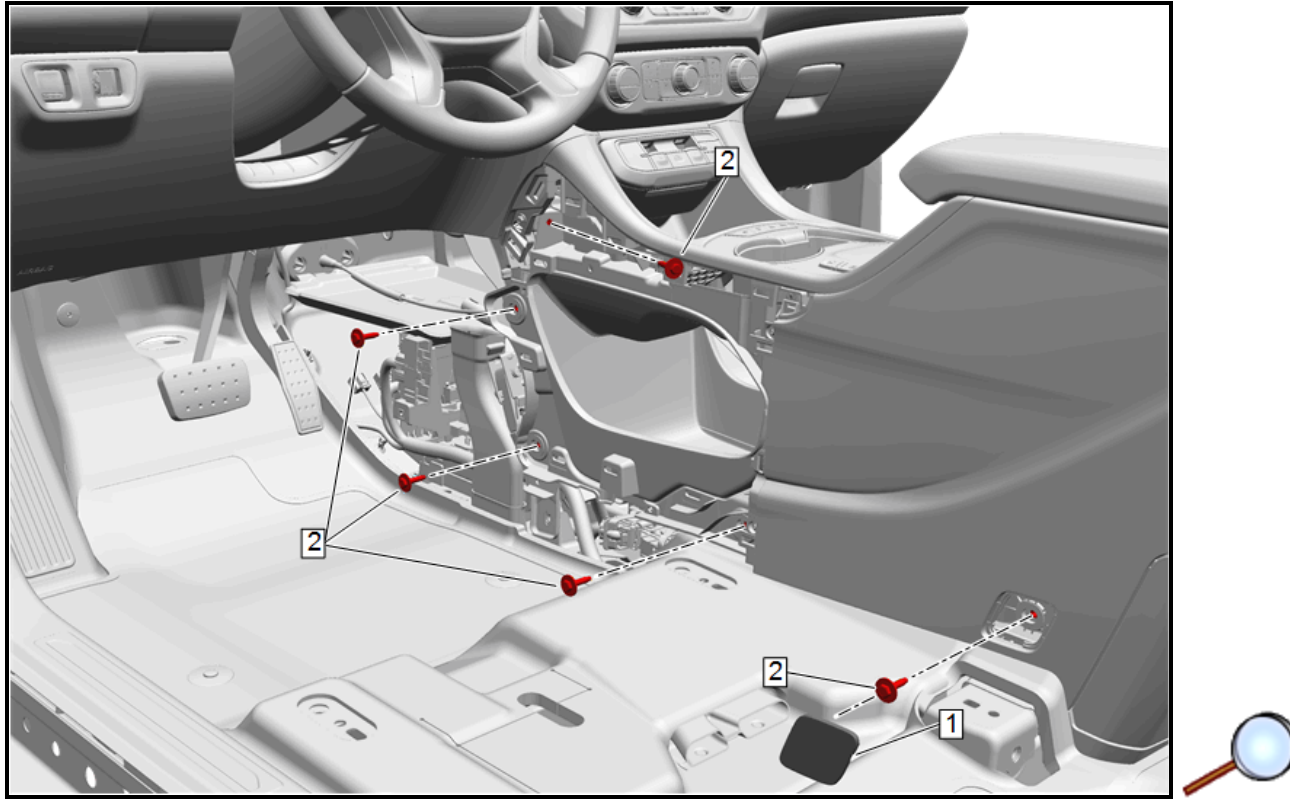
6. Using a flat-bladed plastic trim tool, remove the right rear floor console bolt access hole cover (1).
7. Remove and retain the bolts (2) from the right side of floor console.



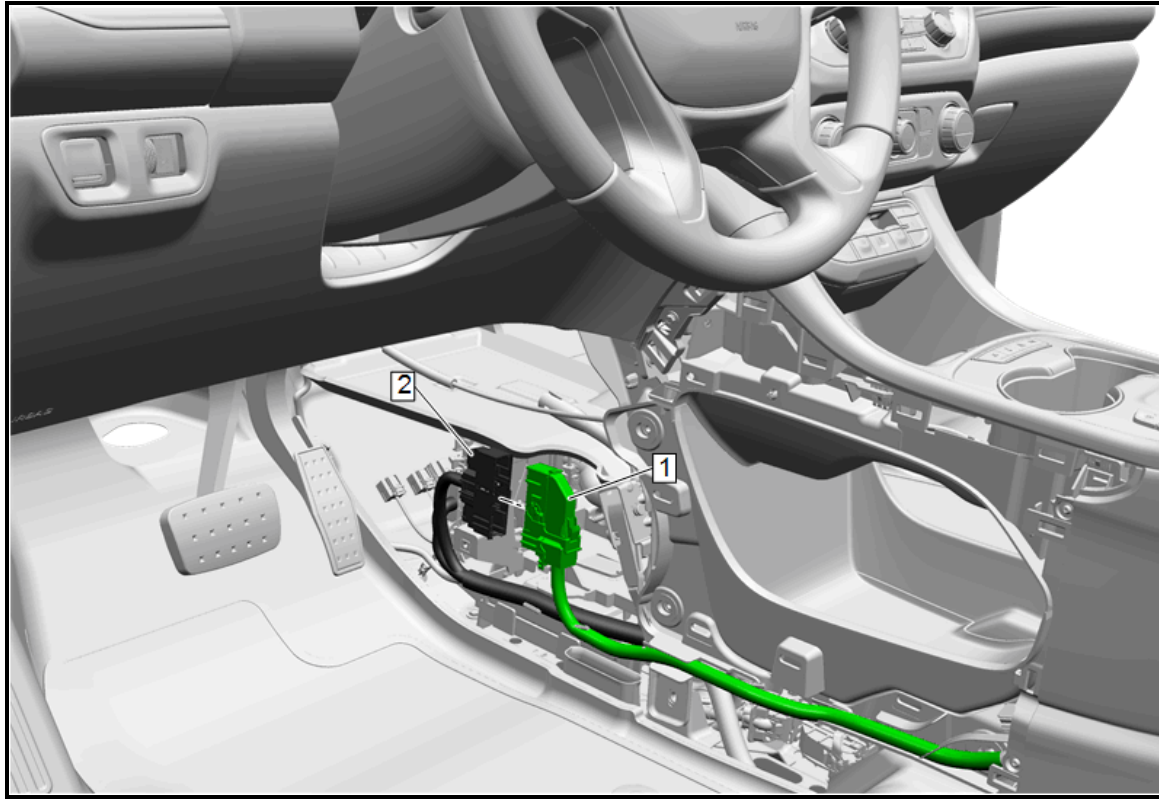
8. Using a flat-bladed plastic trim tool, disengage the retainers and remove the left front floor console bolt access hole cover (1).
9. Remove and retain the left front floor console extension bolt (2).
10. Position the left front seat in order to access the front floor console extension panel retainers.



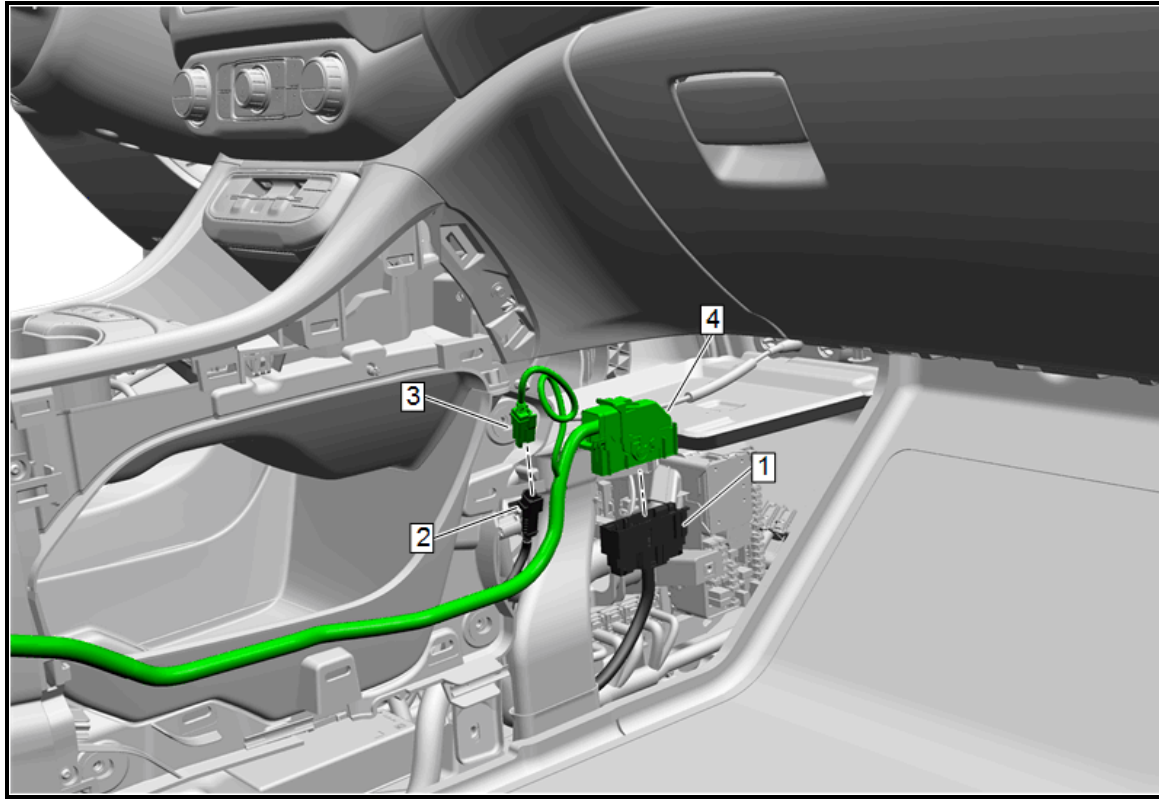
11. Using a flat-bladed plastic trim tool, disengage the retainers and remove the left front floor console extension panel (1) from the console.



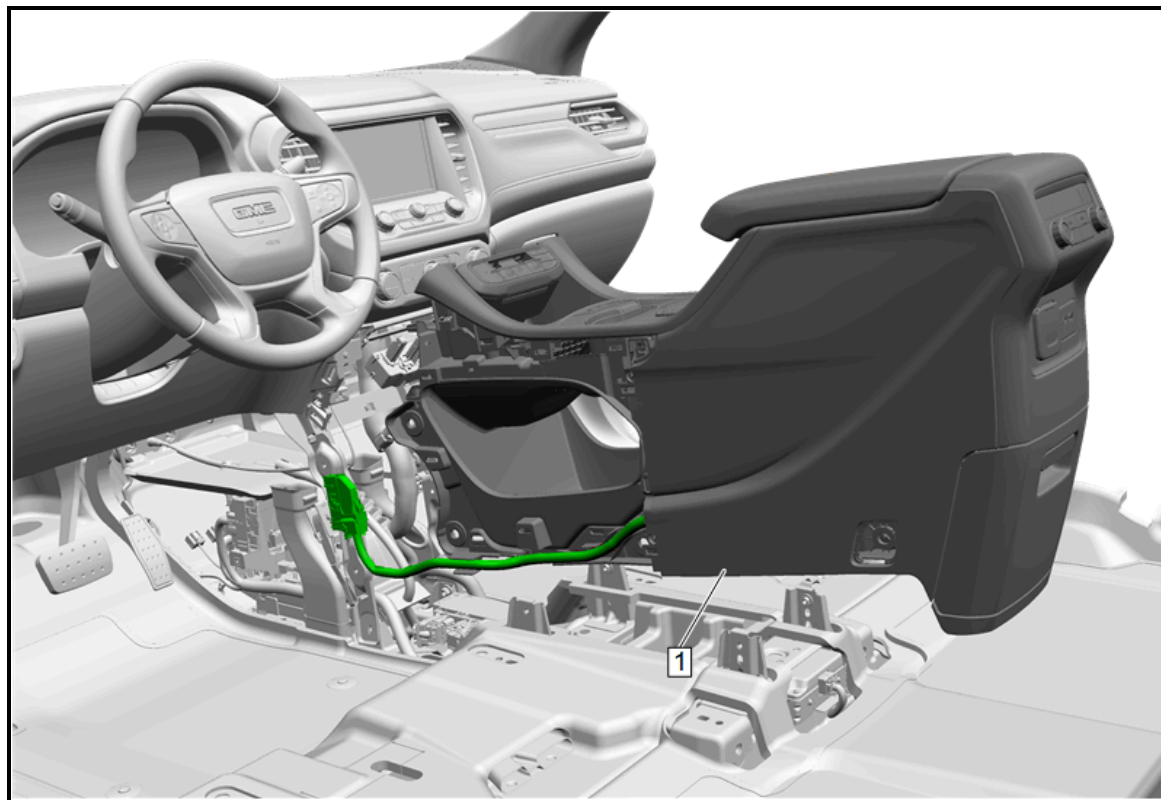
12. Using a flat-bladed plastic trim tool, remove the left rear floor console bolt access hole cover (1).
13. Remove and retain the bolts (2) from the left side of floor console.



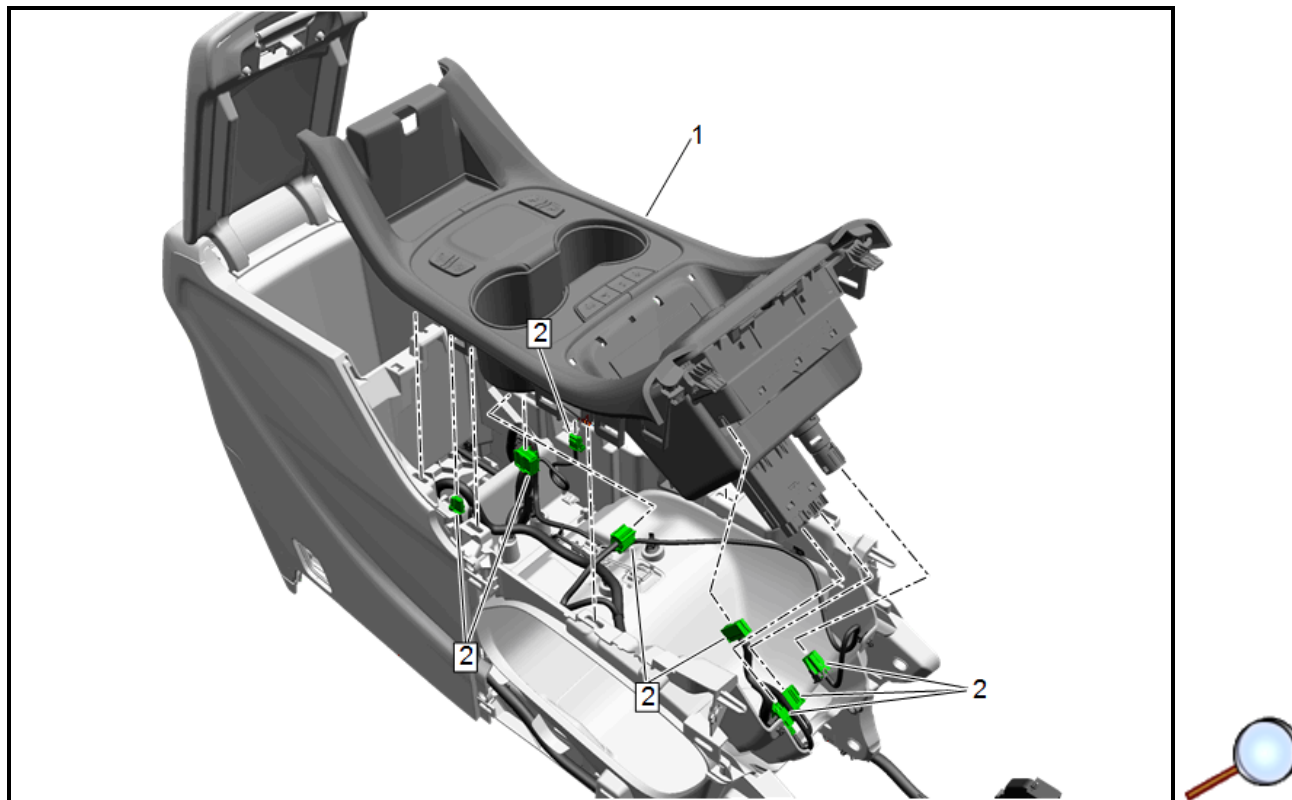
14. Disconnect the left side console harness connector (1) from the body harness connector (2).



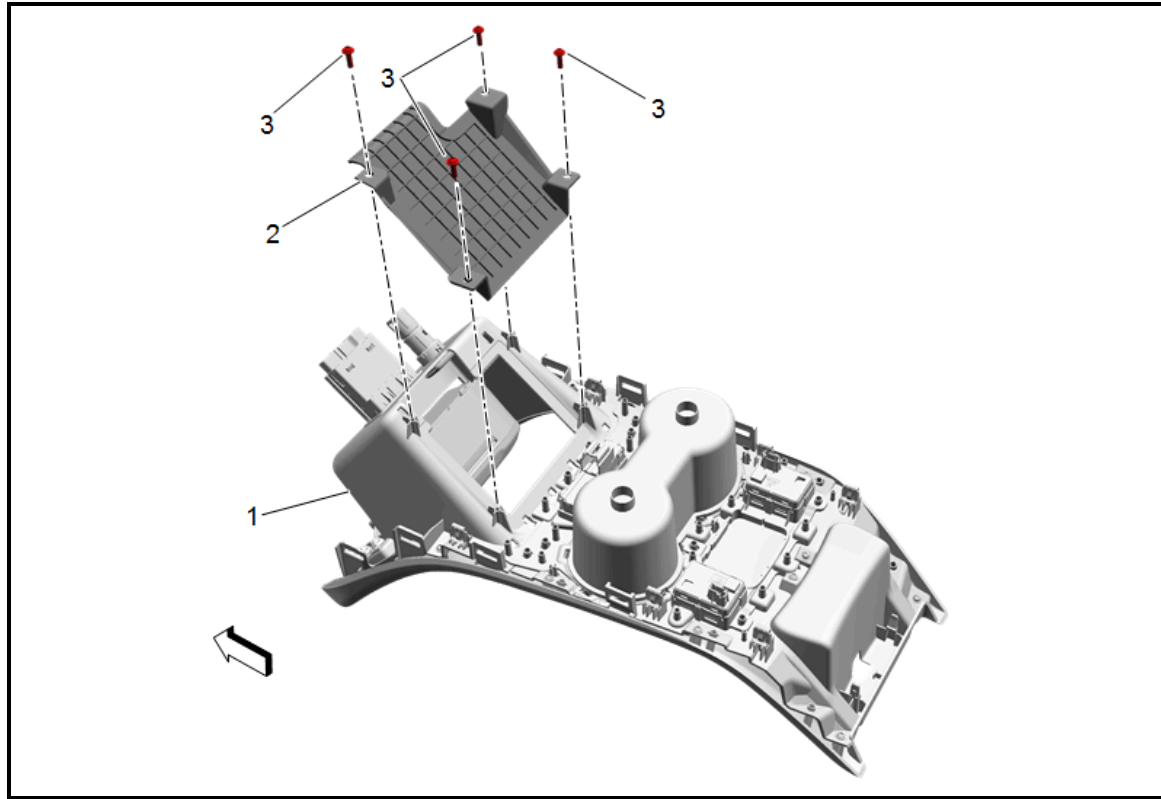
15. Disconnect the right side console harness connectors (3), (4) from the body harness connectors (1), (2).



16. Remove the console assembly (1) from vehicle by sliding rearward then lift up.
17. Place console assembly on a clean work surface.

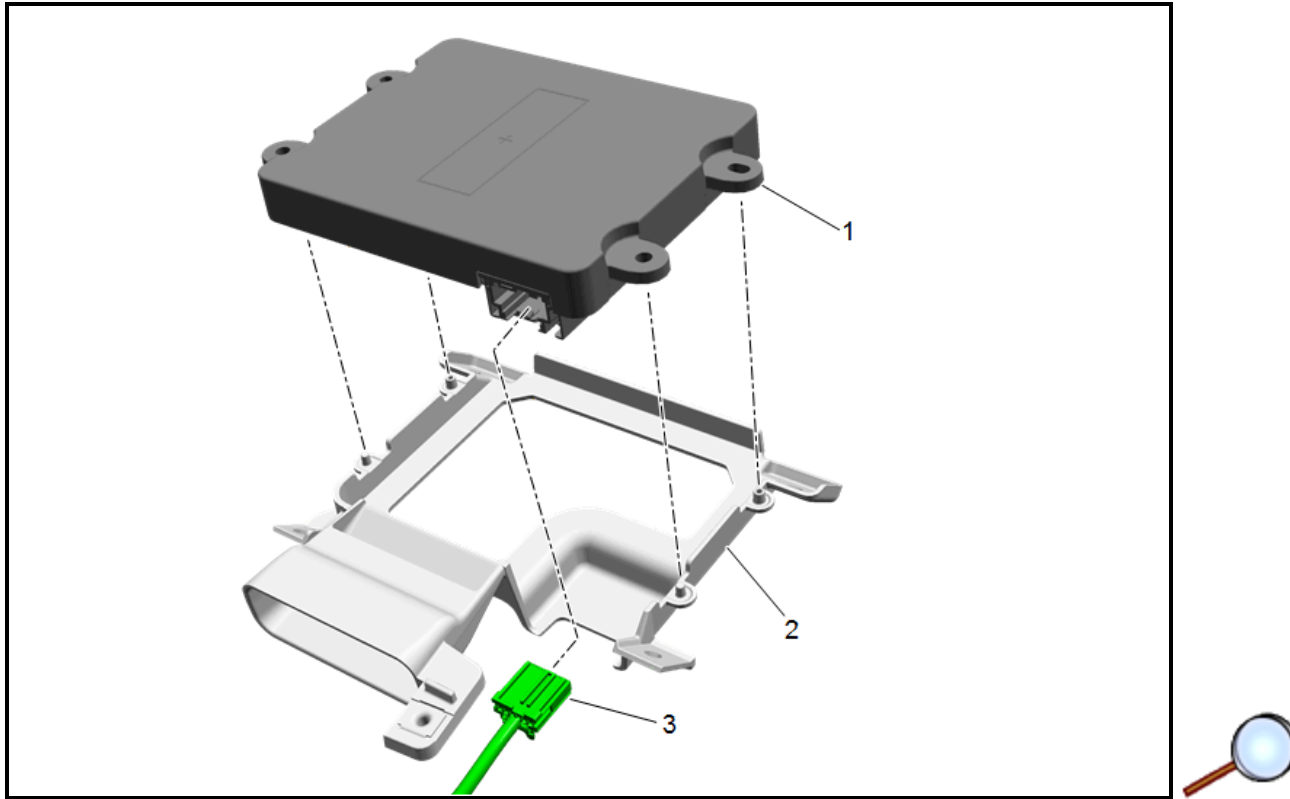


18. Using a flat-bladed plastic trim tool, disengage the retainers and remove the front floor console accessory trim plate (1). Disconnect the electrical connectors (2).
19. Position the front floor console accessory trim plate upside down on a clean work surface.



© 2024 General Motors. All rights reserved.

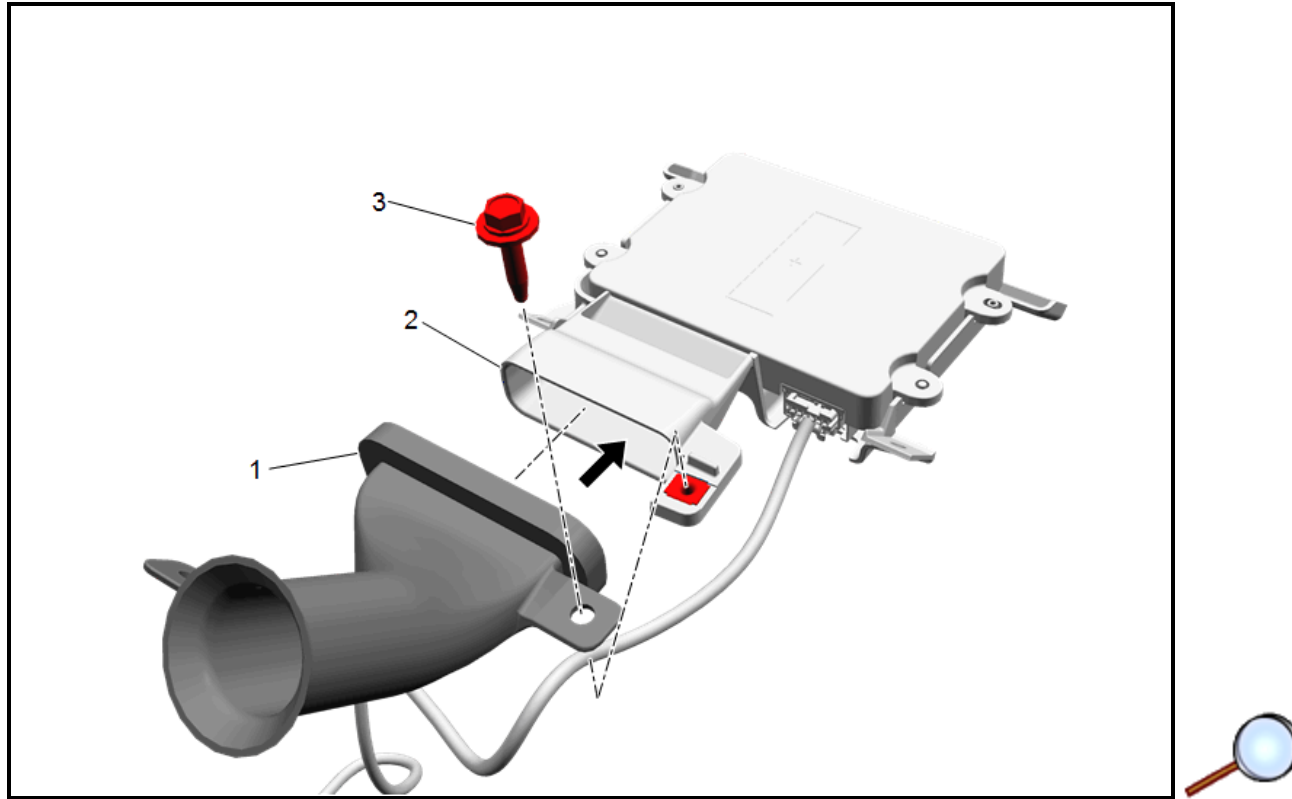
20. Remove the screws (3) and the hole trim cover (2) from front floor console accessory trim plate (1). Discard screws and hole trim cover.



21. Install module (1) into module bracket (2).

Note: This is a press fit.

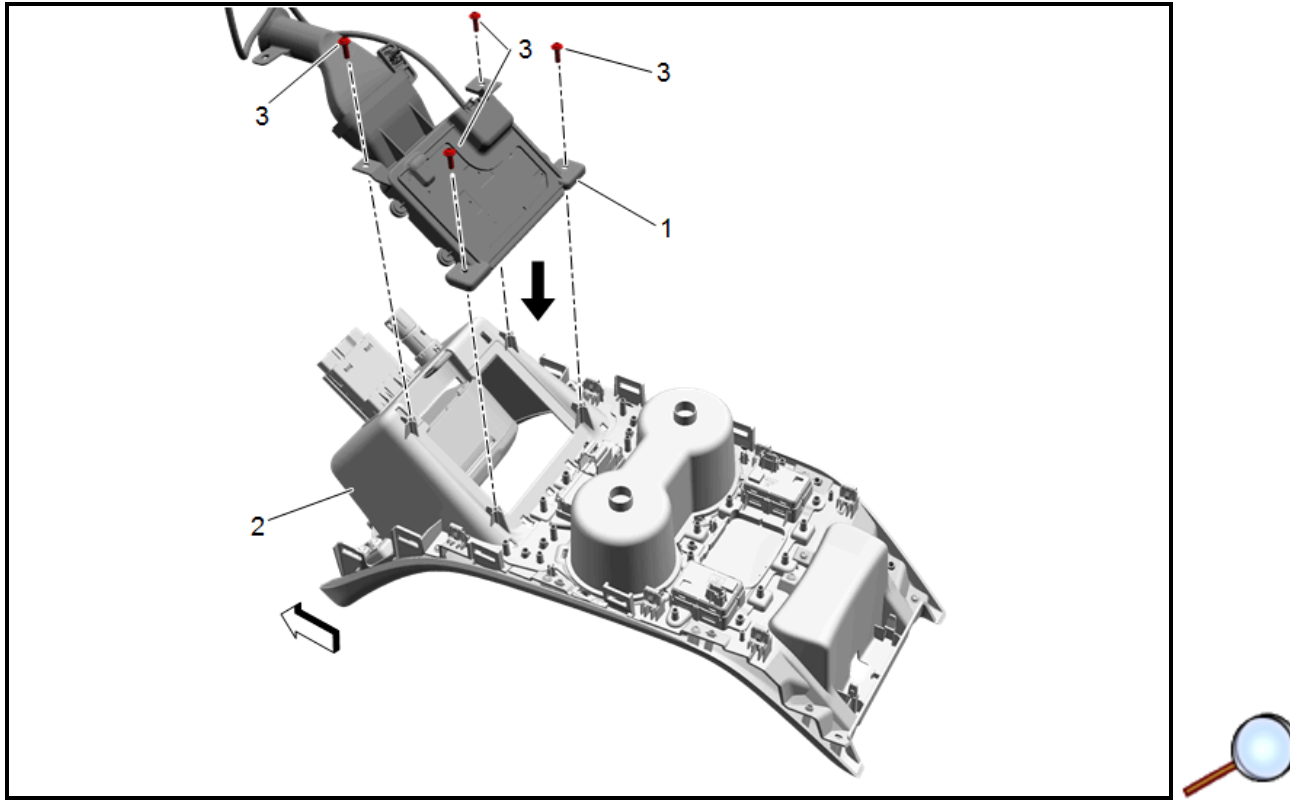
22. Connect provided wire harness (3) into module (1).



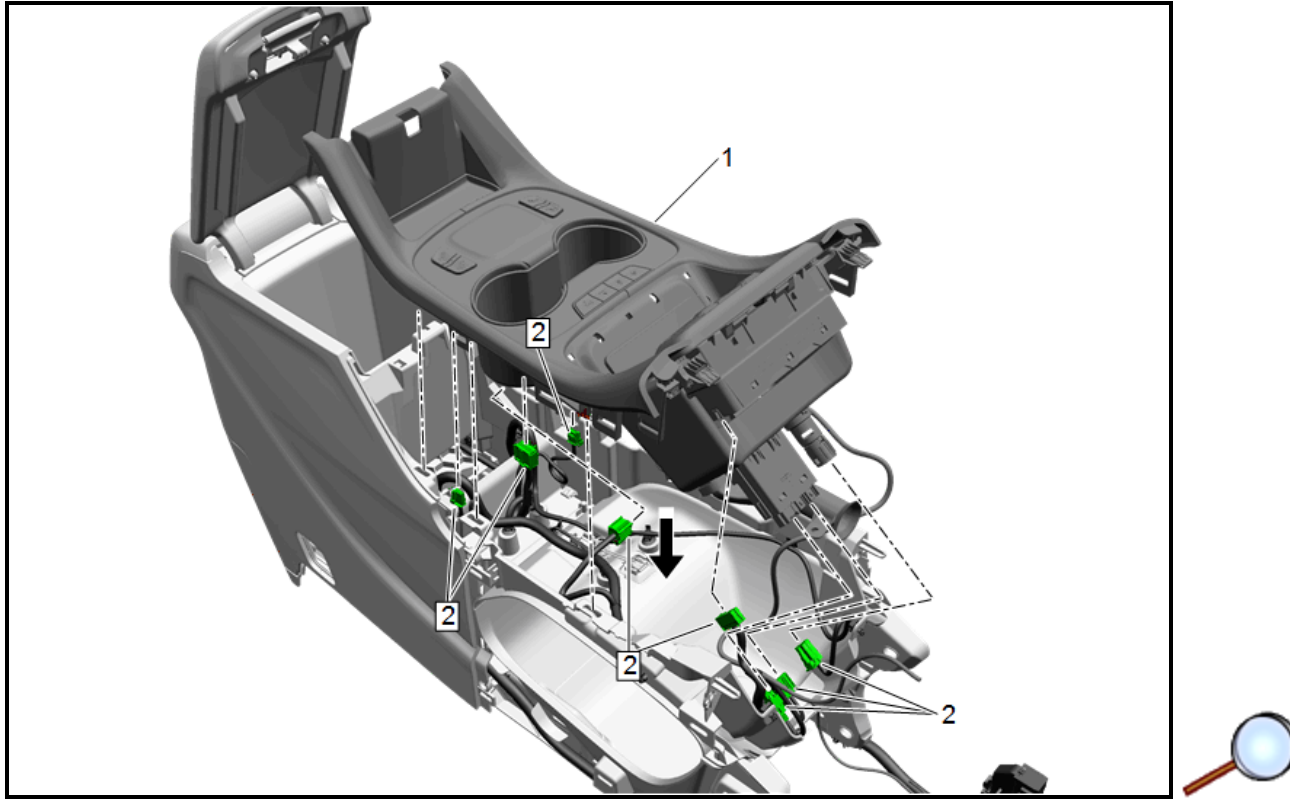
23. Install the short duct (1) to the module bracket (2).

Caution: Use the correct fastener in the correct location. Replacement fasteners must be the correct part number for that application. Fasteners requiring replacement or fasteners requiring the use of thread locking compound or sealant are identified in the service procedure. Do not use paints, lubricants, or corrosion inhibitors on fasteners or fastener joint surfaces unless specified. These coatings affect fastener torque and joint clamping force and may damage the fastener. Use the correct tightening sequence and specifications when installing fasteners in order to avoid damage to parts and systems.

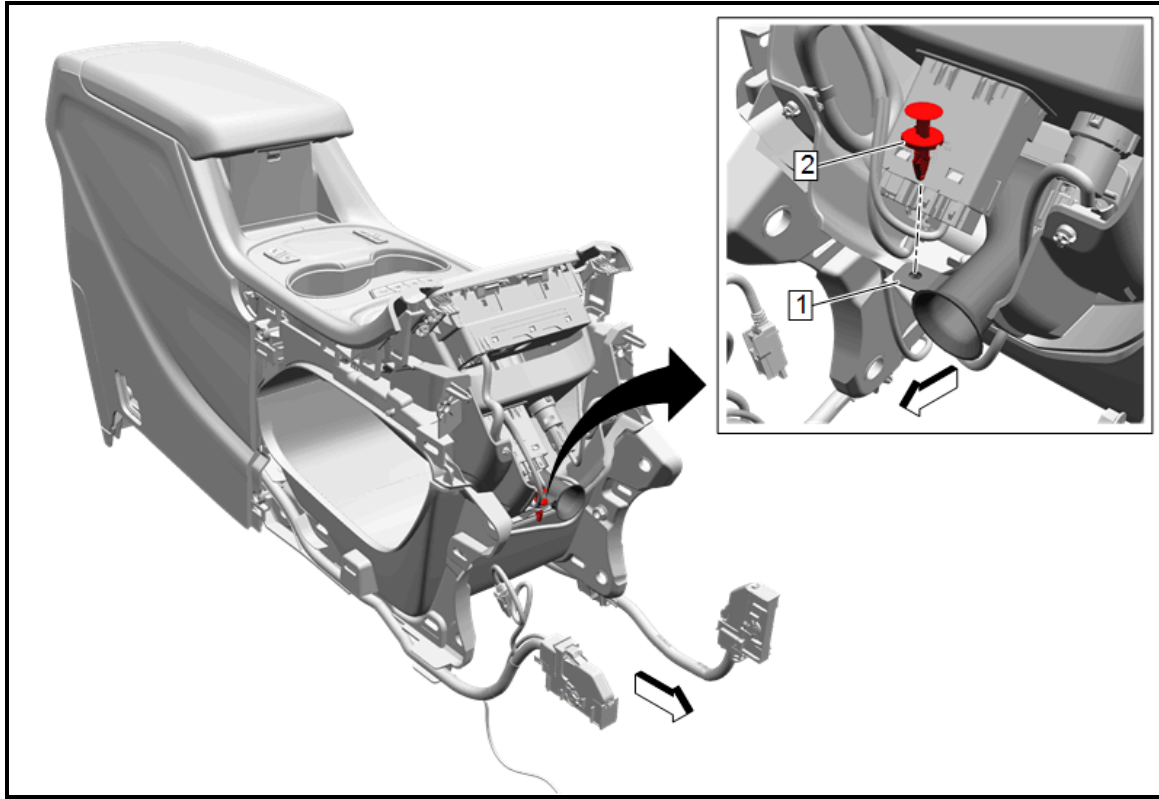
24. Install bolt (3) to duct (1) and tighten to 2.5 N.m (22 lb in).



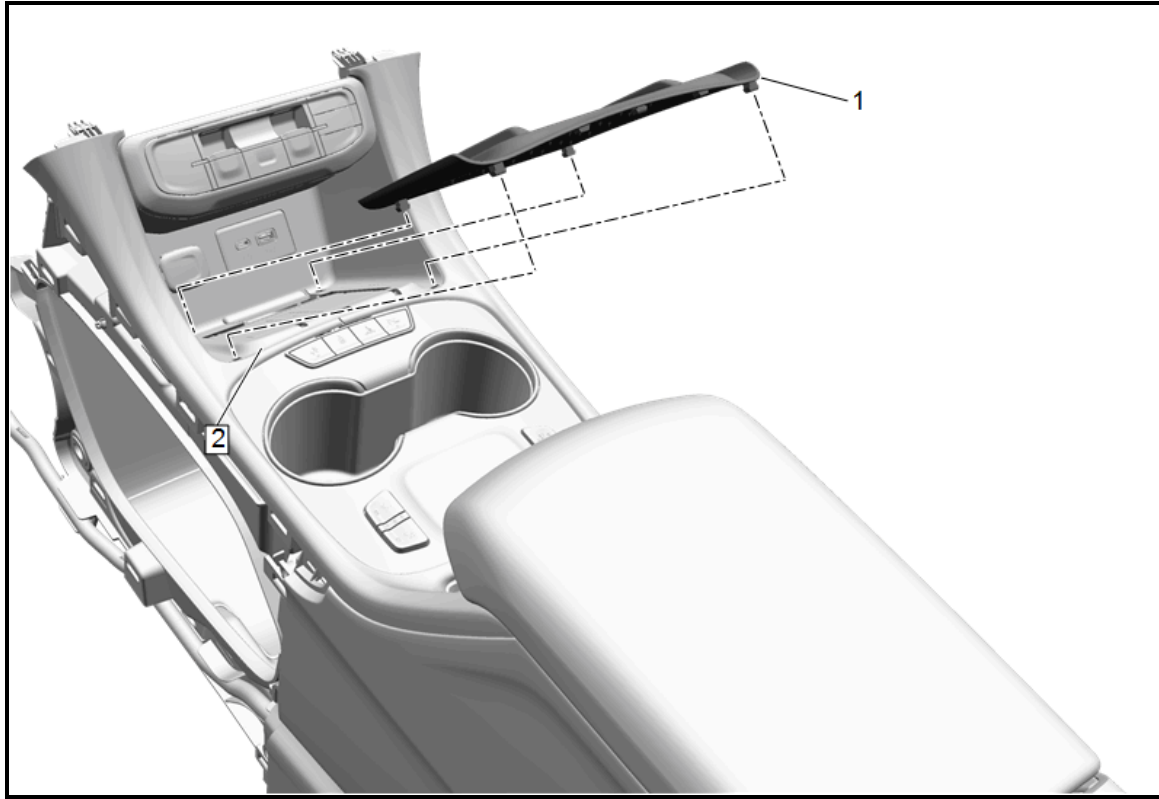
25. Install the module and bracket assembly (1) to the front floor console accessory trim plate (2) and secure with the provided screws (3). Tighten the screws to 1.2 N.m (11 lb in).



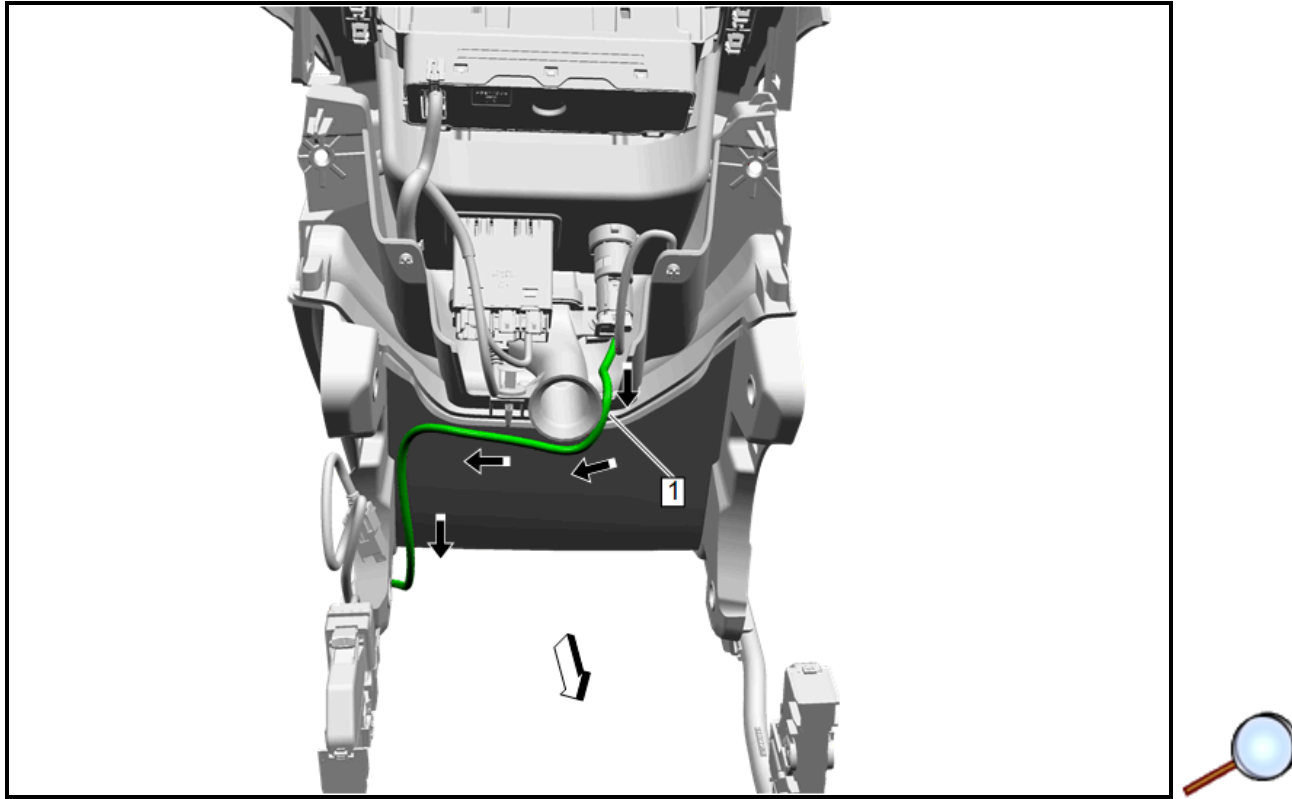
26. Re-install the front floor console accessory trim plate (1) to the front floor console connecting the electrical connectors and engage the front floor console accessory trim plate retainers.



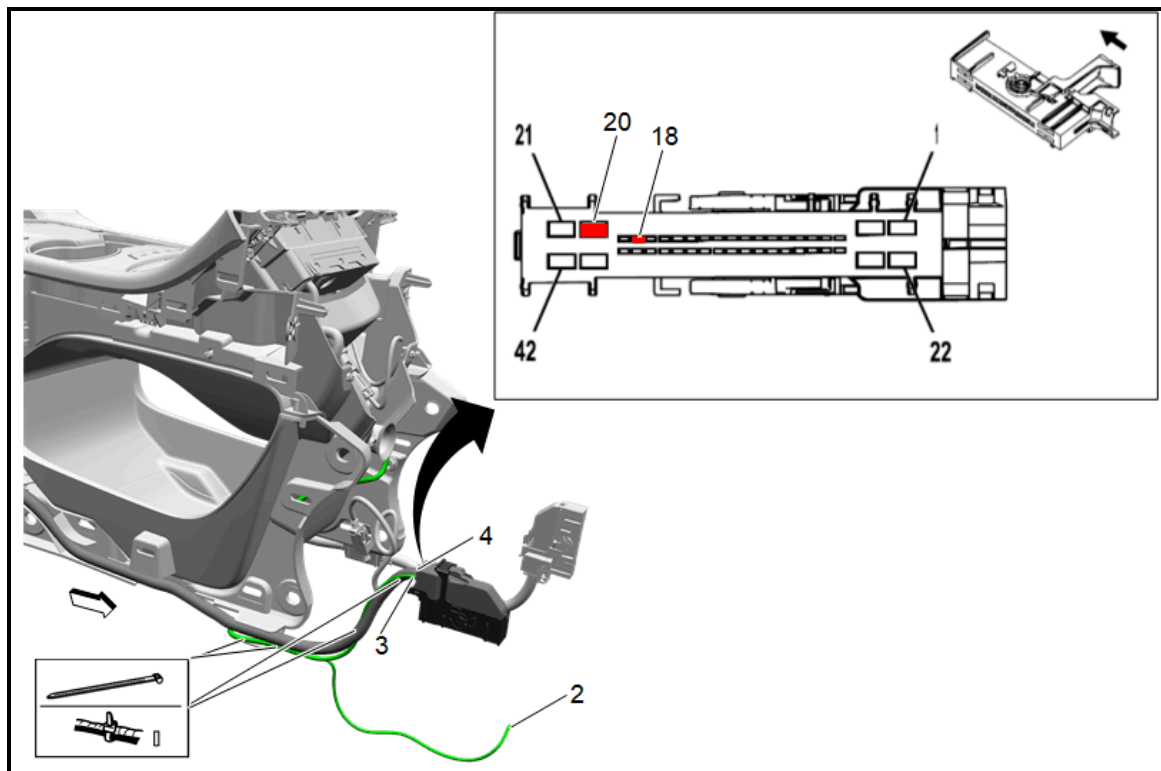
27. Once the front floor console accessory trim plate is in place, secure the console duct (1) with provided push pin (2).



28. Install new liner (1) into front floor console bin (2).

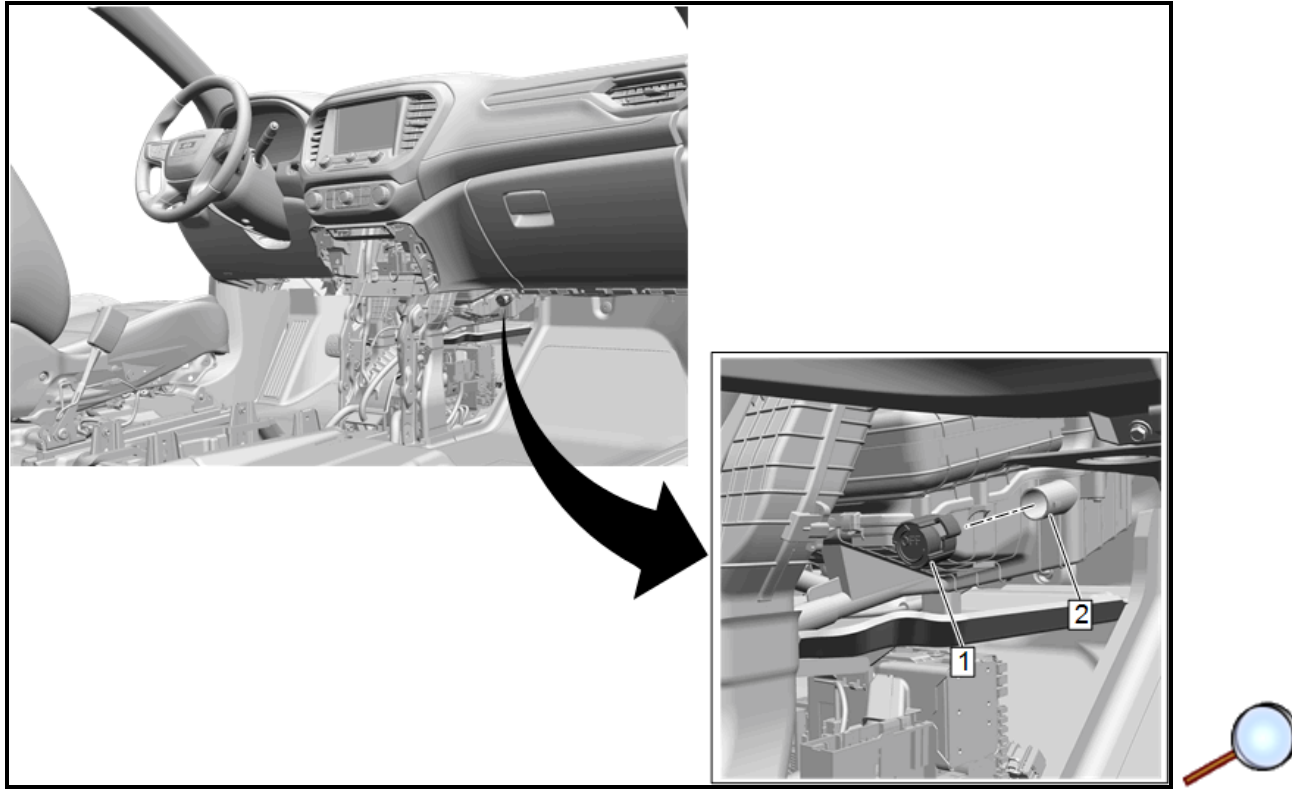


29. Route the provided charger harness (1) down through the right side of front floor console as shown.

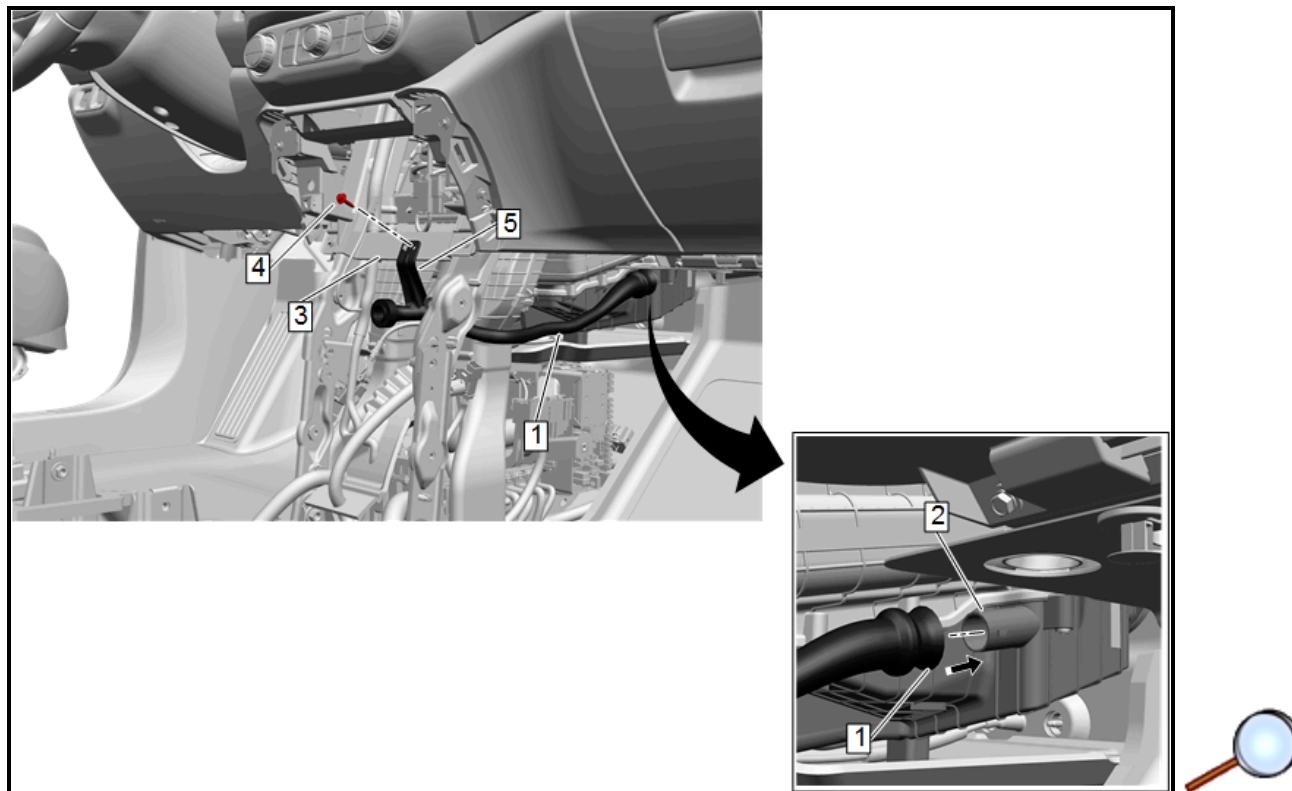


Note: Other accessory harness branch (2) will be used for BCM connection once console is installed to vehicle.

30. Route one branch (3) accessory harness leads to front floor console connector (4) (42-way male).
 31. At the front floor console connector (4), locate wires in **cavities 18 and 20**. Remove approx 75mm of the tape-over wrap exposing the wires beneath to locate the wires in those cavities. Cut the **VIOLET** wire entering **cavity 18** and strip back the insulation on both sides.
 32. Locate the **VIOLET** wires on accessory harness (3), using the enclosed **RED** splice barrels, splice both accessory **VIOLET** wires into the ends of the cut wire (that enters **cavity 18**).
 33. Locate the wire at **cavity 20** and repeat the above process with the accessory harness (3) **BLACK** wires using the other **BLUE** splice barrels.
- Note:** Use standard GM approved procedures for installing and crimping splices.
34. Re-tape harness as close to back of connection as possible.
 35. Secure accessory harness to console harness using provided tie straps.



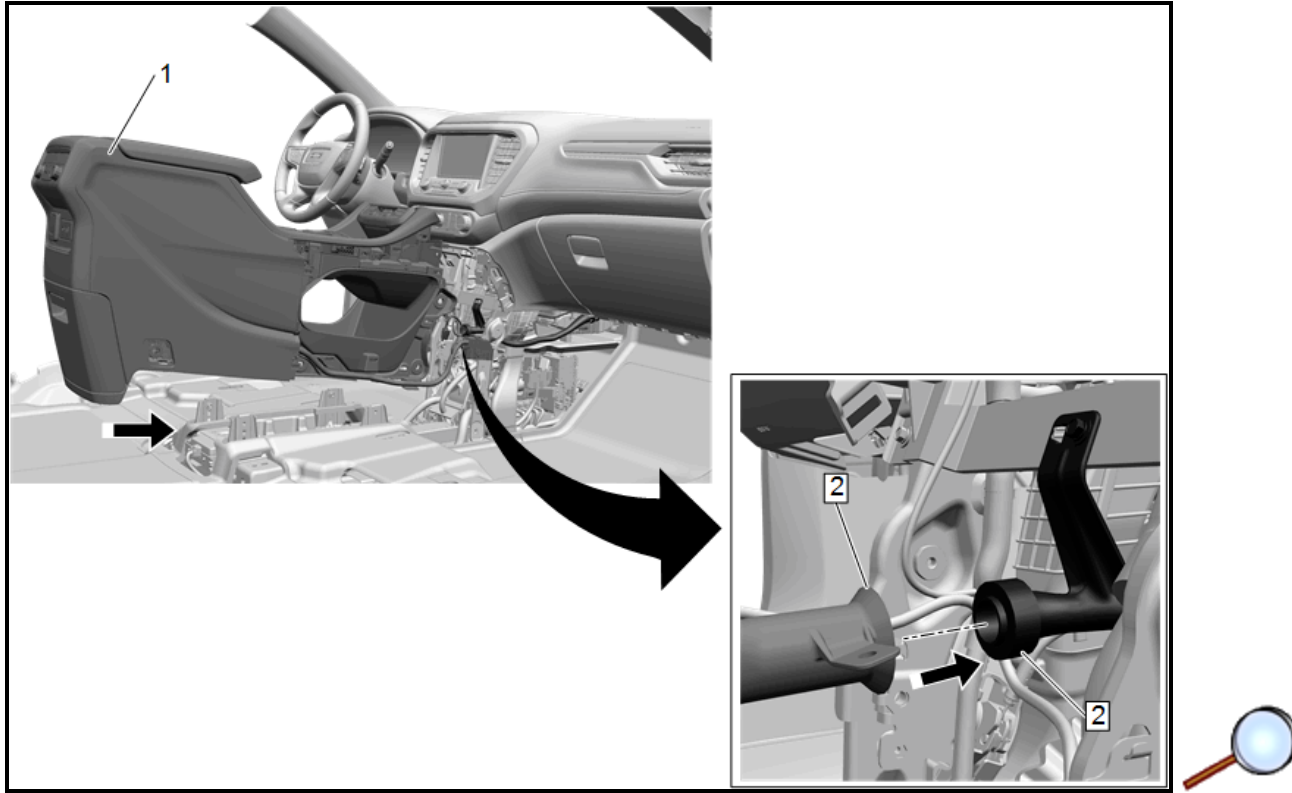
36. On the passenger lower side of instrument panel, locate and remove the cap (1) from the HVAC module (2).



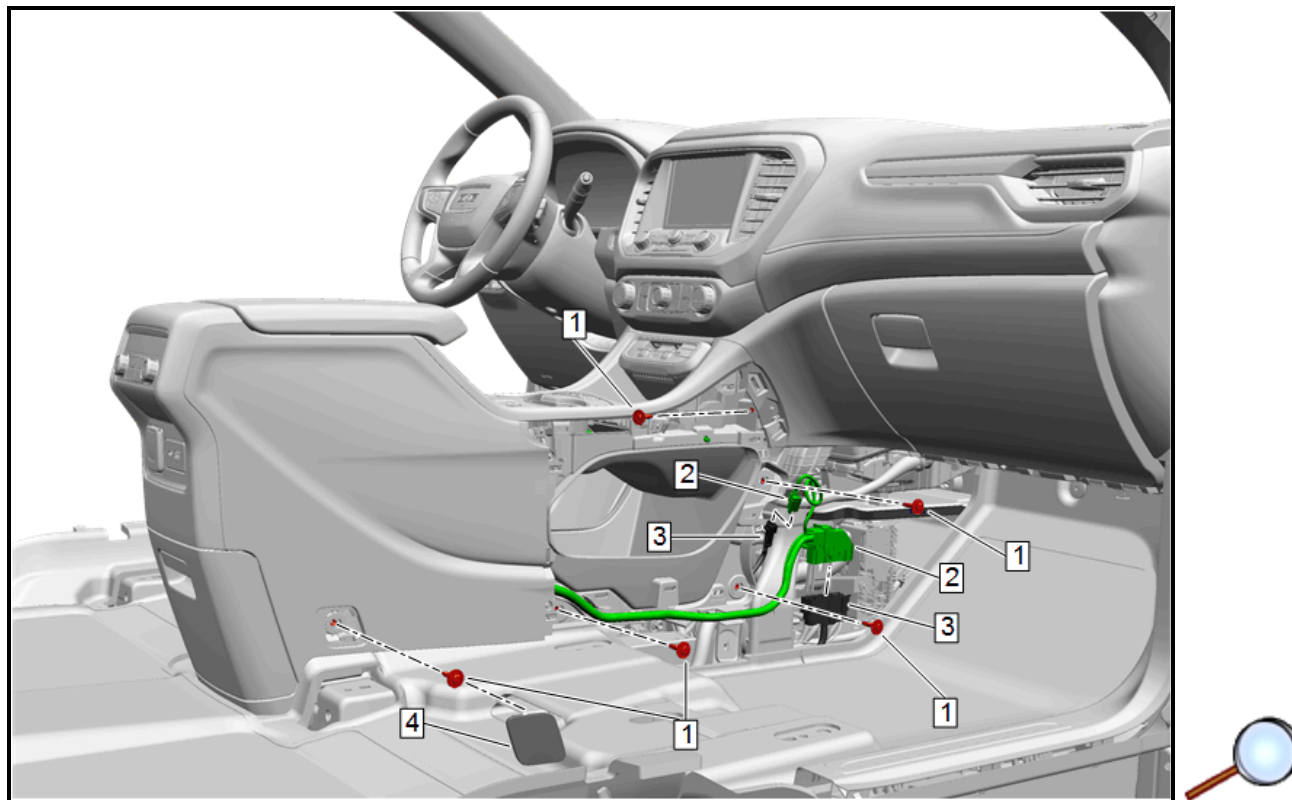
37. Install the long duct (1) to the HVAC module (2) where cap was removed. This is a press fit.

38. Attach long duct (5) to instrument panel cross brace (3) and secure with provided screw (4). Tighten screw to 2.5 N.m (22 lb in).

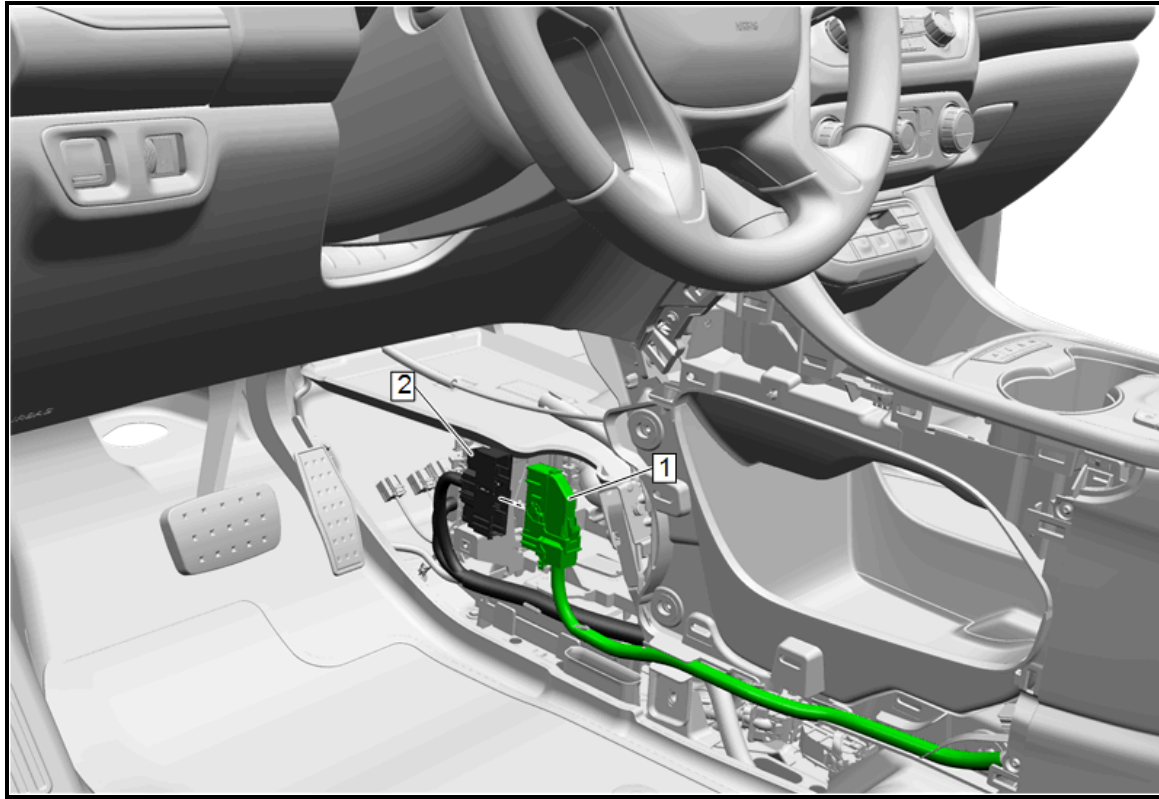
© 2024 General Motors. All rights reserved.



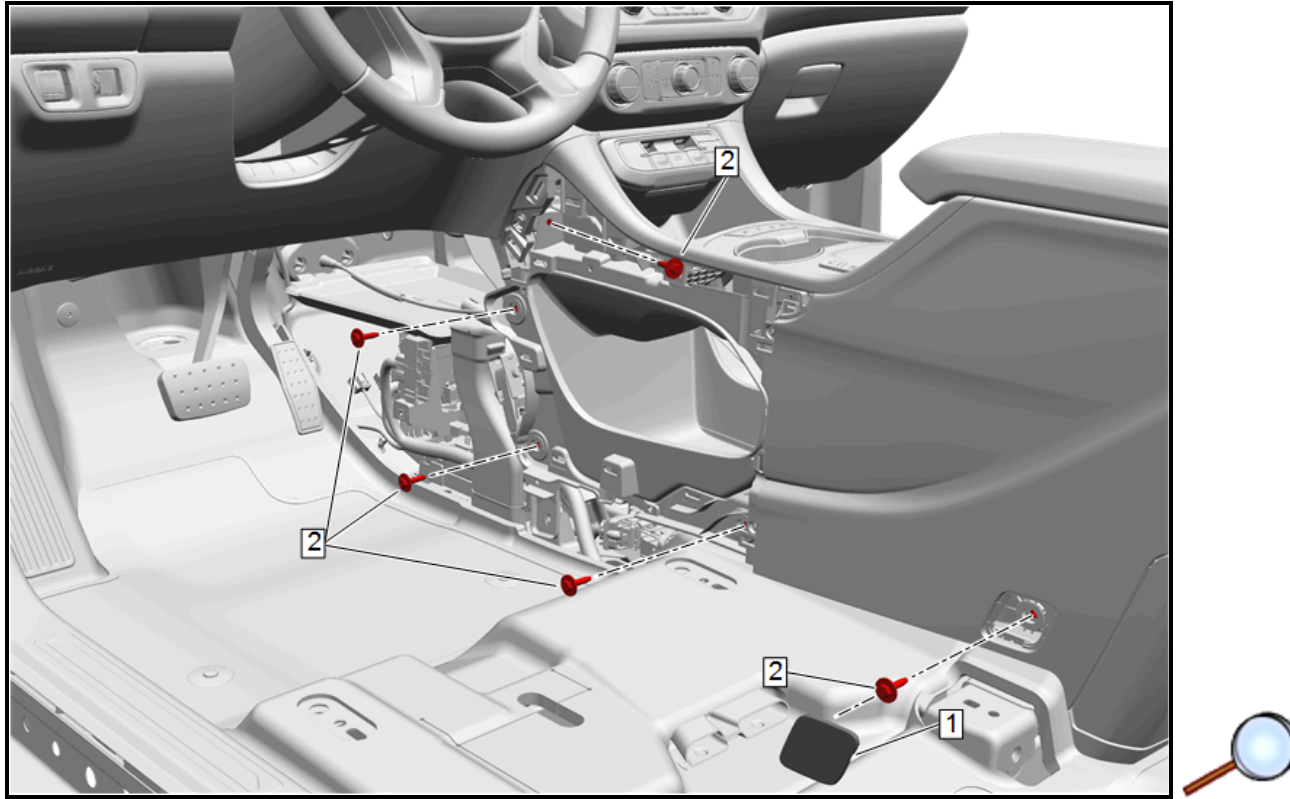
39. Re-install front floor console (1) to vehicle while sliding forward making sure cooling ducts (2) line up with each other.



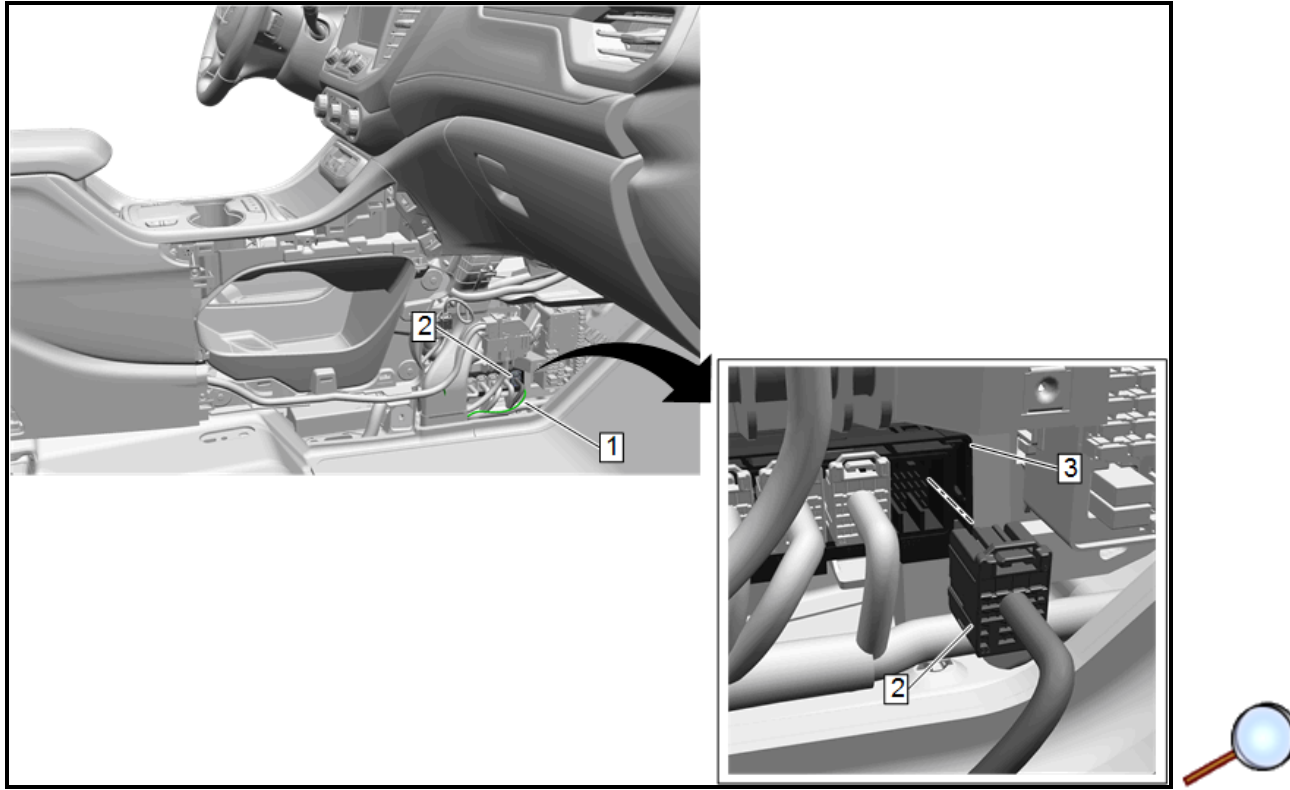
40. Once front floor console is on position, reinstall the right side bolts (1). Tighten bolts to 9 N.m (80 lb in).
41. Re-connect right front floor console harness connectors (2) to the right body harness connectors (3).



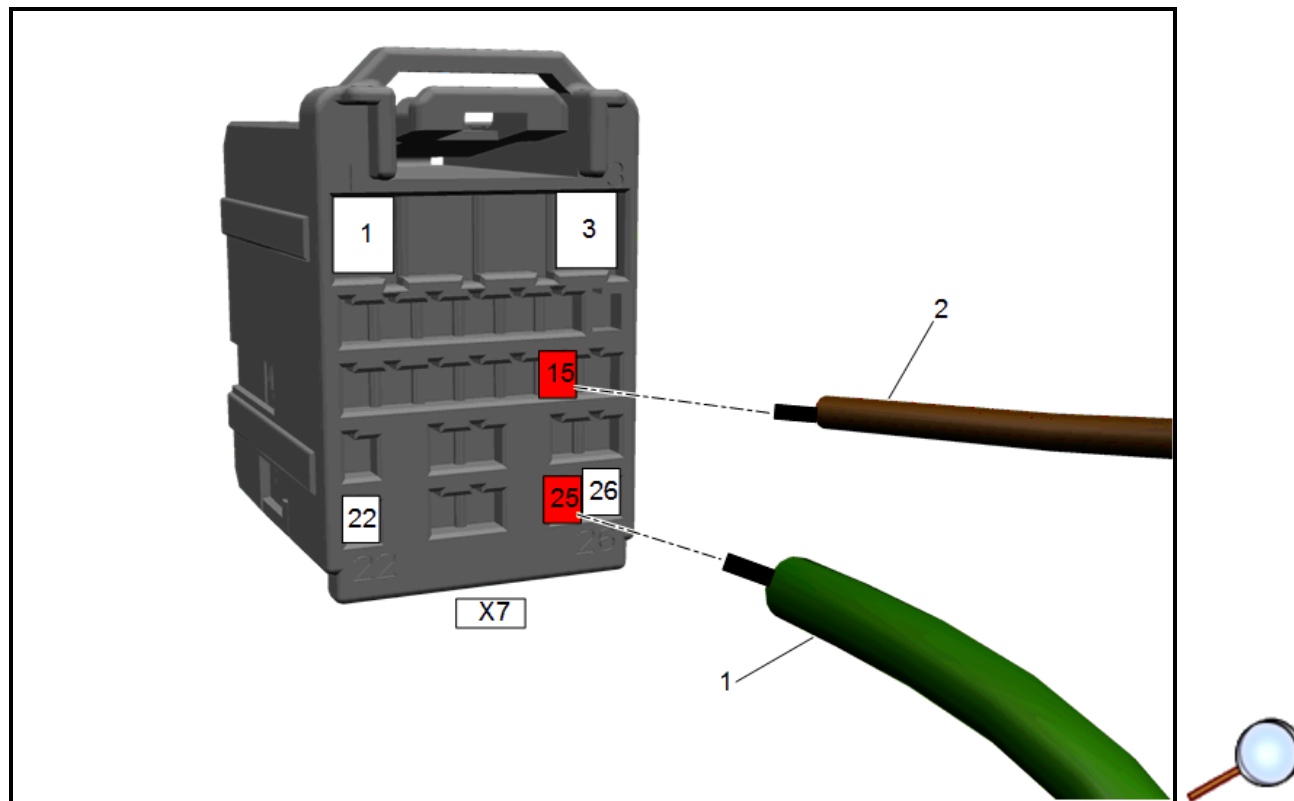
42. Re-connect the left front floor console harness connector (1) to the left body harness connector (2).



43. Re-install the left side console bolts (2). Tighten bolts to 9 N.m (80 lb in).
44. Re-install the left rear console access bolt cover (1).



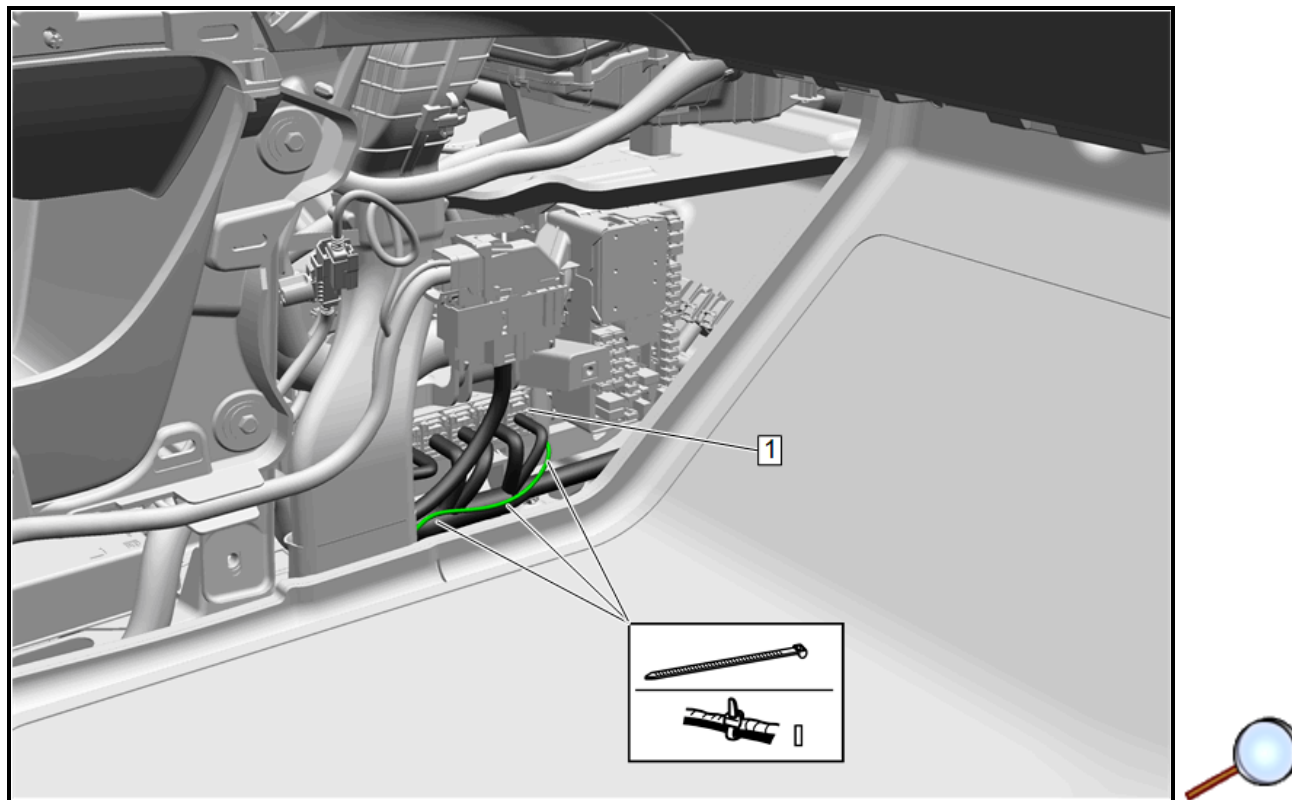
45. On the right side of front floor console, route the accessory harness terminal lead branch (1) down and forward to BCM connector **X7** (2).
46. Disconnect BCM connector **X7** (2) from BCM (3).



47. Locate **cavity 25** on BCM connector **X7** and insert terminated **GREEN** wire 4512 of accessory harness (1).

Note: If there are wires pre-existing at cavities 15 and 25, please remove them and insert the kit wires in their place. The wires that might be there are open circuit, make sure to cut back and tape up wires after removal with no detriment to the vehicle.

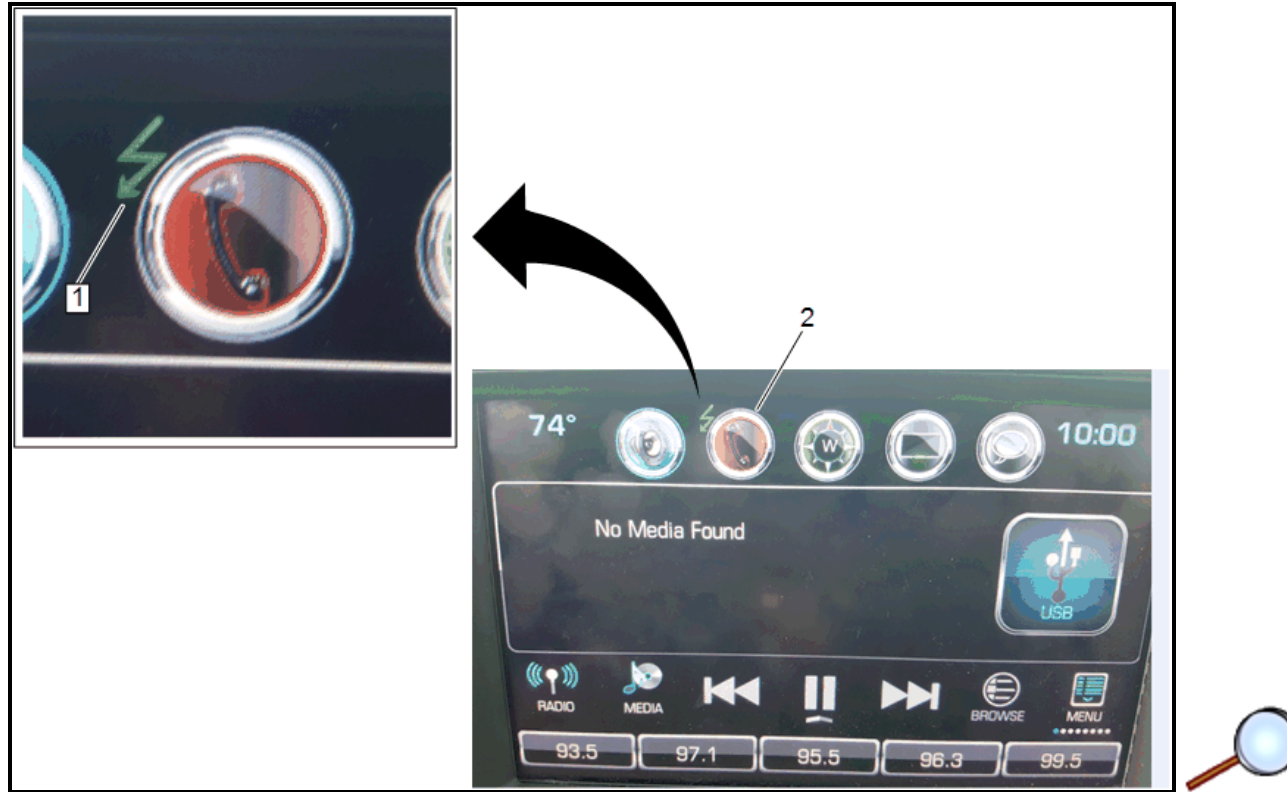
48. Locate **cavity 15** on BCM connector **X7** and insert terminated **BROWN** wire 4511 of accessory harness (2).



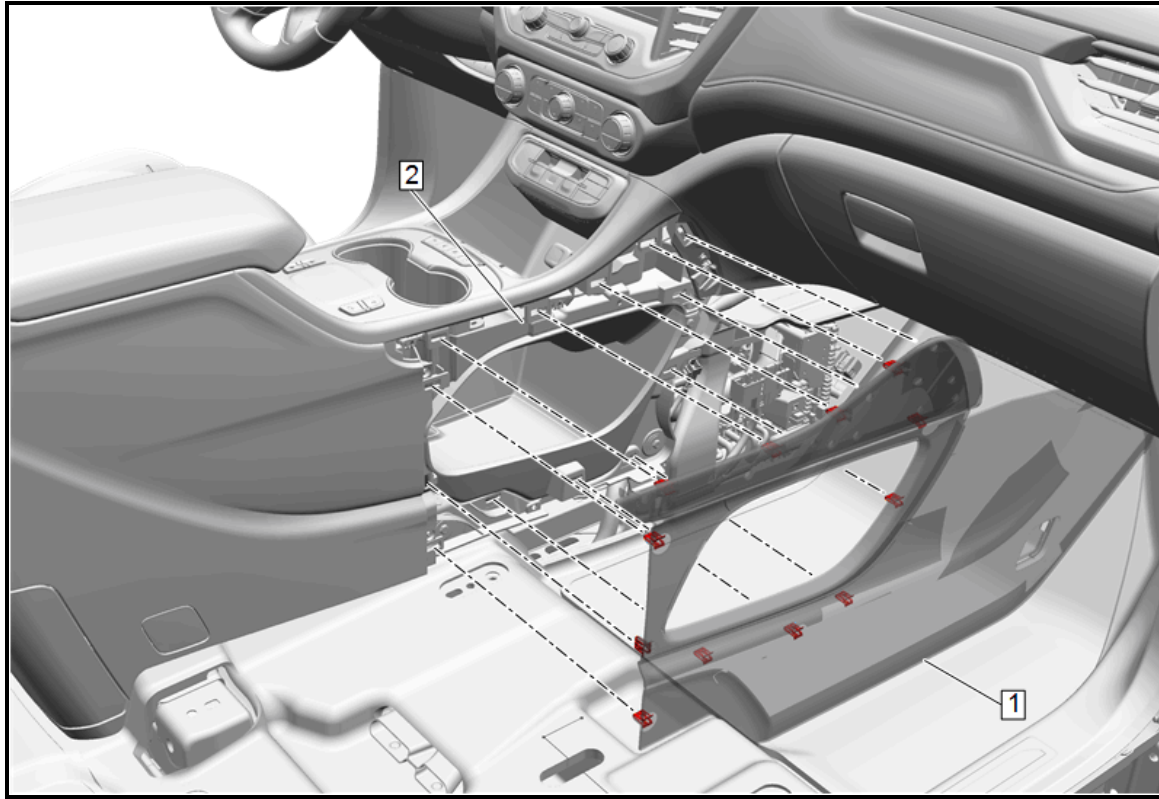
49. Re-connect BCM connector **X7** (1) into BCM.
50. Secure accessory harness to existing harness with the provided tie straps.
51. **Calibrations:** With the support of the Tech Line, download the new wireless charger calibration to support this feature. The BCM must be reprogrammed to enable the display icon and diagnostics for the wireless charger module.

Note: The installation of this accessory wireless charger requires programming and configuring of the vehicle. This is done with a Service Programming System (SPS-TIS2WEB). Call TCSC: United States 1-888-337-1010 Canada (English) 1-800-828-6860 Canada (French) 1-800-503-3222. The Techline Customer Support Center will provide programming instructions and changes to the vehicles calibration settings. You must provide the vehicle identification number (VIN) of the vehicle to be programmed and the authorization code when calling TCSC.

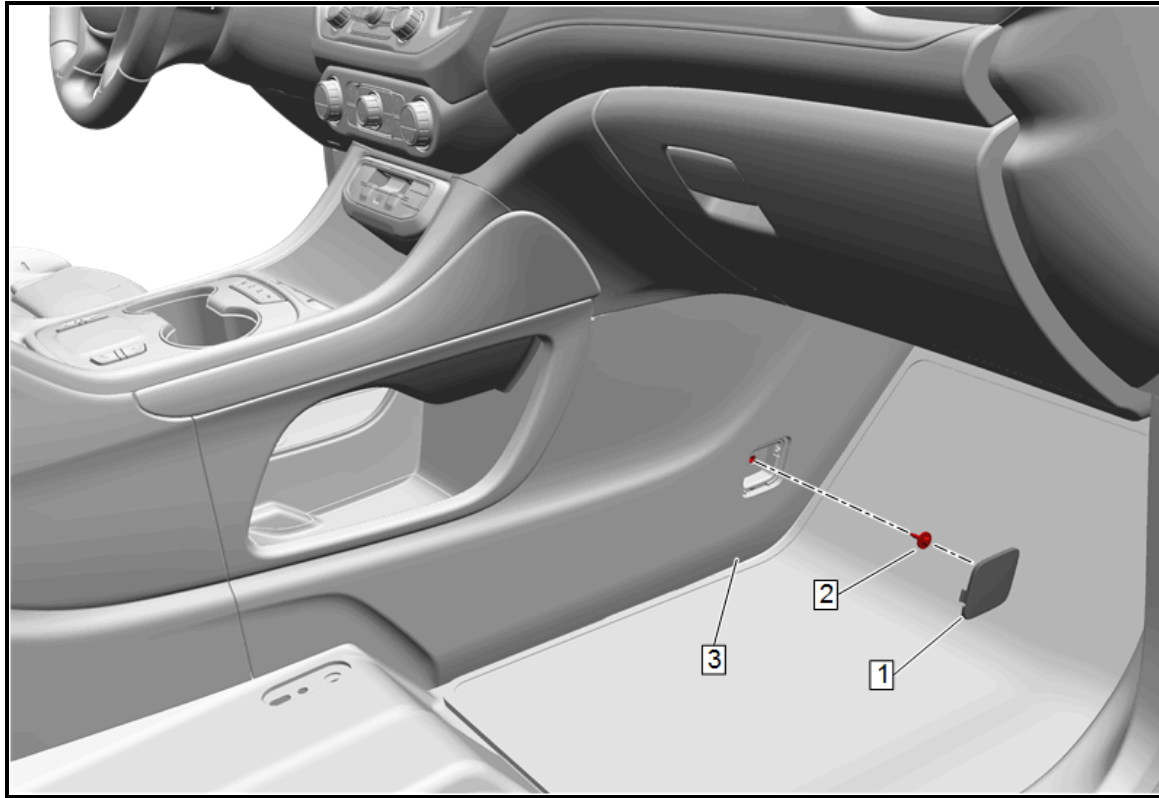
52. Test Charge Module:



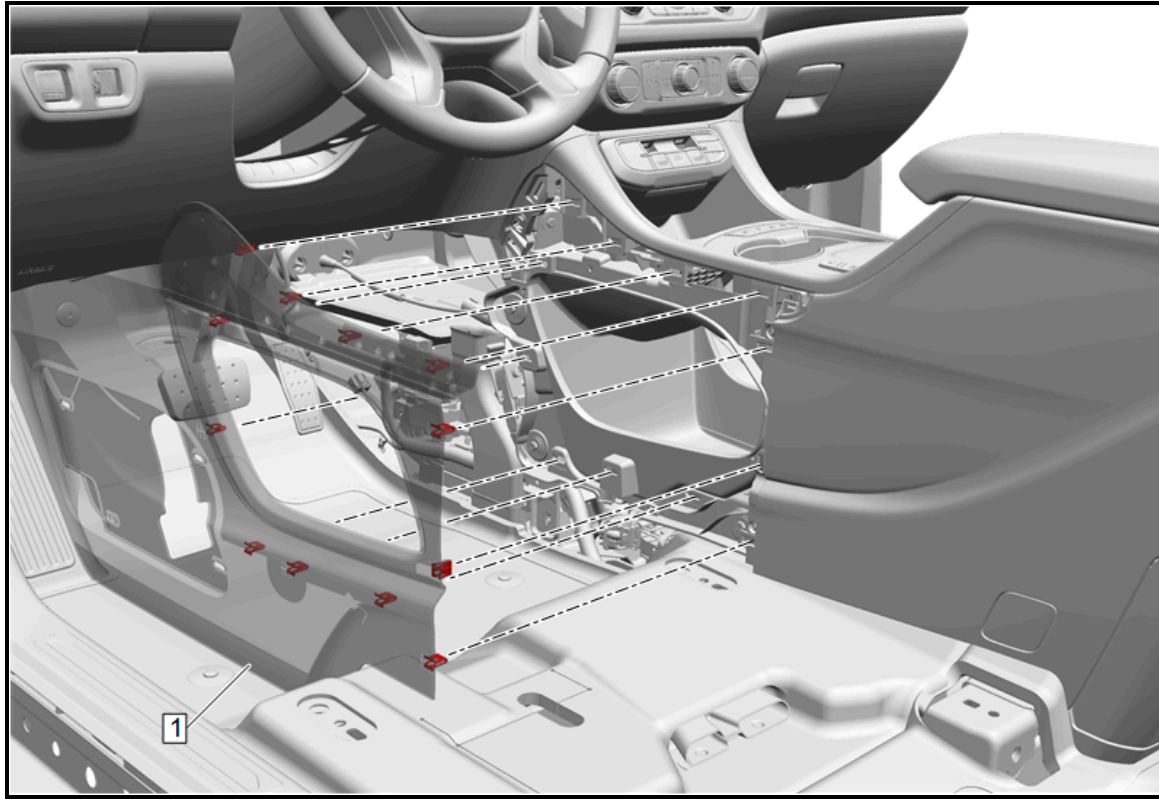
- With the vehicle in RAP mode (retained accessory power), Ign or Run place a chargeable phone on the phone liner mat.
- Verify the GREEN charging indicator (1) is displayed on the driver information display next to the phone icon (2).



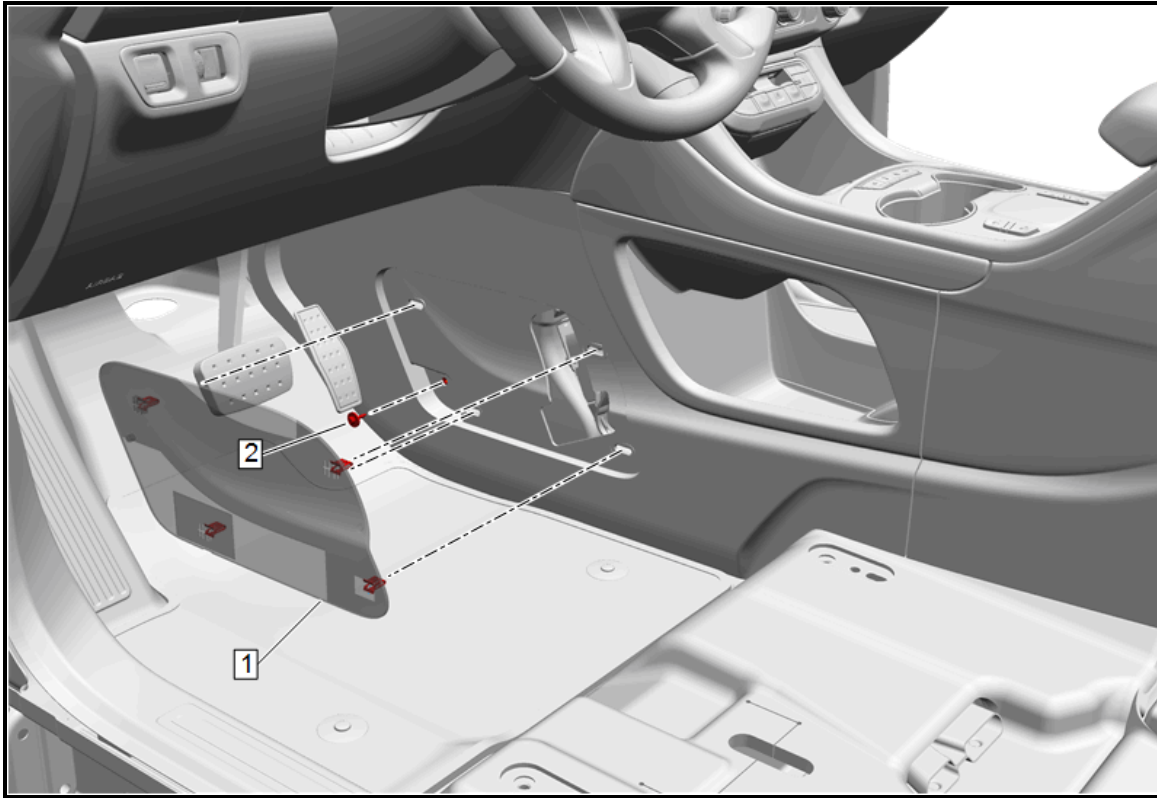
53. Re-install the right front console extension panel (1) to the console (2) making sure to engage the retainers.



54. Re-install the screw (2) to the right front console extension panel (3). Tighten screw to 2.5 N.m (22 lb in).
55. Re-install the right front console extension panel screw cover (1).



56. Re-install the left front console extension panel (1) to the console making sure to engage the retainers.



57. Re-install the screw (2) to the left front console extension panel. Tighten screw to 2.5 N.m (22 lb in).
58. Re-install the left front console extension panel screw cover (1).