

**Document ID: 5733377**

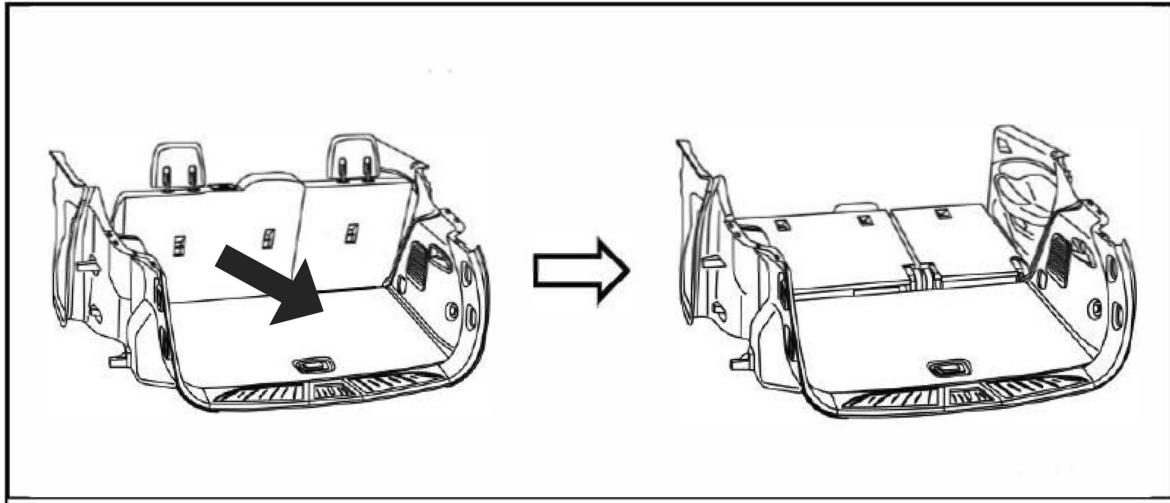
# Rear Compartment Floor Stowage Compartment Package Installation

**Installation Instructions Part Number**

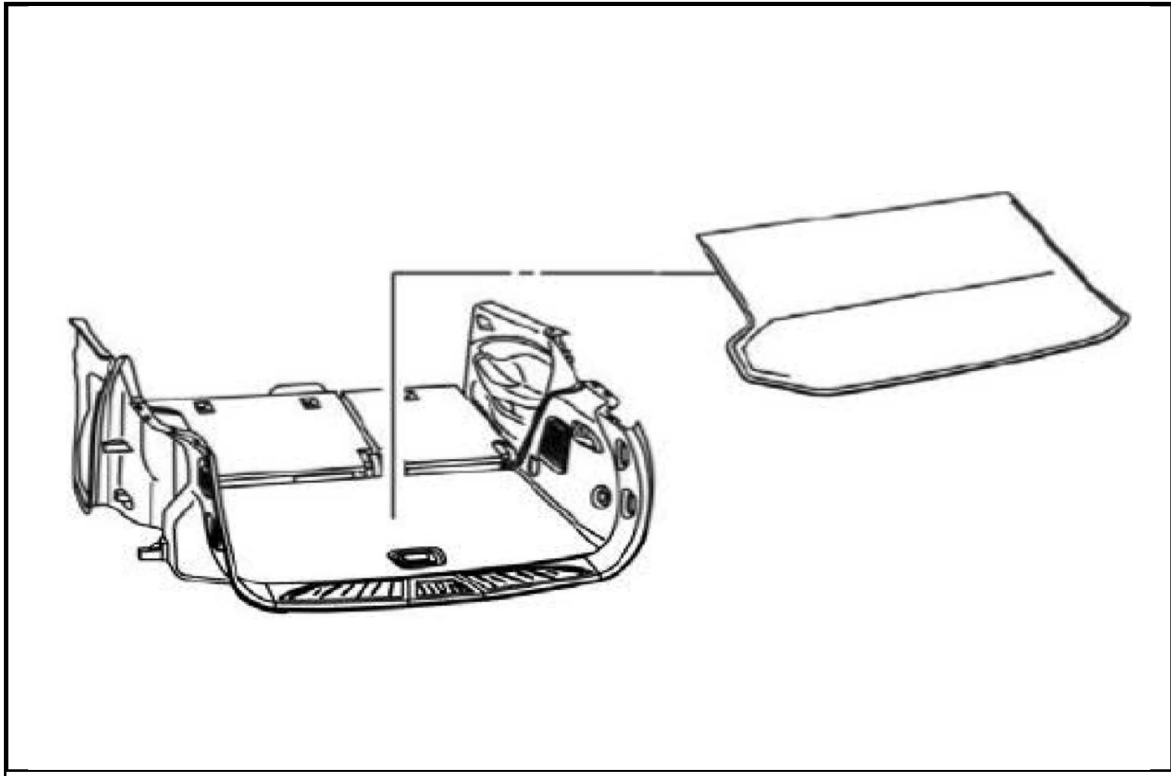
84587914

**Kit Contents**

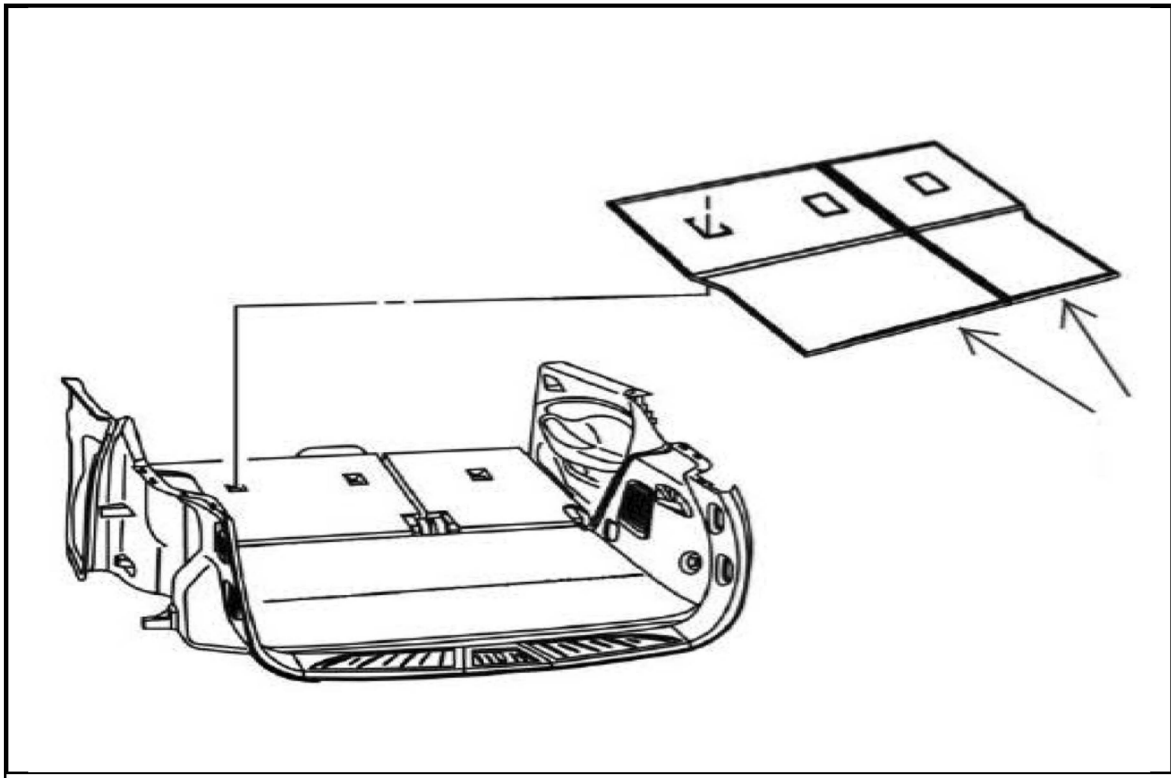
Qty	Description
1	Rear Compartment Floor Stowage Compartment Tray
1	Installation Instructions

**Procedure**

1. Slide second row seats full rearward and fold down to the lay flat position for ease of installation.

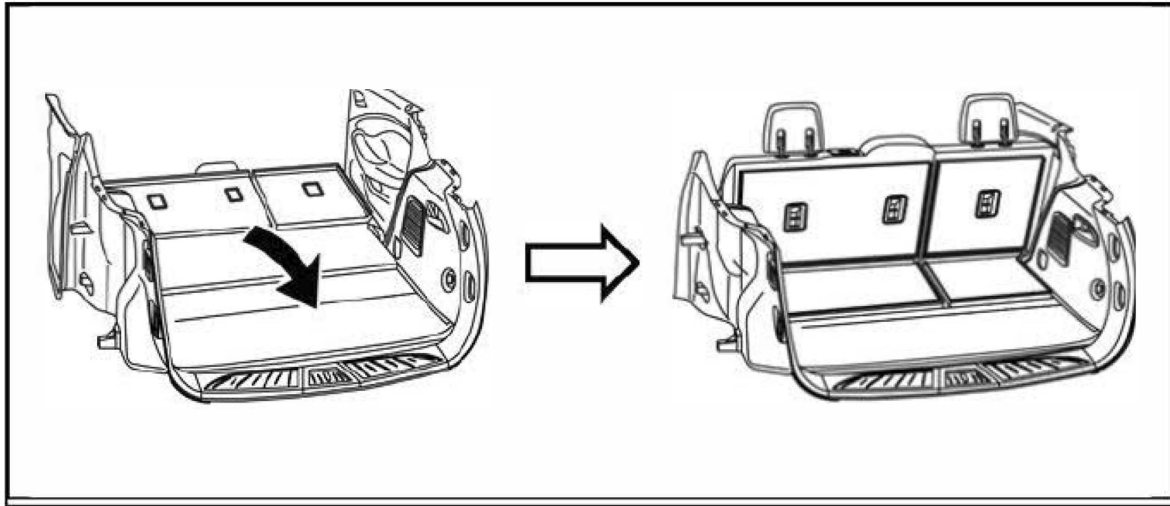


2. Position the rear compartment floor storage compartment tray onto the load floor. Use the periphery of rear cargo floor piece to align part.



**Note:** The bottom portion of the seatback pieces lay underneath the load floor piece and slides as the seats are folded and raised.

3. Position the two seatback pieces by aligning the tether opening to the tether anchor on the seat and apply pressure to the areas where the Velcro patches are located.



4. Put second row seats into upright position.