

Front Grille Package Installation (Instruction ID: 84638614)

Installation Instructions Part Number

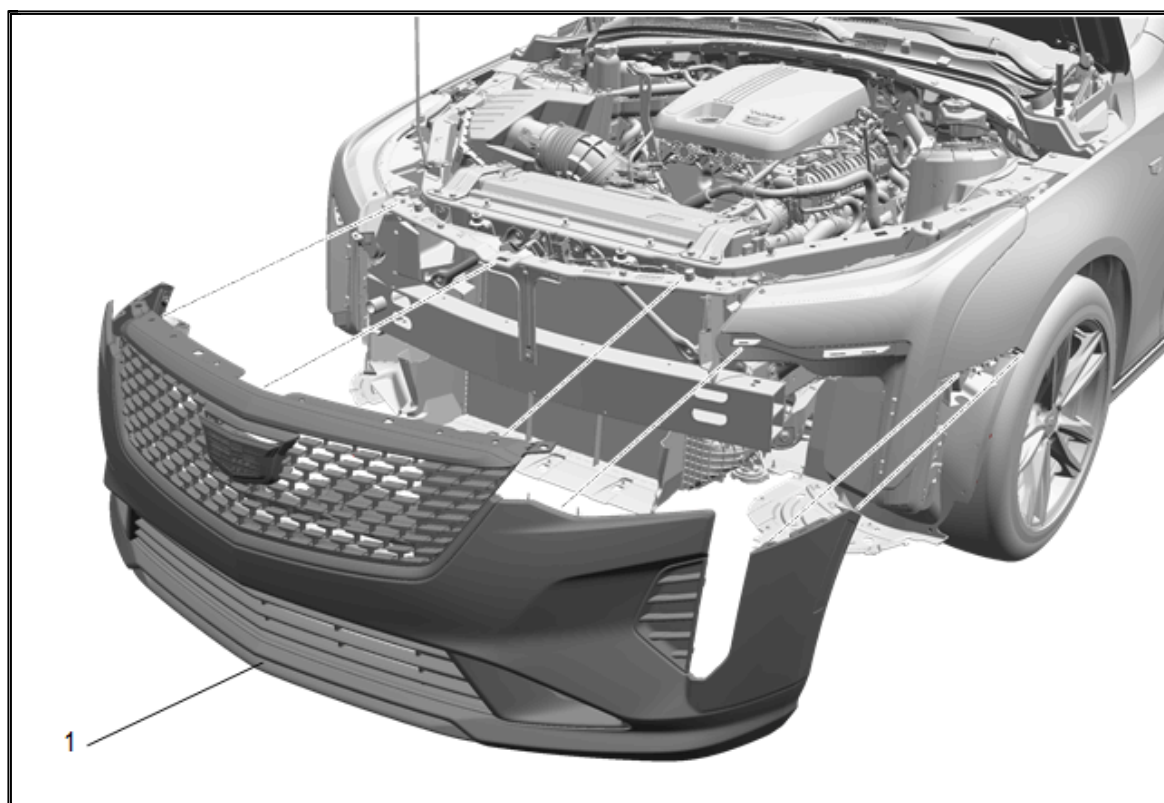
84638614

Kit Contents

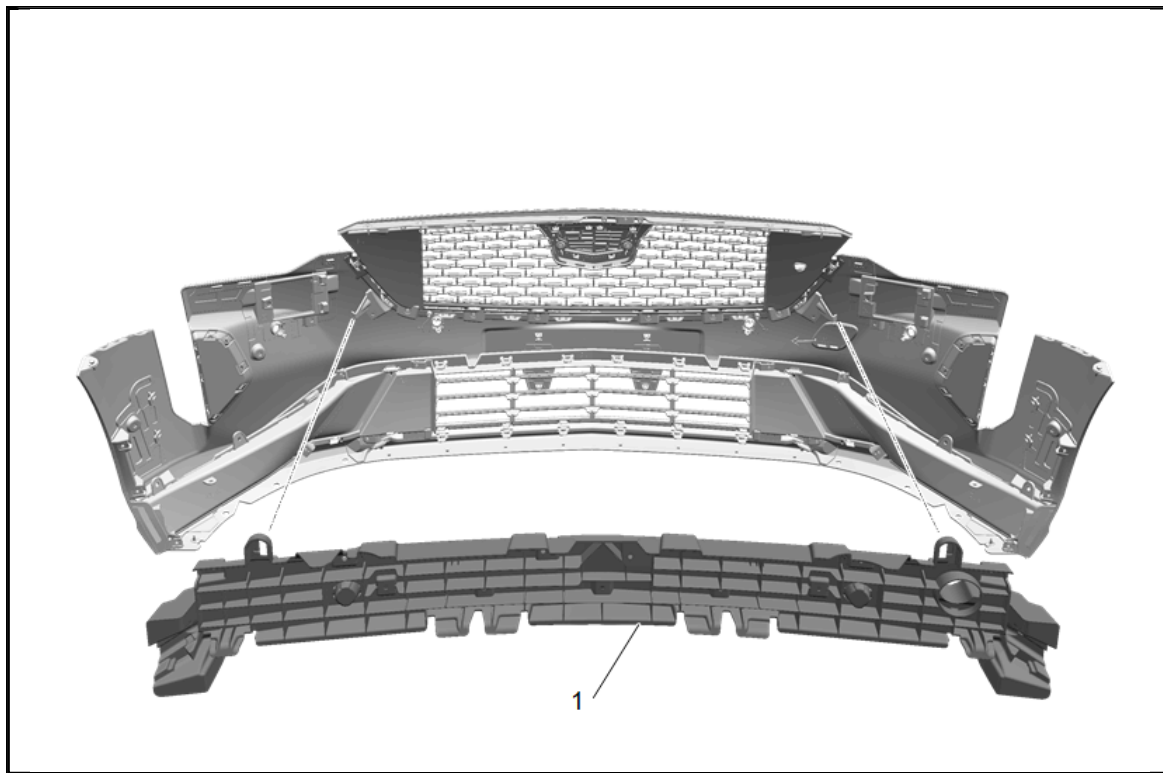
Qty	Description
1	Front Grille
1	Installation Instructions

Removal Procedure

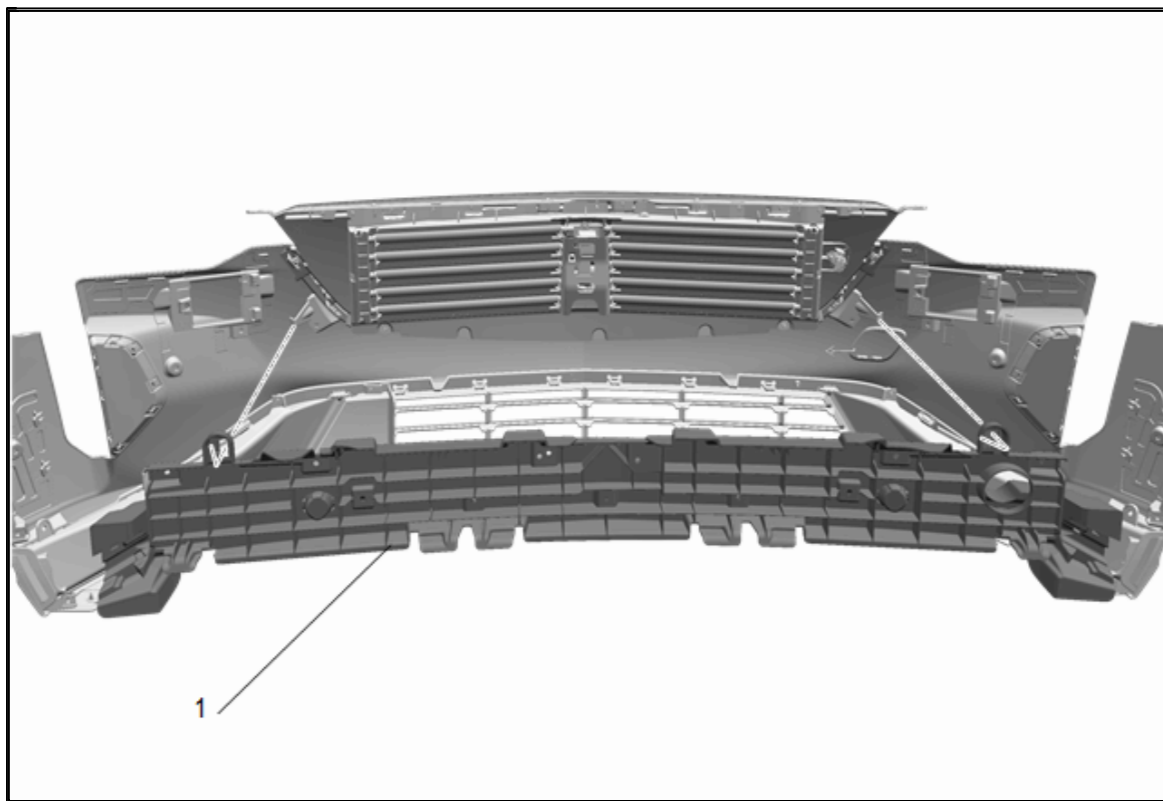
Front Grille Removal



1. Front Bumper Fascia (1) » Remove — [Front Bumper Fascia Removal and Installation](#)
2. Reposition the fascia wiring harness.
3. Remove the energy absorber.

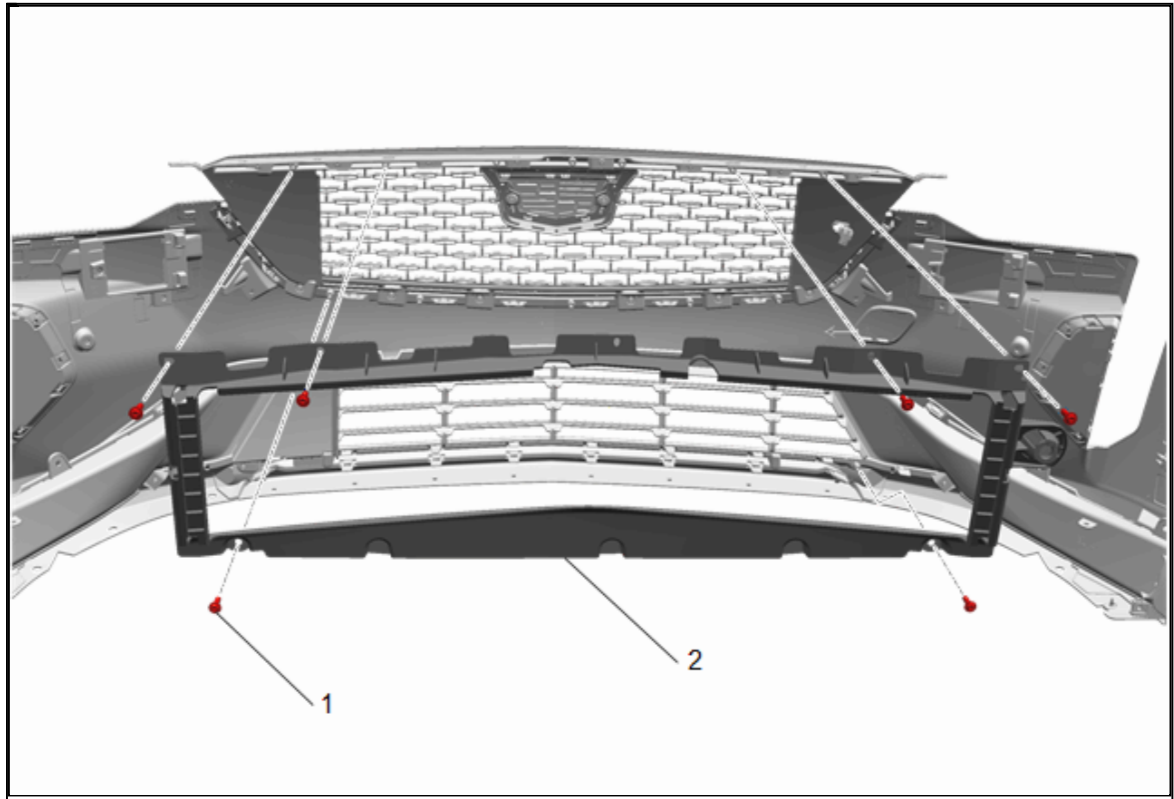


3.1. If equipped with shutter frame: Release the retainer tabs on the front bumper fascia and pull the energy absorber (1) from the front bumper fascia.



3.2. If equipped with shutter: Release the retainer tabs on the front bumper fascia and pull the energy absorber (1) from the front bumper fascia.

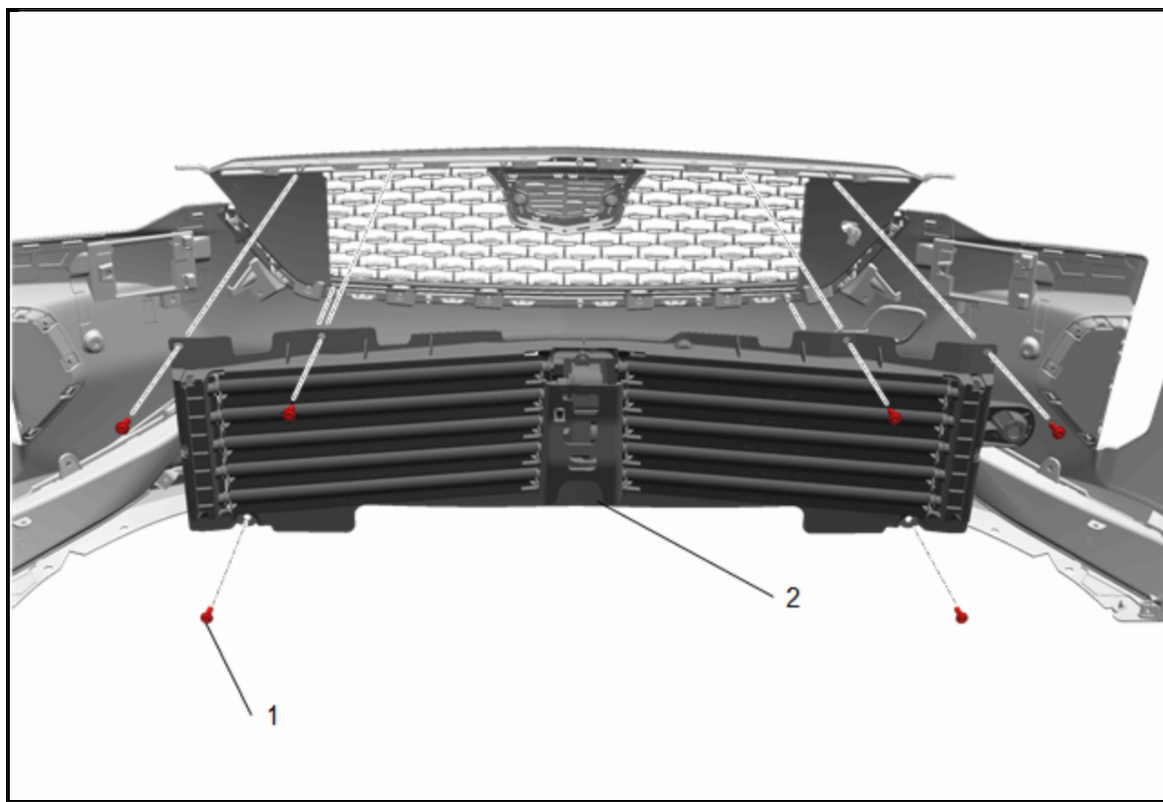
4. Remove shutter frame, if equipped:



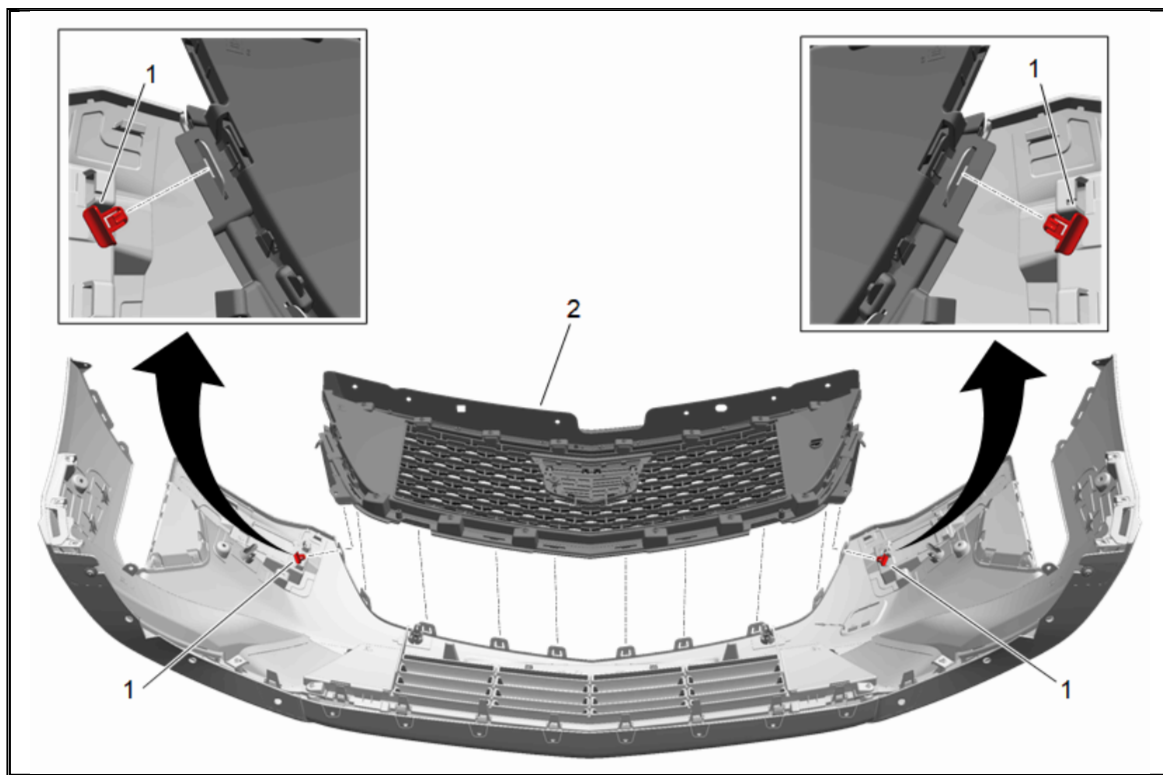
4.1. Front Bumper Shutter Bolt (1) » Remove [6x]

4.2. Front Bumper Shutter Frame (2) » Remove

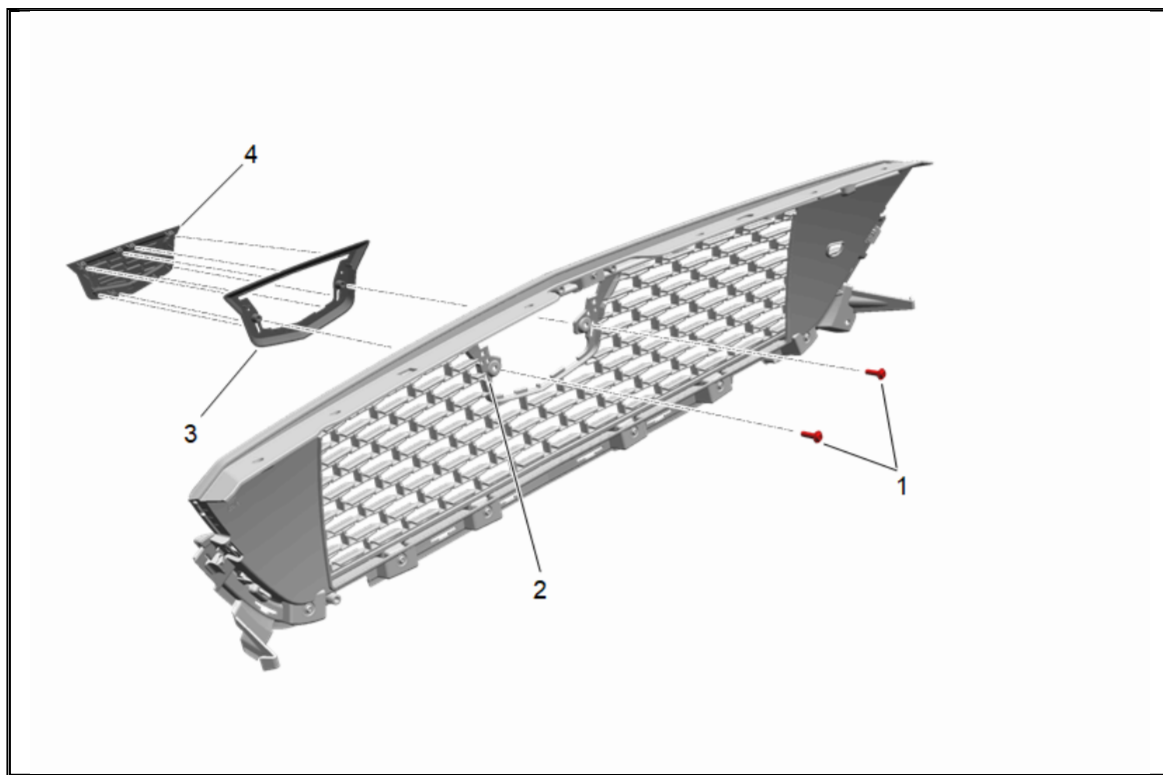
5. Remove shutter, if equipped:



- 5.1. Front Bumper Shutter Bolt (1) » Remove [6x]
- 5.2. Front Bumper Shutter (2) » Remove
6. Remove the air ambient sensor from the grille.



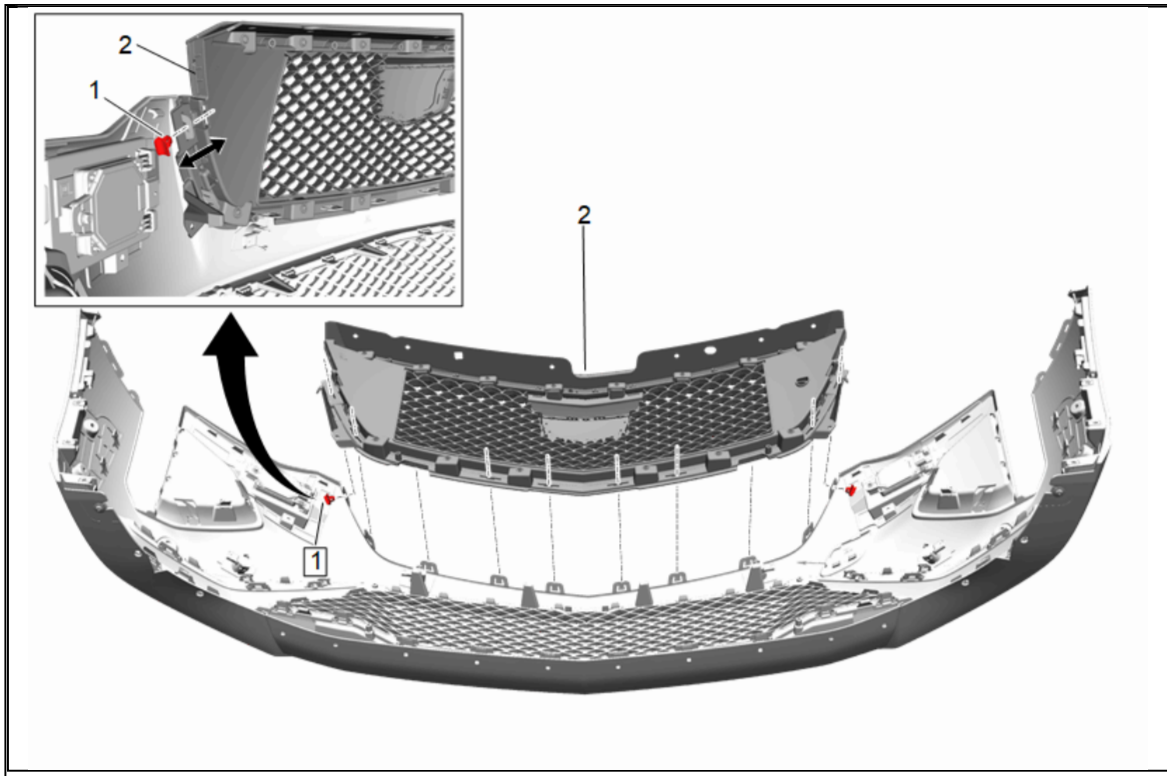
7. Front Grille Clip (1) » Remove [2x]
8. Release the front bumper fascia front grille retaining tabs.
9. Front Grille (2) » Remove



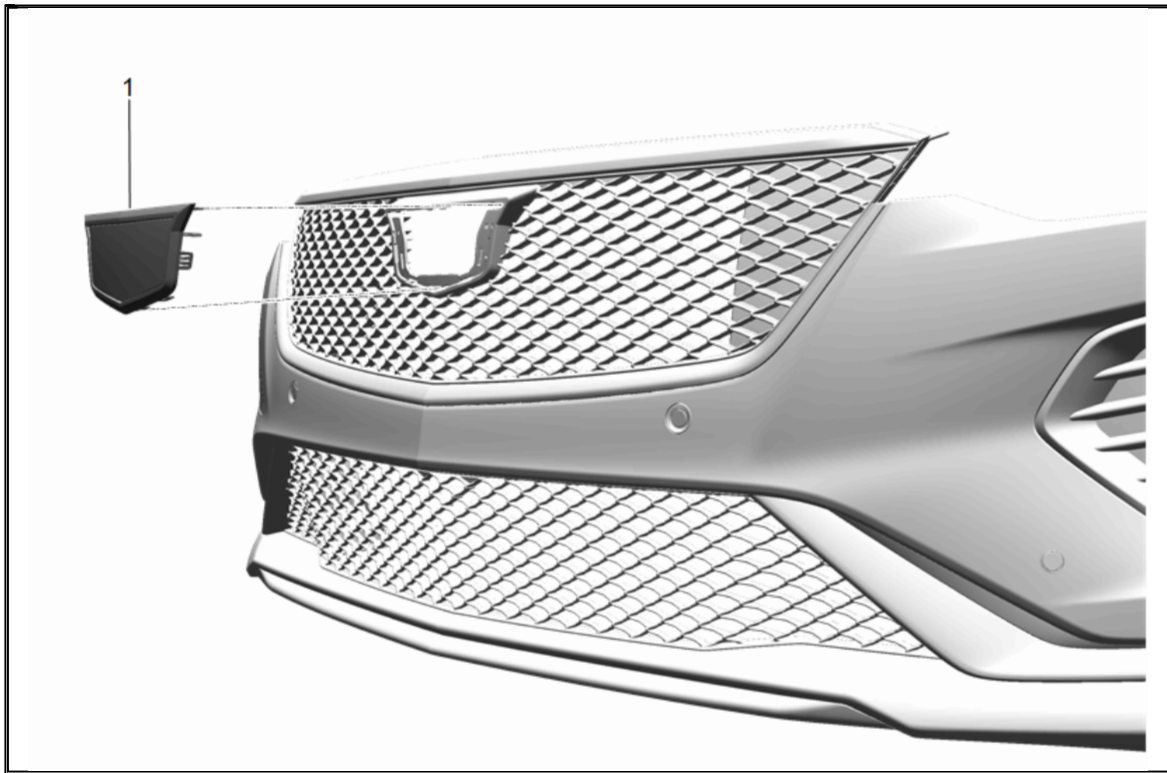
10. Remove the screws (1) securing the emblem adaptor (3) with emblem to the front grille (2).
11. Remove the emblem adaptor (3) with emblem from the front grille (2).
12. Remove the front grille emblem (4) from the emblem adaptor by disengaging the retaining tabs.

Installation Procedure

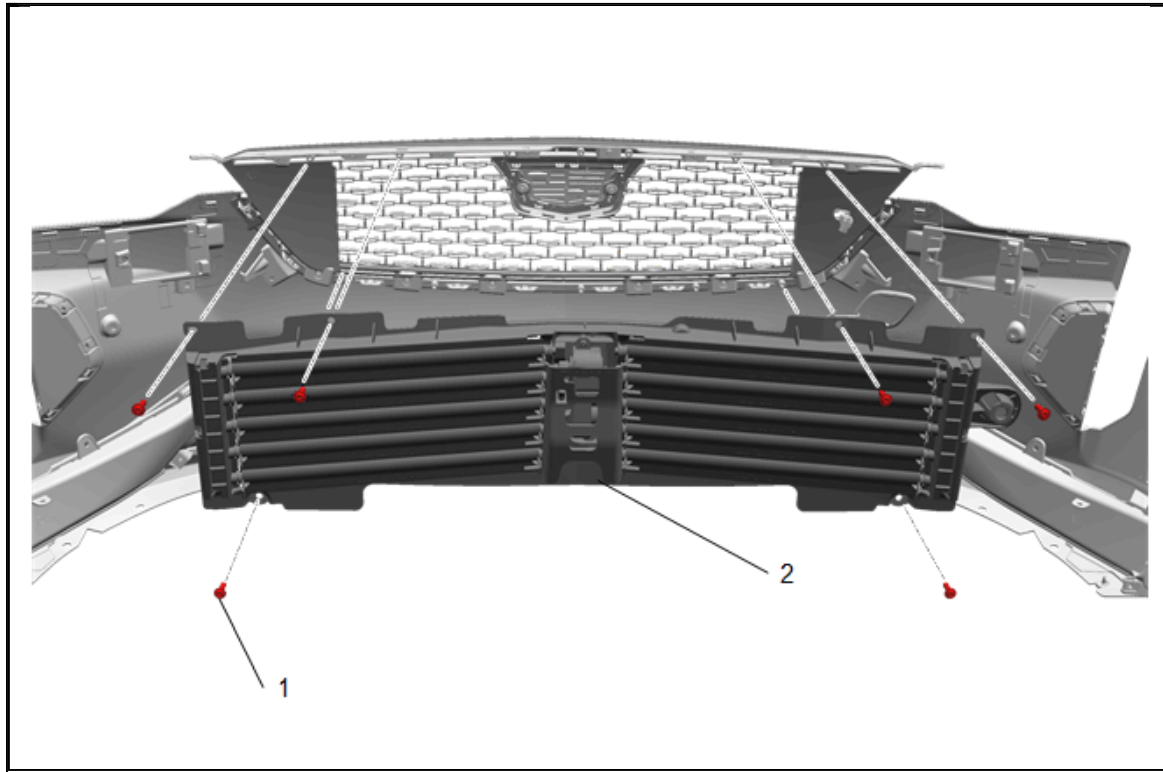
Install New Front Grille



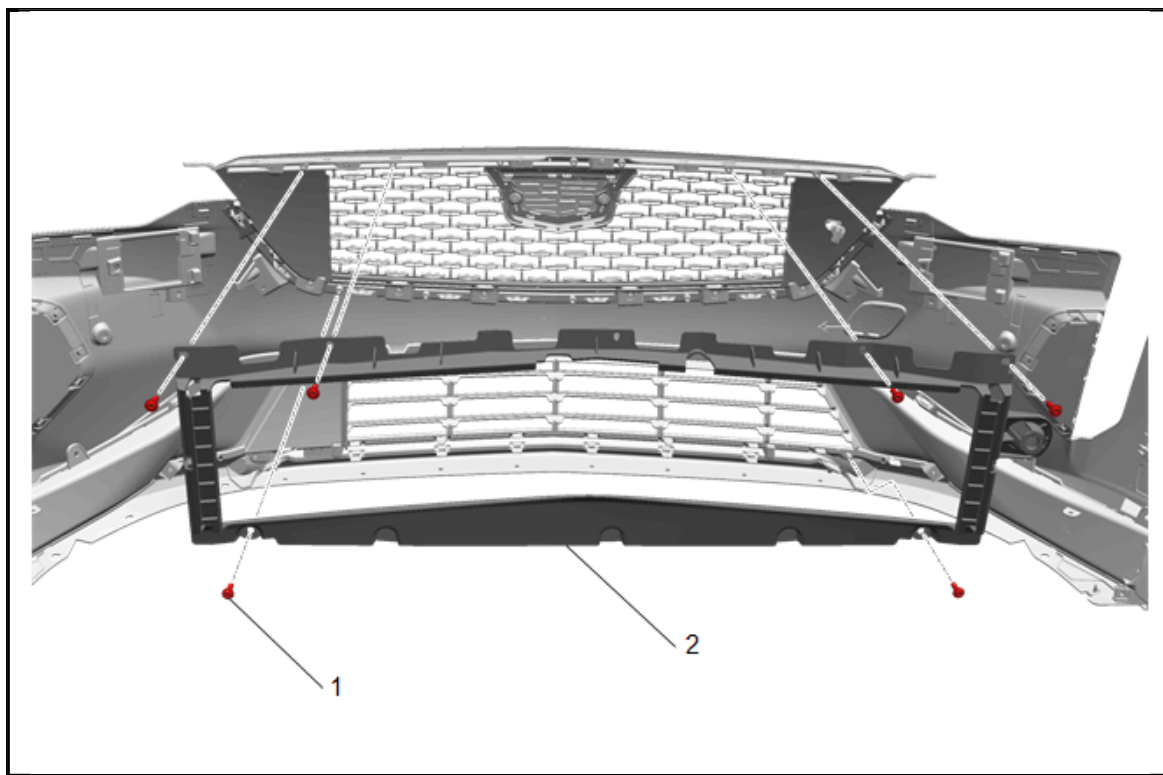
1. Front Grille (2) » Install
2. Front Grille Clip (1) » Install [2x]



3. Front Grille Emblem/Nameplate (1) » Install
4. Reinstall the air ambient sensor to the new grille.
5. Reinstall front bumper shutter, if equipped:



- 5.1. Front Bumper Shutter (2) » Install
Caution: Refer to [Fastener Caution](#).
- 5.2. Front Bumper Shutter Bolt (1) Install and tighten [6x] — [Fastener Specifications](#)
6. Reinstall front bumper shutter frame, if equipped:

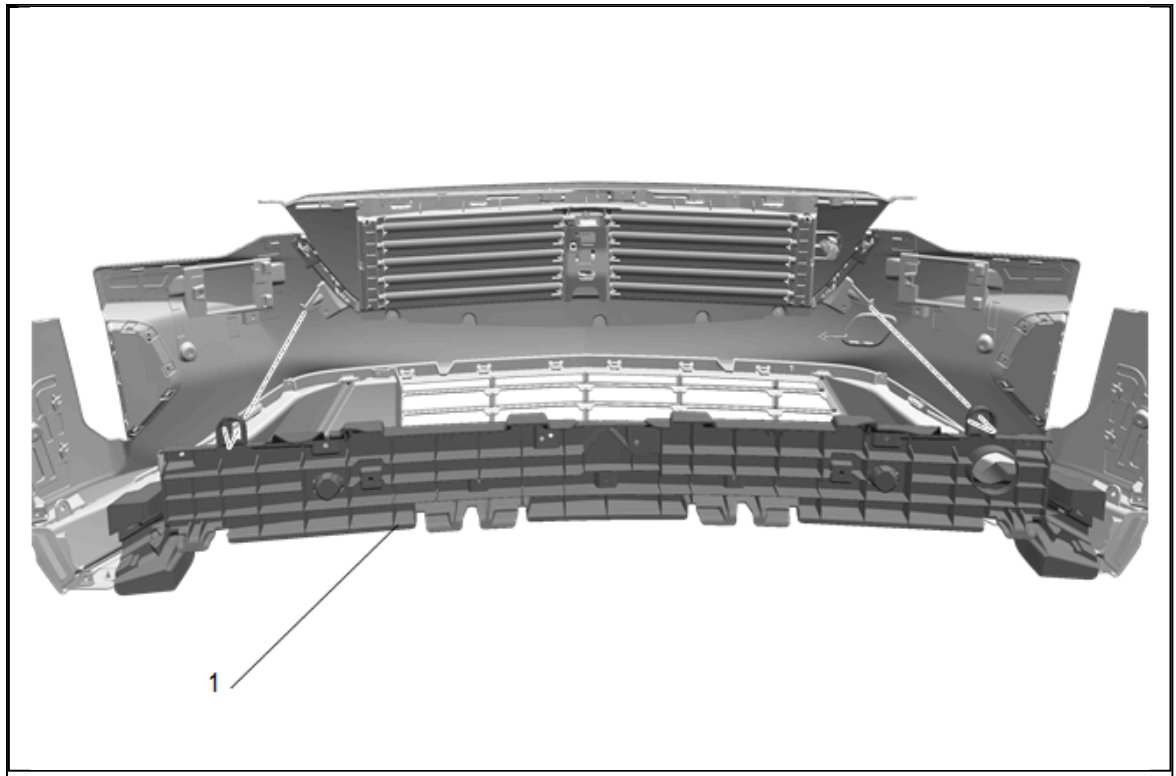


6.1. Front Bumper Shutter Frame(2) » Install

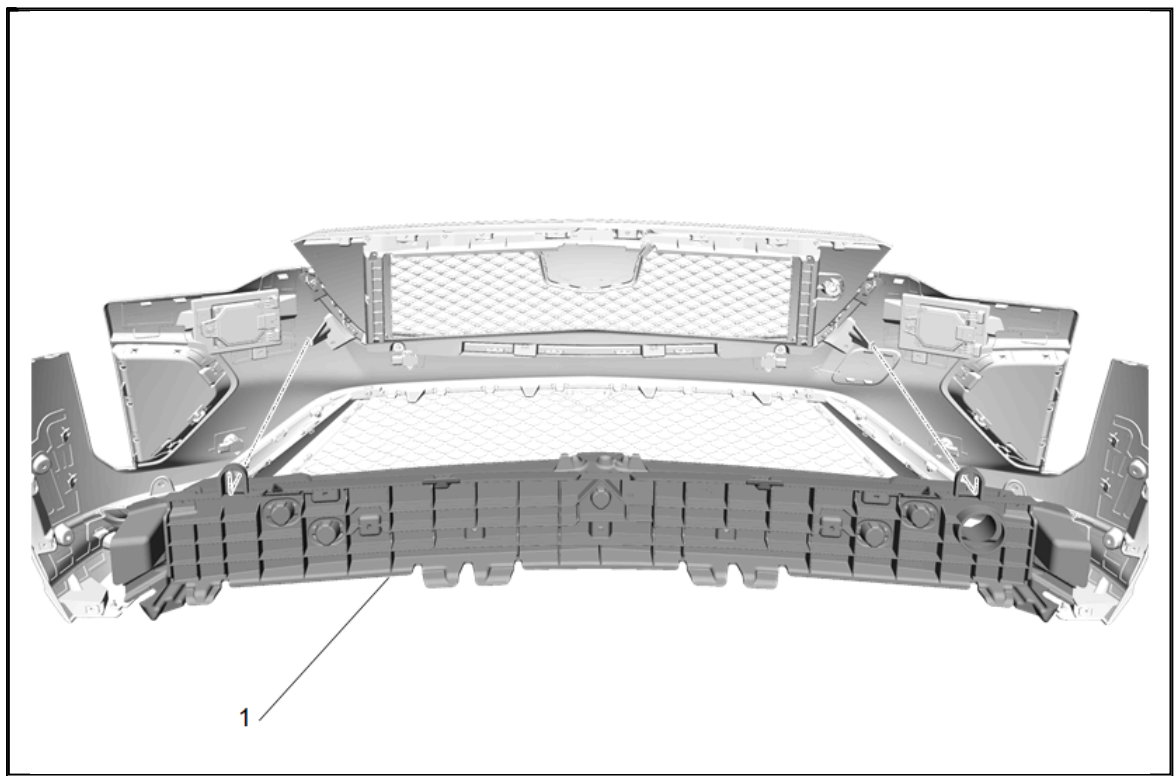
Caution: Refer to [Fastener Caution](#).

6.2. Front Bumper Shutter Bolt (1) Install and tighten [6x] — [Fastener Specifications](#)

7. Reinstall front bumper fascia energy absorber:

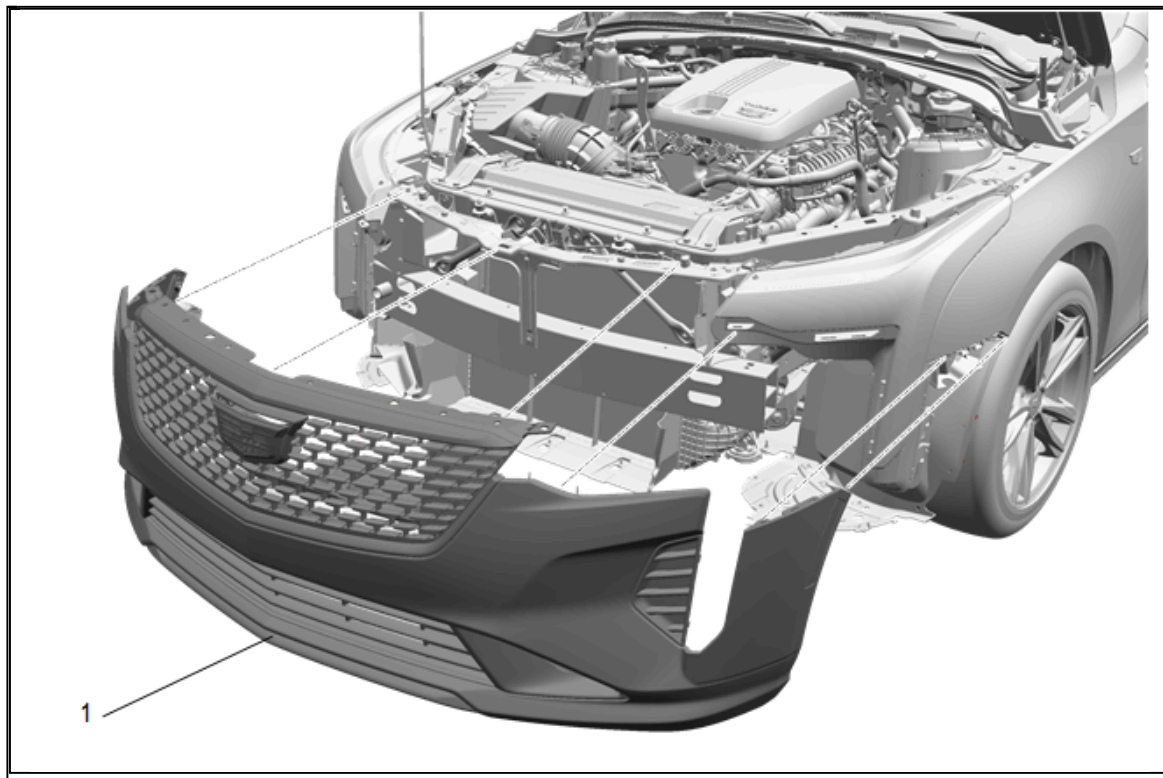


- 7.1. If equipped with front bumper shutter: Front Bumper Fascia Energy Absorber (1) Install
- 7.2. Position the wiring harness.



7.3. If equipped with front bumper shutter frame: Front Bumper Fascia Energy Absorber (1)
Install .

7.4. Position the wiring harness.



8. Front Bumper Fascia (1) » Install [Front Bumper Fascia Removal and Installation](#)