

# Cargo Lamp Kit Installation

## Installation Instructions Part Number

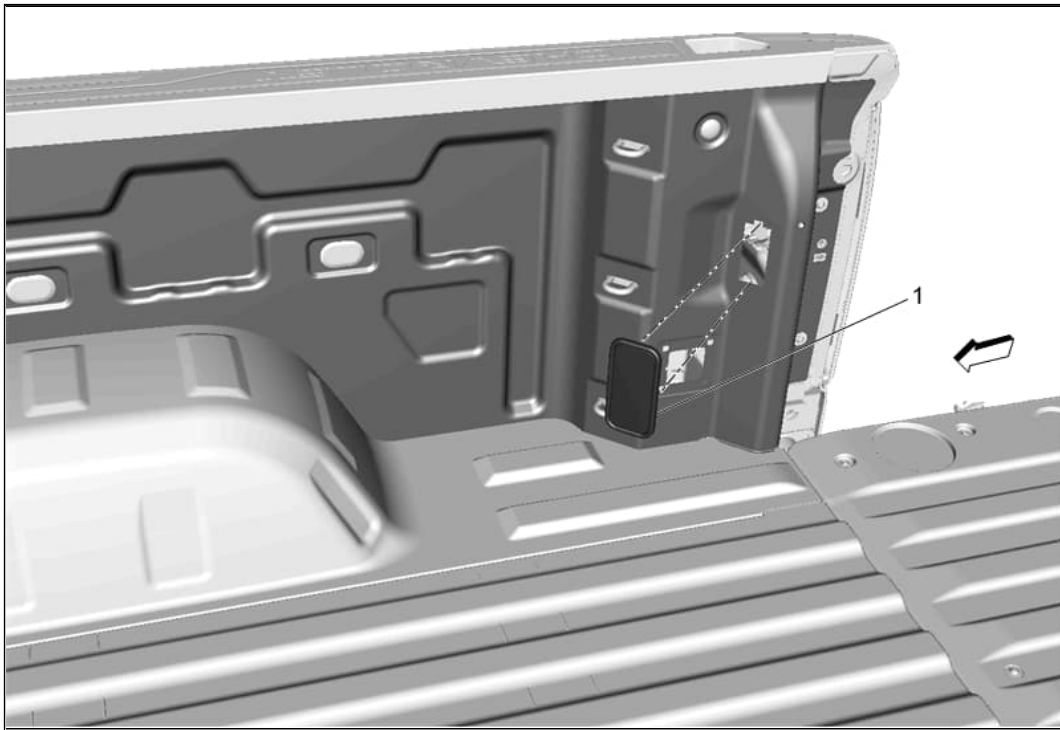
84659239

### Kit Contents

Qty	Description
2	Cargo Lamp
1	Installation Instructions

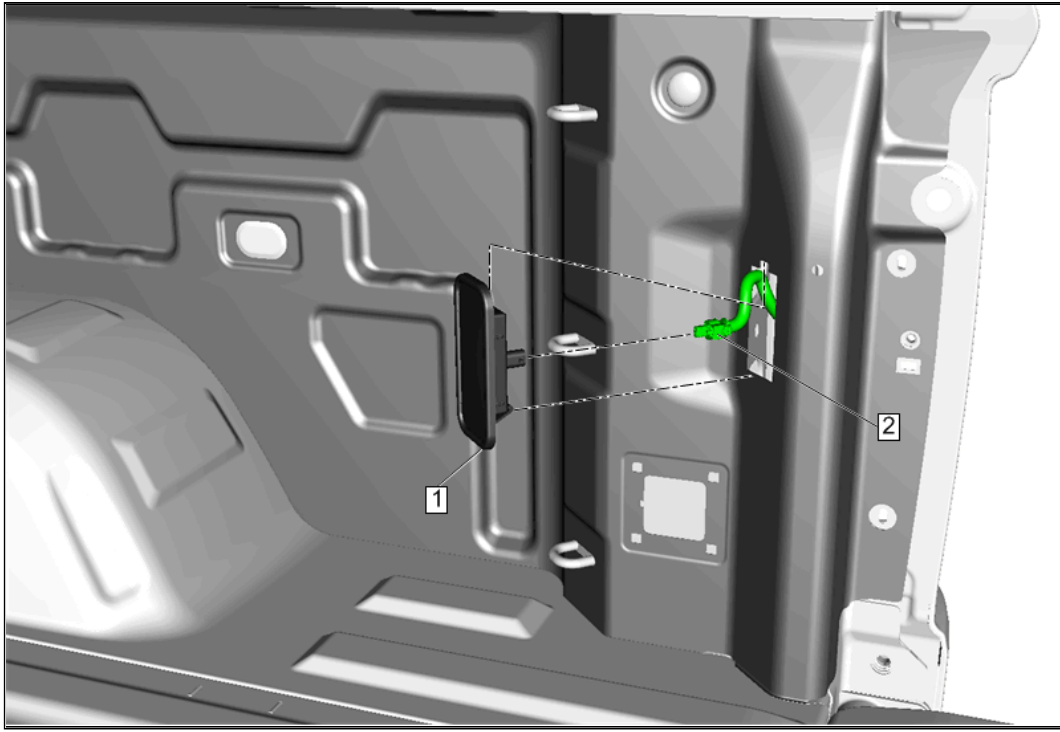
### Procedure

1. Disconnect negative battery cable. Refer to Vehicle Service Manual.
2. Open tailgate.



3. Remove the cargo lamp cover (1). Repeat for other side.
4. Remove electrical connector from the back of the cargo lamp covers.

**Note:** Cargo lamp covers can be discarded after successfully completing this installation.



5. Connect electrical connector (2) to cargo lamp (1), insert cargo lamp top side first. Repeat for other side.
6. Connect negative battery cable.

**Note:** Steps 7 and 8 apply to 2019 to 2022 Light Duty (&AMK&J21) and 2019 to 2023 Heavy Duty (&AMK) vehicles only. 2022 Light Duty vehicles (&J22) and following Light Duty model year vehicles do not require BCM calibration.

7. **For 2019 to 2022 LD (&AMK&J21) and 2019 to 2023 HD (&AMK) vehicles:** With the support of the Tech Line, download the new BCM calibration to support the new cargo lamp feature.

**Note:** The installation of this accessory cargo lamp package requires reprogramming of the Body Control Module. When reprogramming the Body Control Module, please call Techline Customer Support Center (TCSC) at (1-800-828-6860). TCSC will provide programming requirements and instructions. When calling TCSC, please ensure the specific vehicle VIN and authorization code is on hand.

8. **For 2019 to 2022 LD (&AMK&J21) and 2019 to 2023 HD (&AMK) vehicles:** Using the Scan Tool with a MDI, and (SPS-TIS2WEB), update the body control module (BCM) calibration file.
9. Test the function of cargo lamps.